



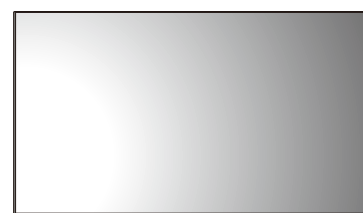
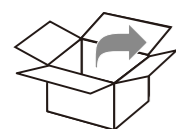
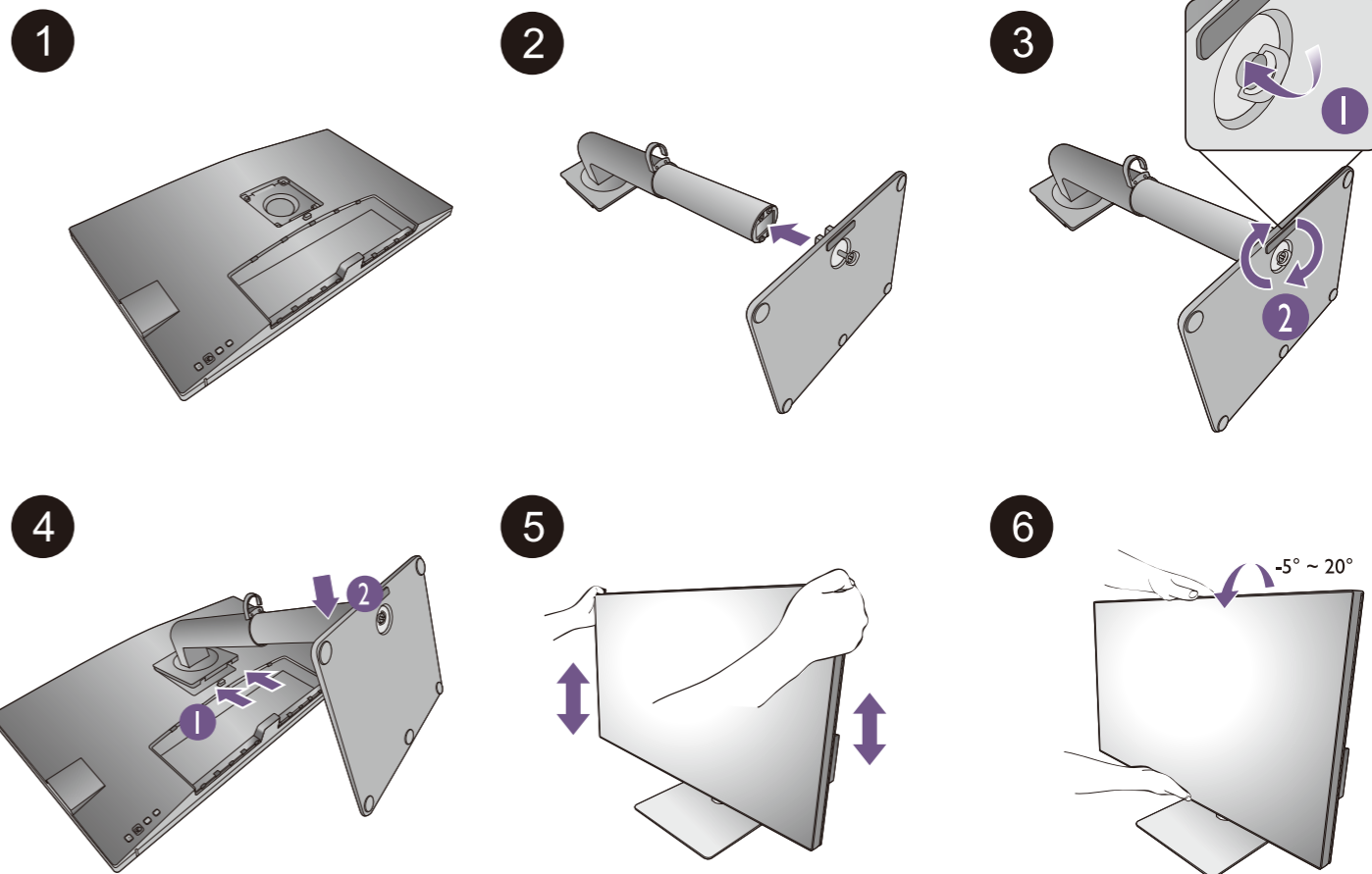
LCD Monitor Quick Start Guide

DesignVue Designer Monitor | PD Series



DN: PD20U-EQ-V0

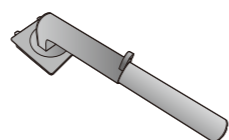
© 2020 BenQ Corporation. All rights reserved. Rights of modification reserved.



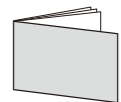
PD3220U



PD2720U



DP to mini-DP



USB



Regulatory Statements



Safety Instructions



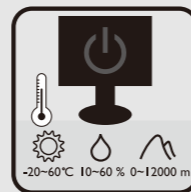
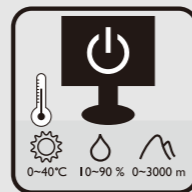
Thunderbolt™ 3



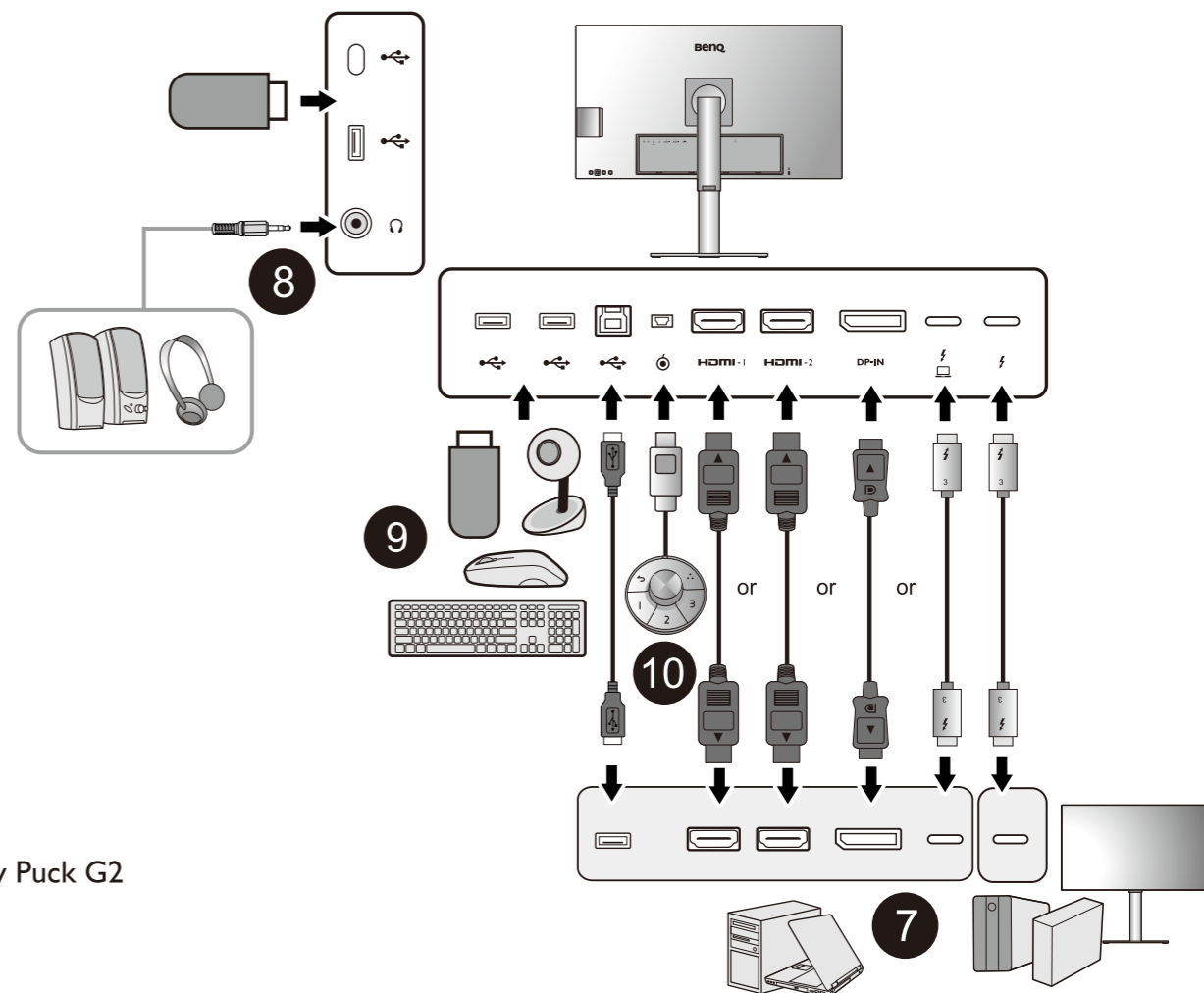
Hotkey Puck G2



USB-C™ (optional)



PD3220U

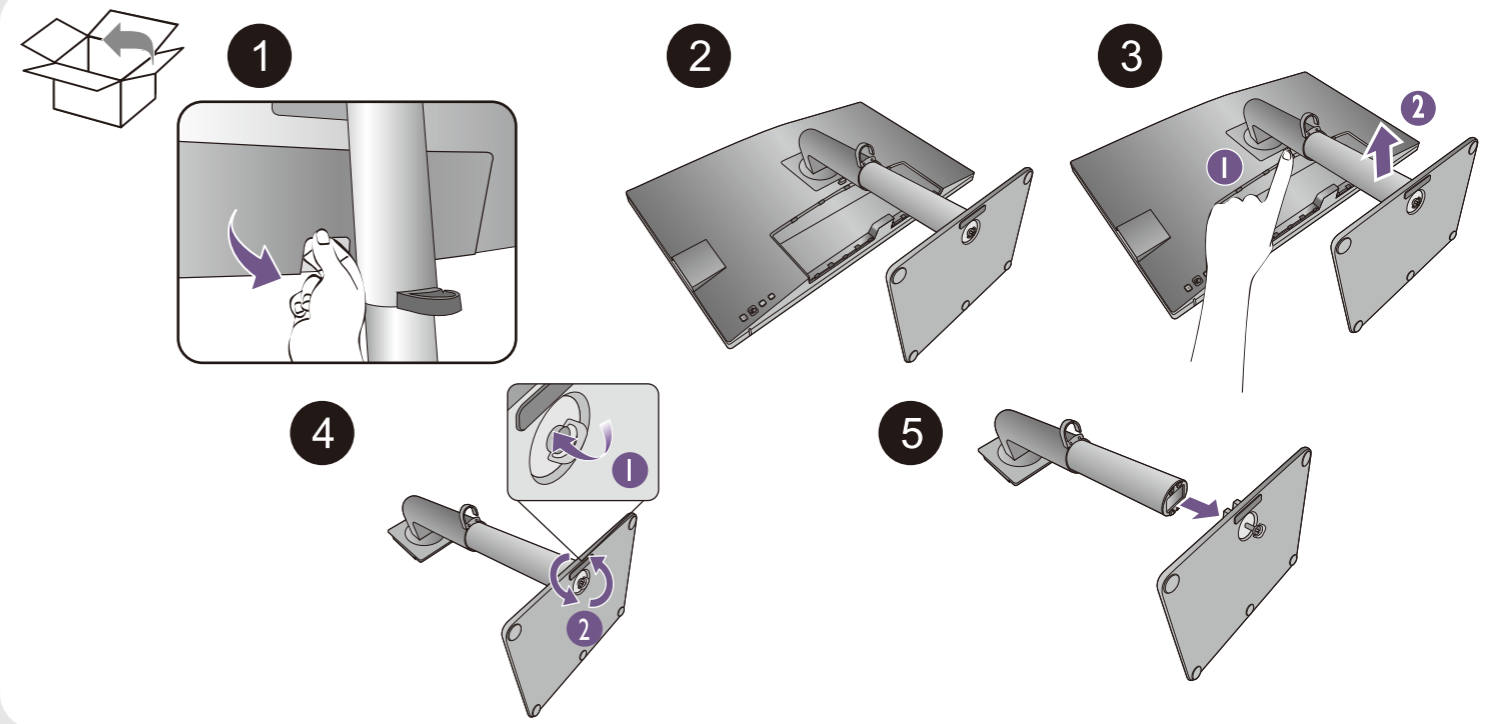
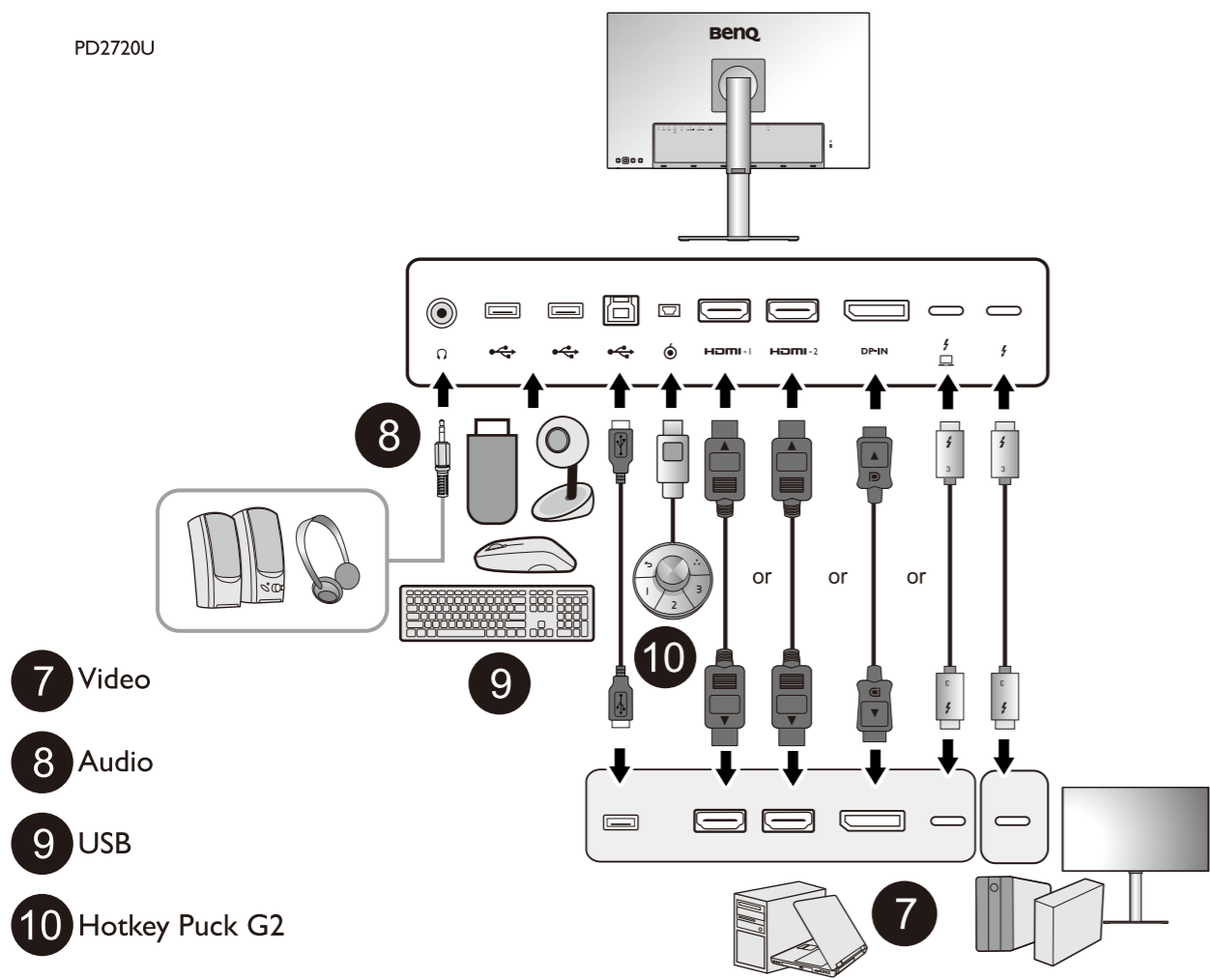


7 Video

8 Audio

9 USB

10 Hotkey Puck G2

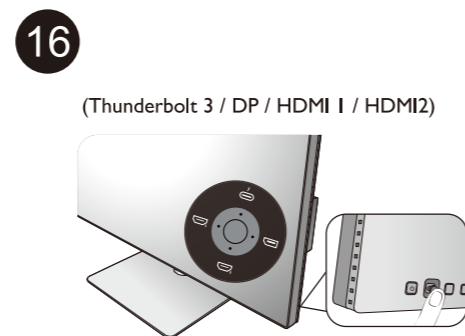
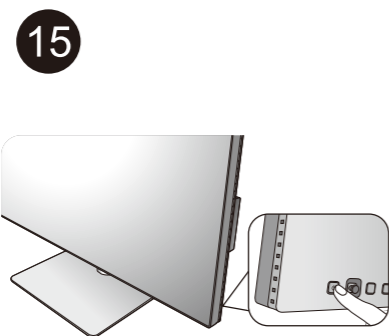
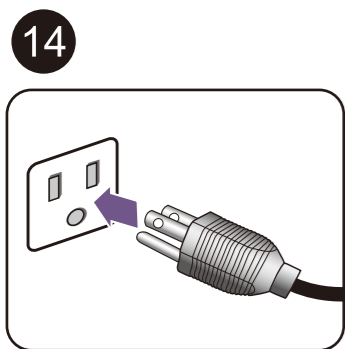
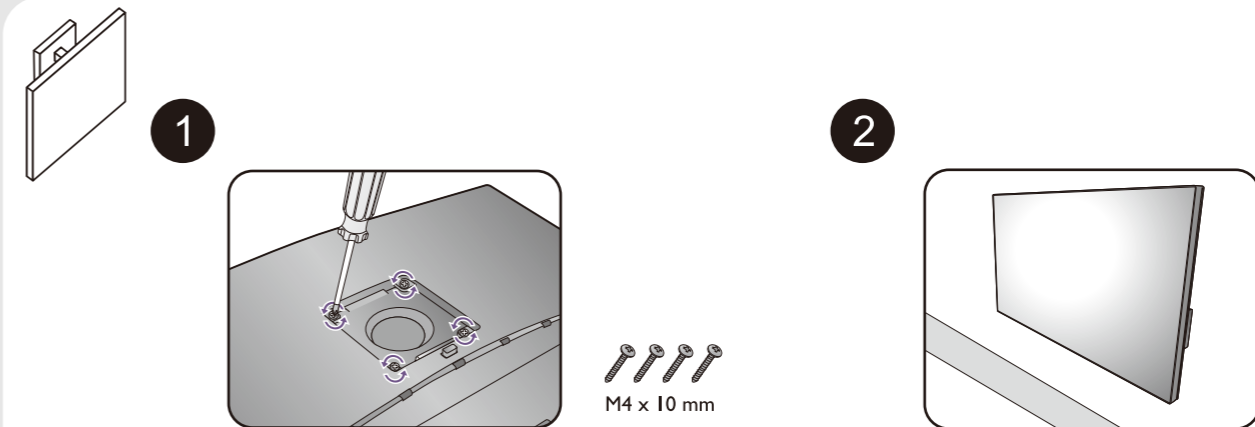
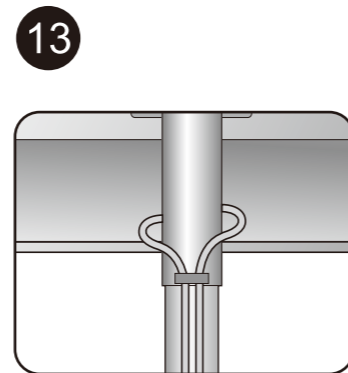
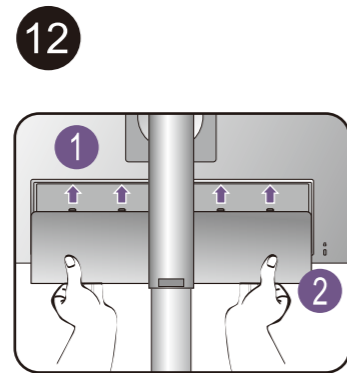
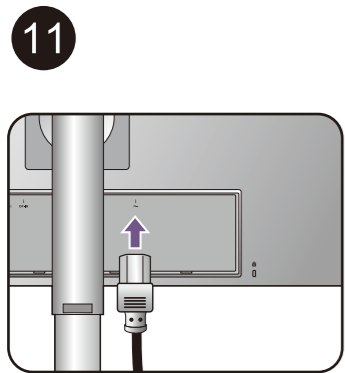


www.BenQ.com > Support > Download & FAQ > Model name > User Manual

For product support and more information.

ICC Sync

Hotkey Puck G2



Connecting multiple monitors (Thunderbolt™ 3 daisy chaining)

