

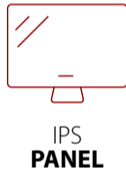
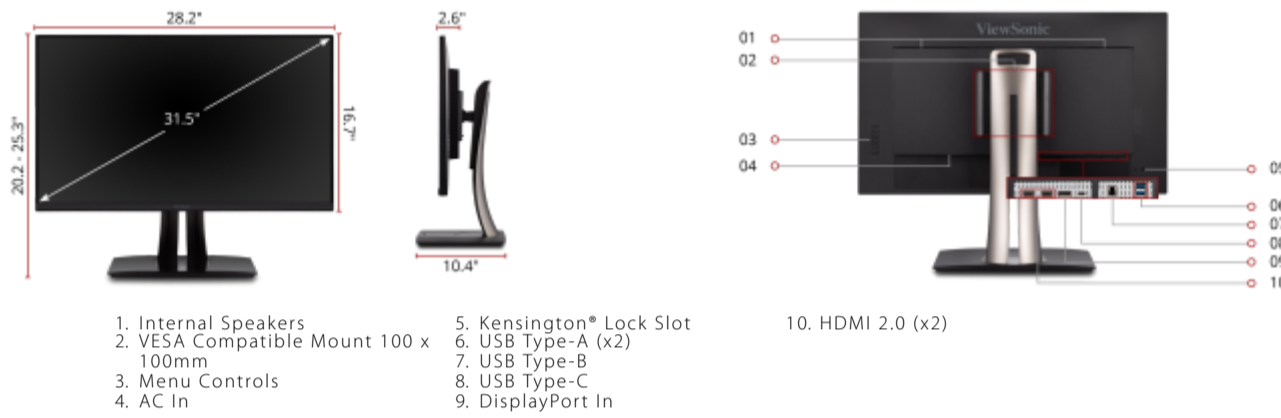
## Key Features

Pantone Validated Display | Designer Mode | Factory Calibrated |  
 vDisplayManager | Reduce Clutter with Single-Cable Solution



## Product Description

Engineered to deliver unmatched color accuracy crucial for professional applications, the ViewSonic® VP3256-4K UHD monitor displays your work with the vivid and lifelike color it deserves. With a SuperClear® IPS panel for 100% sRGB and a sleek 3-sided frameless design, the VP3256-4K provides a near-seamless viewing experience. The VP3256-4K is equipped with USB-C for single cable connectivity to deliver video, audio, and 60W of power delivery. To ensure precise, uniform color, each of our monitors is factory calibrated to deliver an amazing Delta E <2, so you can be confident what you see on screen is what your customers will see, as well.



### Contact Sales

- call: 888.881.8781
- email: [salesinfo@viewsonic.com](mailto:salesinfo@viewsonic.com)
- visit: [viewsonic.com](http://viewsonic.com)

**Display:**

Display Size (in.):	32
Viewable Area (in.):	31.5
Panel Type:	IPS
Resolution:	3840 x 2160
Resolution Type:	4K (3840x2160)
Static Contrast Ratio:	1,000:1
Dynamic Contrast Ratio:	20,000,000:1
Light Source:	LED
Brightness:	350 cd/m2
Colors:	1.07B
Color Space Support:	10 bit (8 bit + A-FRC)
Aspect Ratio:	16:9
Response Time (Typical GTG):	5ms
Viewing Angles:	178° horizontal, 178° vertical
Backlight Life (Hours):	30,000
Panel Surface:	Anti-Glare type, Hard-coating (3H), Haze 25%

**Compatibility:**

PC Resolution (max):	3840 x 2160
Mac® Resolution (max):	3840 x 2160

**Connector:**

USB Type A(2), USB Type B(1), USB Type C(1), HDMI 2.0 In(2), DisplayPort(1)

**Audio:**

Internal Speakers:	3W (x2)
--------------------	---------

**Power:**

Eco Mode (Conserve):	32W
Eco Mode (optimized):	39W
Consumption (typical):	46W
Consumption (max):	125W
Voltage:	100-240 VAC
Stand-by:	0.5W
Power Supply:	Internal

**Additional Hardware:**

Kensington Lock Slot:	1
-----------------------	---

**Controls:**

Physical Controls:	Key 1 (power), Key 2, Key 3, Key 4, Key 5 (favorite)
On Screen Display:	Input Select, Audio Adjust, ViewMode, Color Adjust, Manual Image Adjust, Setup Menu

**Operating Conditions:**

Temperature:	32-104° F (0 - 40° C)
Humidity (non-condensing):	20-90%

**Mount:**

VESA Compatible:	100 x 100 mm
------------------	--------------

**Video Signal:**

Frequency Horizontal:	TMDS, PCI-E, Micro-Packet: 15 ~ 136 KHz
Frequency Vertical:	TMDS, PCI-E, Micro-Packet: 24 ~ 75 Hz

**Ergonomics:**

Height Adjust:	130 mm / 5.1 in
Swivel:	120°
Pivot (Right/Left):	90° / 90°
Tilt (Forward/Back):	5° / 21°

**Weight (imperial):**

Net (lbs):	24.0
Net Without Stand (lbs):	15.8
Gross (lbs):	33.7

**Weight (metric):**

Net (kg):	10.9
Net Without Stand (kg):	7.2
Gross (kg):	15.3

**Dimensions (imperial) (WxHxD):**

Packaging (in.):	33.1 x 20.5 x 12.8
Physical (in.):	28.2 x 20.2~25.4 x 10.4
Physical Without Stand (in.):	28.2 x 16.7 x 2.6

**Dimensions (metric) (WxHxD):**

Packaging (mm):	840.0 x 520.0 x 326.0
Physical (mm):	715.0 x 514.0~644.0 x 265.0
Physical Without Stand (mm):	715.0 x 423.0 x 66.0

**General:**

Regulations: cTUVus, FCC-B, ICES003, CEC, MX-CoC, Mexico Energy

PACKAGE CONTENTS: VP3256-4K, Power Cable, USB-C Cable, HDMI cable, DisplayPort cable, USB-A/B Cable

Recycle/Disposal: Please dispose of in accordance with local, state or federal laws.

Warranty: Three-year limited warranty on parts, labor and backlight

UPC: 766907014532

**Accessories:**

LCD-MA-001, MH3251