



PANACAST 50 VIDEO BAR SYSTEM

Meeting Room Set-up Guide



Expert collaboration from the experts in collaboration

Ready for more conducive collaboration?

The PanaCast 50 Video Bar System combines our PanaCast 50 video bar - featuring world-leading professional audio and a unique 180° field of view - with a state-of-the-art Android™ processor, for future-ready, no-PC-needed instant collaboration.

Tap into easier meetings

The award-winning PanaCast 50 Video Bar System makes every meeting run smoothly. The PanaCast Control tablet connects to the video bar over the network using a single Power over Ethernet (PoE) connection. The Passive Infrared (PIR) sensor in the PanaCast Control tablet automatically wakes the system up when someone enters the room for instant meeting readiness. And the touchscreen tablet features an ultra-fast chipset, enabling people to join and end meetings with one quick tap.

Keep their focus on what matters

Thanks to intelligent features such as Dynamic Composition, Intelligent Zoom, and Virtual Director,* everyone can follow all of the action more easily, for more focused meetings that are guaranteed to grab more of their attention.

*Requires system admin set-up to switch mode

Safety first

As well as on-device encryption, wired ethernet and WiFi connection* options keep your networks and data ultra-secure and meet Microsoft's strict security requirements. And because it's configurable using your platform device manager, you can access security updates and set things up remotely without setting foot in the room.

*This feature will be coming soon but is not available for first shipping.

Simple installation

Our easy-to-install design will fit neatly into your existing room setup, with a streamlined design that's fast, flexible, and clean to install, with secure minimal cabling and multiple mounting options, including wall mount, table stand, or screen mount.*

*Table stand and screen mount sold separately

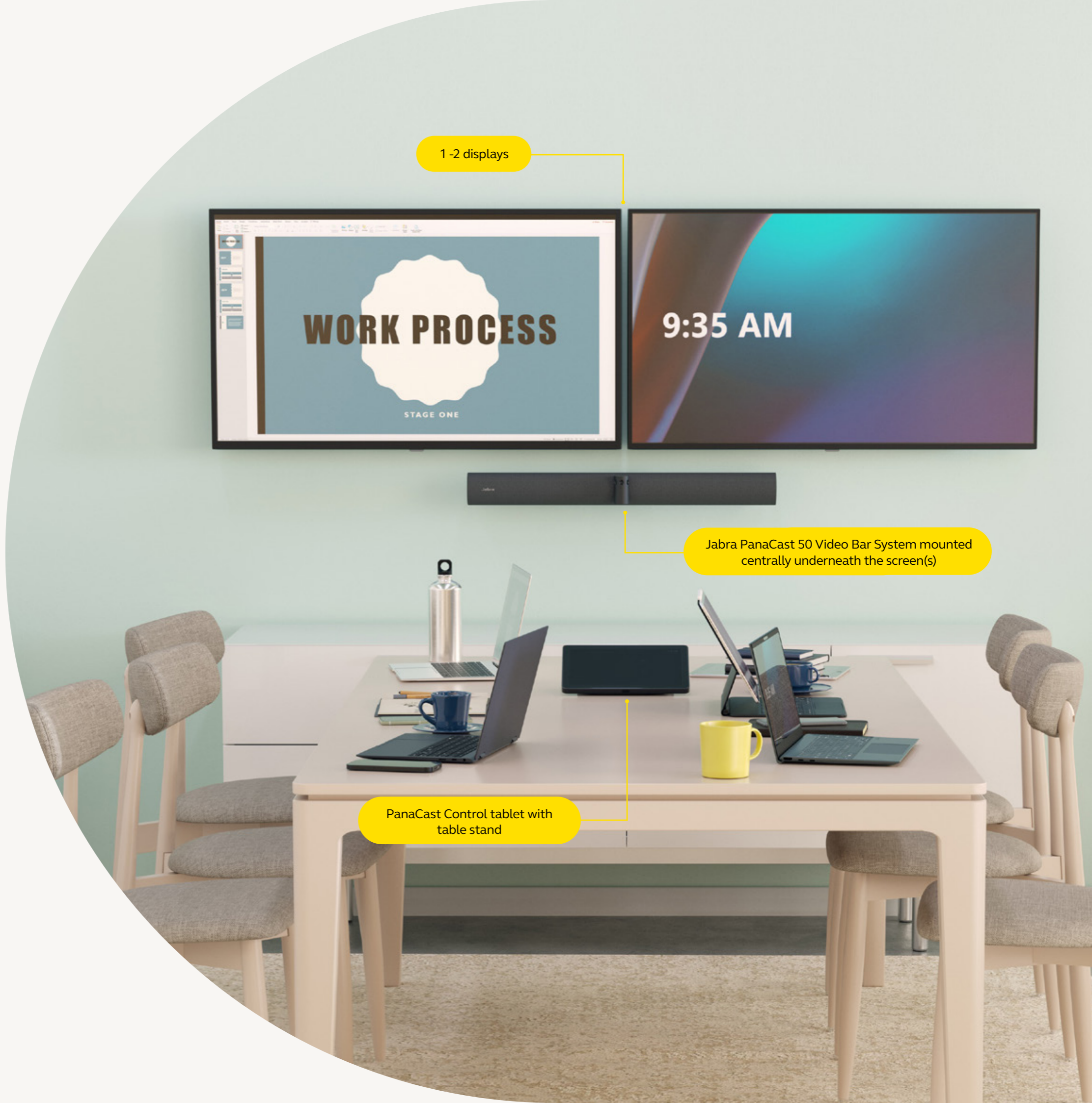
Room usage insights

The PanaCast 50 Video Bar System also contains environmental sensors which monitor and share air quality data*, to keep collaboration spaces in peak meeting-ready condition.

*Information available through Teams Admin Center and Zoom Device Management.

Microsoft Teams Rooms and Zoom Rooms certified

The PanaCast 50 Video Bar System is certified to meet the strict requirements of Microsoft Teams Rooms and Zoom Rooms, to give the best possible user experience.

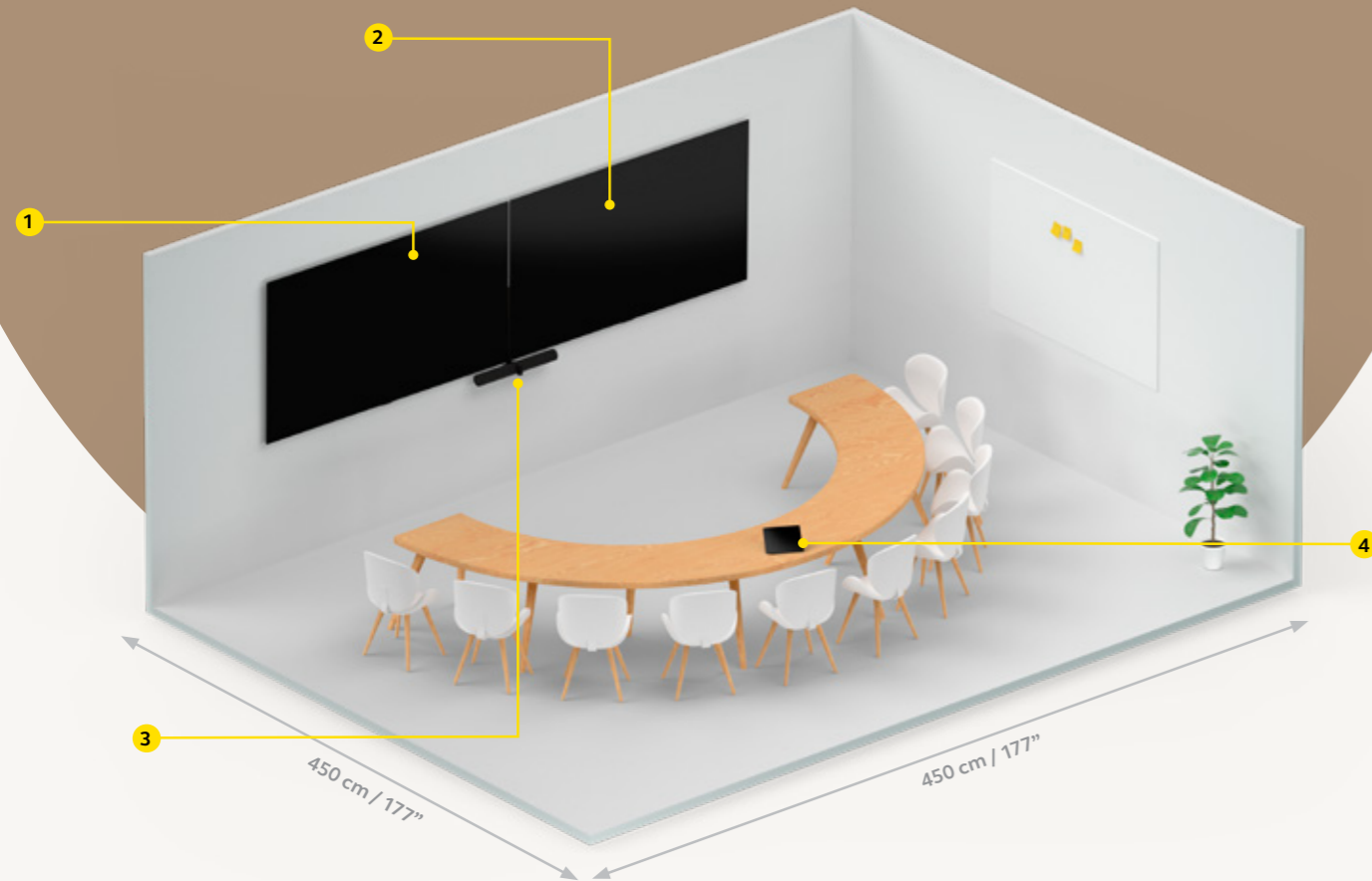


1 -2 displays

Jabra PanaCast 50 Video Bar System mounted centrally underneath the screen(s)

PanaCast Control tablet with table stand

The setup for your **medium meeting room**



OPTIMIZED EQUIPMENT PLACEMENT IN A MEDIUM MEETING ROOM

Two wall-mounted screens: **recommended screen size: 140cm / 55"**

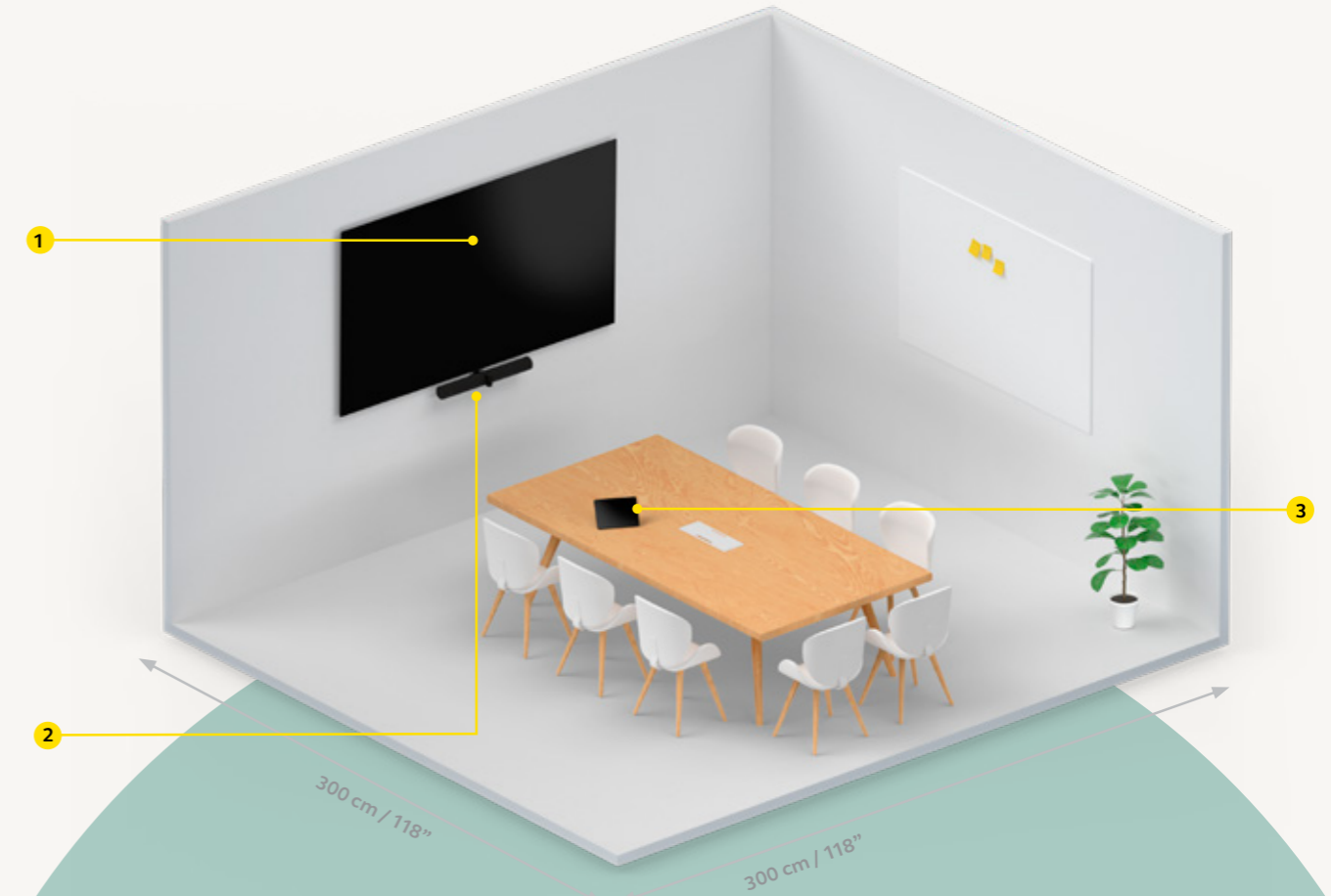
- 1 + 2**
- For optimal viewing of screen(s), recommended placement of first seat is **minimum 90cm / 36" away**
 - Recommended distance from bottom of screen to floor: **height 100cm/39"**

Video bar with **180° field-of-view**

- 3**
- Place centrally underneath screen(s)
 - **8cm / 3.2"** from top of wall mount to bottom of screen

- 4** **Tablet** with table mount

The setup for your **small meeting room**



OPTIMIZED EQUIPMENT PLACEMENT IN A SMALL MEETING ROOM

One wall-mounted screen: **Recommended screen size: 140cm / 55"**

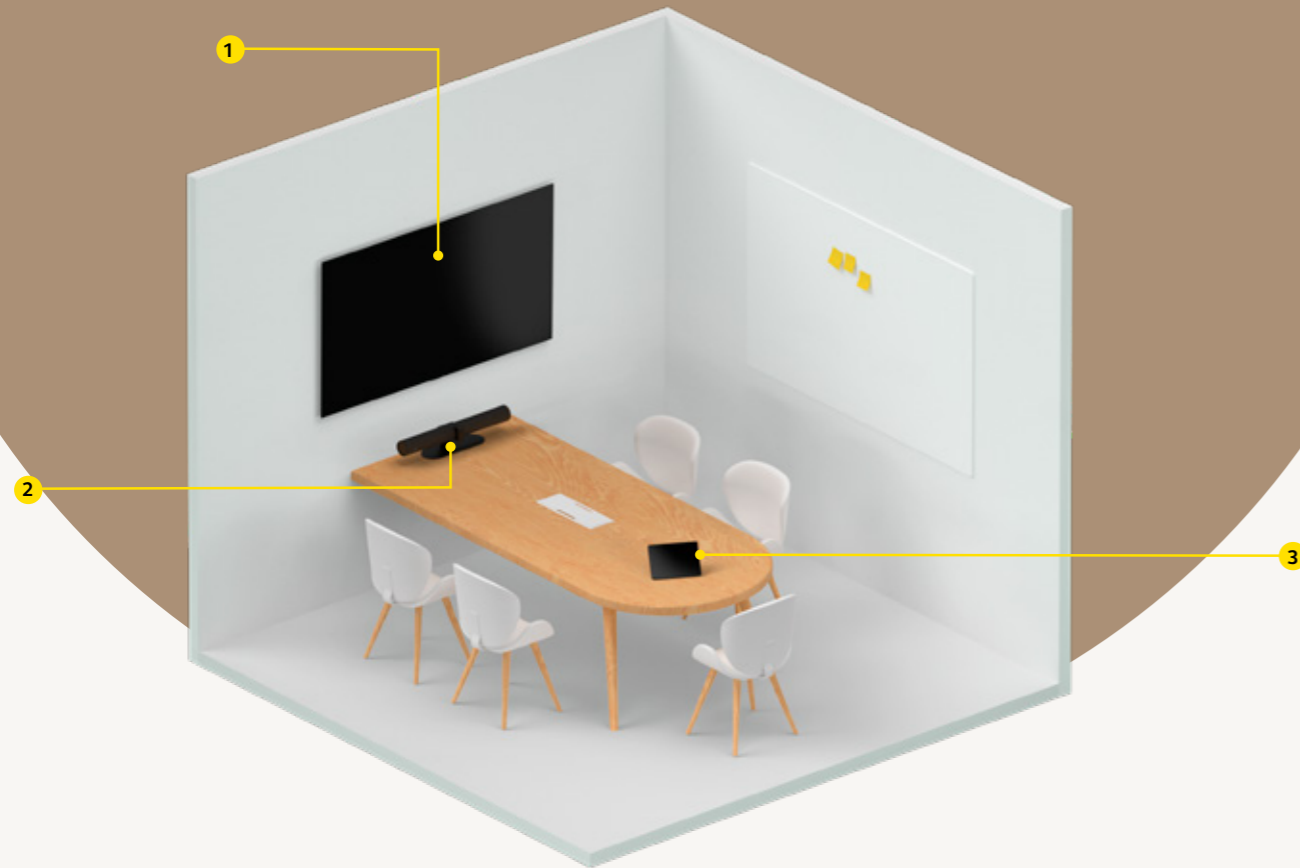
- 1**
- For optimal viewing of screen(s), recommended placement of first seat is **minimum 60cm / 23" away**
 - Recommended distance from bottom of screen to floor: **height 100cm/39"**

Video bar with **180° field-of-view**

- 2**
- Place centrally underneath screen(s)
 - **8cm / 3.2"** from top of wall mount to bottom of screen

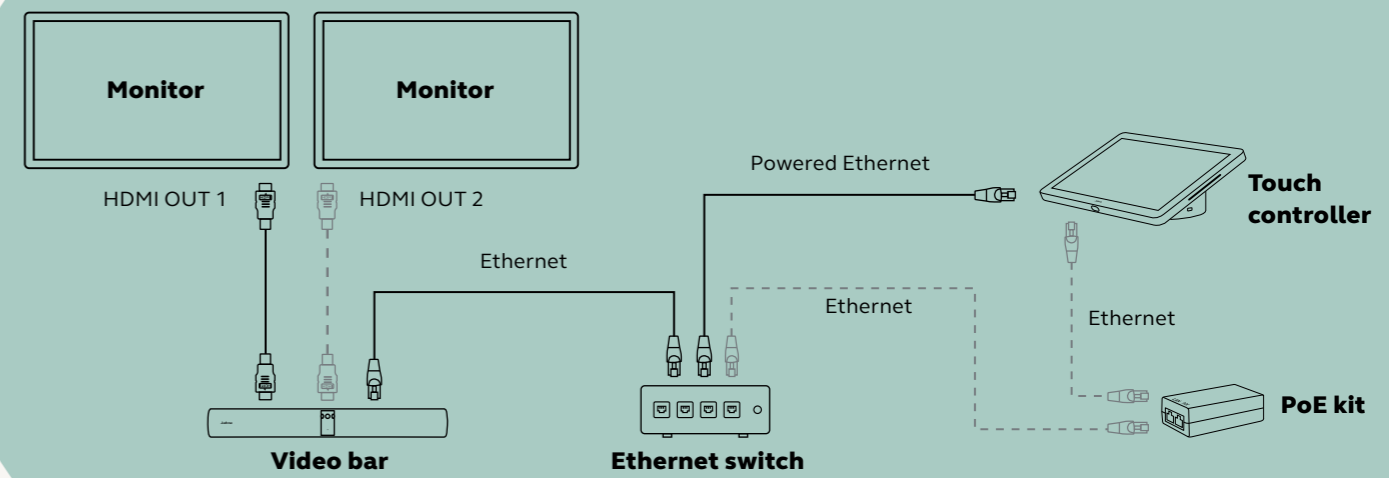
- 3** **Tablet** with table mount

The setup for your **huddle room**



Cabling overview

Straightforward cabling with a PoE kit to connect the tablet.



OPTIMIZED EQUIPMENT PLACEMENT IN A HUDDLE ROOM

One wall-mounted screen: **recommended screen size: 140cm / 55"**

- 1**
 - For optimal viewing of screen, recommended placement of first seat is **minimum 60cm / 23"** away
 - Recommended distance from bottom of screen to floor: **height 100cm/39"**

Video bar with **180° field-of-view**

- 2**
 - Place centrally underneath screen(s)
 - **8cm / 3.2"** from top of wall mount to bottom of screen

- 3** **Tablet** with table mount

JABRA PANACAST 50 VIDEO BAR SYSTEM

**Start today's meeting
with tomorrow's technology**



Engineered
for intelligent meeting room systems

jabra.com