

Gigabit Ethernet Fiber Media Converter Card Module with Open SFP Slot

ET91000SFP2 / ET91000SFP2C

- DE: Bedienungsanleitung - de.startech.com
- FR: Guide de l'utilisateur - fr.startech.com
- ES: Guía del usuario - es.startech.com
- IT: Guida per l'uso - it.startech.com
- NL: Gebruiksaanwijzing - nl.startech.com
- PT: Guia do usuário - pt.startech.com

Packaging Contents

ET91000SFP2

- 1 x Fiber Media Converter
- 1 x Universal Power Adapter (NA/EU/UK)
- Instruction Manual

ET91000SFP2C

- 1 x Fiber Media Converter
- Instruction Manual

System Requirements

- MSA Compliant Gigabit SFP Module
- 1000BASE-T compatible Ethernet network equipment
- RJ45 terminated UTP Cat5e or better Ethernet cable
- Available AC electrical outlet

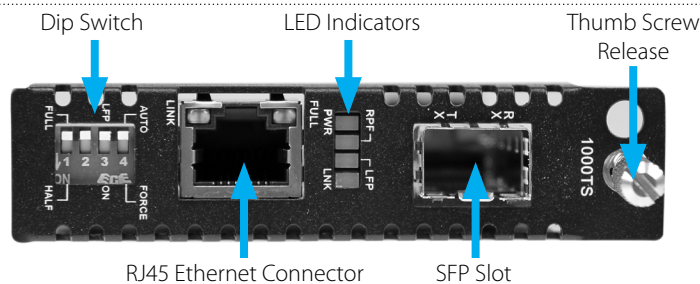
Installation

1. Make sure the DIP switches are set appropriately for your network configuration (see "DIP Switch Settings" section for details).
2. Insert a compatible SFP module into the open SFP slot.
3. Connect a fiber optic network cable from a computer / switch / media converter to the inserted SFP connector on the media converter.

NOTE: When connecting the fiber cable to your installed SFP module, make sure to connect the Tx (transmit) terminal on one end, with the Rx (receive) terminal on the other end.

4. Connect a UTP Ethernet cable from a computer/switch to the RJ45 jack on the media converter.
5. Connect the power adapter to the media converter.

Front



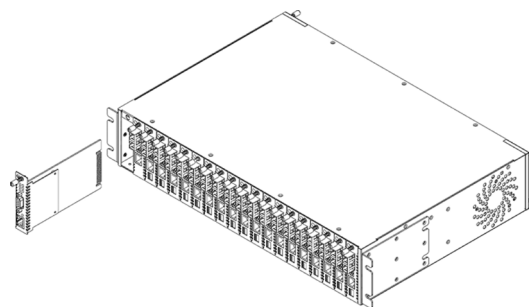
Rear



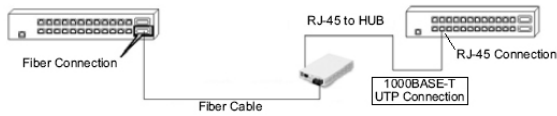
Installation into ETCHS2U Chassis

The ETCHS2U chassis supports the full line of StarTech.com ET series 2 media converters, which can be installed in a mixed fashion to suit your environment. The cards are designed to be hot-swappable, meaning the chassis need not be powered off in order to remove or insert a card.

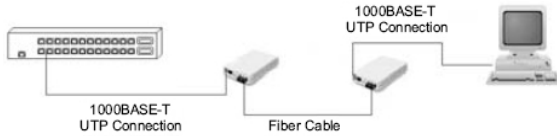
1. If the chassis slot was previously unused, loosen the screw at the top of the slot to remove the cover plate
2. Align the card with the desired slot of the chassis and gently slide the card into the groove to seat the power connection
3. Re-tighten the captive screw to hold the card in place



The following example illustrates the connection scheme when connecting from a 1000BASE-T Ethernet port of a hub/switch to a 1000BASE-SX/LX port of another hub/switch, through the fiber media converter:

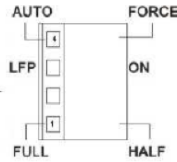


The following example illustrates the connection scheme when connecting from a 1000BASE-T Ethernet port on a hub/switch to a 1000BASE-T Ethernet Network Interface Card (NIC) in a computer through the fiber media converter:



DIP Switch Settings

DIP No.	Pos	Parameter
1	OFF	Force Full Duplex (if Forced enabled)
	ON	Force Half Duplex (if Forced enabled)
2	OFF	Reserved
	ON	Reserved
3	OFF	Disable LFP
	ON	Enable LFP
4	OFF	UTP Auto Negotiation
	ON	Enable UTP Forced Mode



LED Indicators

LED	State	Status
PWR (Green)	On	Power on
	Flash	During upgrade (rapid flash)
	Off	No Power or Card Disabled
RPF (Green)	On	Remote Power Failure
	Off	Remote Power Normal
LFP (Green)	On	Link Fault Pass-thru Enabled
	Off	Link Fault Pass-thru Disabled
LNK (Green)	On	Fiber Link is OK
	Off	No Fiber Link
FULL (RJ45) (Green)	On	UTP is Full Duplex
	Off	UTP is not Full Duplex
LINK (RJ45) (Green)	On	UTP link is OK
	Off	No UTP link

FCC Compliance Statement

This equipment has been tested and found to comply with the limits for a Class B digital device, pursuant to part 15 of the FCC Rules. These limits are designed to provide reasonable protection against harmful interference in a residential installation. This equipment generates, uses and can radiate radio frequency energy and, if not installed and used in accordance with the instructions, may cause harmful interference to radio communications. However, there is no guarantee that interference will not occur in a particular installation. If this equipment does cause harmful interference to radio or television reception, which can be determined by turning the equipment off and on, the user is encouraged to try to correct the interference by one or more of the following measures:

- Reorient or relocate the receiving antenna.
- Increase the separation between the equipment and receiver.
- Connect the equipment into an outlet on a circuit different from that to which the receiver is connected.
- Consult the dealer or an experienced radio/TV technician for help.

Use of Trademarks, Registered Trademarks, and other Protected Names and Symbols

This manual may make reference to trademarks, registered trademarks, and other protected names and/or symbols of third-party companies not related in any way to StarTech.com. Where they occur these references are for illustrative purposes only and do not represent an endorsement of a product or service by StarTech.com, or an endorsement of the product(s) to which this manual applies by the third-party company in question. Regardless of any direct acknowledgement elsewhere in the body of this document, StarTech.com hereby acknowledges that all trademarks, registered trademarks, service marks, and other protected names and/or symbols contained in this manual and related documents are the property of their respective holders.

Technical Support

StarTech.com's lifetime technical support is an integral part of our commitment to provide industry-leading solutions. If you ever need help with your product, visit www.startech.com/support and access our comprehensive selection of online tools, documentation, and downloads.

For the latest drivers/software, please visit www.startech.com/downloads

Warranty Information

This product is backed by a two year warranty.

In addition, StarTech.com warrants its products against defects in materials and workmanship for the periods noted, following the initial date of purchase. During this period, the products may be returned for repair, or replacement with equivalent products at our discretion. The warranty covers parts and labor costs only. StarTech.com does not warrant its products from defects or damages arising from misuse, abuse, alteration, or normal wear and tear.

Limitation of Liability

In no event shall the liability of StarTech.com Ltd. and StarTech.com USA LLP (or their officers, directors, employees or agents) for any damages (whether direct or indirect, special, punitive, incidental, consequential, or otherwise), loss of profits, loss of business, or any pecuniary loss, arising out of or related to the use of the product exceed the actual price paid for the product. Some states do not allow the exclusion or limitation of incidental or consequential damages. If such laws apply, the limitations or exclusions contained in this statement may not apply to you.

Specifications

	ET91000SFP2/ ET91000SFPC
Supported Standards	IEEE 802.3ab, IEEE 802.3z
Connectors	1 x RJ45 Ethernet female 1 x SFP Slot 1 x DC Power
Max Data Rate	1.25 Gbps
Compatible Fiber Type	Depends on SFP
Optical Wavelength	Depends on SFP
Maximum Distance	Depends on SFP (Fiber), 100m (RJ45)
Duplex Modes	Full/Half
Auto MDIX	Yes (Ethernet)
Power	12V DC, 1 A, Center-positive, Type M plug
Power Consumption	< 8W
Enclosure Material	Metal
Operating Temperature	0°C to 60°C (32°F to 140°F)
Storage Temperature	-10°C to 70°C (14°F to 158°F)
Humidity	10~90% RH (Non-Condensing)
Dimensions (LxWxH)	160 x 95 x 20mm
Weight	400g