

In-Band OAM Gigabit Ethernet to MM LC Fiber Media Converter - 550m, Metal Housing

ET91000LCOAM



*actual product may vary from photos

DE: Bedienungsanleitung - de.startech.com

FR: Guide de l'utilisateur - fr.startech.com

ES: Guía del usuario - es.startech.com

IT: Guida per l'uso - it.startech.com

NL: Gebruiksaanwijzing - nl.startech.com

PT: Guia do usuário - pt.startech.com

For the most up-to-date information, please visit: www.startech.com

FCC Compliance Statement

This equipment has been tested and found to comply with the limits for a Class B digital device, pursuant to part 15 of the FCC Rules. These limits are designed to provide reasonable protection against harmful interference in a residential installation. This equipment generates, uses and can radiate radio frequency energy and, if not installed and used in accordance with the instructions, may cause harmful interference to radio communications. However, there is no guarantee that interference will not occur in a particular installation. If this equipment does cause harmful interference to radio or television reception, which can be determined by turning the equipment off and on, the user is encouraged to try to correct the interference by one or more of the following measures:

- Reorient or relocate the receiving antenna.
- Increase the separation between the equipment and receiver.
- Connect the equipment into an outlet on a circuit different from that to which the receiver is connected.
- Consult the dealer or an experienced radio/TV technician for help.

Use of Trademarks, Registered Trademarks, and other Protected Names and Symbols

This manual may make reference to trademarks, registered trademarks, and other protected names and/or symbols of third-party companies not related in any way to StarTech.com. Where they occur these references are for illustrative purposes only and do not represent an endorsement of a product or service by StarTech.com, or an endorsement of the product(s) to which this manual applies by the third-party company in question. Regardless of any direct acknowledgement elsewhere in the body of this document, StarTech.com hereby acknowledges that all trademarks, registered trademarks, service marks, and other protected names and/or symbols contained in this manual and related documents are the property of their respective holders.

Table of Contents

Product Overview	1
Side 1	1
Side 2	1
Introduction	2
Packaging Contents	2
System Requirements.....	2
Factory Reset Procedure	2
Installation	3
Installation into ETCHS2U Chassis.....	4
Operation	4
Web Login Page	4
Specifications.....	6
Technical Support	7
Warranty Information.....	7

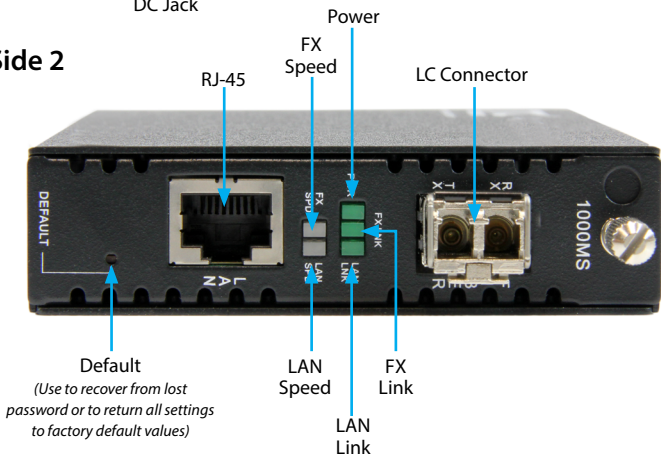
Product Overview

Side 1



DC Jack

Side 2



RJ-45

Power

LC Connector

Default

(Use to recover from lost password or to return all settings to factory default values)

LAN Speed

LAN Link

FX Link

The LAN Speed and FX Speed LEDs use 2 colors to indicate speed. Green indicates Fast Ethernet (100Mbps), while Yellow indicates Gigabit Ethernet. When the LEDs are off, it indicates a speed of 10Mbps.

Introduction

Packaging Contents

- 1x Fiber Media Converter
- 1x Universal Power Adapter (NA/UK/EU)
- 1x Instruction Manual

System Requirements

- 1000BASE-T compatible Ethernet network equipment
- RJ45 terminated UTP Cat5e or better Ethernet cable
- Available AC electrical outlet

Factory Reset Procedure

Apply power to the unit and allow approximately 30 seconds to fully boot. Using a pencil or a ball-point pen, press the "DEFAULT" push button located on the face plate and hold it for 6 seconds. The media converter will be restored to its factory default values, which are:

IP: 10.1.1.1

Subnet Mask: 255.255.255.0

Gateway: 10.1.1.254

Username/Password: "admin"

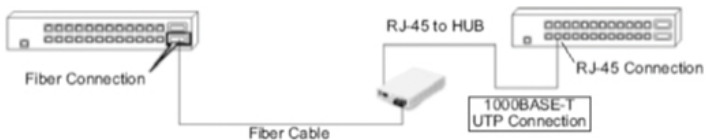
Installation

1. Connect the fiber optic network cable from a computer/switch/media converter to the LC connector on the media converter.

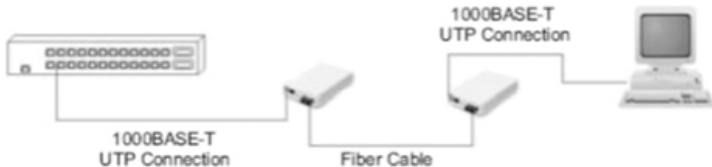
NOTE: When connecting the fiber cable, make sure to connect the Tx (transmit) terminal on one end, with the Rx (receive) terminal on the other end.

2. Connect a UTP Ethernet cable, from a computer/switch to the RJ45 jack on the media converter.
3. Connect the power adapter to the media converter.

The following example illustrates the connection scheme when connecting from a 1000BASE-T Ethernet port of a hub/switch to a 1000BASE-SX/LX port of another hub/switch. Through the fiber media converter:



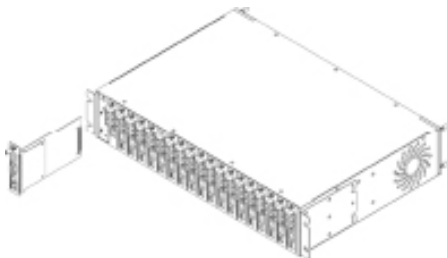
The following example illustrates the connection scheme when connecting from a 1000BASE-T Ethernet port on a hub/switch to a 1000BASE-T Ethernet Network Interface Card (NIC) in a computer through the fiber media converter:



Installation into ETCHS2U Chassis

The ETCHS2U chassis supports the full line of StarTech.com ET series 2 media converters, which can be installed in a mixed fashion to suit your environment. The cards are designed to be hot-swappable, meaning the chassis need not be powered off in order to remove or insert a card.

1. If the chassis slot was previously unused, loosen the screw at the top of the slot to remove the cover plate
2. Align the card with the desired slot of the chassis and gently slide the card into the groove to seat the power connection
3. Re-tighten the captive screw to hold the card in place



Operation

Web Login Page

The media converter can be configured via a Web Page, accessible through any web browser by using its IP address (Default IP: 10.1.1.1)

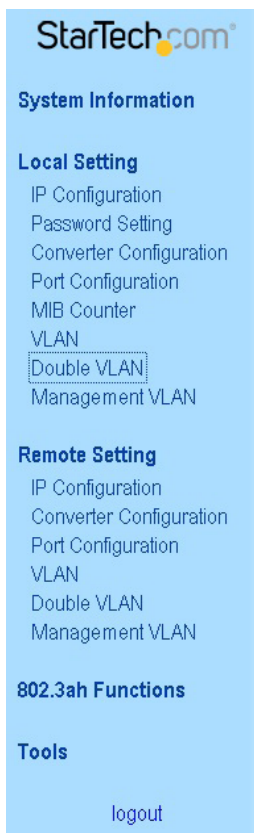
1G Base-TX to 1G Base-FX OAM Media Converter

Username:

Password:

Enter the username and password (default username and password is “admin”) and click “Login”.

The configuration webpage will appear with the following options down the left side:



The image shows a vertical sidebar menu on a light blue background. At the top is the StarTech.com logo. Below it are several menu sections: 'System Information', 'Local Setting', 'Remote Setting', '802.3ah Functions', and 'Tools'. Under 'Local Setting', the 'Double VLAN' option is highlighted with a dashed rectangular border. At the bottom of the sidebar is a 'logout' link.

StarTech.com

System Information

Local Setting

- IP Configuration
- Password Setting
- Converter Configuration
- Port Configuration
- MIB Counter
- VLAN
- Double VLAN**
- Management VLAN

Remote Setting

- IP Configuration
- Converter Configuration
- Port Configuration
- VLAN
- Double VLAN
- Management VLAN

802.3ah Functions

Tools

logout

For full operating instructions, please visit <http://www.startech.com/ET91000LCOAM>

Specifications

Supported Standards	IEEE 802.3, 802.3u, 802.3ab, 802.3z, 802.3ah, 802.1Q
Connectors	1x RJ45 Female 1x LC Fiber Female 1x DC Power
LED Indicator(s)	Power, FX-Link, LAN Speed, LAN Link
Compatible Fiber Mode	Multimode
Optical Wavelength	850nm
Maximum Distance	550m
Duplex Modes	Full Duplex on Fiber
Power Adapter	12V DC, 1A
Power Consumption	<5W
Enclosure Material	Metal
Operating Temperature	0°C to 60°C (32°F to 140°F)
Storage Temperature	-10°C to 70°C (14°F to 158°F)
Humidity	10~90% non-condensing
Dimensions	155 x 87 x 24 mm
Weight	620 g

Technical Support

StarTech.com's lifetime technical support is an integral part of our commitment to provide industry-leading solutions. If you ever need help with your product, visit www.startech.com/support and access our comprehensive selection of online tools, documentation, and downloads.

For the latest drivers/software, please visit www.startech.com/downloads

Warranty Information

This product is backed by a two year warranty.

In addition, StarTech.com warrants its products against defects in materials and workmanship for the periods noted, following the initial date of purchase. During this period, the products may be returned for repair, or replacement with equivalent products at our discretion. The warranty covers parts and labor costs only. StarTech.com does not warrant its products from defects or damages arising from misuse, abuse, alteration, or normal wear and tear.

Limitation of Liability

In no event shall the liability of StarTech.com Ltd. and StarTech.com USA LLP (or their officers, directors, employees or agents) for any damages (whether direct or indirect, special, punitive, incidental, consequential, or otherwise), loss of profits, loss of business, or any pecuniary loss, arising out of or related to the use of the product exceed the actual price paid for the product. Some states do not allow the exclusion or limitation of incidental or consequential damages. If such laws apply, the limitations or exclusions contained in this statement may not apply to you.

Hard-to-find made easy. At StarTech.com, that isn't a slogan. It's a promise.

StarTech.com is your one-stop source for every connectivity part you need. From the latest technology to legacy products — and all the parts that bridge the old and new — we can help you find the parts that connect your solutions.

We make it easy to locate the parts, and we quickly deliver them wherever they need to go. Just talk to one of our tech advisors or visit our website. You'll be connected to the products you need in no time.

Visit www.startech.com for complete information on all StarTech.com products and to access exclusive resources and time-saving tools.

StarTech.com is an ISO 9001 Registered manufacturer of connectivity and technology parts. StarTech.com was founded in 1985 and has operations in the United States, Canada, the United Kingdom and Taiwan servicing a worldwide market.