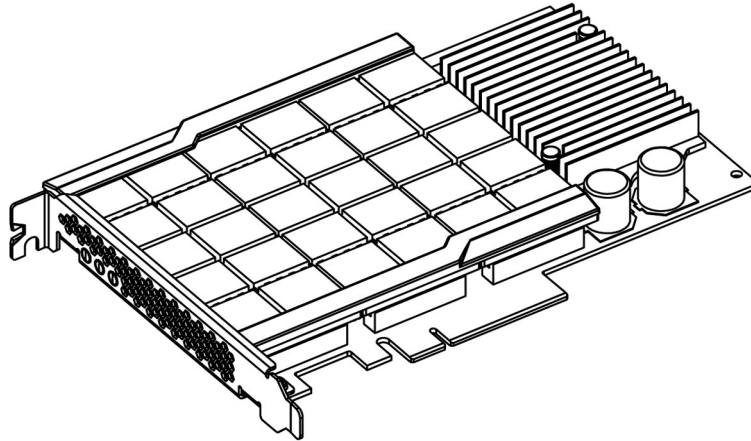


# QuickSpecs

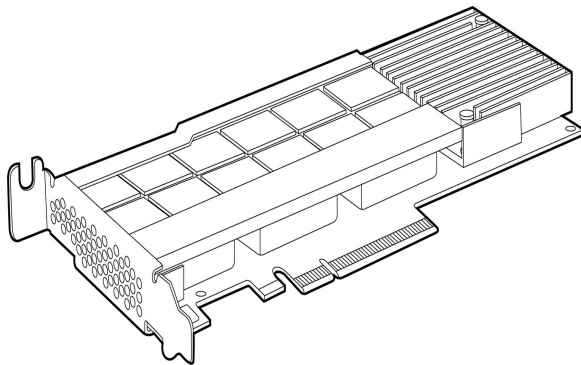
## HP PCIe IO Accelerators for ProLiant Servers

### Overview

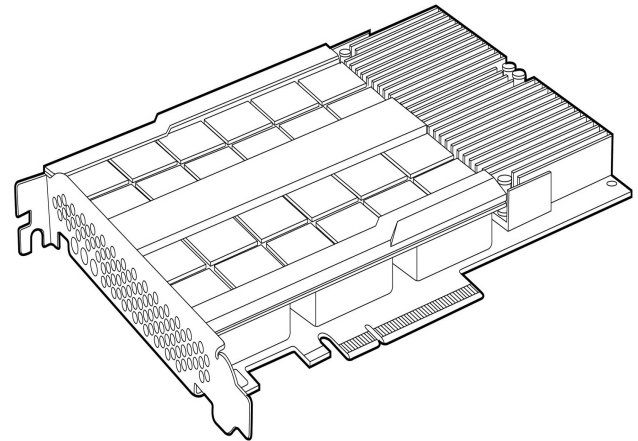
HP IO Accelerator for ProLiant Servers is a PCIe card-based direct-attach solid state storage technology solution for application performance enhancement. Based on Multi-Level Cell (MLC) and Single Level Cell (SLC) NAND Flash technology, these devices are ideal for low latency workloads requiring high transaction rates and real-time data access.



**ioDrive (Generation2) FH/HL**



**ioDrive (Generation2) HH/HL**



**ioDrive Duo (Generation2) FH/HL**

### What's New

- Introducing the Gen2 HP IO Accelerators for ProLiant ML/DL/SL server platforms
- As low as 17 microsecond WRITE latency
- Performance: Up to 935,000 WRITE IOPS, up to 892,000 READ IOPS, up to 3GB/s Bandwidth
- Industry-Leading Capacity: Up to 3TB
- Enterprise Endurance: Wear leveling, predictive monitoring and management, and warranty forecasting
- Enterprise Reliability: Adaptive flashback technology provides on-card redundancy with no downtime on multichip failures

# QuickSpecs

## HP PCIe IO Accelerators for ProLiant Servers

---

### Overview

### Models

#### HP I/O Accelerator Options

#### Second Generation Accelerators

HP 365GB Multi Level Cell G2 PCIe ioDrive2 for ProLiant Servers	673642-B21
HP 785GB Multi Level Cell G2 PCIe ioDrive2 for ProLiant Servers	673644-B21
HP 1205GB Multi Level Cell G2 PCIe ioDrive2 for ProLiant Servers	673646-B21
HP 2410GB Multi Level Cell G2 PCIe ioDrive2 Duo for ProLiant Servers	673648-B21
HP 3TB G2 FH/HL PCIe ioDrive2 IO Accelerator for ProLiant Servers	721458-B21

# QuickSpecs

## HP PCIe IO Accelerators for ProLiant Servers

### Compatibility

#### Compatibility

##### Second Generation Accelerators Support

##### ProLiant DL (rack-optimized):

- HP ProLiant DL160 G6
- HP ProLiant DL160 Gen8
- HP ProLiant DL180 G6
- HP ProLiant DL360 G7  
NOTE: Support for 673648-B21 only in x16 slot.
- HP ProLiant DL360 G7  
**NOTE:** Support for 673648-B21 only in x16 slot.
- HP ProLiant DL360e Gen8
- HP ProLiant DL360p Gen8  
**NOTE:** Support for 673648-B21 only in x16 slot.
- HP ProLiant DL370 G6
- HP ProLiant DL380 G7
- HP ProLiant DL380p Gen8
- HP ProLiant DL385 G7
- HP ProLiant DL385p Gen8
- HP ProLiant DL560 Gen8
- HP ProLiant DL580 G7
- HP ProLiant DL585 G6
- HP ProLiant DL585 G7
- HP ProLiant DL980 G7

##### ProLiant ML (expansion-optimized):

- HP ProLiant ML350 G6
- HP ProLiant ML350p Gen8
- HP ProLiant ML370 G6

##### ProLiant SL (Scalable System)

- HP ProLiant SL230s Gen8
- HP ProLiant SL250s Gen8
- HP ProLiant SL4540 Gen8
- HP ProLiant SL4545 G7

**NOTE:** For the list of supported skus per server, please see each server QuickSpecs.

**NOTE:** This is a list of supported servers. Some may be discontinued.

# QuickSpecs

## HP PCIe IO Accelerators for ProLiant Servers

### Standard Features

**What is an IO Accelerator?** The IO Accelerator is an PCIe card-based, advanced storage device that uses solid state storage technology directly on the PCI bus, assuring high read and write data rates and accelerated application performance. The associated application performance improvements will have a positive impact on business results and the ability to accelerate IO-bound workloads like databases, virtualization and data analytics, resulting in significant cost and time savings.

**Single Level Cell and Multilevel Cell** NAND technology uses flash memory cells to store data. Single level Cell (SLC) stores one bit per cell, while Multi-level Cell (MLC) uses two bits per cell. While MLC can store more data within each device, it has lower endurance characteristics than SLC.

**IO and Read/Write Performance** HP PCIe IO Accelerators offer superior IO performance up to 892,000 READ IOPS and 935,000 WRITE IOPS, and high throughput up to 3.0 GB/s READ and up to 2.5 GB/s WRITE.

**Latency** HP PCIe IO Accelerators offer very low latency access to data, as low as 17 microseconds to write a 4K block and as low as 68 microseconds to read a 4K block. In other words, a virtually zero seek time compared to rotating magnetic media.

**RAM Requirements** The amount of free RAM required by the driver depends on the size of the blocks used when writing to the drive. The smaller the blocks, the more RAM required. Here are the guidelines for each 100GB of storage:

Average Block Size (bytes)	System RAM usage (Megabytes) per 100GB of storage for Driver version 2.x and 3.x
8,192	280MB
4,096 (most common)	530MB
2,048	1030MB
1,024	2,000MB
512	3,970MB

**Manageability** Command Line (CLI) tools for both Linux and Windows to configure, monitor, and upgrade firmware SNMP Agent and System Management Homepage provided for Linux and Windows. ioManager GUI for Windows and Linux.

**PCI IDs** Vendor & Device ID 1AED:1005; Subsystem Vendor & Device ID 103C:324E for Generation1 products. The Device ID for Generation2 is 2001. In Gen2 the Subsystem Vendor ID has changed to 1590. Each capacity has its own Subsystem Device ID.

**Upgradeability** The controller for the HP IO Accelerators can be upgraded in the future with new firmware. Online firmware update tools are available for all supported operating systems.

**Wear-leveling** NAND Flash devices use semiconductor technology that has a finite number of data that can be written to the device, defined as the Maximum Lifetime. Projected lifetime of the NAND storage due to wear-out varies with type of NAND and amount of writes to the device.



# QuickSpecs

## HP PCIe IO Accelerators for ProLiant Servers

### Standard Features

#### Maximum usage

	<b>ioDrive2 (4 SKUs)</b>			
	365GB	785GB	1205GB	3000GB
2 Drive Writes/Day		2 Drive Writes/Day	2 Drive Writes/Day	2 Drive Writes/Day
4 PB written		11 PB written	17 PB written	37 PB written
	<b>ioDrive2 Duo (1 SKU)</b>			
	2410GB			
	2 Drive Writes/Day			
	34 PB written			

**NOTE:** Subject to maximum usage limitations. Parts and components that have exceeded their maximum supported lifetime and/or the maximum usage limitations. Maximum supported lifetime—the period in years set to equal the warranty for the device. Maximum usage limit—This is the maximum amount of data that can be written to the device before write burn-out. Drive writes per day (DWPD) is the maximum number of 4K host writes to the entire drive capacity per day over a five year period.

**NOTE:** PB written listed is writes to Flash, not host writes.

#### Data Integrity

Using advanced ECC techniques, the HP IO Accelerators can correct up to 11 bits out of every 240 bytes, with a design target of a 1 in 10 to the 20th Power probability of uncorrectable data and a 1 in 10 to the 30th Power probability of undetected bad data.

#### OS Support

RHEL 4,5,6 (64-bit support only)  
SLES 10, 11 (64-bit support only)  
Windows Server x86-64 2003, 2008 (64-bit support only), 2008 R2, 2012  
Oracle Enterprise Linux 5 (OEL 5)  
CentOS 5, 6  
VMware ESX 4.0 Update 1, ESXi 5.0/5.1  
Oracle Enterprise Linux 6  
Solaris x86 10, 11  
VMWare ESXi 4.1

**NOTE:** The HP IO Accelerators are currently not supported as boot devices.

#### Configurations

Mixing of capacities is allowed, OS RAID

#### Warranty

3/0/0 warranty; Customer Self Repair (CSR) Subject to maximum usage limitations (Please see note under Additional Services Information).



# QuickSpecs

## HP PCIe IO Accelerators for ProLiant Servers

---

### Service and Support

#### Service and Support

#### HP Technology Services

HP Technology Services offers you technical consultants and support expertise to solve your most complex infrastructure problems. We help keep your business running, boost availability, and avoid downtime.

#### Protect your business beyond warranty with HP Care Pack Services

When you buy HP Options, it's also a good time to think about what level of service you may need. HP Care Pack services provide total technical support and expertise with committed response choices designed to meet your specific IT and business need.

HP Foundation Care services deliver scalable reactive support-packages for HP industry-standard servers and software. You can choose the type and level of service that is most suitable for your business needs. New to this portfolio is HP Collaborative Support. If you are running business critical environments, HP offers Proactive Care or Critical Advantage. These services help you deliver high levels of application availability through a single point of contact, proactive service management and advanced technical response.

Here is the support service recommendation from the Foundation Care and Proactive Care portfolio. For customized support service solution, HP can work with you to tailor a service solution for your unique support requirements using broader services portfolio of Foundation Care and Proactive Care.

---

#### Recommended Services

#### Recommended HP Care Pack Services for optimal satisfaction with your HP product

##### 3-Year HP 24x7 4 hour Response, Proactive Care

Helps optimize your systems and delivers high levels of application availability through proactive service management and advanced technical response. You will work with a single point of contact, a Technical Manager who will own your logged call and issue from end to end until resolved, accessing the resources that you need to resolve all issues and help minimize downtime.

**OR**

##### 3-Year HP 24x7 4 hour Response, HP Collaborative Support

Provides problem resolution support across the stack of HW, firmware, and HP and 3rd party SW. In case the issue is with 3rd party SW, HP does known issue resolution. If HP cannot solve the issue, it will contact the third-party vendor and create a problem incident on your behalf

<http://h20195.www2.p.com/V2/GetPDF.aspx/4AA3-8232ENW.pdf>

##### HP Installation of ProLiant Add On Options Service

This easy-to-buy, easy-to-use HP Care Pack service helps ensure that your new HP hardware or software is installed smoothly, efficiently, and with minimal disruption of your IT and business operations

---

# QuickSpecs

## HP PCIe IO Accelerators for ProLiant Servers

---

### Service and Support

#### Related Services

#### Related HP Care Pack Services to enhance your HP product experience

##### **3-Year HP 24x7 4 hour Response, Proactive Care**

Helps optimize your systems and delivers high levels of application availability through proactive service management and advanced technical response. A Technical Account Manager will be assigned to you and work all problems from end to end until resolved, plus work with you to help minimize downtime and mitigate risk.

**OR**

##### **3-Year HP 24x7 4 hour Response, Hardware Support Onsite Service**

Provides you with rapid remote support and if required an HP technical representative will be on site 24X7 any day of the year to begin hardware maintenance service within 4 hours of the service request being logged.

<http://h20195.www2.hp.com/V2/GetPDF.aspx/5982-6547EEE.pdf>

##### **3-Year HP 6-hour Onsite Call-to-Repair, HP Collaborative Support**

Offers customers a single point of contact for server problem diagnosis, hardware problem resolution to return the hardware in operating condition within 6 hours of the initial service request to the HP Global Solution Center, and basic software problem diagnosis, fault isolation, and resolution if available to HP.

<http://h20195.www2.hp.com/V2/GetPDF.aspx/4AA3-8232ENW.pdf>

##### **HP Proactive Select Service**

Provides a flexible way to purchase HP best-in-class consultancy and technical services. You can buy Proactive Select Service Credits when you purchase your hardware and then use the credits over the next 12 months.

<http://h20195.www2.hp.com/V2/GetPDF.aspx/4AA2-3842ENN.pdf>

---

#### Insight Remote Support

Provides 24 X 7 remote monitoring, proactive notifications, and problem resolution. Learn more

<http://www.hp.com/go/insightremotesupport>

---

#### HP Support Center

Personalized online support portal with access to information, tools and experts to support HP business products. Submit support cases online, chat with HP experts, access support resources or collaborate with peers. Learn more <http://www.hp.com/go/hpsc>

HP's Support Center Mobile App\* allows you to resolve issues yourself or quickly connect to an agent for live support. Now, you can get access to personalized IT support anywhere, anytime.

HP Insight Remote Support and HP Support Center are available at no additional cost with a HP warranty, HP Care Pack or HP contractual support agreement.

\*HP' Support Center Mobile App is subject to local availability

# QuickSpecs

## HP PCIe IO Accelerators for ProLiant Servers

---

### Service and Support

#### Parts and materials

HP will provide HP-supported replacement parts and materials necessary to maintain the covered hardware product in operating condition, including parts and materials for available and recommended engineering improvements. Supplies and consumable parts will not be provided as part of this service; standard warranty terms and conditions apply. Parts and components that have exceeded their maximum supported lifetime and/or the maximum usage limitations as set forth in the manufacturer's operating manual or the technical product data sheet will not be provided, repaired or replaced as part of this service.

---

#### Warranty / Service Coverage

For ProLiant servers and storage systems, this service covers HP-branded hardware options qualified for the server, purchased at the same time or afterward, internal to the enclosure, as well as external monitors up to 22" and tower UPS products; these items will be covered at the same service level and for the same coverage period as the server unless the maximum supported lifetime and/or the maximum usage limitation has been exceeded. Coverage of the UPS battery is not included; standard warranty terms and conditions apply.

The defective media retention service feature option applies only to Disk or eligible SSD/Flash Drives replaced by HP due to malfunction. It does not apply to any exchange of Disk or SSD/Flash Drives that have not failed. SSD/Flash Drives that are specified by HP as consumable parts and/or that have exceeded maximum supported lifetime and/or the maximum usage limit as set forth in the manufacturer's operating manual or the technical data sheet are not eligible for the defective media retention service feature option.

**Subject to:** Maximum supported lifetime: This is a period in years set to equal the warranty for the specific drive. After this period no further service coverage will be available for the drive. Maximum usage limit: This is the maximum amount of data that can be written to the drive. Drives that have reached this limit will not be eligible for services coverage

---

#### For more information

To learn more on services for HP ESSN Options, please contact your HP sales representative or HP Authorized Channel Partner. Or visit: <http://www.hp.com/services/proliant> or [www.hp.com/services/bladessystem](http://www.hp.com/services/bladessystem)





# QuickSpecs

## HP PCIe IO Accelerators for ProLiant Servers

### Technical Specifications

**HP 3TB G2 FH/HL PCIe  
ioDrive2 IO Accelerator  
for ProLiant Servers**  
721458-B21

<b>Usable Capacity</b>	3000GB
<b>Technology</b>	NAND Flash, MLC
<b>Max Sequential Throughput</b>	Reads 1.4 GiB/s, Writes 1 GiB/s
<b>Average Access Latency (4KiB,Q1)</b>	Reads 495 microseconds, Writes 35 microseconds
<b>IOPS (4KiB,Q16)</b>	Reads 98,000 IOPS, Writes 72,900 IOPS
<b>Form factor</b>	Full Height/Half length-Low profile PCI Express x 8 slot (spec 2.0)
<b>Bus Interface</b>	PCI Express x 4
<b>Power (Nominal)</b>	PCI Express x 4 (power spec 2.0)
<b>Operating Temperature</b>	0-55°C (Operational)/-40-70°C (non-operational)
<b>Supported Driver Version</b>	3.2.3 and higher

**HP 2410GB Multi Level  
Cell G2 PCIe Solid State  
Drive IO Accelerator**  
673648-B21

<b>Usable Capacity</b>	2410GB
<b>Technology</b>	NAND Flash, MLC
<b>Max Sequential Throughput</b>	Reads 2.8 GiB/s, Writes 1.8 GiB/s
<b>Average Access Latency (4KiB,Q2)</b>	Reads 110 microseconds, Writes 30 microseconds
<b>IOPS (4KiB,Q16)</b>	Reads 112,000 IOPS, Writes 88,700 IOPS
<b>Form factor</b>	Full Height/Half length PCI Express x 8 slot (spec 2.0)
<b>Bus Interface</b>	PCI Express 2.0 x 8
<b>Power (Nominal)</b>	PCI Express 2.0 x 8
<b>Operating Temperature</b>	0-55°C (Operational)/-40-70°C (non-operational)
<b>Supported Driver Version</b>	3.x and higher
<b>Auxillary Power (for ioDrive2 Duo only)</b>	<b>NOTE:</b> This SKU may require auxiliary power to achieve maximum performance. Included in the box is a power cable kit that will plug into the Duo and into a GPU power cable kit for the server (which is not included with the Duo). Please refer to the Quickspec of the applicable server to determine which GPU power cable kit from HP is required.

# QuickSpecs

## HP PCIe IO Accelerators for ProLiant Servers

### Technical Specifications

<b>HP 1205GB Multi Level Cell G2 PCIe Solid State Drive IO Accelerator</b> 673646-B21	<b>Usable Capacity</b>	1205GB
	<b>Technology</b>	NAND Flash, MLC
	<b>Max Sequential Throughput</b>	Reads 1.4 GiB/s, Writes 1 GiB/s
	<b>Average Access Latency (4KiB,Q1)</b>	Reads 410 microseconds, Writes 35 microseconds
	<b>IOPS (4KiB,Q16)</b>	Reads 96,000 IOPS, Writes 49,000 IOPS
	<b>Form factor</b>	Half Height/Half length-Low profile PCI Express x 8 slot (spec 2.0)
	<b>Bus Interface</b>	PCI Express x 4
	<b>Power (Nominal)</b>	PCI Express x 4 (power spec 2.0)
	<b>Operating Temperature</b>	0-55°C (Operational)/-40-70°C (non-operational)
	<b>Supported Driver Version</b>	3.x and higher

<b>HP 785GB Multi Level Cell G2 PCIe Solid State Drive IO Accelerator</b> 673644-B21	<b>Usable Capacity</b>	785GB
	<b>Technology</b>	NAND Flash, MLC
	<b>Max Sequential Throughput</b>	Reads 1.3 GiB/s, Writes 945 MiB/s
	<b>Average Access Latency (4KiB,Q1)</b>	Reads 245 microseconds, Writes 35 microseconds
	<b>IOPS (4KiB,Q16)</b>	Reads 93,000 IOPS, Writes 42,000 IOPS
	<b>Form factor</b>	Half Height/Half length-Low profile PCI Express x 8 slot (spec 2.0)
	<b>Bus Interface</b>	PCI Express x 4
	<b>Power (Nominal)</b>	PCI Express x 4 (power spec 2.0)
	<b>Operating Temperature</b>	0-55°C (Operational)/-40-70°C (non-operational)
	<b>Supported Driver Version</b>	3.x and higher

<b>HP 365GB Multi Level Cell G2 PCIe Solid State Drive IO Accelerator</b> 673642-B21	<b>Usable Capacity</b>	365GB
	<b>Technology</b>	NAND Flash, MLC
	<b>Max Sequential Throughput</b>	Reads 860 MiB/s, Writes 560 MiB/s
	<b>Average Access Latency (4KiB,Q1)</b>	Reads 135 microseconds, Writes 35 microseconds
	<b>IOPS (4KiB,Q16)</b>	Reads 85,000 IOPS, Writes 26,000 IOPS
	<b>Form factor</b>	Half Height/Half length-Low profile PCI Express x 8 slot (spec 2.0)
	<b>Bus Interface</b>	PCI Express x 4
	<b>Power (Nominal)</b>	PCI Express x 4 (power spec 2.0)
	<b>Operating Temperature</b>	0-55°C (Operational)/-40-70°C (non-operational)
	<b>Supported Driver Version</b>	3.x and higher



# QuickSpecs

## HP PCIe IO Accelerators for ProLiant Servers

---

### Technical Specifications

#### Environment-friendly Products and Approach

#### End-of-life Management and Recycling

Hewlett-Packard offers end-of-life HP product return, trade-in, and recycling programs in many geographic areas. For trade-in information, please go to: <http://www.hp.com/go/green>. To recycle your product, please go to: <http://www.hp.com/go/green> or contact your nearest HP sales office. Products returned to HP will be recycled, recovered or disposed of in a responsible manner. The EU WEEE directive (2002/95/EC) requires manufacturers to provide treatment information for each product type for use by treatment facilities. This information (product disassembly instructions) is posted on the Hewlett Packard web site at: <http://www.hp.com/go/green>. These instructions may be used by recyclers and other WEEE treatment facilities as well as HP OEM customers who integrate and re-sell HP equipment.

---

© Copyright 2014 Hewlett-Packard Development Company, L.P.

The information contained herein is subject to change without notice.

Microsoft and Windows NT are US registered trademarks of Microsoft Corporation.

The only warranties for HP products and services are set forth in the express warranty statements accompanying such products and services. Nothing herein should be construed as constituting an additional warranty. HP shall not be liable for technical or editorial errors or omissions contained herein.

For hard drives, 1GB = 1 billion bytes. Actual formatted capacity is less.