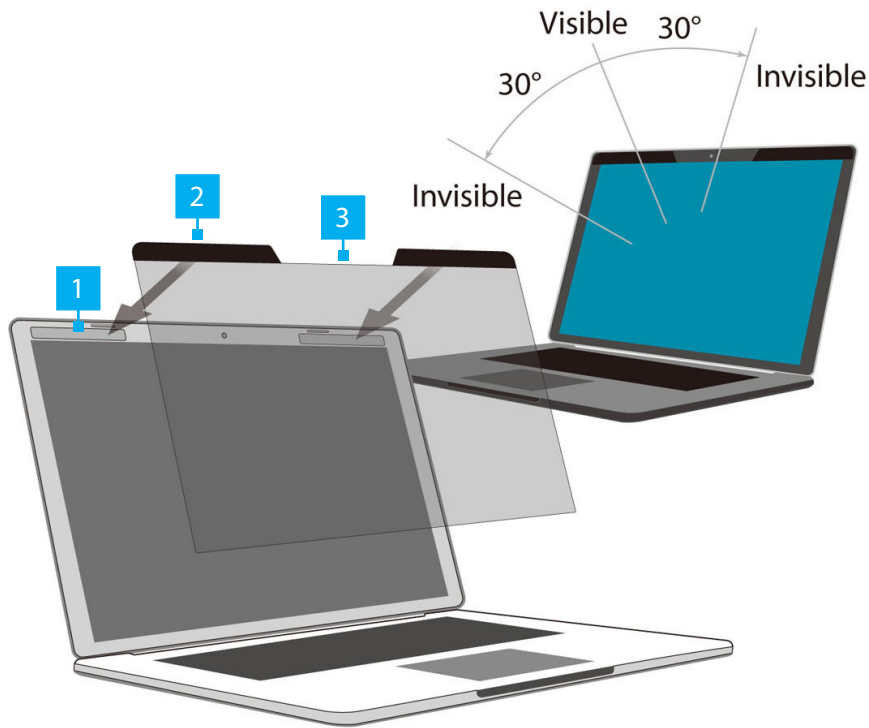


Universal Magnetic Privacy Filter - For 15" Laptops

Product Diagram (PRIVSCNLT15)



Part	Function
1 Metal Strips	<ul style="list-style-type: none"> Adhesive strips of metal Adhere to the Laptop Display Bezel
2 Magnetic Strips	<ul style="list-style-type: none"> Magnets that cling to the Metal Strips
3 Privacy Screen	<ul style="list-style-type: none"> Restricts visibility of the Laptop Display when viewed past a 30° angle

Requirements

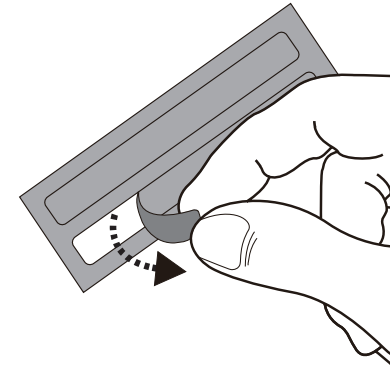
For the latest requirements please visit: www.startech.com/PRIVSCNLT15.

- 15" Laptop x 1

Installation

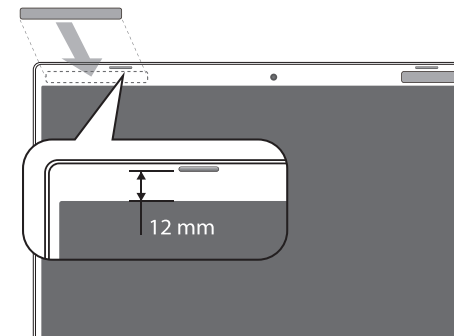
1. Use the **Wiping Cloth** to clean the **Laptop Display** and **Bezels**.
2. Peel the **Metal Strips** off of the sheets. (Figure 1)

Figure 1



3. Align the **Metal Strips** along the top right and left of the **Laptop Display Bezel**. (Figure 2)

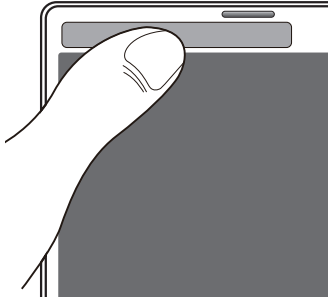
Figure 2



4. Press and stick to secure the **Metal Strips** to the **Laptop Display Bezel**. (Figure 3)

Note: Do not remove the **Metal Strips** once they are applied to the **Laptop Display Bezel**, as it will weaken the adhesive backing.

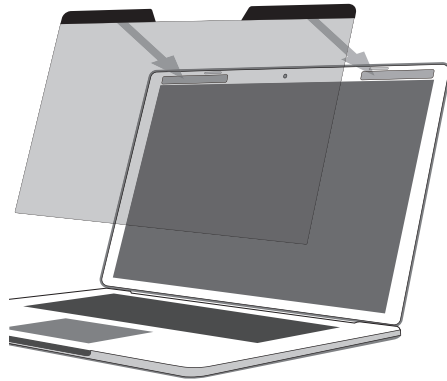
Figure 3



5. Attach the **Privacy Screen** to the **Laptop** by aligning the **Magnetic Strips** against the **Metal Strips**. (Figure 4)

Note: The **Privacy Screen** features a glossy side and a matte side. Choose the side that best fits the application. Ensure the **Magnetic Strips** are pointed upwards.

Figure 4



6. Use the **Wiping Cloth** to clean any fingerprints on the **Privacy Screen**.

Use of Trademarks, Registered Trademarks, and other Protected Names and Symbols

This manual may make reference to trademarks, registered trademarks, and other protected names and/or symbols of third-party companies not related in any way to StarTech.com. Where they occur these references are for illustrative purposes only and do not represent an endorsement of a product or service by StarTech.com, or an endorsement of the product(s) to which this manual applies by the third-party company in question. StarTech.com hereby acknowledges that all trademarks, registered trademarks, service marks, and other protected names and/or symbols contained in this manual and related documents are the property of their respective holders.

Warranty Information

This product is backed by a two-year warranty.

For further information on product warranty terms and conditions, please refer to www.startech.com/warranty.

Limitation of Liability

In no event shall the liability of StarTech.com Ltd. and StarTech.com USA LLP (or their officers, directors, employees or agents) for any damages (whether direct or indirect, special, punitive, incidental, consequential, or otherwise), loss of profits, loss of business, or any pecuniary loss, arising out of or related to the use of the product exceed the actual price paid for the product. Some states do not allow the exclusion or limitation of incidental or consequential damages. If such laws apply, the limitations or exclusions contained in this statement may not apply to you.

StarTech.com Ltd. 45 Artisans Cres London, Ontario N5V 5E9 Canada	StarTech.com LLP 2500 Creekside Parkwy Lockbourne, Ohio 43137 U.S.A.	StarTech.com Ltd. Unit B, Pinnacle 15 Gowerton Rd, Brackmills Northampton NN4 7BW United Kingdom	FR: fr.startech.com DE: de.startech.com ES: es.startech.com NL: nl.startech.com IT: it.startech.com JP: jp.startech.com
--	--	---	--