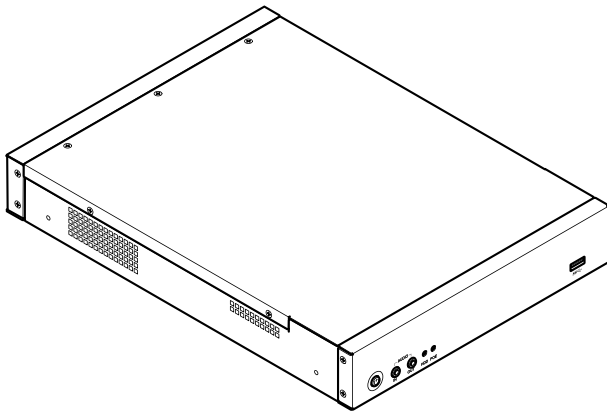


AXIS Camera Station S2108 Appliance



help.axis.com/axis-s2108#get-started

Installation guide

Read this first

Read through this installation guide carefully before you install the product. Keep the installation guide for future reference.

Legal considerations

Liability

Every care has been taken in the preparation of this document. Please inform your local Axis office of any inaccuracies or omissions. Axis Communications AB cannot be held responsible for any technical or typographical errors and reserves the right to make changes to the product and manuals without prior notice. Axis Communications AB makes no warranty of any kind with regard to the material contained within this document, including, but not limited to, the implied warranties of merchantability and fitness for a particular purpose. Axis Communications AB shall not be liable nor responsible for incidental or consequential damages in connection with the furnishing, performance or use of this material. This product is only to be used for its intended purpose.

Intellectual property rights

Axis AB has intellectual property rights relating to technology embodied in the product described in this document. In particular, and without limitation, these intellectual property rights may include one or more of the patents listed at axis.com/patent and one or more additional patents or pending patent applications in the US and other countries.

Equipment modifications

This equipment must be installed and used in strict accordance with the instructions given in the user documentation. This equipment contains no user-serviceable components. Unauthorized equipment changes or modifications will invalidate all applicable regulatory certifications and approvals.

Trademark acknowledgements

AXIS COMMUNICATIONS, AXIS, ARTPEC and VAPIX are registered trademarks of Axis AB in various jurisdictions. All other trademarks are the property of their respective owners.

Microsoft, Windows, the Windows logo, Microsoft Edge, Internet Explorer, DirectX, BitLocker, Intel, Intel Core, Celeron, Pentium, Xeon, Dell, Dell EMC, PowerEdge, Optiplex, NVIDIA, NVIDIA Quadro, DisplayPort, and Bonjour are registered trademarks of the respective holders.

Regulatory information

Europe



This product complies with the applicable CE marking directives and harmonized standards:

- Electromagnetic Compatibility (EMC) Directive 2014/30/EU. See *Electromagnetic compatibility (EMC) on page 2*.
- Low Voltage Directive (LVD) 2014/35/EU. See *Safety on page 3*.
- Restriction of Hazardous Substances (RoHS) Directive 2011/65/EU and 2015/863, including any amendments, updates or replacements. See *Disposal and recycling on page 3*.

A copy of the original declaration of conformity may be obtained from Axis Communications AB. See *Contact information on page 3*.

Electromagnetic compatibility (EMC)

This equipment has been designed and tested to fulfill applicable standards for:

- Radio frequency emission when installed according to the instructions and used in its intended environment.
- Immunity to electrical and electromagnetic phenomena when installed according to the instructions and used in its intended environment.

USA

This device complies with part 15 of the FCC Rules. Operation is subject to the following two conditions:

1. This device may not cause harmful interference, and
2. this device must accept any interference received, including interference that may cause undesired operation.

This equipment has been tested using an unshielded network cable (UTP) and found to comply with the limits for a Class A digital device, pursuant to part 15 of the FCC rules. This equipment has also been tested using a shielded network cable (STP) and found to comply with the limits for a Class A digital device, pursuant to part 15 of the FCC rules. These limits are designed to provide reasonable protection against harmful interference when the equipment is operated in a commercial environment. This equipment generates, uses, and can radiate radio frequency energy and, if not installed and used in accordance with the instruction manual, may cause harmful interference to radio communications. Operation of this equipment in a residential area is likely to cause harmful interference in which case the user will be required to correct the interference at his own expense.

Contact information

Axis Communications Inc.
300 Apollo Drive
Chelmsford, MA 01824
United States of America
Tel: +1 978 614 2000

Canada

This digital apparatus complies with CAN ICES-3 (Class A). Cet appareil numérique est conforme à la norme CAN NMB-3 (classe A).

Europe

This digital equipment fulfills the requirements for RF emission according to the Class A limit of EN 55032. Notice! This is a Class A product. In a domestic environment this product may cause RF interference, in which case the user may be required to take adequate measures.

Australia/New Zealand

This digital equipment fulfills the requirements for RF emission according to the Class A limit of AS/NZS CISPR 32. Notice! This is a Class A product. In a domestic environment this product may cause RF interference, in which case the user may be required to take adequate measures.

Japan

この装置は、クラスA機器です。この装置を住宅環境で使用すると電波妨害を引き起こすことがあります。この場合には使用者が適切

な対策を講ずるよう要求されることがあります。VCCI - A

Korea

이 기기는 업무용 환경에서 사용할 목적으로 저함성평가를 받은 기기로서 가정용 환경에서 사용하는 경우 전파간섭의 우려가 있습니다.

Taiwan

警告：為避免電磁干擾，本產品不應安裝或使用於住宅環境。

Safety

This product complies with IEC/EN/UL 62368-1, safety of audio/video and IT equipment.

The power supply used with this product shall fulfill one of the following requirements:

- Safety Extra Low Voltage (SELV) according to CEC/NEC Class 2 source of supply as defined in the Canadian Electrical Code, CSA C22.1 and National Electrical Code, ANSI/NFPA 70
- Class 1 electrical energy source (ES1) and Class 2 power source (PS2) rated output power limited to ≤100 W according to IEC/EN/UL 62368-1

Korea

제조사: NEXCOM International Co., Ltd. (Hua-Ya Factory)

A/S연락처: 080-543-2100

Disposal and recycling

When this product has reached the end of its useful life, dispose of it according to local laws and regulations. For information about your nearest designated collection point, contact your local authority responsible for waste disposal. In accordance with local legislation, penalties may be applicable for incorrect disposal of this waste.

Europe



■ This symbol means that the product shall not be disposed of together with household or commercial waste. Directive 2012/19/EU on waste electrical and electronic equipment (WEEE) is applicable in the European Union member states. To prevent potential harm to human health and the environment, the product must be disposed of in an approved and environmentally safe recycling process. For information about your nearest designated collection point, contact your local authority responsible for waste disposal. Businesses should contact the product supplier for information about how to dispose of this product correctly.

This product complies with the requirements of Directive 2011/65/EU and 2015/863 on the restriction of the use of certain hazardous substances in electrical and electronic equipment (RoHS).

Taiwan

Declaration of the Presence Condition of the Restricted Substances Marking.

限用物質含有情況標示

設備名稱：伺服器裝置 型號 (型式) : AXIS S2108						
單元	限用物質及其化學符號					
	鉛 (Pb)	汞 (Hg)	鎘 (Cd)	六價鉻 (Cr ⁶⁺)	多溴聯苯 (PBB)	多溴二苯醚 (PBDE)
電路板	-	○	○	○	○	○
機箱	○	○	○	○	○	○
線材	○	○	○	○	○	○
電源供應器	-	○	○	○	○	○
備考1. “超出0.1 wt %” 及 “超出0.01 wt %” 係指限用物質之百分比含量超出百分比含量基準值。 備考2. “○” 係指該項限用物質之百分比含量未超出百分比含量基準值。 備考3. “-” 係指該項限用物質為排除項目。						

商品名稱：伺服器裝置

報驗義務人名稱：台灣安迅士網絡通訊股份有限公司

地址：臺北市內湖區瑞光路258巷39號6樓

Contact information

Axis Communications AB
Gränden 1
223 69 Lund
Sweden

Tel: +46 46 272 18 00
Fax: +46 46 13 61 30

axis.com

Warranty information

For information about Axis' product warranty and thereto related information, go to axis.com/warranty.

Support

Learn more!

Visit Axis learning center axis.com/learning for useful trainings, webinars, tutorials and guides.

English

Safety information

Hazard levels

▲DANGER

Indicates a hazardous situation which, if not avoided, will result in death or serious injury.

▲WARNING

Indicates a hazardous situation which, if not avoided, could result in death or serious injury.

▲CAUTION

Indicates a hazardous situation which, if not avoided, could result in minor or moderate injury.

NOTICE

Indicates a situation which, if not avoided, could result in damage to property.

Other message levels

Important

Indicates significant information which is essential for the product to function correctly.

Note

Indicates useful information which helps in getting the most out of the product.

Safety instructions

▲WARNING

Outdoor devices connected to the appliance must be placed on the same building as where the appliance is located. The devices must also be installed so they are protected from lightning strikes, for example under a roof.

NOTICE

- The Axis product shall be used in compliance with local laws and regulations.
- Store the Axis product in a dry and ventilated environment.
- Use only applicable tools when installing the Axis product. Using excessive force with power tools could cause damage to the product.
- Do not use chemicals, caustic agents, or aerosol cleaners.
- Use a clean cloth dampened with pure water for cleaning.
- Use only accessories that comply with the technical specification of your product. These can be provided by Axis or a third party. Axis recommends using Axis power source equipment compatible with your product.
- Use only spare parts provided by or recommended by Axis.
- Do not attempt to repair the product yourself. Contact Axis support or your Axis reseller for service matters.
- This equipment is not suitable for use in locations where children are likely to be present.
- Suitable for installation in Information Technology Rooms in accordance with Article 645 of the National Electrical Code and NFPA 75.

- Ensure to connect the power cord to a socket-outlet with earthing connection.
- Never open the equipment. For safety reasons, the equipment should be opened only by qualified Skilled person.

Transportation

NOTICE

- When transporting the Axis product, use the original packaging or equivalent to prevent damage to the product.

Battery

The Axis product uses a 3.0 V CR2032 lithium battery as the power supply for its internal real-time clock (RTC). Under normal conditions this battery will last for a minimum of five years.

▲WARNING

- Risk of explosion if the battery is incorrectly replaced.
- The battery should be replaced with an identical battery only.
- Used batteries should be disposed of according to local regulations or the battery manufacturer's instructions.

▲CAUTION

Do not replace the battery yourself. Contact Axis support if the log message requests a battery change.

Lithium coin cell 3.0 V batteries contain 1,2-dimethoxyethane; ethylene glycol dimethyl ether (EGDME), CAS no. 110-71-4.

Français

Informations sur la sécurité

Niveaux de risques

▲DANGER

Indique une situation dangereuse qui, si elle n'est pas évitée, entraînera le décès ou des blessures graves.

▲AVERTISSEMENT

Indique une situation dangereuse qui, si elle n'est pas évitée, pourrait entraîner le décès ou des blessures graves.

▲ATTENTION

Indique une situation dangereuse qui, si elle n'est pas évitée, pourrait entraîner des blessures légères ou modérées.

REMARQUE

Indique une situation qui, si elle n'est pas évitée, pourrait endommager l'appareil.

Autres niveaux de message

Important

Indique les informations importantes, nécessaires pour assurer le bon fonctionnement de l'appareil.

Remarque

Indique les informations utiles qui permettront d'obtenir le fonctionnement optimal de l'appareil.

Consignes de sécurité

⚠️ AVERTISSEMENT

Les périphériques d'extérieur connectés à l'appareil doivent être placés sur le même bâtiment que l'appareil. Les périphériques doivent également être installés de sorte à être protégés de la foudre, par exemple sous un toit.

REMARQUE

- Le produit Axis doit être utilisé conformément aux lois et règlements locaux.
- Conserver ce produit Axis dans un environnement sec et ventilé.
- Utiliser uniquement des outils recommandés pour l'installation de l'appareil Axis. L'application d'une force excessive sur l'appareil avec des outils puissants pourrait l'endommager.
- Ne pas utiliser de produits chimiques, de substances caustiques ou de nettoyeurs pressurisés.
- Utiliser un chiffon propre imbibé d'eau pure pour le nettoyage.
- Utiliser uniquement des accessoires conformes aux caractéristiques techniques de votre produit. Ils peuvent être fournis par Axis ou un tiers. Axis recommande d'utiliser un équipement d'alimentation Axis compatible avec votre produit.
- Utiliser uniquement les pièces de rechange fournies ou recommandées par Axis.
- Ne pas essayer de réparer vous-même ce produit. Contacter l'assistance technique d'Axis ou votre revendeur Axis pour des problèmes liés à l'entretien.
- Cet appareil ne convient pas à une utilisation dans des endroits où des enfants peuvent être présents.
- Convient à une installation dans les salles informatiques conformément à l'Article 645 du Code national de l'électricité (« National Electrical Code »), NFPA 75.
- Veillez à brancher le cordon d'alimentation à une prise de courant avec mise à la terre.
- Ne jamais ouvrir l'équipement. Pour des raisons de sécurité, seul un personnel qualifié est autorisé à ouvrir l'équipement.

Transport

REMARQUE

- Lors du transport du produit Axis, utilisez l'emballage d'origine ou un équivalent pour éviter d'endommager le produit.

Batterie

Le produit Axis utilise une batterie au lithium CR2032 3,0 V comme alimentation de son horloge en temps réel interne (RTC). Dans des conditions normales, cette batterie a une durée de vie minimale de cinq ans.

⚠️ AVERTISSEMENT

- Risque d'explosion si la batterie est remplacée de façon incorrecte.
- La batterie doit être remplacée par une batterie identique uniquement.
- Les batteries usagées doivent être mises au rebut conformément aux réglementations locales ou aux instructions du fabricant de la batterie.

⚠️ ATTENTION

Ne remplacez pas la batterie vous-même. Contactez le support Axis si le message du journal demande un changement de batterie.

Les piles boutons 3,0 V au lithium contiennent du 1,2-diméthoxyéthane, éthylène glycol diméthyl éther (EGDME), CAS n° 110-71-4.

Deutsch

Sicherheitsinformationen

Gefährdungsstufen

⚠️ GEFAHR

Weist auf eine gefährliche Situation hin, welche, falls nicht verhindert, zu Tod oder schweren Verletzungen führen kann.

⚠️ WARNUNG

Weist auf eine gefährliche Situation hin, welche, falls nicht verhindert, zu Tod oder schweren Verletzungen führen kann.

⚠️ VORSICHT

Weist auf eine gefährliche Situation hin, welche, falls nicht verhindert, zu geringfügiger oder mäßiger Verletzung führen kann.

HINWEIS

Weist auf eine gefährliche Situation hin, welche, falls nicht verhindert, zu Sachschäden führen kann.

Andere Meldeebenen

Wichtig

Weist auf wichtige Informationen hin, die den richtigen Betrieb des Produkts gewährleisten.

Hinweis

Weist auf nützliche Informationen hin, die die optimale Verwendung des Produkts unterstützen.

Sicherheitsanweisungen

⚠️ WARNUNG

Geräte im Außenbereich müssen sich auf demselben Gebäude befinden, in dem die Vorrichtung installiert ist. Die Geräte müssen vor Blitzschlag geschützt installiert werden, also zum Beispiel unter einem entsprechend geschützten Dach.

HINWEIS

- Das Axis Produkt muss unter Beachtung der geltenden Gesetze und Bestimmungen betrieben werden.
- Lagern Sie das Axis Produkt in einer trockenen und belüfteten Umgebung.
- Verwenden Sie bei der Installation des Axis Produkts ausschließlich passende Werkzeuge. Ein zu großer Kraftaufwand mit elektrischen Werkzeugen kann das Produkt beschädigen.
- Verwenden Sie keine chemischen, ätzenden oder aerosolhaltigen Reinigungsmittel.
- Verwenden Sie zum Reinigen ein sauberes, mit destilliertem Wasser angefeuchtetes Tuch.

- Verwenden Sie nur Zubehör, das den technischen Vorgaben Ihres Produkts entspricht. Dieses ist von Axis oder Drittanbietern erhältlich. Axis empfiehlt die mit Ihrem Produkt kompatible Stromversorgung von Axis.
- Verwenden Sie ausschließlich Ersatzteile die von Axis angeboten oder empfohlen werden.
- Versuchen Sie nicht, dieses Produkt selbstständig zu reparieren. Wenden Sie sich bezüglich Reparatur und Wartung an den Axis Support oder Ihren Axis Händler.
- Dieses Gerät ist nicht für die Verwendung an Orten geeignet, an denen sich möglicherweise Kinder aufhalten.
- Geeignet für die Installation in IT-Räumen gemäß Artikel 645 der nationalen Elektrizitätsrichtlinie und NFPA 75.
- Sicherstellen, dass das andere Ende des Stromkabels an eine geerdete Steckdose angeschlossen wird.
- Niemals das Gehäuse öffnen. Aus Sicherheitsgründen darf die Ausrüstung nur von Personen mit entsprechender Sach- und Fachkunde geöffnet werden.

Transport

HINWEIS

- Bei Bedarf transportieren Sie das Axis Produkt in der Originalverpackung oder einer entsprechenden Verpackung, so dass Schäden vermieden werden.

Batterie

Das Axis Produkt ist mit einer 3,0 V-CR2032-Lithium-Batterie ausgestattet, mit der die interne Echtzeituhr (RTC) versorgt wird. Unter normalen Bedingungen hat die Batterie eine Lebensdauer von mindestens fünf Jahren.

⚠️ WARNUNG

- Explosionsgefahr bei fehlerhaftem Batteriewechsel.
- Die Batterie darf nur durch eine identische Batterie ersetzt werden.
- Verbrauchte Batterien gemäß den örtlichen Vorschriften oder den Anweisungen des Herstellers entsorgen.

⚠️ VORSICHT

Tauschen Sie die Batterie nicht selbst aus. Wenden Sie sich an den Axis Support, wenn die Protokollnachricht einen Batterietausch anfordert.

Lithium-Knopfzellen (3,0 V) enthalten 1,2-Dimethoxyethan; Ethylenglycoldimethylether (EGDME), CAS-Nr. 110-71-4.

Italiano

Informazioni di sicurezza

Livelli di pericolo

⚠️ PERICOLO

Indica una situazione pericolosa che, se non evitata, provoca morte o lesioni gravi.

⚠️ AVVISO

Indica una situazione pericolosa che, se non evitata, potrebbe provocare la morte o lesioni gravi.

⚠️ ATTENZIONE

Indica una situazione pericolosa che, se non evitata, potrebbe provocare lesioni medie o minori.

⚠️ AVVISO

Indica una situazione che, se non evitata, potrebbe danneggiare la proprietà.

Altri livelli di messaggio

Importante

Indica informazioni importanti, essenziali per il corretto funzionamento del dispositivo.

Nota

Indica informazioni utili che aiutano a ottenere il massimo dal dispositivo.

Informazioni di sicurezza

⚠️ AVVISO

I dispositivi esterni connessi all'apparecchio devono essere posizionati sullo stesso edificio in cui si trova l'apparecchio. I dispositivi devono essere inoltre installati in modo da essere protetti da fulmini, ad esempio sotto un tetto.

⚠️ AVVISO

- Il dispositivo Axis deve essere utilizzato in conformità alle leggi e alle normative locali.
- Conservare il dispositivo Axis in un ambiente asciutto e ventilato.
- Utilizzare solo strumenti applicabili quando si installa il dispositivo Axis. Se si utilizza una forza eccessiva con strumenti non adatti è possibile causare danni al dispositivo.
- Non utilizzare sostanze chimiche, agenti caustici o detergenti aerosol.
- Utilizzare un panno pulito inumidito in acqua pura per la pulizia.
- Utilizzare solo accessori compatibili con le specifiche tecniche del dispositivo. Questi possono essere forniti da Axis o da terze parti. Axis consiglia l'uso dell'apparecchiatura di alimentazione Axis compatibile con il dispositivo.
- Utilizzare solo parti di ricambio fornite o consigliate da Axis.
- Non tentare di riparare il dispositivo da soli. Contattare l'assistenza o il rivenditore Axis per questioni relative alla manutenzione.
- Questo dispositivo non è adatto per l'uso in luoghi in cui potrebbero essere presenti bambini.
- Adatto per installazioni in locali informatici in conformità all'articolo 645 del National Electrical Code e del codice NFPA 75.
- Verificare di aver collegato il cavo di alimentazione alla presa di corrente con collegamento di messa a terra.
- Non aprire mai il dispositivo. Per motivi di sicurezza, il dispositivo deve essere aperto solo da persona esperta qualificata.

Transporto

⚠️ AVVISO

- Durante il trasporto del dispositivo Axis, utilizzare l'imballaggio originale o equivalente per evitare danni al dispositivo.

Batteria

Il dispositivo Axis utilizza una batteria al litio da 3 V CR2032 come alimentazione per il suo orologio in tempo reale (RTC) interno. In condizioni normali questa batteria avrà una durata minima di cinque anni.

⚠AVVISO

- Rischio di esplosione se la batteria viene sostituita in modo errato.
- La batteria può essere sostituita solo con una batteria identica.
- Le batterie esaurite devono essere smaltite in base alle normative locali o alle istruzioni del produttore della batteria.

⚠ATTENZIONE

Non sostituire la batteria da soli. Contattare l'assistenza di Axis se il messaggio di registro richiede una sostituzione della batteria.

Le batterie a bottone al litio da 3 V contengono 1,2-dimetossietano; etere dimetilico di glicole etilenico (EGDME), CAS n. 110-71-4.

Español

Información de seguridad

Niveles de peligro

⚠PELIGRO

Indica una situación peligrosa que, si no se evita, provocará lesiones graves o la muerte.

⚠ADVERTENCIA

Indica una situación peligrosa que, si no se evita, puede provocar lesiones graves o la muerte.

⚠PRECAUCIÓN

Indica una situación peligrosa que, si no se evita, puede provocar lesiones moderadas o leves.

AVISO

Indica una situación peligrosa que, si no se evita, puede provocar daños materiales.

Otros niveles de mensaje

Importante

Indica información importante que es fundamental para que el producto funcione correctamente.

Nota

Indica información útil que ayuda a aprovechar el producto al máximo.

Instrucciones de seguridad

⚠ADVERTENCIA

Los dispositivos de exterior conectados al aparato se deben colocar en el mismo edificio en el que se encuentre el aparato. Los dispositivos también deben instalarse de manera que estén protegidos de los rayos, por ejemplo, bajo un tejado.

AVISO

- Este producto de Axis debe utilizarse de acuerdo con las leyes y normativas locales.
- Almacene el producto de Axis en un entorno seco y ventilado.
- Utilice solo las herramientas correspondientes cuando instale el producto de Axis. La aplicación de una fuerza excesiva con herramientas eléctricas puede provocar daños en el producto.
- No utilice limpiadores en aerosol, agentes cáusticos ni productos químicos.
- Limpie con un paño limpio humedecido con agua pura.
- Utilice solo accesorios que cumplan con las especificaciones técnicas de su producto. Estos accesorios los puede proporcionar Axis o un tercero. Axis recomienda utilizar un equipo de suministro de alimentación de Axis compatible con su producto.
- Utilice solo piezas de repuesto proporcionadas o recomendadas por Axis.
- No intente reparar el producto usted mismo. Póngase en contacto con el servicio de asistencia técnica de Axis o con su distribuidor de Axis para tratar asuntos de reparación.
- Este equipo no es adecuado para su uso en lugares donde es probable que haya presencia de niños.
- Adecuado para la instalación en salas de tecnología de la información, de conformidad con el artículo 645 del Código Eléctrico Nacional y la NFPA 75.
- Asegúrese de conectar el cable de alimentación a una toma de corriente con conexión a tierra.
- Nunca abra el equipo. Por motivos de seguridad, solo el personal formado y cualificado debe abrir el equipo.

Transporte

AVISO

- Cuando transporte el producto de Axis, utilice el embalaje original o un equivalente para evitar daños en el producto.

Batería

Este producto de Axis utiliza una batería de litio CR2032 de 3,0 V como fuente de alimentación del reloj interno en tiempo real. En condiciones normales, esta batería durará un mínimo de cinco años.

⚠ADVERTENCIA

- La sustitución incorrecta de la batería implica riesgo de explosión.
- La batería solo debe sustituirse por una batería idéntica.
- Las baterías usadas deben desecharse de conformidad con la normativa local o las instrucciones del fabricante.

⚠PRECAUCIÓN

No sustituya la batería usted mismo. Póngase en contacto con el servicio de asistencia técnica de Axis si el mensaje de registro solicita un cambio de batería.

Las pilas de botón de litio de 3,0 V contienen 1,2-dimetoxietano; éter dimetilico de etilenglicol (EGDME), n.º CAS 110-71-4.

日本語

安全情報

危険レベル

▲危険

回避しない場合、死亡または重傷につながる危険な状態を示します。

▲警告

回避しない場合、死亡または重傷につながるおそれのある危険な状態を示します。

▲注意

回避しない場合、軽傷または中程度の怪我につながるおそれのある危険な状態を示します。

注意

回避しない場合、器物の破損につながるおそれのある状態を示します。

その他のメッセージレベル

重要

製品を正しく機能させるために不可欠な重要情報を示します。

注

製品を最大限に活用するために役立つ有用な情報を示します。

安全手順

▲警告

- 本製品に接続される屋外用デバイスは、製品が設置されている同じ建物に配置する必要があります。また、落雷から保護するためにデバイスを屋根の下などに設置する必要があります。
- 製品に付属している電源ケーブルおよび部分品は同梱の製品専用部品であり、他の機器に使用することはできません。また、付属の電源ケーブル以外のものを本機器に使用しないでください。

注意

- 本製品は、お使いになる地域の法律や規制に準拠して使用してください。
- 本製品は乾燥した換気のよい環境に保管してください。
- 本製品を設置するには、適切な工具のみを使用してください。電動工具を使用すると過剰な力をかけると、製品が損傷することがあります。
- 化学薬品、腐食剤、噴霧式クリーナーは使用しないでください。
- 清掃には、きれいな水に浸した清潔な布を使用してください。
- 製品の技術仕様に準拠したアクセサリーののみを使用してください。これらのアクセサリーは、Axisまたはサードパーティから入手できます。Axisは、ご使用の製品と互換性のあるAxis給電ネットワークスイッチの使用を推奨します。
- Axisが提供または推奨する交換部品のみを使用してください。

- 製品を自分で修理しないでください。修理については、Axisサポートまたは販売代理店にお問い合わせください。
- 本製品は、お子様がいる可能性がある場所での使用に適していません。
- 米国電気工事規定およびNFPA 75のArticle 645に準拠した情報技術ルームでの設置に適しています。
- 電源ケーブルをアース接続のあるコンセントに接続していることを確認してください。
- 本装置を絶対に開けないでください。安全上の理由から、本装置はスキルを備えた有資格者だけが開けるようにしてください。

輸送

注意

- 本製品を運搬する際は、製品が損傷しないよう、元の梱包が同等の梱包を使用してください。

バッテリー

本製品は、内部リアルタイムクロック (RTC) 用電源として、3.0 V CR2032リチウムバッテリーを使用します。このバッテリーは、通常条件下で最低5年間使用できます。

▲警告

- バッテリーは、正しく交換しないと爆発する危険があります。
- バッテリーを交換する場合は、同一品ののみを使用してください。
- 使用済みバッテリーは、地域の規制またはバッテリーメーカーの指示に従って廃棄してください。

▲注意

自分でバッテリーを交換しないでください。バッテリー交換を求めるログメッセージが表示された場合は、Axisサポートにお問い合わせください。

リチウムコイン型3.0 V電池は、1,2-ジメトキシエタン (エチレングリコールジメチルエーテル (EGDME)、CAS番号110-71-4) を含有しています。

Português

Informações sobre segurança

Níveis de perigo

▲PERIGO

Indica uma situação perigosa que, se não evitada, irá resultar em morte ou lesões graves.

▲AVISO

Indica uma situação perigosa que, se não evitada, poderá resultar em morte ou lesões graves.

▲CUIDADO

Indica uma situação perigosa que, se não evitada, poderá resultar em lesões leves ou moderadas.

OBSERVAÇÃO

Indica uma situação perigosa que, se não evitada, poderá resultar em danos à propriedade.

Outros níveis de mensagens

Importante

Indica informações significativas que são essenciais para o produto funcionar corretamente.

Observação

Indica informações úteis que ajudam a obter o máximo do produto.

Instruções de segurança

⚠ AVISO

Dispositivos externos conectados ao dispositivo deverão ser colocados no mesmo prédio em que o dispositivo está localizado. Os dispositivos também devem ser instalados de modo a permanecer protegidos contra raios, por exemplo, sob um telhado.

OBSERVAÇÃO

- O produto Axis deve ser usado em conformidade com as leis e regulamentações locais.
- Armazene o produto Axis em um ambiente seco e ventilado.
- Use apenas as ferramentas recomendadas ao instalar o produto Axis. O uso de força excessiva com ferramentas elétricas poderia danificar o produto.
- Não use produtos químicos, agentes cáusticos ou limpadores aerossóis.
- Use um pano limpo úmido para limpar o produto.
- Utilize apenas acessórios que atendam às especificações técnicas do produto. Esses poderão ser fornecidos pela Axis ou por terceiros. A Axis recomenda usar equipamento de fonte de alimentação Axis compatível com seu produto.
- Utilize apenas peças sobressalentes fornecidas ou recomendadas pela Axis.
- Não tente reparar o produto por conta própria. Entre em contato com o suporte ou seu revendedor Axis para quaisquer questões relacionadas a serviços.
- Este equipamento não é adequado para uso em locais com possível presença de crianças.
- Ele é indicado para instalação em salas de tecnologia da informação de acordo com o Artigo 645 do Código Elétrico Nacional (EUA) e NFPA 75.
- Certifique-se de conectar o cabo de alimentação a uma tomada com conexão de aterramento.
- Nunca abra o equipamento. Por questões de segurança, o equipamento deve ser aberto somente por pessoas qualificadas especializadas.

Transporte

OBSERVAÇÃO

- Ao transportar o produto Axis, use a embalagem original ou equivalente para evitar danos ao produto.

Bateria

Este produto Axis usa uma bateria de lítio CR2032 de 3,0 V como fonte de alimentação para seu relógio de tempo real (RTC) interno. Em condições normais, a vida útil mínima da bateria é de cinco anos.

⚠ AVISO

- A troca incorreta da bateria poderá representar risco de explosão.

- A bateria deve ser substituída somente por uma bateria idêntica.
- Baterias usadas devem ser descartadas de acordo com as regulamentações locais ou as instruções do fabricante da bateria.

⚠ CUIDADO

Não substitua a bateria por conta própria. Entre em contato com o suporte da Axis se a mensagem do log solicitar uma substituição de bateria.

As baterias tipo célula de íons de lítio de 3,0 V contêm 1,2-dimetoxietano; etileno glicol éter dimetilíco (EGDME), nº CAS 110-71-4.

РУССКИЙ

Сведения по безопасности

Уровни опасности

⚠ ОПАСНО

Опасная ситуация, которая, если ее не устранить, приведет к смерти или опасным травмам.

⚠ ВНИМАНИЕ!

Опасная ситуация, которая, если ее не устранить, может привести к смерти или опасным травмам.

⚠ ОСТОРОЖНО

Опасная ситуация, которая, если ее не устранить, может привести к травмам незначительной или средней тяжести.

ПРИМЕЧАНИЕ

Опасная ситуация, которая, если ее не устранить, может вызвать повреждение имущества.

Прочие уведомления

Важно!

Означает существенную информацию, которая важна для правильной работы изделия.

Примечание.

Означает полезную информацию, которая помогает использовать все возможности изделия.

Правила безопасности

⚠ ВНИМАНИЕ!

Работающее на открытом воздухе оборудование, подключаемое к устройству, должно устанавливаться на то же здание, внутри которого находится устройство. Оборудование необходимо устанавливать таким образом, чтобы оно было защищено от ударов молнии (например, под крышей).

ПРИМЕЧАНИЕ

- Это изделие Axis следует использовать в соответствии с местными законами и нормативами.
- Устройство Axis должно храниться в сухом, хорошо проветриваемом помещении.
- При установке устройства Axis используйте только предназначенные для этого инструменты.

Приложение чрезмерных усилий к инструментам может привести к повреждению устройства.

- Не используйте химикалии, едкие вещества или аэрозольные очистители.
- Для очистки используйте чистую ткань, смоченную чистой водой.
- Используйте только принадлежности, которые соответствуют техническим характеристикам данного устройства. Они могут поставляться компанией Axis или сторонним производителем. Компания Axis рекомендует использовать блоки питания Axis, совместимые с устройством.
- Используйте только запасные части, поставляемые или рекомендованные компанией Axis.
- Не пытайтесь отремонтировать устройство самостоятельно. По вопросам обслуживания обращайтесь в службу поддержки Axis или к своему реселлеру Axis.
- Данное оборудование не подходит для применения в местах возможного присутствия детей.
- Подходит для установки в помещениях для оборудования информационных технологий в соответствии со статьей 645 Национальных правил эксплуатации электроустановок и NFPA 75.
- Шнур питания должен быть подключен к розетке с заземляющим контактом.
- Никогда не открывайте оборудование. По соображениям безопасности оборудование должно открываться только опытным, квалифицированным специалистом.

Транспортировка

ПРИМЕЧАНИЕ

- При транспортировке устройства Axis используйте оригинальную упаковку или ее эквивалент во избежание повреждения изделия.

Батарея

В качестве источника питания для внутренних часов реального времени в этом устройстве Axis используется литиевая батарея CR2032 с напряжением 3 В. При нормальных условиях эта батарея способна работать не менее пяти лет.

ВНИМАНИЕ!

- При неправильной замене батареи возможен взрыв.
- Замену следует проводить только на идентичную батарею.
- Утилизация использованных батарей должна выполняться в соответствии с местными нормативными требованиями или указаниями производителя батарей.

ОСТОРОЖНО

Не заменяйте батарею самостоятельно. Если сообщение журнала содержит запрос на замену батареи, обратитесь в службу поддержки Axis.

Плоские литиевые батареи (3,0 В) содержат 1,2-диметоксизтан — диметилловый эфир этиленгликоля (EGDME), CAS № 110-71-4.

Безопасность

Уровни опасности

▲ **Опасно**

表示如果不避免则会导致死亡或严重伤害的危险情况。

▲ **警告**

表示如果不避免则可能导致死亡或严重伤害的危险情况。

▲ **警告**

表示如果不避免则可能导致轻微或中度伤害的危险情况。

▲ **注意**

表示如果不避免则可能导致财产损失的情况。

其他消息等级

重要

表示产品正常工作所必需的重要信息。

注

表示有助于充分利用产品的有用信息。

安全说明

▲ **警告**

连接到装置的室外设备必须放置在装置所在的同一建筑物上。另外还必须安装设备，以防止其被雷击，例如，安装在屋顶下。

注意

- 使用 Axis 产品时应遵守当地法律和法规。
- 在干燥通风的环境中存放安讯士产品。
- 安装安讯士产品时，仅使用适用的工具。使用电动工具过度施力可能导致产品损坏。
- 请勿使用化学品、腐蚀剂或气雾剂。
- 使用蘸纯净水的干净布进行清洁。
- 仅使用符合产品技术规格的附件。这些附件可由安讯士或第三方提供。安讯士推荐使用与产品兼容的安讯士电源设备。
- 仅使用安讯士提供或推荐的备件。
- 请勿尝试自行维修产品。有关服务事项，请联系安讯士支持部门或安讯士经销商。
- 此设备不适合用于儿童可能出现的位置。
- 适合按照国家电气规范第 645 条和 NFPA 75 安装在劳技室内。
- 确保将电源线连接至具有接地连接的插座。
- 切勿打开设备。出于安全原因，应该仅由经验丰富的合格人员打开设备。

运输

注意

- 安讯士产品运输途中，应使用其原包装或等效包装，以防对产品造成损坏。

电池

安讯士产品使用 3.0 V CR2032 锂电池作为其内部实时时钟 (RTC) 的电源。在正常情况下，此电池将持续至少五年。

▲ **警告**

- 如果未正确更换电池，则存在爆炸危险。
- 应仅更换上同型号的电池。
- 应根据当地法规或电池制造商的说明处理废旧电池。

▲警告

请勿自行更换电池。如果日志消息要求更换电池，请联系安讯士支持部门。

3.0V 纽扣锂电池内含 1,2-二甲氧基乙烷；乙二醇二甲醚 (EGDME)，CAS 编号为 110-71-4。

한국어

안전 정보

위험 레벨

▲위험

피하지 못한 경우 사망이나 심각한 부상이 발생하는 위험한 상황을 나타냅니다.

▲경고

피하지 못한 경우 사망이나 심각한 부상이 발생할 수 있는 위험한 상황을 나타냅니다.

▲주의

피하지 못한 경우 경미하거나 심하지 않은 부상이 발생할 수 있는 위험한 상황을 나타냅니다.

통지

피하지 못한 경우 재산상 손해가 발생할 수 있는 상황을 나타냅니다.

기타 메시지 레벨

중요 사항

제품이 올바르게 작동하는 데 필수적인 중요 정보를 나타냅니다.

참고

제품을 최대한으로 활용하는 데 도움이 되는 유용한 정보를 나타냅니다.

안전 지침

▲경고

기기에 연결된 실외 장치들은 반드시 연결되어 있는 기기와 같은 건물에 위치해야 합니다. 지붕 아래와 같이 벽락으로부터 보호받을 수 있는 장소에 이 장치들을 설치해야 합니다.

통지

- Axis 제품은 해당 지역 법률 및 규정을 준수하여 사용해야 합니다.
- Axis 제품은 건조하고 환기가 잘 되는 곳에 보관하십시오.
- Axis 제품을 설치할 경우 해당 도구만 사용하십시오. 전동 공구로 과도한 힘을 사용하면 제품에 손상을 줄 수 있습니다.
- 화학 물질, 부식제, 에어로졸 세척제를 사용하지 마십시오.
- 깨끗한 물에 적신 깨끗한 천을 사용하여 닦으십시오.
- 제품의 기술적 사양을 준수하는 액세서리만 사용하십시오. 이러한 액세서리는 Axis 또는 제3자가 제공할 수 있습니다. Axis는 귀하의 제품과 호환되는 Axis 전원 장비를 사용할 권합니다.
- Axis가 공급하거나 추천하는 예비 부품만 사용하십시오.

- 제품을 직접 수리하려고 하지 마십시오. 서비스 문제에 대해 Axis 지원 부서 또는 Axis 셀러에 문의하십시오.
- 이 장치는 어린이가 접근할 수 있는 곳에서 사용하기에 적합하지 않습니다.
- 미국 전기법 645항 및 NFPA 75에 따라 IT 관련 공간에 설치하는 것이 좋습니다.
- 전자기 연결이 있는 콘센트에 전원 코드를 연결하십시오.
- 철대로 해당 장비를 개봉하지 마십시오. 안면천상의 이유로 해당 장비는 반드시 숙련된 사람이 개봉해야 합니다.

운반

통지

- Axis 제품을 운반할 때는 원래 포장이나 이에 준하는 포장을 사용해 제품이 손상되지 않도록 하십시오.

배터리

Axis 제품은 3.0V CR2032 리튬 배터리를 내부 RTC(real-time clock)의 전원으로 사용합니다. 정상 조건에서 이 배터리는 최소 5년간 사용할 수 있습니다.

▲경고

- 배터리를 올바르게 교체하지 않으면 폭발 위험이 있습니다.
- 배터리는 동일한 배터리로만 교체해야 합니다.
- 사용한 배터리는 해당 지역 규정 또는 배터리 제조업체의 지침에 따라 폐기하십시오.

▲주의

배터리를 직접 교체하지 마십시오. 로그 메시지가 배터리 교체를 요청하면 Axis 지원 센터에 문의하십시오.

리튬 코인 셀 3.0V 배터리는 1,2-디메톡시에탄, EGDME(ethylene glycol dimethyl ether), CAS no. 110-71-4를 포함하고 있습니다.

繁體中文

安全資訊

危險等級

▲危險

表示如果不避免，此危險情況會導致死亡或嚴重傷害。

▲警告

表示如果不避免，此危險情況可能導致死亡或嚴重傷害。

▲小心

表示如果不避免，此危險情況可能導致輕度或中度傷害。

注意

表示如果不避免，此情況可能導致財產損壞。

其他訊息等級

重要

表示是產品正常運作所不可缺少的重要資訊。

備註

表示是能充分發揮產品功能的實用資訊。

安全指示

⚠警告

連線到應用裝置的戶外裝置必須跟應用裝置一樣，放置於同一建築物內。裝置的安裝也必須能防止雷擊，例如安裝於屋頂下。

注意

- 使用 Axis 產品時，應符合當地法律及法規。
- 請將 Axis 產品存放在乾燥且通風良好的環境中。
- 安裝 Axis 產品時，僅可使用適合的工具。使用電動工具時，過度施力可能會造成產品損壞。
- 請勿使用化學品、鹼劑或噴霧清潔劑。
- 使用以純水沾濕的乾淨布料進行清潔。
- 所有配件必須符合產品的技術規格。可由 Axis 或第三方供應商提供。Axis 建議使用相容於產品的 Axis 電源設備。
- 只使用 Axis 提供或推薦的備用零件。
- 請勿嘗試自行修理產品。請向 Axis 技術支援人員或 Axis 經銷商洽詢維修事宜。
- 本設備不適用於兒童可能在場的位置。
- 根據美國電氣法規第 645 條與 NFPA 75 的規定，適用於安裝於資訊科技機房。
- 請確定將電源線連接至接地的電源插座。
- 切勿拆開設備。僅應由技術熟練的合格人員拆開設備，以策安全。

運輸

注意

- 當運送安訊士產品時，請使用原包裝或有相同保護效果的包裝，以防止產品損壞。

電池

本 Axis 產品使用一顆 3.0 V CR2032 鋰電池做為其內建即時時鐘 (RTC) 供電。在一般情況下，此電池至少耐用五年。

⚠警告

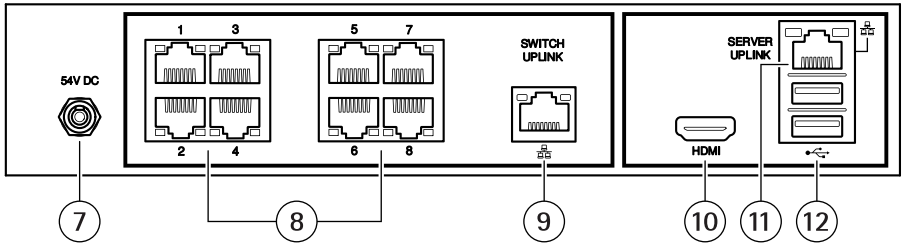
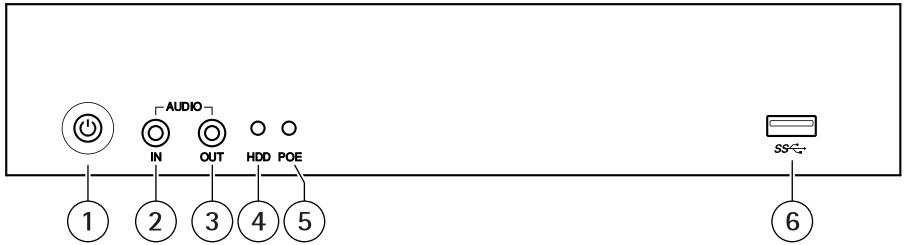
- 如果電池更換不當，會有爆炸的危險。
- 應使用相同的電池進行更換。
- 廢電池應依照當地法規或電池製造商的指示做妥善的回收處理。

⚠小心

請勿自行更換電池。如果記錄訊息要求更換電池，請聯絡 Axis 支援人員。

鋰離子 3.0 V 鈕扣電池內含二甲基溶劑 (1,2-dimethoxyethane)；乙二醇 (ethylene glycol) 二甲醚 (dimethyl ether) (EGDME)，CAS 編號 110-71-4。

AXIS Camera Station S2108 Appliance



- 1 Power button/power LED
- 2 Audio in
- 3 Audio out
- 4 Hard drive activity LED
- 5 PoE overload LED
- 6 USB 3.0 port
- 7 Power connector
- 8 PoE ports
- 9 RJ45 switch uplink port
- 10 HDMI port
- 11 RJ45 server uplink port
- 12 USB 2.0 ports

Français

1. Bouton d'alimentation/power LED
2. Entrée audio
3. Sortie audio
4. LED d'activité du disque dur
5. LED de surcharge de l'alimentation électrique par Ethernet
6. Port USB 3.0
7. Connecteur d'alimentation
8. Ports PoE
9. Port de liaison montante commutateur RJ45
10. Port HDMI
11. Port de liaison montante serveur RJ45
12. Ports USB 2.0

Deutsch

1. Netzschalter/Netz-LED
2. Audio-Eingang
3. Audio-Ausgang
4. LED für Laufwerksaktivität
5. Überlast-LED PoE
6. USB-3.0-Port
7. Stromanschluss
8. PoE-Ports
9. RJ45-Port Switch Uplink
10. HDMI-Port
11. RJ45-Port Server Uplink
12. USB-2.0-Ports

Italiano

1. Tasto di accensione/LED di accensione
2. Ingresso audio
3. Uscita audio
4. LED attività disco rigido
5. LED sovraccarico PoE
6. Porta USB 3.0
7. Connettore di alimentazione
8. Porte PoE
9. Porta uplink switch RJ45
10. Porta HDMI
11. Porta uplink server RJ45
12. Porte USB 2.0

Español

1. Botón de encendido/LED de encendido
2. Entrada de audio
3. Salida de audio
4. LED de actividad del disco duro
5. LED de sobrecarga de PoE
6. Puerto USB 3.0
7. Conector de alimentación
8. Puertos PoE
9. Puerto de enlace ascendente de switch RJ45
10. Puerto HDMI
11. Puerto de enlace ascendente de servidor RJ45
12. Puertos USB 2.0

日本語

1. 電源ボタン/電源LED
2. 音声入力
3. 音声出力
4. ハードドライブアクティビティLED
5. PoE過負荷LED
6. USB 3.0ポート
7. 電源コネクタ
8. PoEポート
9. RJ45スイッチアップリンクポート
10. HDMIポート
11. RJ45サーバーアップリンクポート
12. USB 2.0ポート

Português

1. Botão liga/desliga, LED de energia
2. Entrada de áudio
3. Saída de áudio
4. LED de atividade do disco rígido
5. LED de sobrecarga de PoE
6. Porta USB 3.0
7. Conector de energia
8. Portas PoE
9. Porta RJ45 para uplink de switch
10. porta HDMI™
11. Porta RJ45 para uplink de servidor
12. Portas USB 2.0

РУССКИЙ

1. Кнопка / светодиодный индикатор питания
2. Вход аудио
3. Выход аудио
4. Светодиодный индикатор работы жесткого диска
5. Светодиодный индикатор перегрузки PoE
6. Порт USB 3.0
7. Разъем питания
8. Порты PoE
9. Разъем RJ45 коммутатора каналов исходящей связи
10. порт HDMI
11. Разъем RJ45 сервера исходящей связи
12. Порты USB 2.0

中文

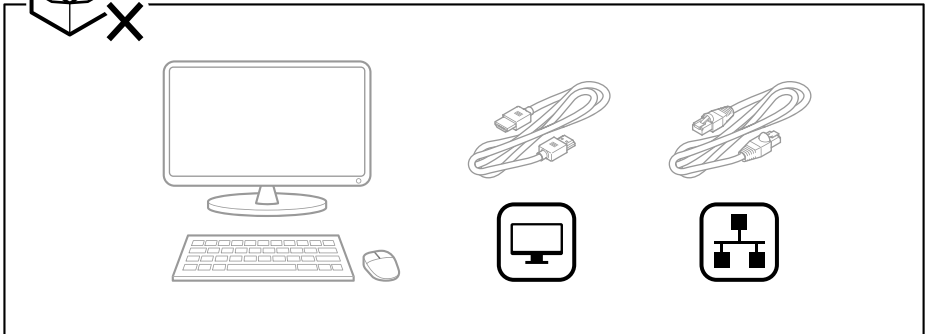
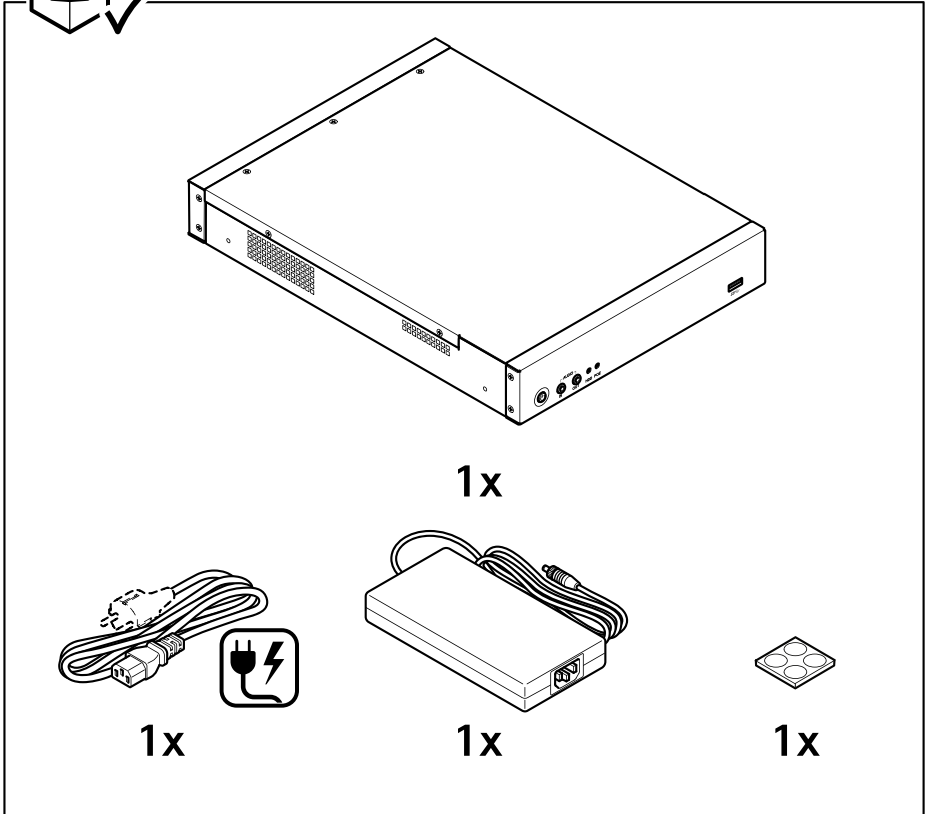
1. 电源按钮/电源LED指示灯
2. 音频输入
3. 音频输出
4. 硬盘状态LED指示灯
5. PoE过载LED指示灯
6. USB 3.0端口
7. 电源连接器
8. PoE端口
9. RJ45交换机上行链路端口
10. HDMI端口

11. RJ45服务器上行链路端口
12. USB 2.0端口

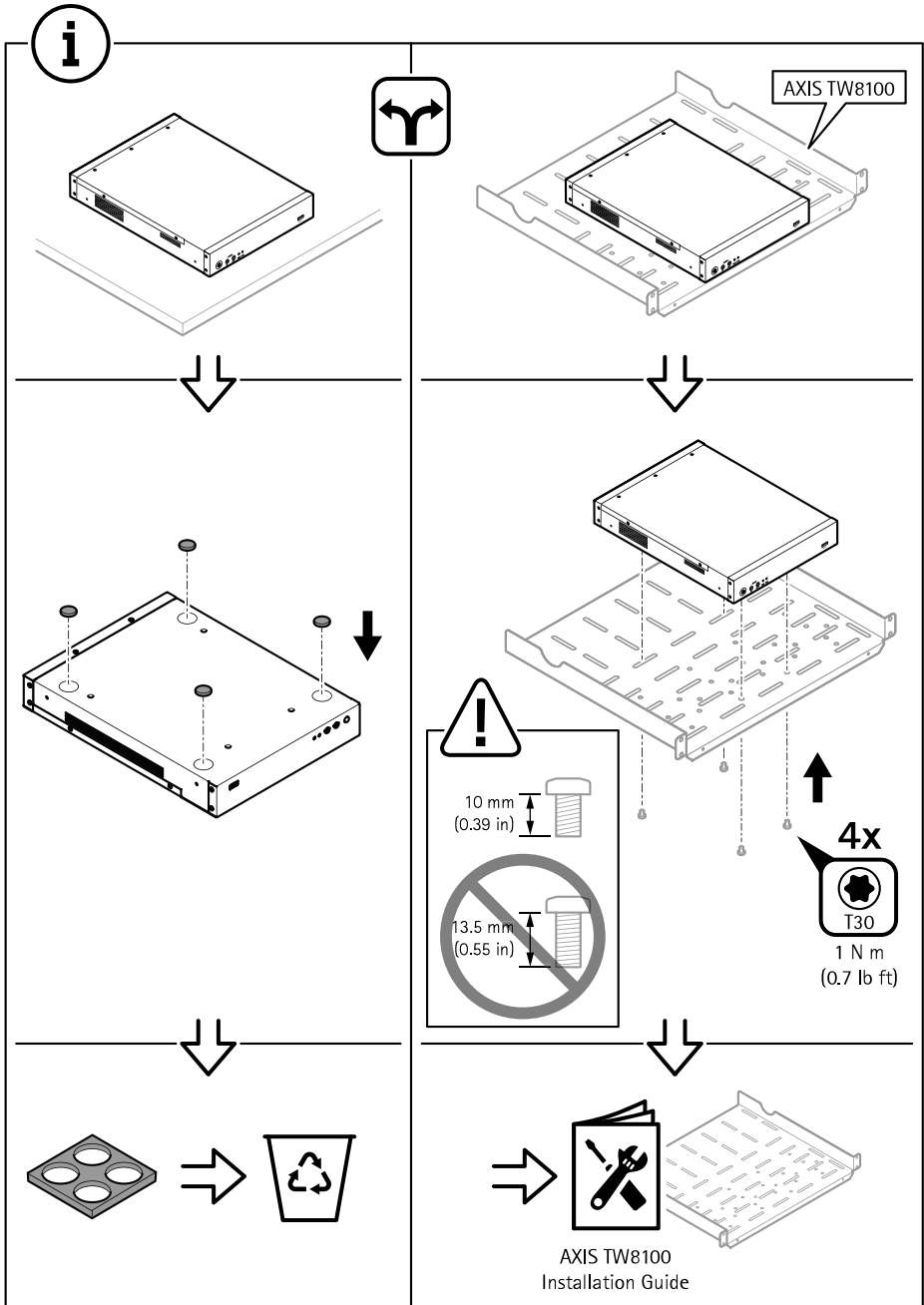
한국어

1. 전원 버튼/전원 LED
2. 오디오 입력
3. 오디오 출력
4. 하드 드라이브 작동 LED
5. PoE 과부하 LED
6. USB 3.0 포트
7. 전원 커넥터
8. PoE 포트
9. RJ45 스위치 업링크 포트
10. HDMI 포트
11. RJ45 서버 업링크 포트
12. USB 2.0 포트

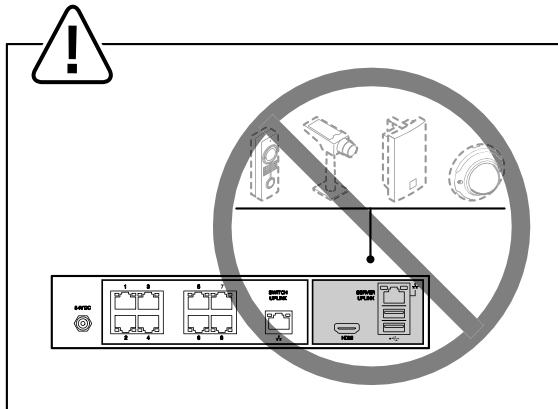
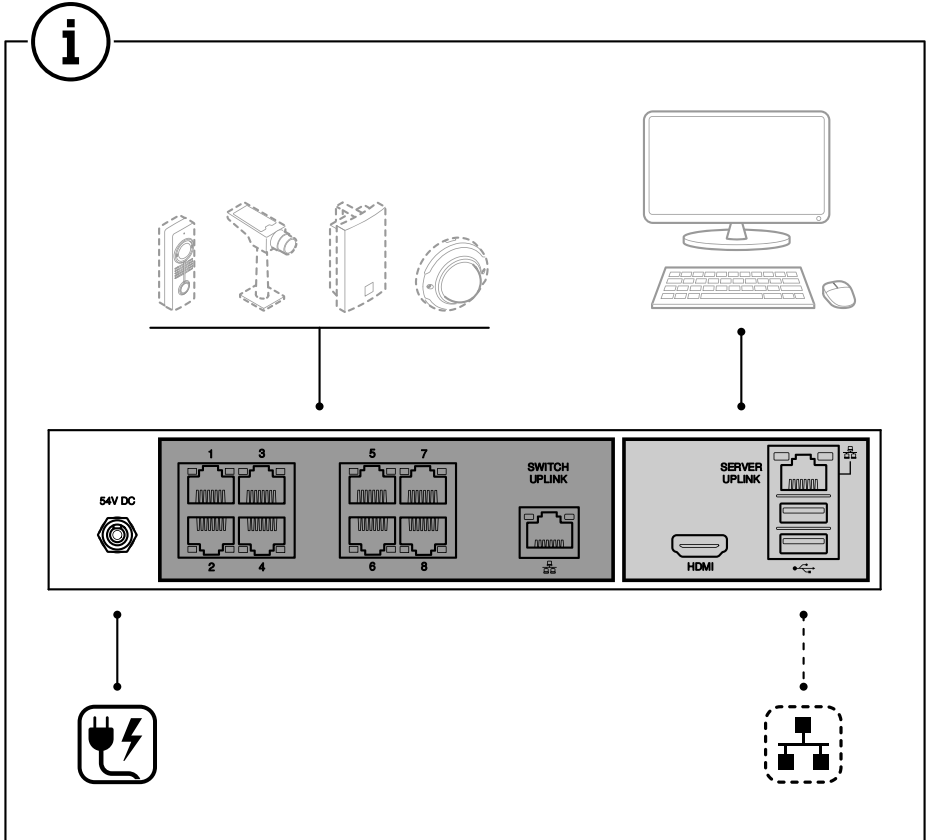
AXIS Camera Station S2108 Appliance



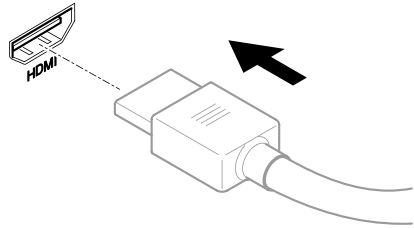
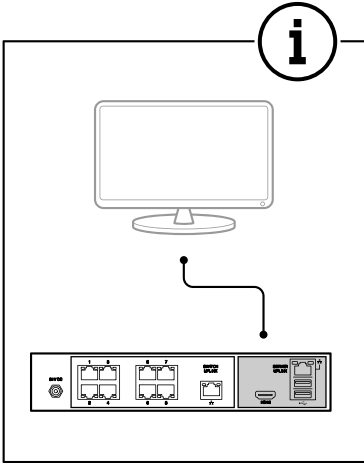
AXIS Camera Station S2108 Appliance



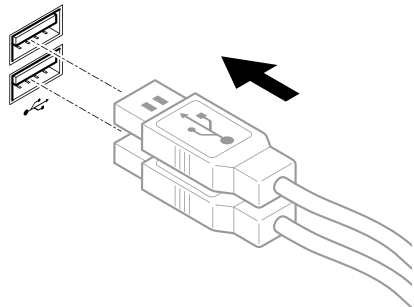
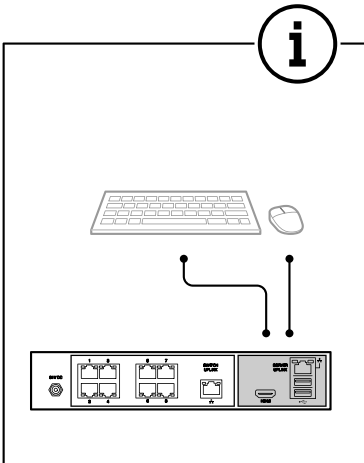
AXIS Camera Station S2108 Appliance



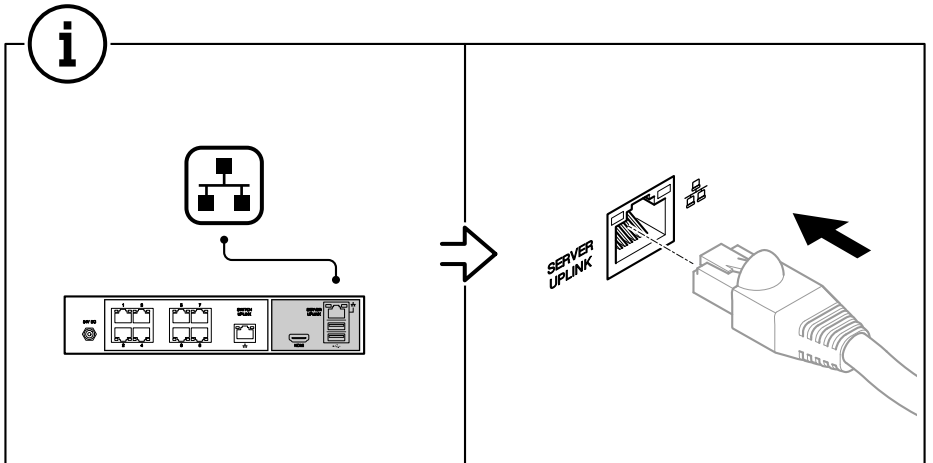
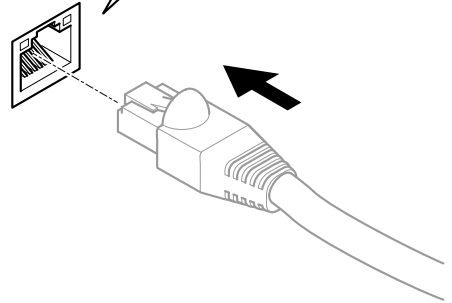
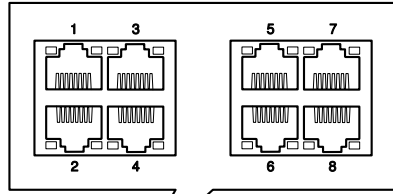
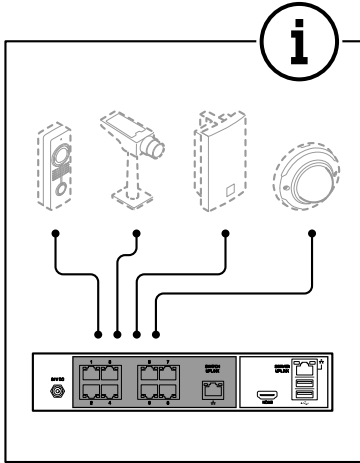
1.1



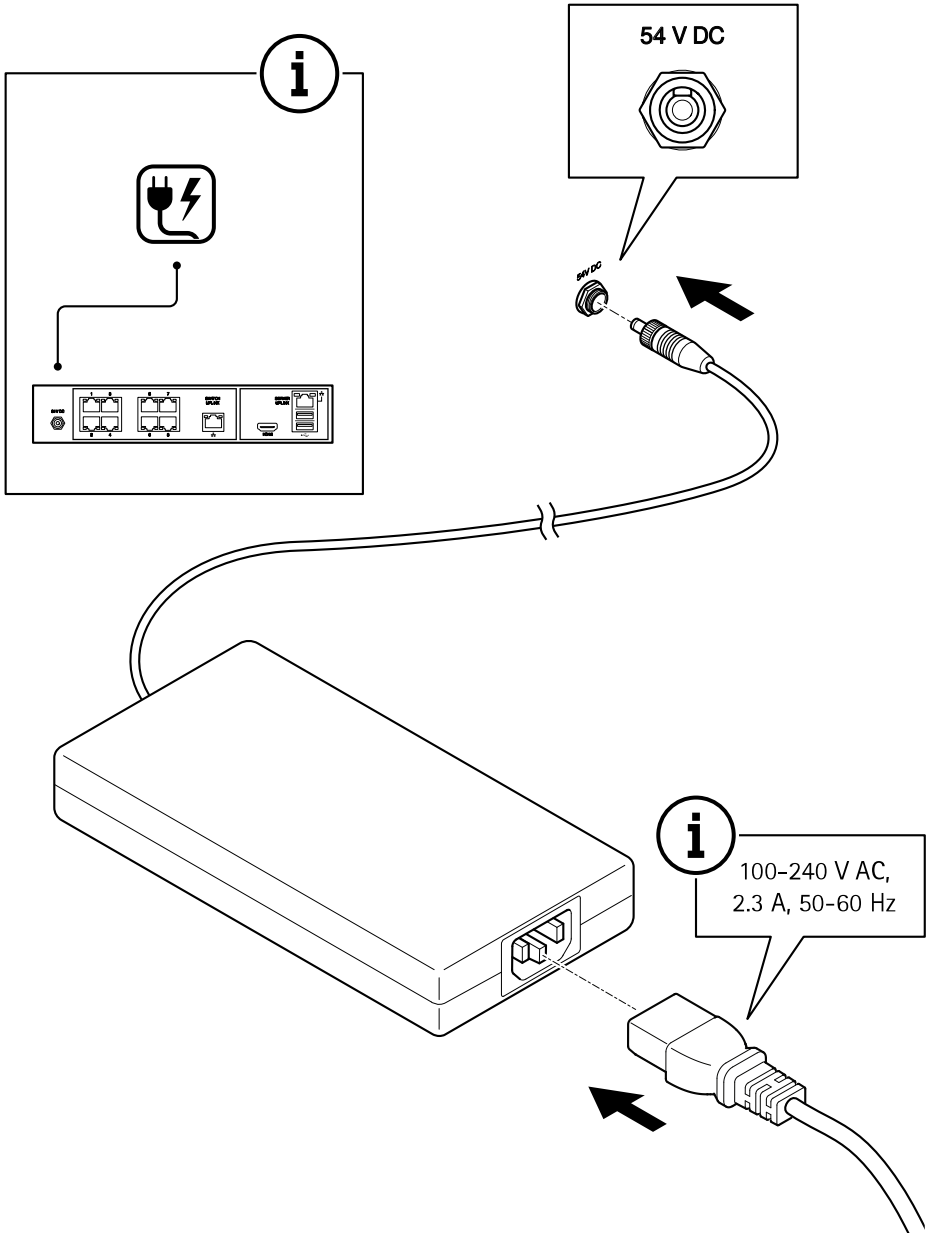
1.2



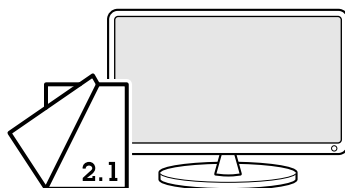
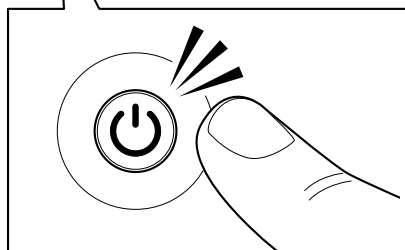
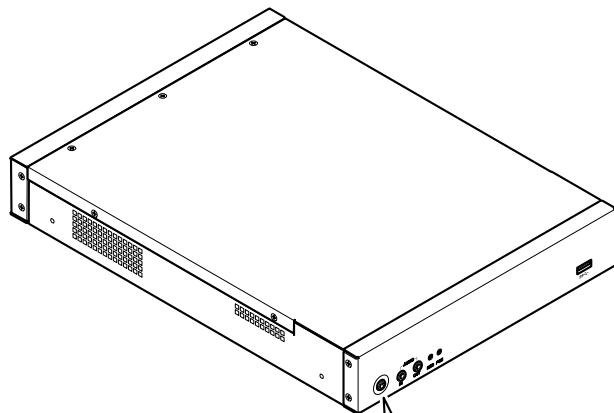
1.3



1.4



1.5



2.1

- EN** Initial Windows® setup: language, region, keyboard layout, user and password.
- FR** Configuration initiale de Windows® : langue, région, disposition du clavier, utilisateur et mot de passe.
- DE** Erstes Windows®-Setup: Sprache, Region, Tastaturgestaltung, Benutzer und Kennwort.
- IT** Configurazione iniziale di Windows®: lingua, regione, layout di tastiera, utente e password.
- ES** Configuración inicial de Windows®: idioma, región, distribución del teclado, usuario y contraseña.
- JA** Windows®の初期設定: 言語、地域、キーボードレイアウト、ユーザー、パスワード。
- PT** Configuração inicial do Windows®: idioma, região, layout do teclado, usuário e senha.
- RU** Первоначальная настройка Windows®: язык, регион, раскладка клавиатуры, имя и пароль пользователя.
- ZH** 初始 Windows®安装: 语言、区域、键盘布局、用户和密码。
- KO** 초기 Windows® 설정: 언어, 지역, 키보드 레이아웃, 사용자 및 암호.
- ZH_TW** Windows® 初始設定: 語言、地區、鍵盤配置、使用者和密碼。

2.2

- EN** Initial Axis recorder setup: computer name, date and time and network.
- FR** Configuration initiale de l'enregistreur Axis : nom, date, heure et réseau de l'ordinateur.
- DE** Erstes Setup des Axis Recorders: Computername, Datum und Uhrzeit sowie Netzwerk.
- IT** Configurazione iniziale del registratore Axis: nome del computer, data e ora e rete.
- ES** Configuración inicial del grabador de Axis: nombre del ordenador, fecha, hora y red.
- JA** Axisレコーダーの初期設定: コンピューター名、日付と時刻、ネットワーク。
- PT** Configuração inicial do gravador Axis: nome, data e hora e rede do computador.
- RU** Первоначальная настройка устройства видеозаписи Axis: имя компьютера, дата и время и сеть.
- ZH** 初始 Axis 录像机设置: 电脑名称、日期、时间及网络。
- KO** 초기 Axis 레코더 설정: 컴퓨터 이름, 날짜/시간 및 네트워크.
- ZH_TW** Axis 錄影機初始設定: 電腦名稱、日期和時間以及網路。

2.3

- EN** Update Windows to the latest version and create additional user accounts.
- FR** Mettez à jour Windows vers la dernière version et créez des comptes utilisateur supplémentaires.
- DE** Aktualisieren Sie Windows auf die neueste Version und erstellen Sie weitere Benutzerkonten.
- IT** Aggiornare Windows alla versione più recente e creare account utente aggiuntivi.
- ES** Actualice Windows a la versión más reciente y cree cuentas de usuario adicionales.
- JA** 追加のユーザーアカウントを作成する前に、Windowsを最新バージョンに更新してください。
- PT** Atualize o Windows para a versão mais recente e crie contas de usuário adicionais.
- RU** Обновите Windows до последней версии и создайте дополнительные учетные записи пользователей.
- ZH** 将 Windows 更新至新版本并创建其他用户帐户。
- KO** Windows를 최신 버전으로 업데이트하고 추가 사용자 계정을 생성합니다.
- ZH_TW** 將 Windows 更新至最新版本並建立額外的使用者帳戶。

2.4

- EN** Update AXIS Camera Station to the latest version before using it.
- FR** Mettez à jour AXIS Camera Station vers la dernière version avant de l'utiliser.
- DE** Aktualisieren Sie AXIS Camera Station vor der Verwendung auf die aktuelle Version.
- IT** Aggiornare AXIS Camera Station alla versione più recente prima dell'uso.
- ES** Actualice AXIS Camera Station a la versión más reciente antes de su uso.
- JA** AXIS Camera Stationを使用する前に、最新バージョンに更新してください。
- PT** Atualize o AXIS Camera Station para a versão mais recente do computador antes de usá-la.
- RU** Обновите AXIS Camera Station до последней версии, прежде чем использовать этот продукт.
- ZH** 使用之前，请将 AXIS Camera Station 更新为新版本。
- KO** 사용하기 전에 AXIS Camera Station을 최신 버전으로 업데이트합니다.
- ZH_TW** 在使用 AXIS Camera Station 之前先更新至最新版本。

AXIS Camera Station S2108 Appliance

EN User accounts

The following table lists the user accounts that can be used for installation, configuration and operation of your Axis system.

User account	Description	Note
MyAxis	Used to download the latest software, access the license system, Axis Secure Remote Access, and System Health Monitoring.	Registered from <i>my.axis.com</i> .
Windows®		
Windows administrator	Administrator privileges in Windows. We recommend you do not use it as AXIS Camera Station administrator.	Created during initial Windows setup.
Windows user with AXIS Camera Station administrator privileges	A Windows user granted with administrator privileges in AXIS Camera Station to be used by system integrator or system administrator for configuration or troubleshooting.	Created in Windows settings.
Windows user with AXIS Camera Station operator or viewer privileges	A Windows user granted with operator or viewer privileges in AXIS Camera Station.	Created in Windows settings.
Device		
Device administrator	Used by the administrator to access the camera from the video management system or device webpage.	Created from the device webpage or when you add the device to AXIS Camera Station.

AXIS Camera Station S2108 Appliance

FR Comptes utilisateurs

Le tableau suivant répertorie les comptes utilisateur qui peuvent être utilisés pour l'installation, la configuration et le fonctionnement de votre système Axis.

Compte utilisateur	Description	Remarque
MyAxis	Utilisé pour télécharger les derniers logiciels, accéder au système de licence, Axis Secure Remote Access et System Health Monitoring.	Enregistré à partir de <i>my.axis.com</i> .
Windows®		
Administrateur Windows	Privilèges administrateur sous Windows. Nous vous recommandons de ne pas l'utiliser en tant qu'administrateur d'AXIS Camera Station.	Créé pendant la configuration initiale de Windows.
Utilisateur Windows avec AXIS Camera Station privilèges d'administrateur	Utilisateur Windows doté des privilèges d'administrateur AXIS Camera Station qui doit être utilisé par l'intégrateur système ou l'administrateur système pour la configuration ou le dépannage.	Créé dans les paramètres Windows.
Utilisateur Windows avec AXIS Camera Station privilège d'opérateur ou d'afficheur	Utilisateur Windows doté des privilèges d'utilisateur ou d'opérateur dans AXIS Camera Station.	Créé dans les paramètres Windows.
Appareil		
Administrateur du périphérique	Utilisé par l'administrateur pour accéder à la caméra depuis le système de gestion vidéo ou la page Web du périphérique.	Créé à partir de la page Web du périphérique ou lorsque vous ajoutez le périphérique à AXIS Camera Station.

AXIS Camera Station S2108 Appliance

DE Benutzerkonten

In der folgenden Tabelle sind die Benutzerkonten aufgeführt, die für die Installation, Konfiguration und den Betrieb Ihres Axis Systems verwendet werden können.

Benutzerkonto	Beschreibung	Hinweis
MyAxis	Wird verwendet, um die neueste Software herunterzuladen und auf das Lizenzsystem, Axis Secure Remote Access und System Health Monitoring zuzugreifen.	Registriert von <i>my.axis.com</i> .
Windows®		
Windows-Administrator	Administratorrechte unter Windows. Es wird empfohlen, die Anwendung nicht als Administrator von AXIS Camera Station zu verwenden.	Erstellt während des ersten Windows-Setups.
Windows-Benutzer mit AXIS Camera Station Administratorrechten	Ein Windows-Benutzer mit Administratorrechten in AXIS Camera Station, der von einem Systemintegrator oder Systemadministrator zur Konfiguration oder Fehlerbehebung verwendet werden kann.	In Windows-Einstellungen erstellt.
Windows-Benutzer mit AXIS Camera Station Bediener- oder Betrachter- rechten	Ein Windows-Benutzer mit Bediener- oder Betrachterrechten in AXIS Camera Station.	In Windows-Einstellungen erstellt.
Gerät		
Geräteadministrator	Wird vom Administrator für den Zugriff auf die Kamera über das Video Management System oder die Webseite des Geräts verwendet.	Erstellt von der Gerätewebseite oder beim Hinzufügen des Geräts zur AXIS Camera Station.

AXIS Camera Station S2108 Appliance

IT Account utente

Nella tabella seguente sono elencati gli account utente che possono essere utilizzati per l'installazione, la configurazione e l'utilizzo del sistema Axis.

Account utente	Descrizione	Nota
MyAxis	Utilizzato per scaricare il software più recente, accedere al sistema di licenza, ad Axis Secure Remote Access e al monitoraggio dell'integrità del sistema.	Registrato da <i>my.axis.com</i> .
Windows®		
Amministratore Windows	Privilegi di amministratore su Windows. Si consiglia di non utilizzarlo come amministratore di AXIS Camera Station.	Creato durante l'impostazione iniziale di Windows.
Utente Windows con privilegi di amministratore AXIS Camera Station	Un utente Windows con privilegi di amministratore in AXIS Camera Station per l'utilizzo da parte di un integratore di sistema o da un amministratore di sistema per la configurazione o la risoluzione dei problemi.	Creato nelle impostazioni di Windows.
Utente Windows con privilegi operatore o visualizzatore AXIS Camera Station	Un utente Windows con privilegi di operatore o visualizzatore in AXIS Camera Station.	Creato nelle impostazioni di Windows.
Dispositivo		
Amministratore dispositivo	Utilizzato dall'amministratore per accedere alla telecamera dal Video Management System o dalla pagina Web del dispositivo.	Creato dalla pagina Web del dispositivo o quando si aggiunge il dispositivo ad AXIS Camera Station.

AXIS Camera Station S2108 Appliance

ES Cuentas de usuario

En la siguiente tabla se muestran las cuentas de usuario que se pueden utilizar para la instalación, configuración y funcionamiento del sistema Axis.

Cuenta de usuario	Descripción	Nota
MyAxis	Se utiliza para descargar el software más reciente, acceder al sistema de licencias, Axis Secure Remote Access y System Health Monitoring.	Registrado desde <i>my.axis.com</i> .
Windows®		
Administrador de Windows	Privilegios de administrador en Windows. Le recomendamos que no lo utilice como administrador de AXIS Camera Station.	Se ha creado durante la configuración inicial de Windows.
Usuario de Windows con AXIS Camera Station privilegios de administrador	De la configuración o solución de problemas se debe encargar un usuario de Windows con privilegios de administrador concedidos en AXIS Camera Station por un integrador o administrador del sistema.	Se ha creado en la configuración de Windows.
Usuario de Windows con AXIS Camera Station operador u observador privilegios	Un usuario de Windows con privilegios de operador u observador en AXIS Camera Station.	Se ha creado en la configuración de Windows.
Dispositivo		
Administrador de dispositivos	Utilizado por el administrador para acceder a la cámara desde el sistema de gestión de vídeo o la página web del dispositivo.	Se crea a partir de la página web del dispositivo o al agregar el dispositivo a AXIS Camera Station.

JA ユーザーアカウント

次の表に、Axisシステムのインストール、設定、操作に使用できるユーザーアカウントを示します。

ユーザーアカウント	説明	注
MyAxis	最新のソフトウェアのダウンロード、ライセンスシステムへのアクセス、Axisセキュアリモートアクセス、システムの健全性監視に使用。	<i>my.axis.com</i> から登録。
Windows®		
Windows管理者	Windowsの管理者権限。AXIS Camera Stationの管理者として使用しないことをお勧めします。	Windowsの初期設定中に作成。
次の権限を持つWindowsユーザー AXIS Camera Station 管理者権限	AXIS Camera Stationの管理者権限が付与されたWindowsユーザー。システムインテグレーターまたはシステム管理者が設定またはトラブルシューティングに使用。	Windowsの設定で作成。
次の権限を持つWindowsユーザー AXIS Camera Station オペレーターまたは 閲覧者 権限	AXIS Camera Stationのオペレーターまたは閲覧者権限が付与されたWindowsユーザー。	Windowsの設定で作成。
デバイス		
デバイス管理者	管理者がビデオ管理システムから、またはデバイスのWebページからカメラにアクセスするために使用。	デバイスのWebページから、またはデバイスをAXIS Camera Stationに追加したときに作成。

AXIS Camera Station S2108 Appliance

PT Contas de usuário

A tabela a seguir lista as contas de usuário que podem ser usadas para instalação, configuração e operação do seu sistema Axis.

Conta de usuário	Descrição	Observação
MyAxis	Used to download the latest software, access the license system, Axis Secure Remote Access, and System Health Monitoring.	Registered from <i>my.axis.com</i> .
Windows®		
Administrador do Windows	Privilégios de administrador no Windows. Recomenda-se não usá-la como administrador do AXIS Camera Station.	Criada durante a configuração inicial do Windows.
Usuário do Windows com privilégios de administrador no AXIS Camera Station	Um usuário do Windows que recebeu privilégios de administrador no AXIS Camera Station e pode ser usado pelo integrador de sistemas ou pelo administrador do sistema para configuração ou solução de problemas.	Criada nas configurações do Windows.
Usuário do Windows com privilégios de operador ou visualizador do AXIS Camera Station	Um usuário do Windows que recebeu privilégios de operador ou visualizador no AXIS Camera Station.	Criada nas configurações do Windows.
Dispositivo		
Administrador de dispositivos	Usada pelo administrador para acessar a câmera via sistema de gerenciamento de vídeo ou página da Web do dispositivo.	Criada via página da Web do dispositivo ou ao adicionar o dispositivo ao AXIS Camera Station.

AXIS Camera Station S2108 Appliance

RU Учетные записи пользователей

В следующей таблице представлены учетные записи пользователей, которые можно использовать для установки, настройки и работы системы Axis.

Учетная запись пользователя	Описание	Примечание
MyAxis	Используется для загрузки новейшего программного обеспечения, доступа к лицензионной системе, AXIS Secure Remote Access и System Health Monitoring.	Зарегистрировано с веб-сайта <i>my.axis.com</i> .
Windows®		
Администратор Windows	Права администратора в Windows. Не рекомендуется использовать его в качестве администратора AXIS Camera Station.	Создано во время первоначальной настройки Windows.
Пользователь Windows с правами администратора AXIS Camera Station	Пользователь Windows, которому предоставлены права администратора в AXIS Camera Station, будет использоваться системным интегратором или системным администратором для настройки или устранения неисправностей.	Создано в настройках Windows.
Пользователь Windows с правами администратора AXIS Camera Station	Пользователь Windows, которому предоставлены права оператора или наблюдателя в AXIS Camera Station.	Создано в настройках Windows.
Устройство		
Администратор устройства	Используется администратором для доступа к камере из системы управления видео или с веб-страницы устройства.	Создано на веб-странице устройства или при добавлении устройства в AXIS Camera Station.

AXIS Camera Station S2108 Appliance

ZH 用户账户

下表列出了可用于您的 Axis 系统的安装、配置和操作的帐户。

用户账户	说明	备注
MyAxis	用于下载新软件、访问许可证系统、Axis Secure Remote Access 和 System Health Monitoring。	从 <i>my.axis.com</i> 注册。
Windows®		
Windows 管理员	Windows 中的管理员权限。我们建议您不要将其用作 AXIS Camera Station 管理员。	在初始 Windows 安装过程中创建。
Windows 用户带有 AXIS Camera Station 管理员权限	在 AXIS Camera Station 中授予管理员权限的 Windows 用户，由系统集成商或系统管理员用于配置或故障排除。	在 Windows 设置中创建。
Windows 用户带有 AXIS Camera Station 操作员或查看者权限	在 AXIS Camera Station 中授予操作员或查看者权限的 Windows 用户。	在 Windows 设置中创建。
设备		
设备管理员	由管理员用于从视频管理系统或设备网页访问摄像机。	通过设备网页创建或将设备添加到 AXIS Camera Station 时创建。

KO 사용자 계정

다음 표에는 Axis 시스템의 설치, 구성 및 작동에 사용할 수 있는 사용자 계정이 나열되어 있습니다.

사용자 계정	설명	참고
MyAxis	최신 소프트웨어 다운로드, 라이선스 시스템 액세스, Axis Secure Remote Access 및 System Health Monitoring에 사용됩니다.	my.axis.com 에서 등록했습니다.
Windows®		
Windows 관리자	Windows의 관리자 권한입니다. AXIS Camera Station 관리자로 사용하지 않는 것이 좋습니다.	초기 Windows 설정 중에 생성되었습니다.
Windows 사용자: AXIS Camera Station 관리자 권한이 있음	시스템 통합자 또는 시스템 관리자가 구성 또는 문제 해결을 위해 사용할 수 있도록 AXIS Camera Station에서 관리자 권한이 부여된 Windows 사용자입니다.	Windows 설정에서 생성되었습니다.
Windows 사용자: AXIS Camera Station 운영자 또는 뷰어 권한이 있음	AXIS Camera Station에서 운영자 또는 뷰어 권한이 부여된 Windows 사용자입니다.	Windows 설정에서 생성되었습니다.
장치		
장치 관리자	관리자가 영상 관리 시스템 또는 장치 웹 페이지에서 카메라에 액세스하는 데 사용합니다.	장치 웹 페이지에서 생성되었거나 AXIS Camera Station에 장치를 추가할 때 생성되었습니다.

Installation guide

AXIS Camera Station S2108 Appliance

© 2022 - 2024 Axis Communications AB

Ver. M3.3

Date: January 2024

Part no. 2512484