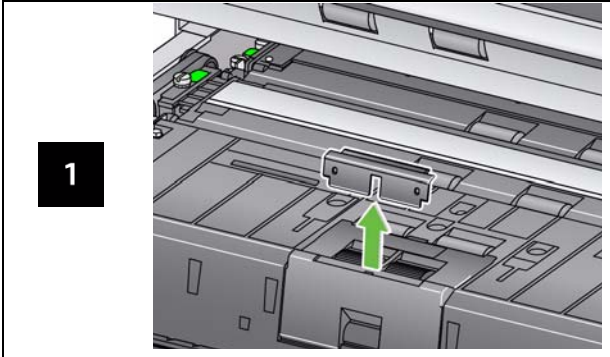
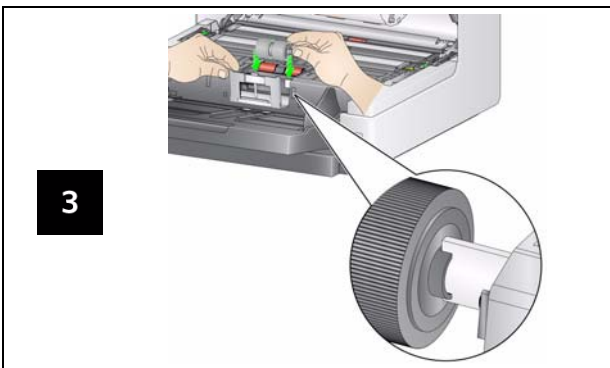
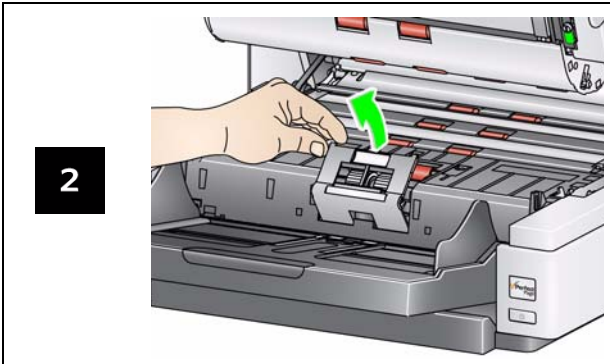


## Replace pre-separation pad Replace separation roller

### Pre-separation Pad



### Separation Roller



See the User's Guide for feed module replacement procedures.

## Supplies and Accessories

| CAT No.  | Description                                |
|----------|--|
| 832 7538 | Feeder Consumables Kit                     |
| 838 7938 | Extra-Large Feeder Consumables Kit         |
| 146 2415 | Extra-Extra-Large Feeder Consumables Kit   |
| 834 8054 | Image Guide Set (without Printer)          |
| 871 4438 | Image Guide Set (with Printer)             |
| 166 7641 | Flippable Background (without Printer)     |
| 161 2605 | Flippable Background (with Printer)        |
| 896 5519 | Staticide Wipes for <i>Kodak</i> Scanners* |
| 826 6488 | Brilliance Detailer Wipes                  |
| 169 0783 | Transport Cleaning Sheets                  |
| 853 5981 | Roller Cleaning Pads                       |
| 840 5425 | Printer Ink Blotters                       |
| 818 3386 | Enhanced Printer Black Cartridge           |
| 159 6832 | Enhanced Printer Red Cartridge             |
| CAT No.  | Accessories                                |
| 844 5280 | Feeder Kit for Ultralightweight Paper      |
| 121 8940 | Enhanced Printer Accessory                 |
| 189 4351 | <i>Kodak</i> A3 Flatbed Accessory          |
| 119 9470 | <i>Kodak</i> Legal Size Flatbed Accessory  |
| 183 3946 | 66.04 cm (26 in.) document extender        |
| 162 6803 | 76.2 cm (30 in.) document extender         |
| 148 8476 | 86.36 cm (34 in.) document extender        |

\* Staticide Wipes are not available in all countries. Brilliance Detailer Wipes should be used if Staticide Wipes are not available.

#### IMPORTANT:

- ❑ The Roller Cleaning Pad contains sodium lauryl ether sulfate which can cause eye irritation. Refer to the MSDS for more information.
- ❑ Staticide Wipes contain isopropanol which can cause eye irritation and dry skin. Wash your hands with soap and water after performing maintenance procedures. Refer to the Material Safety Data Sheet (MSDS) for more information ([www.kodakalaris.com/go/MSDS](http://www.kodakalaris.com/go/MSDS)).

Kodak Alaris Inc.  
2400 Mount Read Blvd.  
Rochester, NY 14615  
A-61840 / Part #5K4285 April, 2015  
© 2015 Kodak Alaris Inc. All rights reserved

The Kodak trademark and trade dress are used under license from Eastman Kodak Company



i4250, i4650 and i4850 Scanners



Reference Guide

## Service & Support

[www.kodakalaris.com/go/dicontacts](http://www.kodakalaris.com/go/dicontacts)

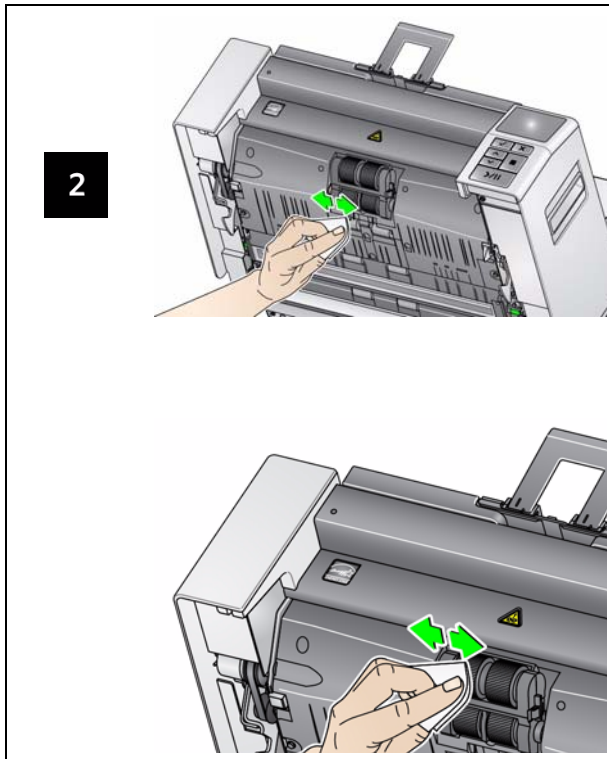
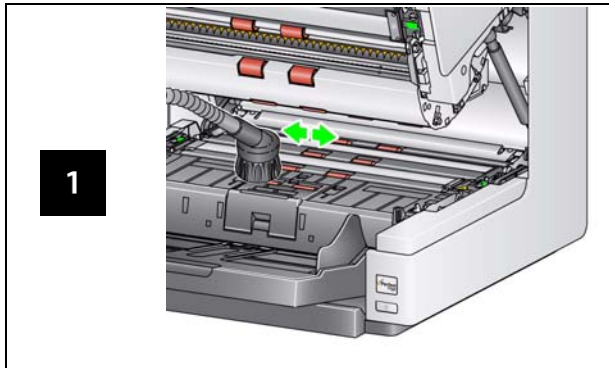
When contacting support, have the following available:

- A description of your problem
- Scanner model and serial number
- Computer configuration
- Software application you are using

## Cleaning Frequency Chart

|   | Procedure   | Start of day | Middle of Shift | Start of new shift |
|---|---|--------------|-----------------|--------------------|
| 1 | Vacuum output tray and input areas (input elevator and transport) | x            |                 |                    |
| 2 | Clean all rollers; including feed module                          | x            |                 | x                  |
| 3 | Run transport cleaning sheet                                      | x            |                 | x                  |
| 4 | Clean imaging guides: basic                                       | x            | x               | x                  |
|   | Clean imaging guides: thorough (see <i>User's Guide</i> )         | x            |                 | x                  |

## Cleaning the transport and rollers



## Running a cleaning sheet and cleaning the imaging guides

