

# QUICK START GUIDE

---

LPH008A-R2

# GB POE+ SWITCH

---

24/7 TECHNICAL SUPPORT AT 877.877.2269 OR VISIT [BLACKBOX.COM](http://BLACKBOX.COM)



# STEP 1 - Set the DIP switches

---

## DIP SWITCHES

Locate the DIP switches on the top of the Giganit PoE+ Switch and set them according to Table 1 below.

## OPTIONAL: DOWNLOAD USER MANUAL

For product specifications and regulatory information, refer to the User Manual. You can download this document from our web site.

1. Go to [www.blackbox.com](http://www.blackbox.com)
2. Enter the part number (LPH008A-R2) in the search box.
3. Click on the product in the "Product Results" page.
4. Click on the "Support" tab on the product page, and select the document you wish to download.

If you have any trouble accessing the Black Box site to download the manual, you can contact our Technical Support at 877-877-2269 or [info@blackbox.com](mailto:info@blackbox.com)

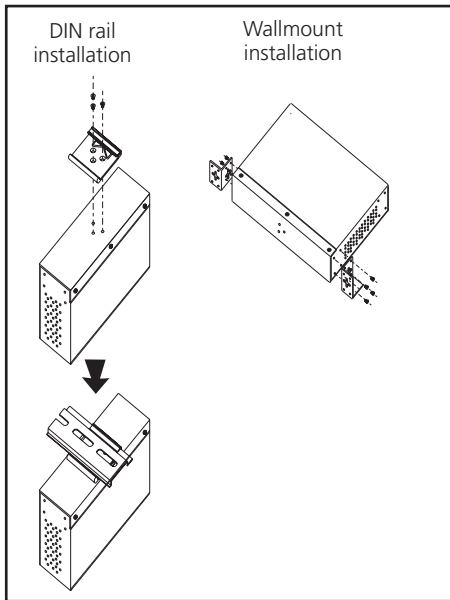
TABLE 1. DIP SWITCH SETTINGS

DIP SWITCH NUMBER	DESCRIPTION	POSITION
1	Power 2 failed warning	ON: Enabled OFF: Disabled
2	Power 1 failed warning	ON: Enabled OFF: Disabled

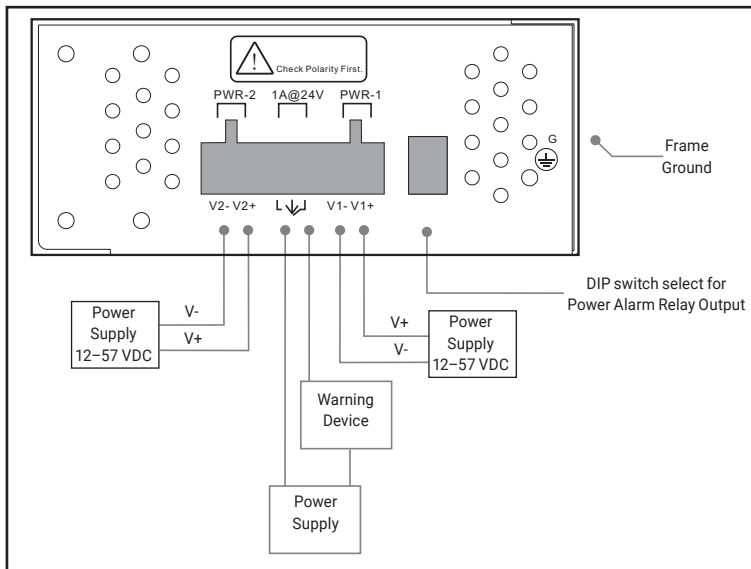


## STEP 2 - Install the switch on a DIN rail or wall

---



## STEP 3 - Connect the power



## STEP 4 - Connect the network devices

### CONNECT THE NETWORK DEVICES

1. Connect your devices using standard UTP/STP cable with RJ-45 connectors to the switch.
2. The corresponding RJ-45 LED will light if the Ethernet connection is linked successfully.
3. The Link/Act LED will blink while the switch transfers data.

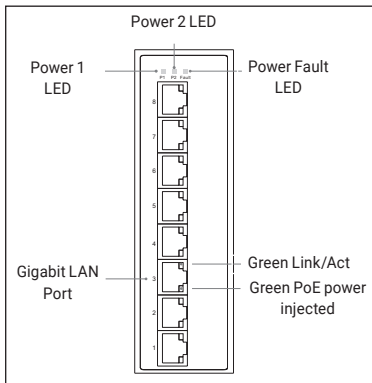


TABLE 2. LEDS AND CONNECTORS ON THE SWITCH

LED OR CONNECTOR	DESCRIPTION
(2) Power LEDs (green)	Lights when PWR1 or PWR2 to the switch is on
(1) Power Fault LED (amber)	Indicates PWR1 or PWR2 failure
(8) Link/Act. LEDs (green/amber)	Green for 1000 Mbps; Amber for 10/100 Mbps
(8) Power Injected LEDs (green)	Lights when PoE power is injected
(8) Gigabit LAN Ports (RJ-45)	Link to 10-/100-/1000-Mbps Ethernet devices



**NEED HELP?  
LEAVE THE TECH TO US**

---

**LIVE 24/7  
TECHNICAL  
SUPPORT**

---

**1.877.877.2269**