

# eufyCam S4 (T8172) - User Guide

## What's in the Box

### At a Glance

eufyCam S4 (T8172)

HomeBase S380 (T8030)

## Getting Started with the App

### Preparing

Expand HomeBase Storage (Optional)

Fully Charge the Camera before Mounting

To Install/Uninstall the Battery

### Mounting Guide

1. Choose a Location
2. Mount the Solar Panel
3. Mount the Camera
4. Adjust the Camera Field of View

### Find Out More

Congratulations!

[Fusion Link](#)

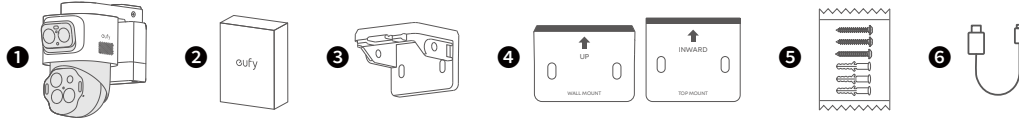
[Set Up the Wired Mode](#)

[Other Information](#)

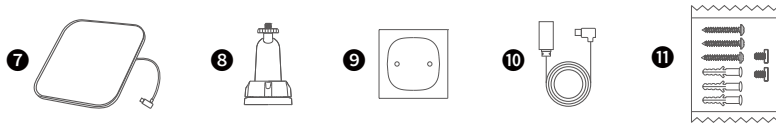
# What's in the Box

Make sure everything is included.  
Anything missing?  
Please contact [support@eufy.com](mailto:support@eufy.com).

## For Camera Installation



## For Solar Panel Installation



## Other



## For HomeBase Setup

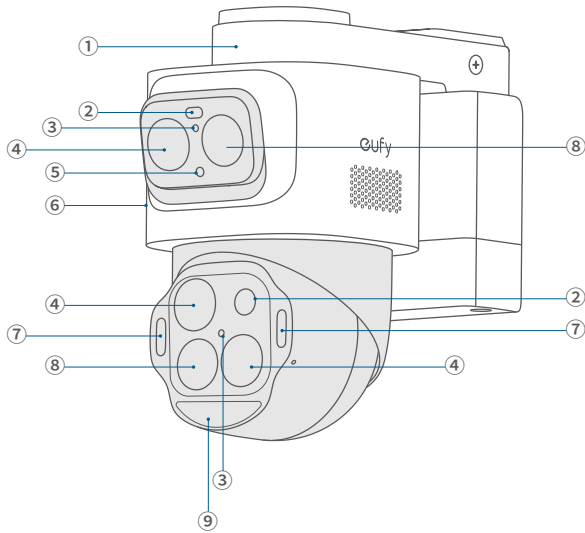


#	Item	Add-On	2-Cam Kit	4-Cam Kit
1	Camera			
2	Rechargeable Battery*			
3	Camera Mounting Bracket			
4	Positioning Sticker (Camera Mount)	1	2	4
5	Screw Pack (Camera)			
6	USB Charging Cable			
7	Solar Panel			
8	Solar Panel Mounting Bracket			
9	Positioning Sticker (Solar Panel Mounting Bracket)	1	2	4
10	Solar Panel Extension Cable			
11	Screw Pack (Solar Panel)			
13	HomeBase S380			
14	Ethernet Cable			
15	Power Adapter	N/A		1
16	Reset Pin & Hard Drive Screw Pack			
12	Quick Start Guide		1	

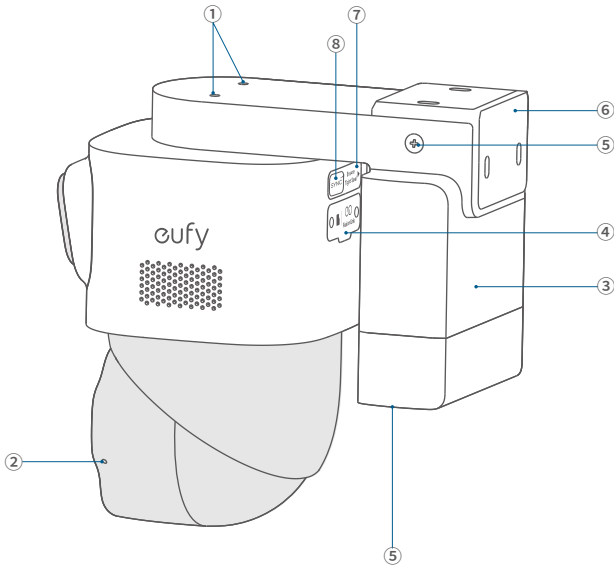
\* The rechargeable battery may be pre-installed in the camera or included separately in the package.

# At a Glance

## eufyCam S4 (T8172)

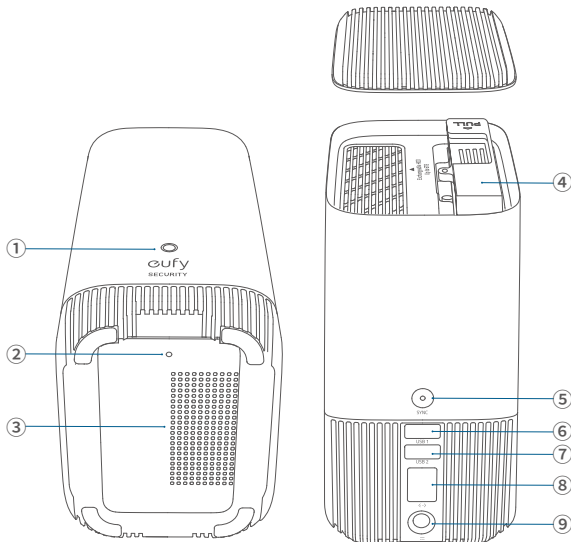


- ❶ Mounting Base
- ❷ Spotlight
- ❸ Photosensitive Sensor
- ❹ Camera Lens
- ❺ LED Indicator
- ❻ Speaker
- ❼ Warning Light
- ❽ PIR Sensor
- ❾ Radar Sensor



- ❶ Solar Panel Mounting Holes
- ❷ Microphone
- ❸ Battery Holder
- ❹ Fusion Link Port & SD Card Slot
- ❺ Spring Screw
- ❻ Mounting Bracket
- ❼ USB-C Charging Port
- ❽ SYNC Button

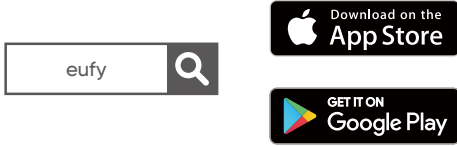
## HomeBase S380 (T8030)



- ❶ Status LED
- ❷ Reset Hole
- ❸ Speaker
- ❹ Hard Drive Bracket
- ❺ SYNC / ALARM OFF Button
- ❻ USB Port 1(Output Power: 5V/2.4A; for Charging eufyCam)
- ❼ USB Port 2 (for Data)
- ❽ Ethernet Port
- ❾ DC Power Port

# Getting Started with the App

1. Search for "eufy" to download the app.



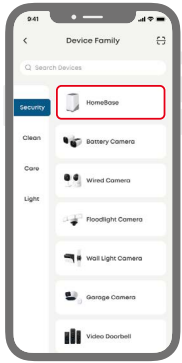
2. Log in or create a new account.

3. Follow in-app instructions to add the HomeBase.

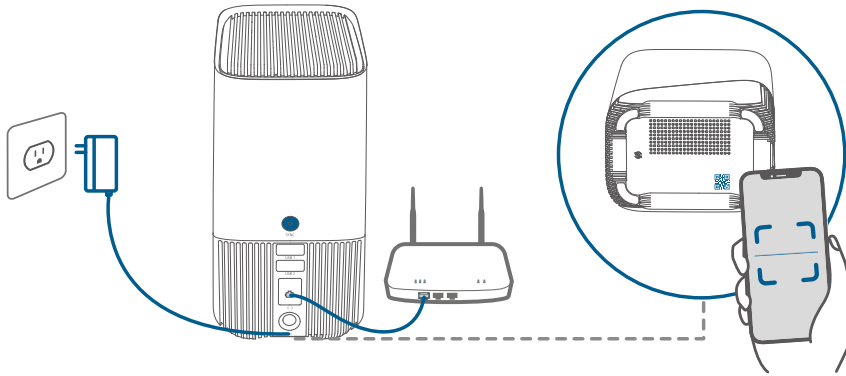
- Turn on the HomeBase and connect it to your router.
- Wait about 1 minute for the LED to turn blue.
- Use the included Ethernet cable to connect to your home Wi-Fi router.
- Use the included power adapter (12V/2A) to power on the HomeBase.



To improve the wireless range of HomeBase, place it on a table or shelf 3-5 feet (1-1.5 m) high and as far away from the wall as possible.



①



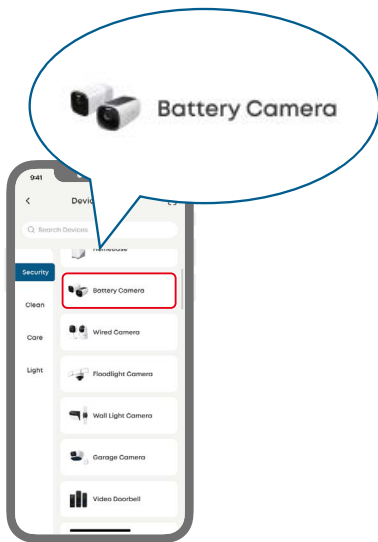
②

③

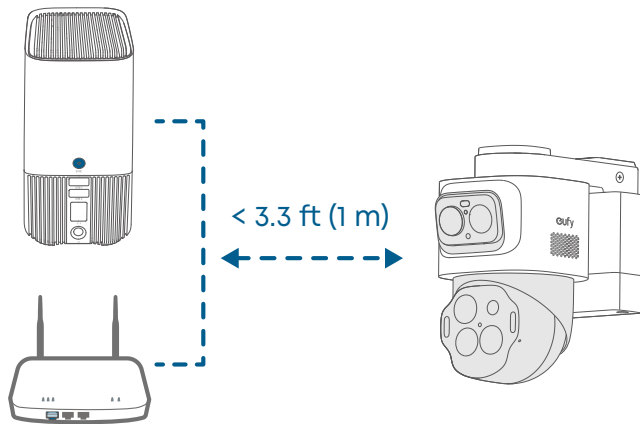
4. Follow in-app instructions to add eufyCam S4 and then sync them with the HomeBase.



- Up to 16 eufyCams can be synchronized with the HomeBase.
- Keep the maximum distance of 3.2 ft (1 meter) between HomeBase and eufyCam when synchronizing.
- Upgrade the firmware if a new version is detected and the popup prompts you to do so.



①

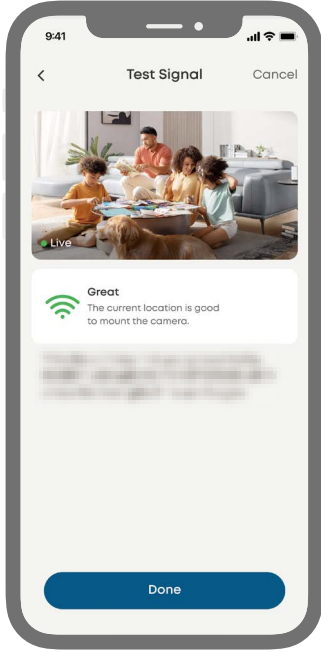


②

5. Complete other settings, or skip and setup later.

6. Check in the app before installation:

- Strong Wi-Fi signal
- Smooth live streaming



## Preparing

### Expand HomeBase Storage (Optional)

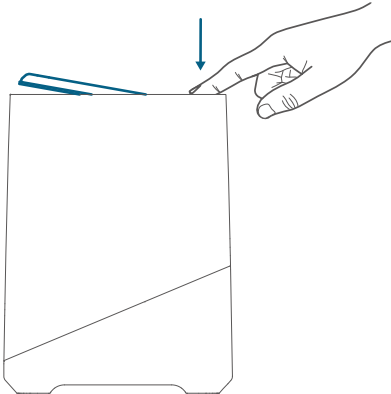
HomeBase S380 comes with 16 GB of storage for saving video recordings and allows you to add an additional hard drive to expand the space. Your hard drive must meet the following requirements:

Type	Hard disk drive (HDD) or solid state drive (SSD) that uses the SATA interface
Size	2.5 inch
Capacity	Unlimited
Recommended	Western Digital, Seagate, SAMSUNG, Kingston, PNY, Crucial, SanDisk

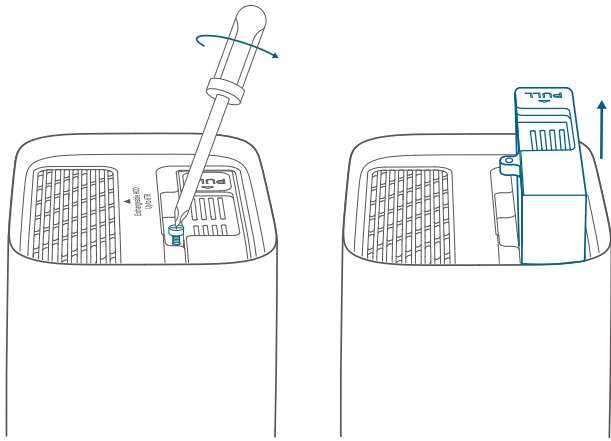


- The HomeBase must be powered off when you install or remove a hard drive.
- Transfer all the data in your hard drive to a secure location before adding it to the HomeBase.
- A new hard drive must be initialized through the eufy app to work with the HomeBase.

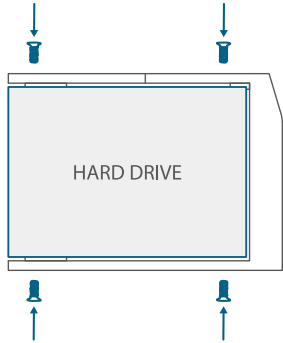
1. Push down the top lid to remove it.



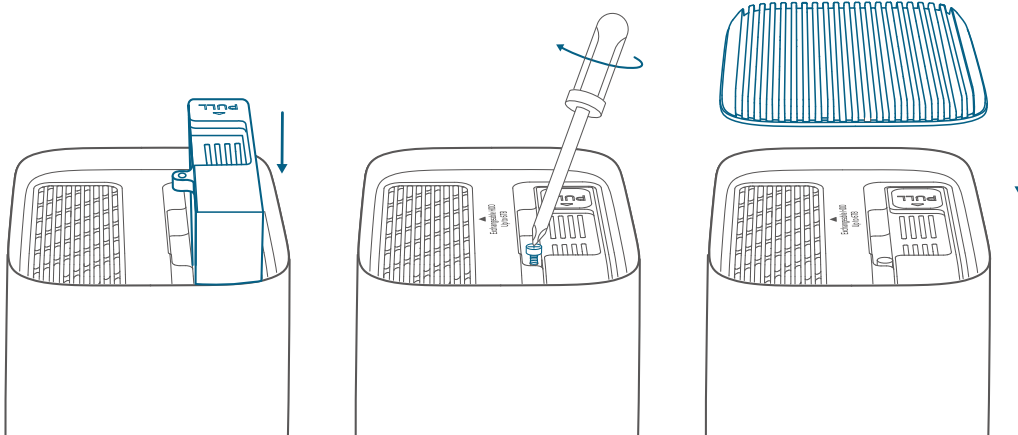
2. Loosen the screw, then take out the hard drive bracket.



3. Fix your hard drive to the bracket with the provided screws.

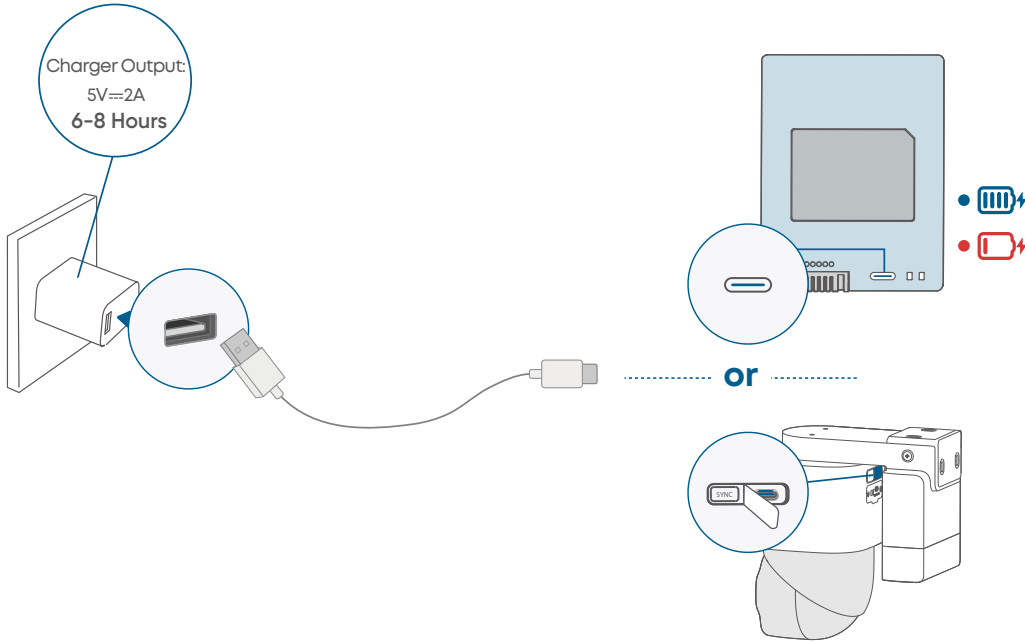


4. Insert and screw the bracket back to the HomeBase, then put the top lid back into place.



## Fully Charge the Camera before Mounting

Fully charge the camera (to 100% battery level) before installation.  
Charge the camera directly or take out the battery for charging.

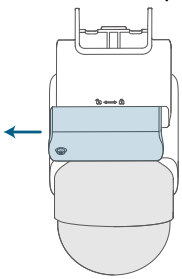


You can check the battery level in the app.

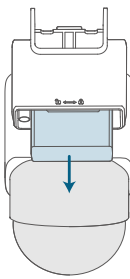
LED Indicator	Description
Red	Charging
Blue	Fully Charged

## To Install/Uninstall the Battery

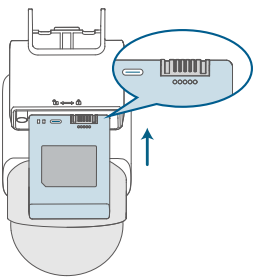
1. Push left to open
2. Remove the battery
3. Install the battery
4. Push right to close
5. Lock the spring screw



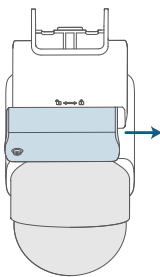
①



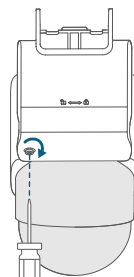
②



③



④



⑤

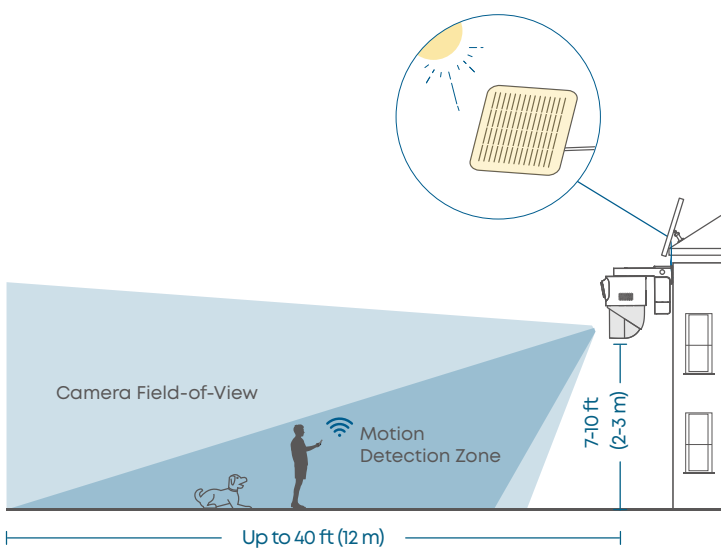
# Mounting Guide

## 1. Choose a Location

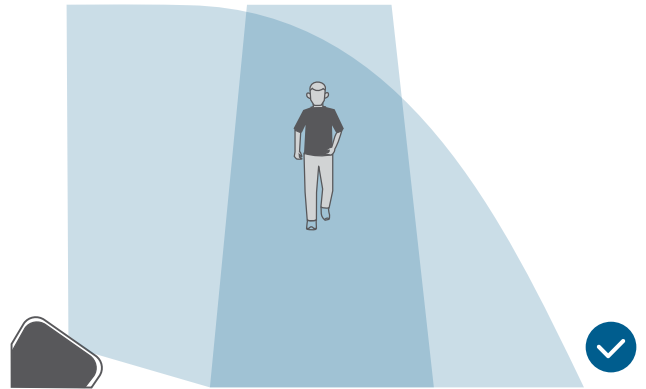
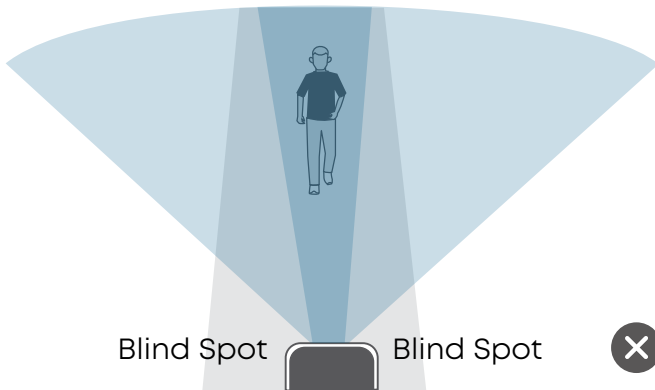
Choose a location where you can get the desired view.

Recommended location:

- Height of 2-3 m
- Where solar panels get enough sunlight
- Strong Wi-Fi signal

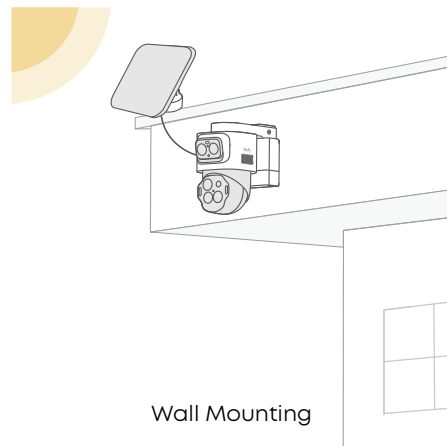
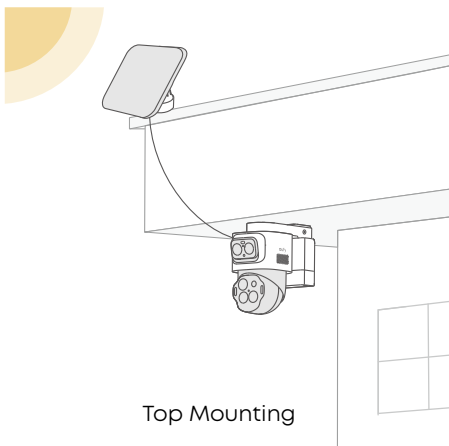


To avoid missed detections, install the cameras at an angle rather than directly facing the monitoring area.

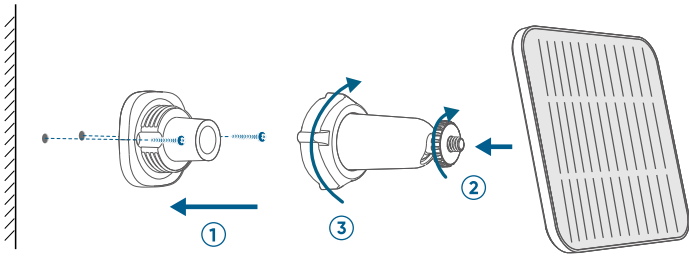
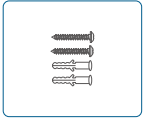


## 2. Mount the Solar Panel

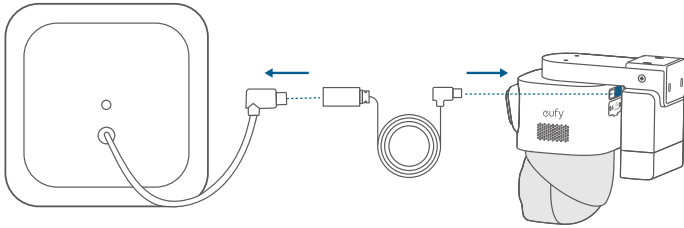
Option 1: Flexible Mounting (Best Sunlight)



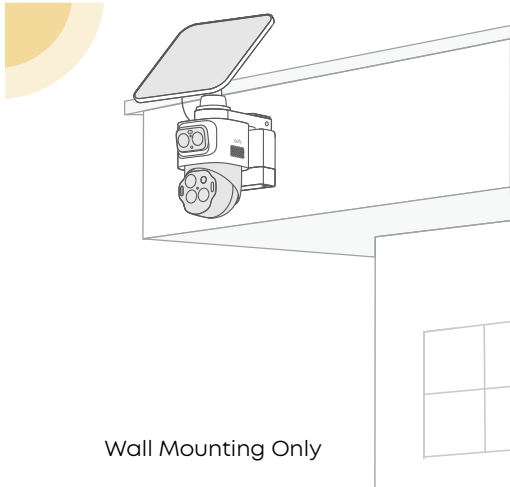
1. Install the base
2. Tighten the small knob
3. Tighten the large knob

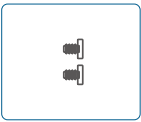


4. Connect the solar panel to the camera



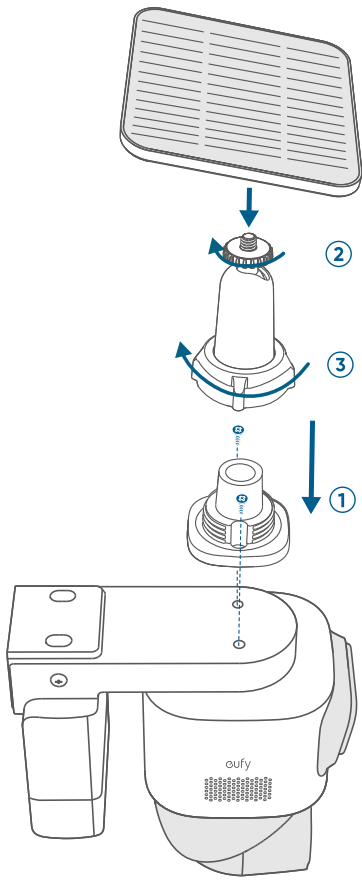
#### Option 2: Integrated Mounting (Less Drilling)



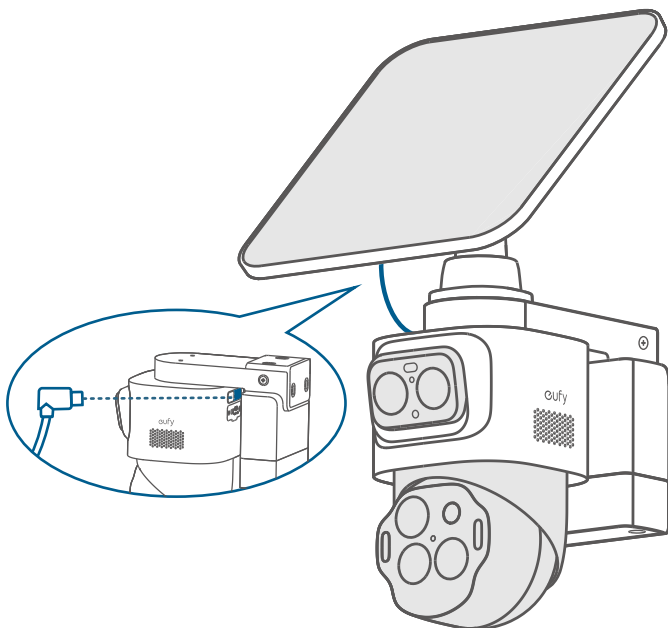


Please use the 8 mm screws to install the solar panel onto the camera.

1. Install the base
2. Tighten the small knob
3. Tighten the large knob



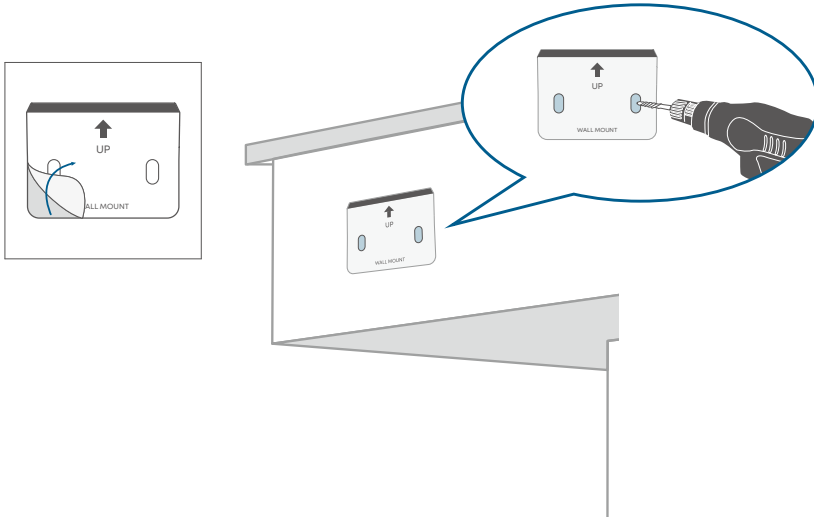
4. Connect the solar panel to the camera



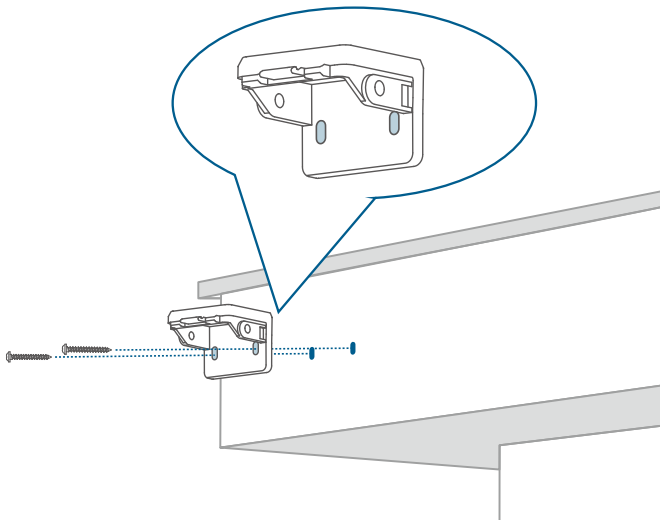
### 3. Mount the Camera

#### Wall Mounting

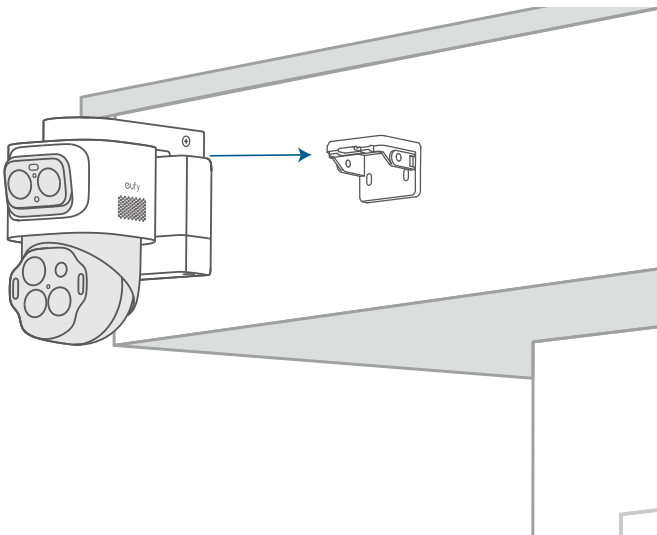
##### 1. Position & drill holes



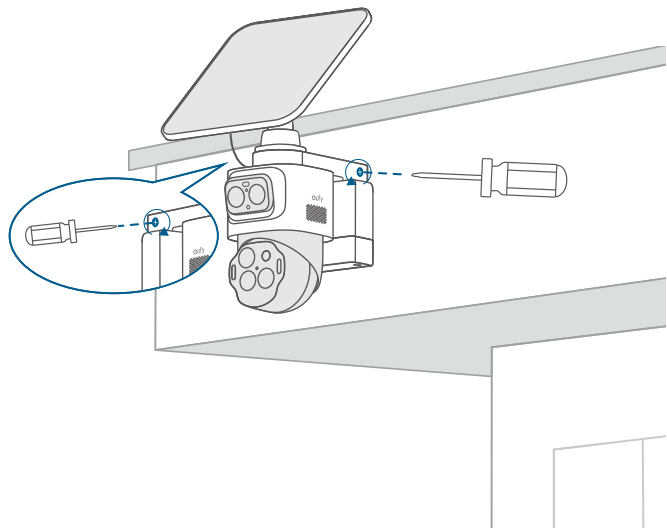
##### 2. Install the mounting bracket



##### 3. Insert the camera

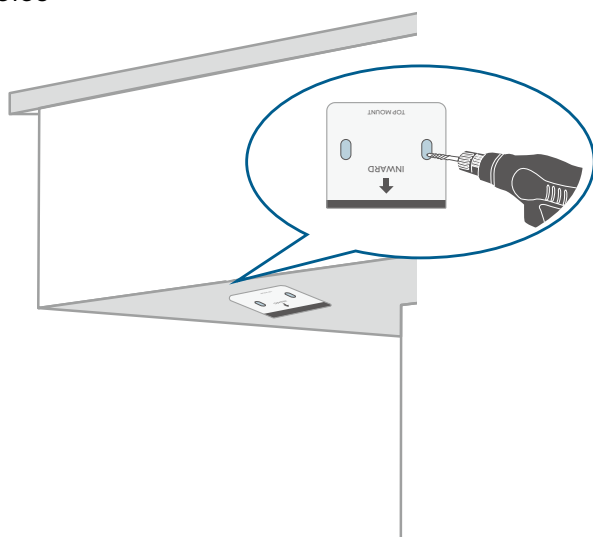
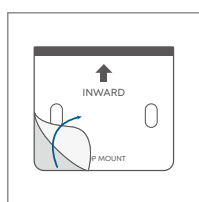


4. Lock the spring screws on both sides

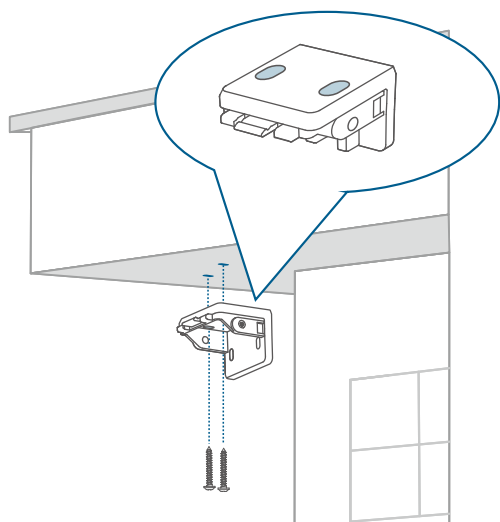


## Top Mounting

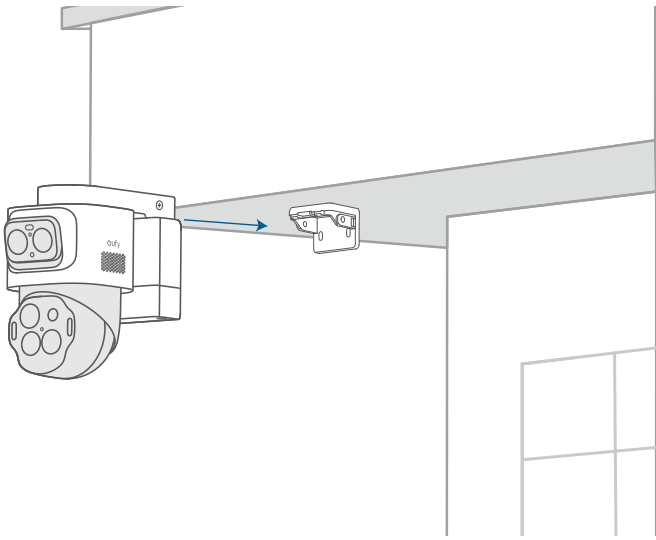
1. Position & drill holes



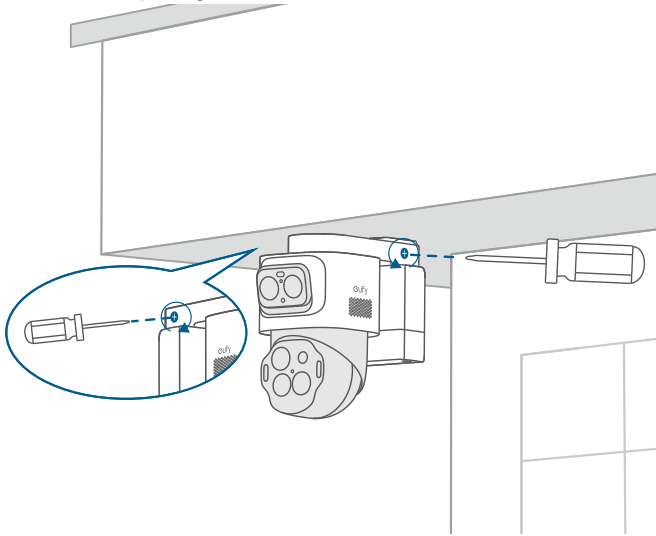
2. Install the mounting bracket



3. Insert the camera

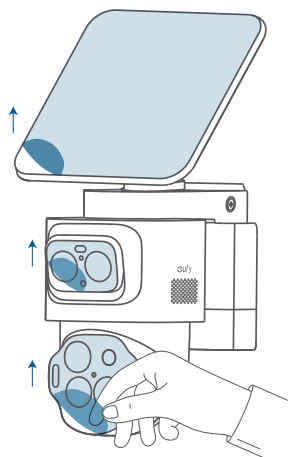


4. Lock the spring screws on both sides

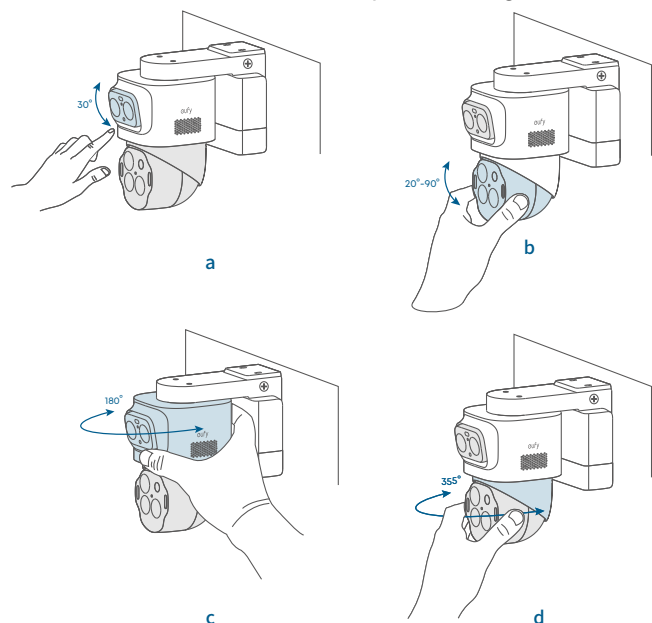


## 4. Adjust the Camera Field of View

1. Remove the protective film



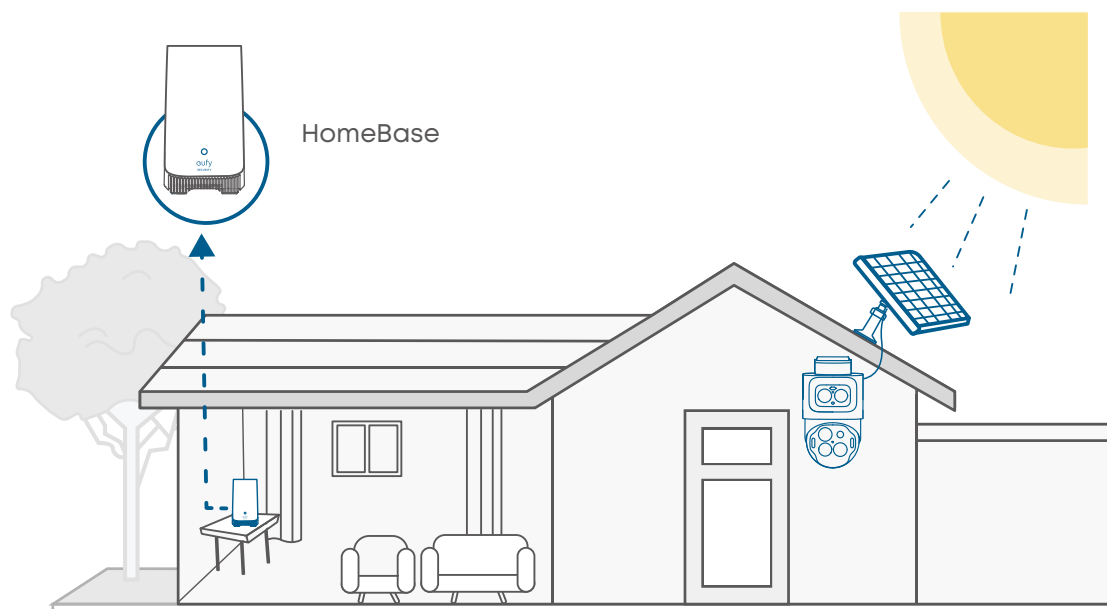
2. Rotate the camera to the optimal angle



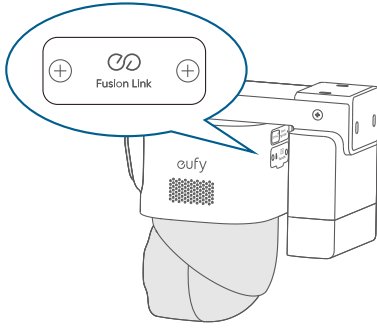
## Find Out More

Congratulations!

Now you're all set to use your eufyCam S4!  
Please explore more in the eufy app.



## Fusion Link



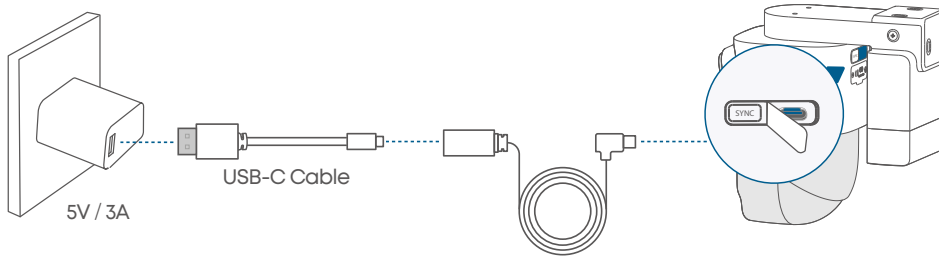
Fusion Link serves as an expansion port for future eufy accessories, including support for long-range image transmission. Learn more at [support.eufy.com](https://support.eufy.com).

## Set Up the Wired Mode

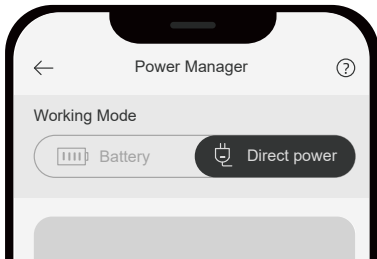


- A microSD card or hard drive is required for storage.
- This feature requires camera firmware version V1.0.5.4 or later; and when connected to HomeBase S380, HomeBase firmware version V3.7.2.8 or later.

1. Connect the camera to a 5V/3A adapter.



2. Switch to Wired Mode in the eufy app and enjoy 24/7 surveillance.



## Other Information

### Open Default Port 1: Wi-Fi (2.4 GHz)

Port Description:

1. When powered on for the first time or after a reset, if there is no configured Wi-Fi information, it may enter network pairing mode (such as AP/BLE pairing);
2. In normal working mode, it will automatically connect to the router and save the SSID and password;
3. If you need to switch Wi-Fi configuration, you can use the App or follow the instructions in the manual to reconfigure the network.
4. When the device is connected to the HomeBase, UDP monitors Port 10200 to receive audio and video data, enabling downlink intercom.
5. When the device is used in solo mode, TCP monitors Ports 5061 and 15061, and UDP monitors Port 10200, to receive the device discovering of the app, discover device on th local network, and establish WebRTC connection.
6. When the device is used in solo mode, UDP randomly monitors Ports 10000 to 50000 for WebRTC, receiving and dispatching data transferring.

### Open Default Port 2: BLE (Bluetooth Low Energy)

Port Description:

When the device is turned on and working normally, the bluetooth service is not enabled. The bluetooth broadcasting and communication will be enabled, and the device will provide bluetooth pairing service. The bluetooth will be automatically disabled after the pairing is completed.

Model: T8172

1. Power consumption in low power:  $\leq 0.5$  W;

When the product is fully charged and supplied by the EPS, it enters the low power consumption condition after 1 minute.

2. Recommended external adapter:

Brand: ANKER

Manufacturer: Anker Innovations Limited

Model: A2637

Input: 100-240V~ 0.6A, 50-60Hz

Output: 5.0VDC, 3.0A, 20W

Model: T8030

1. Networked standby mode:  $\leq 7$  W;

When the product is connected to the router via the RJ45 port and provides Wi-Fi signal to T8172, in case of no data transmission, it enters the networked standby mode after 1 minute.

When the product is disconnected from the RJ45 port and does not provide Wi-Fi signal to T8172, in case of no data transmission, it enters the networked standby mode after 1 minute.

2. Adapter information:

Brand: Keyu

Manufacturer: Shenzhen Keyu Power Supply Technology Co., Ltd.

Model: KA2401A-2001200EU

Input: 100-240V~, 50/60Hz or 50-60Hz, 0.65A Max

Output: 20.0VDC, 1.2A, 24.0W