

## Vertical Dual Monitor Stand - Aluminum



### **User Manual** **SKU#: ARMDUOVS**

# Compliance Statements

## **Use of Trademarks, Registered Trademarks, and other Protected Names and Symbols**

This manual may make reference to trademarks, registered trademarks, and other protected names and/or symbols of third-party companies not related in any way to StarTech.com. Where they occur these references are for illustrative purposes only and do not represent an endorsement of a product or service by StarTech.com, or an endorsement of the product(s) to which this manual applies by the third-party company in question. Regardless of any direct acknowledgement elsewhere in the body of this document, StarTech.com hereby acknowledges that all trademarks, registered trademarks, service marks, and other protected names and/or symbols contained in this manual and related documents are the property of their respective holders.

## Safety Statements

- Product installation and/or mounting should be completed by a certified professional as per the local safety and building code guidelines.
- Cables (including power and charging cables) should be placed and routed to avoid creating electric, tripping or safety hazards.

## Mesures de Sécurité

- L'installation et/ou le montage du produit doit être réalisé par un professionnel certifié et dans le respect des normes locales et du code de construction local.
- Les câbles (y compris les câbles d'alimentation et de chargement) doivent être placés et acheminés de façon à éviter tout risque électrique, de chute ou de sécurité

## 安全対策

- 製品の設置やマウントは、使用地域の安全ガイドラインおよび建築基準に従い、有資格の専門業者が行うようにしてください。
- ケーブル(電源ケーブルと充電ケーブルを含む)は、適切な配置と引き回しを行い、電気障害やつまづきの危険性など、安全上のリスクを回避するようにしてください。

## Misure di Sicurezza

- L'installazione e/o il montaggio dei prodotti devono essere eseguiti da un tecnico professionale certificato che conosca le linee guida locali sulle norme edilizie e sulla sicurezza.
- I cavi (inclusi i cavi di alimentazione e di ricarica) devono essere posizionati e stesi in modo da evitare pericoli di inciampo, rischi di scosse elettriche o pericoli per la sicurezza.

## Säkerhetsåtgärder

- Installation och/eller montering får endast göras av behöriga yrkespersoner och enligt gällande lokala förordningar för säkerhet och byggnormer.
- Kablar (inklusive elkablar och laddningskablar) ska dras och placeras på så sätt att risk för snubblingsolyckor och andra olyckor kan undvikas.

## Warning Statements

- Make sure to assemble this product according to the instructions. Failure to do so might result in personal injury or property damage.
- Make sure that the weight of the monitors doesn't exceed the weight capacity of this product. If you exceed the weight capacity, you might experience personal injury or damage to the equipment. This product can support the following weight: 17.6 lb. (8 kg) per monitor mount.
- Never operate this product if parts are missing or damaged.

## Varningsmeddelanden

- Se till att du monterar produkten i enlighet med instruktionerna. Om du inte gör det kan skada på person eller egendom uppstå.
- Se till att skärmens vikt inte överstiger produktens viktkapacitet. Om viktkapaciteten överstigs kan skada på person eller utrustning uppstå. Denna produkt har stöd för följande vikter: 8 kg per skärm.
- Använd aldrig produkten om delar saknas eller är skadade.

## Avertissements

- Assemblez ce produit conformément aux instructions. Si vous ne respectez pas ces instructions, vous risquez de vous blesser ou d'endommager l'équipement.
- Vérifiez que le poids du moniteur ne dépasse pas la capacité pondérale du produit. Si vous dépassez la capacité pondérale, vous risquez des blessures corporelles ou des dommages matériels. Ce produit peut supporter 8 kg par écran.
- N'utilisez pas ce produit si des pièces sont endommagées ou manquantes.

## Warnhinweise

- Montieren Sie dieses Produkt gemäß den Anweisungen. Anderenfalls kann dies zu Verletzungen von Personen oder Schäden an Eigentum führen.
- Das Gewicht des Monitors darf die zulässige Traglast des Produkts nicht übersteigen. Wenn die Traglast überschritten wird, kann dies zu Verletzungen von Personen oder Schäden an Geräten führen. Dieses Produkt ist für folgendes Gewicht geeignet: 8 kg per monitor.
- Das Produkt darf nicht bedient werden, wenn Teile fehlen oder beschädigt sind.

## Dichiarazioni di Avvertenza

- Assemblare il prodotto rispettando le istruzioni. Il mancato rispetto delle istruzioni potrebbe causare danni a persone o proprietà.
- Verificare che il peso del monitor non superi la capacità di supporto del prodotto. In caso di superamento della capacità di supporto potrebbero verificarsi danni a persone o apparecchiature. Il prodotto è in grado di supportare i seguenti pesi: 8 kg per monitor.
- Non utilizzare il prodotto in presenza di parti mancanti o danneggiate.

## Mensagens de Aviso

- Certifique-se de que monta este produto de acordo com as instruções. O incumprimento pode resultar em ferimentos pessoais ou danos de propriedade.
- Certifique-se de que o peso do monitor não excede a capacidade de peso deste produto. Se exceder a capacidade de peso, pode sofrer ferimentos pessoais ou danos no equipamento. Este produto pode suportar o seguinte peso: 8 kg por monitor.
- Nunca opere este produto se faltarem peças ou estas estiverem danificadas.

## Advertencias de Uso

- Asegúrese de ensamblar este producto según las instrucciones. De lo contrario, pueden producirse lesiones personales o daños de propiedad.
- Asegúrese de que el peso del monitor no exceda la capacidad de carga de este producto. Si se excede dicha capacidad se podrían producirse lesiones personales o daños al equipo. Este producto tiene capacidad para el siguiente peso: 8 kg por monitor.
- Nunca opere o ponga en funcionamiento este producto si faltan piezas o hay daños en las mismas.

## Waarschuwingen

- Zorg dat dit product volgens de instructies in elkaar wordt gezet. Indien dit niet goed gebeurt kan lichamelijk letsel of materiële schade ontstaan.
- Zorg dat het gewicht van het scherm de maximale capaciteit van dit product niet overschrijdt. Als u de gewichtscapaciteit overschrijdt, kan persoonlijk letsel of schade aan de apparatuur ontstaan. Dit product ondersteunt het volgende gewicht: 8 kg per monitor.
- Gebruik dit product nooit als er onderdelen ontbreken of beschadigd zijn.

## 注意

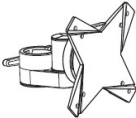



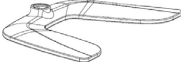











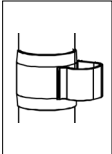
- 必ず取扱説明書に従って本製品の組み立てを行って下さい。取り扱いを誤った場合に、傷を負う恐れや物的損害が発生する恐れがあります。
- 取り付けるモニターの重量が、本製品で定められた最大積載重量を超えないようにして下さい。最大積載重量をオーバーした場合、傷を負う恐れやモニターや本製品に損害が発生する恐れがあります。本製品は、モニター1台あたり10kgまで支持できます。
- 本製品で使用している部品の一部が紛失していたり損傷している状態で使用するのは絶対に止めて下さい。

# Table of Contents

<b>Compliance Statements</b> .....	<b>i</b>
<b>Safety Statements</b> .....	<b>ii</b>
<b>Warning Statements</b> .....	<b>iii</b>
<b>Product Information</b> .....	<b>1</b>
Package Contents .....	1
Product Diagram .....	2
Product Dimensions.....	3
Technical Specifications.....	4
Requirements .....	5
<b>Assembly</b> .....	<b>6</b>
Attach the Cable-Management Hooks.....	6
Attach the Lower Column .....	7
Attach the Lower VESA Mount .....	8
Attach the Upper VESA Mount.....	8
Attach the Monitors .....	11
Cable Management.....	15
Monitor Placement.....	15
<b>Operation</b> .....	<b>16</b>
Adjust the Monitor Height.....	16
Adjust the Swivel.....	17
Adjust the Tilt and Rotation.....	18
Quickly Removing a VESA Mount.....	19
Quickly Attaching a VESA Mount .....	20

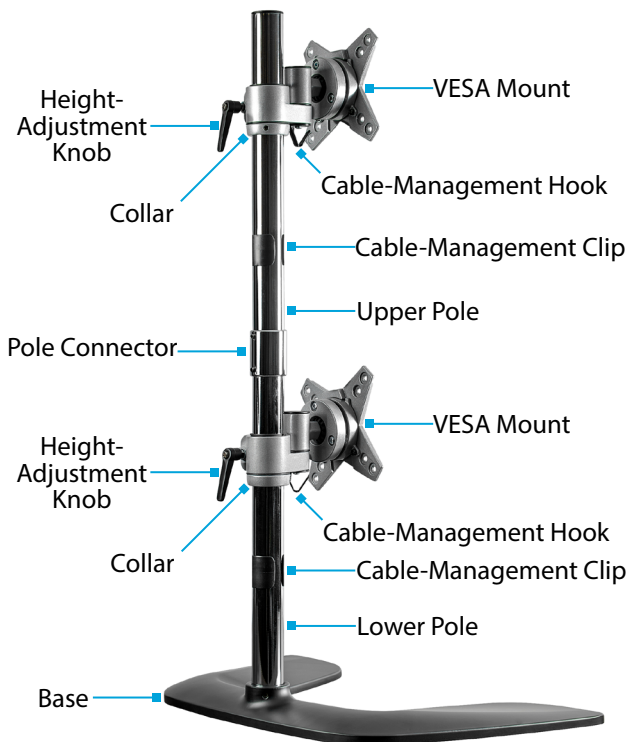
# Product Information

## Package Contents

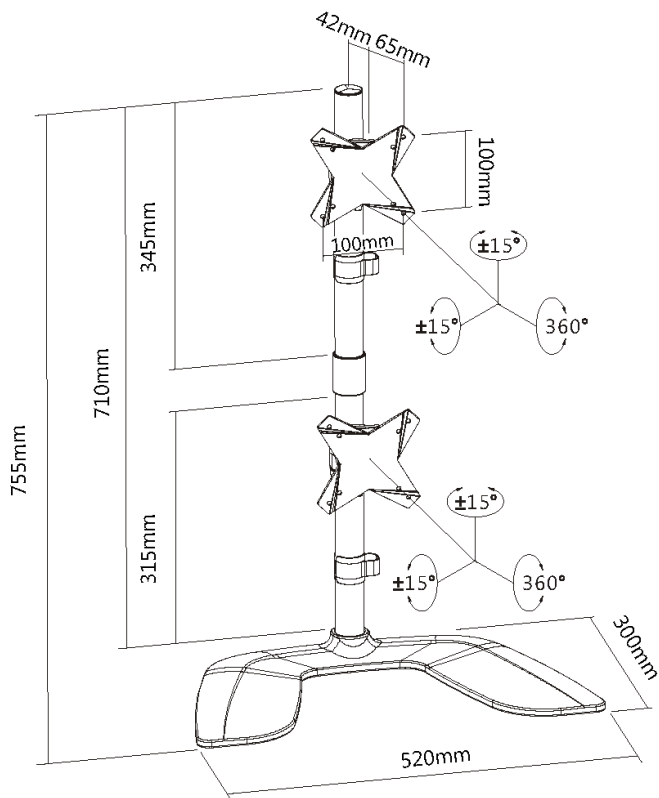
 <p>VESA Mounts x 2</p>	 <p>Lower Pole x 1</p>	 <p>Upper Pole x 1</p>	 <p>Pole Connector x 1</p>
 <p>Base x 1</p>	 <p>Cable-Management Hooks x 2</p>	 <p>Cable-Management Hook Screws x 2</p>	 <p>M4 x 14 Screws x 8</p>
 <p>M5 x 14 Screws x 8</p>	 <p>Washers x 8</p>	 <p>M4 x 30 Screws x 8</p>	 <p>M5 x 30 Screws x 8</p>
 <p>Spacers x 16</p>	 <p>3 mm Hex Key with Screwdriver Tip x 1</p>	 <p>3 mm Hex Key x 1</p>  <p>4 mm Hex Key x 1</p>	 <p>Cable Mgmt. Clip x 2</p>

To view manuals, videos, drivers, downloads, technical drawings, and more visit [www.startech.com/support](http://www.startech.com/support)

## Product Diagram

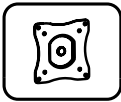

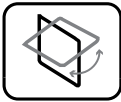
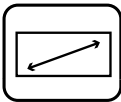
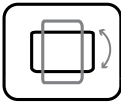



## Product Dimensions



To view manuals, videos, drivers, downloads, technical drawings, and more visit [www.startech.com/support](http://www.startech.com/support)

# Technical Specifications

Type of Measurement	Measurement
VESA Mounting Hole Pattern 	75x75 100x100
Weight Capacity 	Up to 17.6 lb. (8 kg) Per Monitor
Tilt 	+15° to -15°
Maximum Screen Size 	27" (686 mm)
Rotate 	360°
Swivel 	+15° to -15°

To view manuals, videos, drivers, downloads, technical drawings, and more visit [www.startech.com/support](http://www.startech.com/support)

## Requirements

For the latest requirements, please visit [www.StarTech.com/ARMDUOVS](http://www.StarTech.com/ARMDUOVS).

- Two Monitors

**Note:** Both Monitors must conform to the size, weight, and VESA pattern requirements (see [Technical Specifications](#)).

- Phillips Head Screwdriver
- (Optional) Two People for Installation

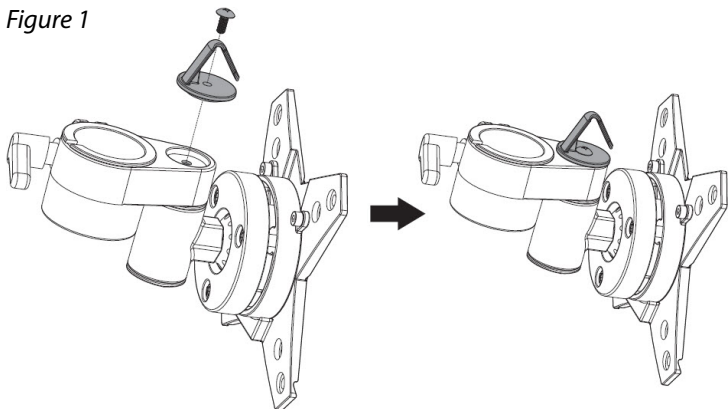
## Assembly

**Warning!** Make sure that the weight of the **Monitors** does not exceed the weight capacity of this product. If you exceed the weight capacity, you might experience personal injury or damage to the product.

### Attach the Cable-Management Hooks

1. Place the two **VESA Mounts** upside down on your **Desk**.
2. Place the **Cable-Management Hooks** onto the corresponding circular indentations on the **VESA Mounts**.
3. Insert the **Cable-Management Hook Screws** through the **Cable-Management Hooks** and into the **VESA Mounts**.  
(Figure 1)

Figure 1



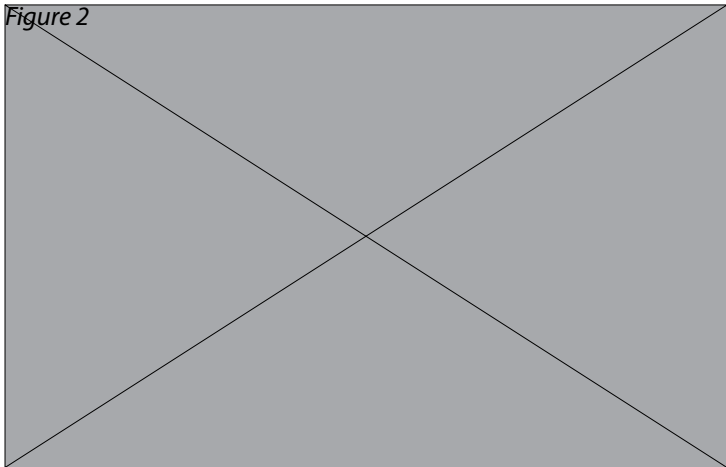
4. Tighten the **Cable-Management Hook Screws** using a **Phillips Head Screwdriver**.

**Note:** *There is a slight indentation in the **Cable-Management Hooks** that allows you to fit a **Phillips Head Screwdriver** into the heads of the **Cable-Management Hook Screws**.*

## Attach the Lower Column

1. Loosen the **Hex Screws** that are located on the **Base** using the **3 mm Hex Key**.
2. Screw the **Lower Pole** onto the **Base**.
3. Tighten the **Hex Screws** that are located on the **Base** using the **3 mm Hex Key**. (Figure 2)

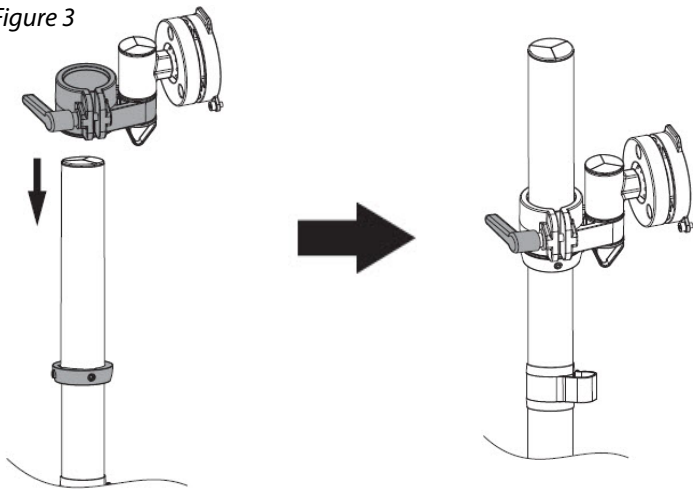
Figure 2



## Attach the Lower VESA Mount

1. Loosen the **Height-Adjustment Knob** on one of the **VESA Mounts**.
2. Slide one **VESA Mount** over the **Lower Pole**. (Figure 3)  
**Note:** Do not tighten the **Height-Adjustment Knob** yet.

Figure 3

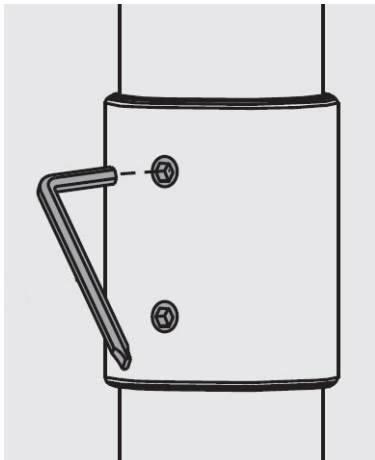


## Attach the Upper VESA Mount

1. Loosen the **Hex Screws** on the **Pole Connector** using the **3 mm Hex Key**.

2. Connect the **Lower Pole** to the **Upper Pole** using the **Pole Connector**: Screw the **Pole Connector** onto the **Lower Pole**. (Figure 4)

Figure 4



3. Screw the **Upper Pole** into the **Pole Connector**. (Figure 5)
4. Tighten the **Hex Screws** on the **Pole Connector** using the **3 mm Hex Key**.
5. Loosen the **Height-Adjustment Knob** on the second **VESA Mount**.
6. Slide the second **VESA Mount** over the **Upper Pole**. (Figure 6)

**Note:** Do not tighten the **Height-Adjustment Knob** yet.

Figure 5

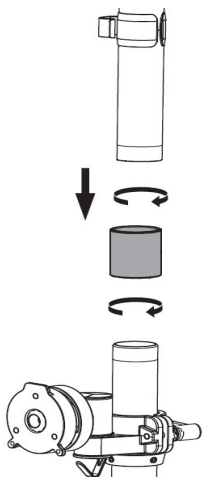
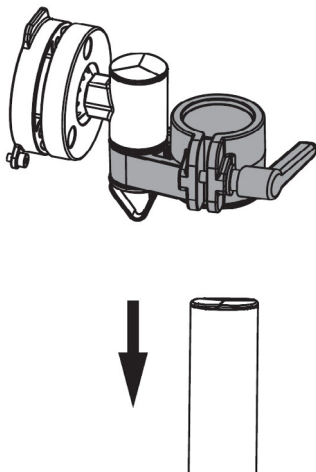


Figure 6



## Attach the Monitors

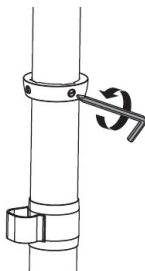
**ARMDUOVS** is designed to be used with **Monitors** that are the same size and weight. If you attach **Monitors** that are different sizes and weights to the **ARMDUOVS**, you do so at your own risk.

To accommodate different **Monitor** designs, **ARMDUOVS** comes with four sets of **Screws** that are different lengths and diameters.

To select the appropriate **Screws** for the type of **Monitors** that you are using, complete the following:

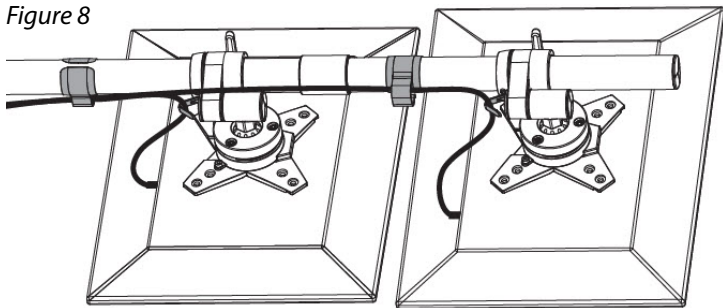
- Determine whether the **Monitor's VESA Mounting Hole Patterns** are flush or inset. Inset mounts may require the use of the **Spacers**.
  - Determine the depth of the **Mounting Holes** on the **Monitors**.
  - Determine the diameter of the **Mounting Holes** on the **Monitors**.
1. Loosen the two **Flat-Head Screws** on each of the **Collars**, using the **3 mm Hex Key with Screwdriver Tip**. (*Figure 7*)

Figure 7



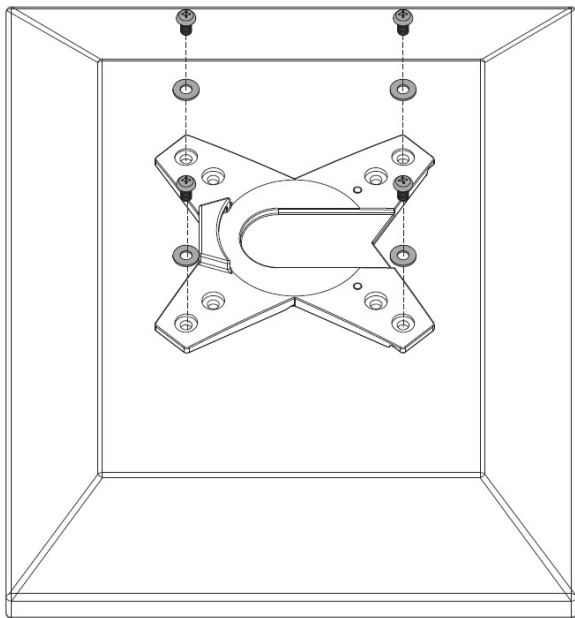
2. Place the two **Monitors** screen side down, on a flat, bare surface. Ensure that the **Monitors** are stacked, with the top of the lower **Monitor** touching the bottom of the upper **Monitor**. This will ensure a seamless fit.
3. Lift, tilt, and place the entire **Monitor Mount Assembly** over the two **Monitors**.
4. Adjust the two **VESA Mounts**, up or down the **Upper** or **Lower Poles**, so that the **Mounting Holes** on the **VESA Mount** align with the **VESA Mounting Hole Pattern** on the back of your **Monitors**. (Figure 8)

Figure 8



5. Position four of the **Washers** over the holes on each of the **VESA Mounts**. (Figure 9)

Figure 9



6. (Optional) If the **VESA Mount** does not sit flush with your **Monitor**, use the **Spacers** to close the gap between your **Monitor** and the **VESA Mount**.
7. Insert four of the appropriately sized **Screws** through the **Washers**, the **VESA Mounts**, and into each of the **Monitors**.

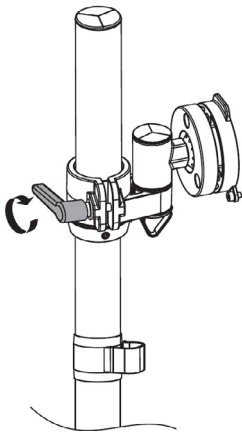
- Use a **Phillips Screwdriver** to tighten all of the **Screws**.

**Warning!** Do not over-tighten the **Screws**. If you encounter resistance while you're tightening the **Screws**, stop tightening. Failure to do so could result in damage to the **Monitors**.

- Tighten the **Height-Adjustment Knob** on each of the **VESA Mounts**. (Figure 10)

**Note:** The **Height-Adjustment Knob** has a ratchet feature. Freely rotate the **Height-Adjustment Knob** by pulling it away from the **VESA Mount** and rotating it to the desired position.

Figure 10

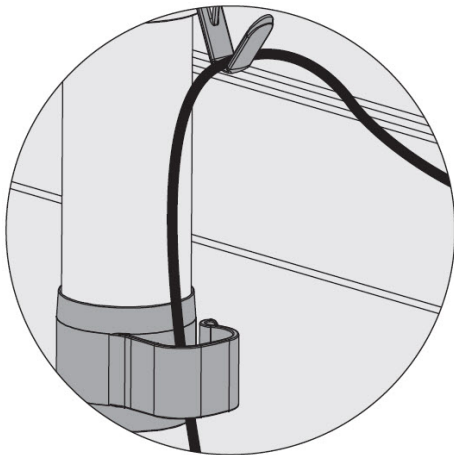


- Slide the **Collars** up the **Lower** and **Upper Poles** so that each **Collar** sits flush with the corresponding **VESA Mount**.
- Tighten the two **Flat-Head Screws** that are located on each **Collar**, using the **3 mm Hex Key with Screwdriver Tip**.

## Cable Management

1. Connect the **Power and Video Cables** to each **Monitor**.
2. Route the **Power and Video Cables** through the **Cable-Management Hooks**.
3. Route the **Power and Video Cables** through the **Cable-Management Clips**. (Figure 11)

Figure 11



## Monitor Placement

**Warning!** Lifting the **Monitor Mount Assembly** is a two-person job. Do not attempt to complete this task by yourself.

**Tipping hazard!** **ARMDUOVS** is free-standing and when you attach Monitors to it, you increase the tipping hazard.

1. With **Two People**: Lift the **Monitor Mount Assembly** into an upright position.
2. Position the **Monitor Mount Assembly** on the desired location of your **Desk**.
3. Connect the **Video Cables** from each **Monitor** into your **Computer, Laptop, or Docking Station**.
4. Connect the **Power Cables** from each **Monitor** to an **AC Electrical Outlet**.

## Operation

### Adjust the Monitor Height

**Warning!** *Adjusting the **Monitor** height is a two-person job. Do not attempt to complete this task by yourself.*

1. **Person one**: hold the **Monitor** in place.
2. **Person two**: Loosen the two **Flat-Head Screws** on each of the **Collars** using the **3 mm Hex Key with Screwdriver Tip**.
3. **Person two**: Loosen the **Height-Adjustment Knob** on each of the **VESA Mounts**.
4. **Person one**: Adjust the height of the **Monitor** to the desired viewing height.
5. **Person two**: Adjust both **Collars** so that each **Collar** sits flush with the **VESA Mounts**. Tighten the two **Flat-Head Screws** on each of the **Collars**, using the **3 mm Hex Key with Screwdriver Tip**.

**Note:** *Do not over-tighten these **Screws**.*

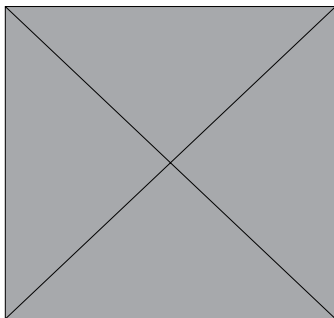
6. **Person two:** Tighten the **Height-Adjustment Knob** on each of the **VESA Mounts**.

## Adjust the Swivel

ARMDUOVS comes ready for swivel adjustments. Your **Monitors** can easily be adjusted by swivelling the **Monitors** from side to side. To increase or reduce the tension for the swivel adjustment, follow these steps:

1. Remove the **Cap** located on the **VESA Mount** to reveal the **4 mm Hex Screw**. The **Cap** is located above the **Cable-Management Hook**. (Figure 12)

Figure 12



2. Loosen the **4 mm Hex Screw**.
3. Swivel the **Monitor** to the desired position.
4. Tighten the **4 mm Hex Screw** using the **4 mm Hex Key**.

**Note:** Do not over-tighten the **4 mm Hex Screws**.

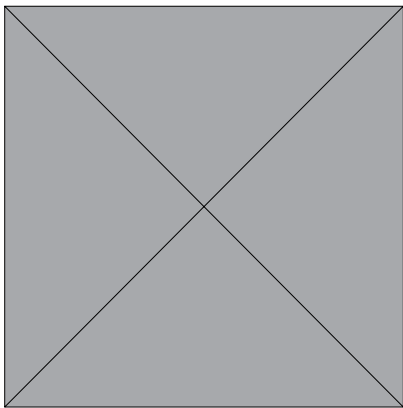
5. Return the **Cap** to its original position.

## Adjust the Tilt and Rotation

ARMDUOVS comes ready for tilt and rotation adjustments. Your **Monitors** can easily be adjusted by tilting the **Monitors** forwards or backwards, or side to side. You can also rotate your **Monitors** from portrait to landscape view. To increase or reduce the tension for the tilt and rotation adjustments, follow these steps:

1. Loosen the three **Hex Screws** on the rear of the **VESA Mounts** using the **3 mm Hex Key**. (*Figure 13*)

*Figure 13*



2. Tilt your **Monitors** to the desired viewing angle.  
Or  
Rotate your **Monitors** to portrait or landscape view.

**Note:** *Ensure that there is ample clearance to fit both **Monitors**. Some adjustments to the height of the **VESA Mount** will be necessary in order to tilt or rotate your **Monitors**.*

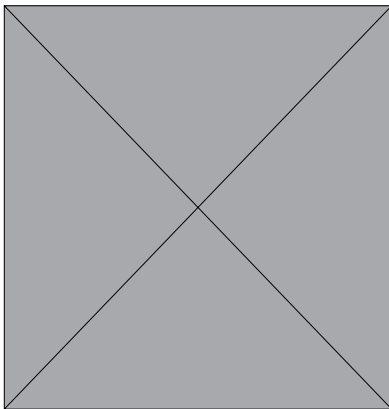
3. Tighten the three **Hex Screws** on the rear of the **VESA Mounts** using the **3 mm Hex Key**.

**Note:** *Do not over-tighten the **Hex Screws**.*

## Quickly Removing a VESA Mount

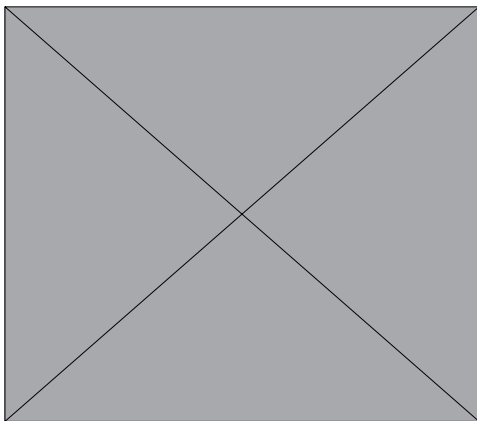
1. Remove the two **Hex Screws** on the rear of the **VESA Mounts** using the **3 mm Hex Key**. (Figure 14)

Figure 14



2. Slide the **VESA Mount** up to remove it from the **VESA Mount Holder**. (Figure 15)

Figure 15



## Quickly Attaching a VESA Mount

1. Align the **VESA Mount** with the **VESA Mount Holder** and slide the **VESA Mount** down aligning the **Hex Screw Hole** on the **VESA Mount** with the **Hex Screw Hole** on the **VESA Mount Holder**.
2. Insert the two **Hex Screws** through the **Hex Screw Holes** on the **VESA Mount Holder** and into the **Hex Screw Holes** on the **VESA Mount**.
3. Using the **3 mm Hex Key**, tighten the **Hex Screw**.

## Warranty Information

This product is backed by a five-year warranty.

For further information on product warranty terms and conditions, please refer to [www.startech.com/warranty](http://www.startech.com/warranty).

## Limitation of Liability

In no event shall it be the liability of StarTech.com Ltd. and StarTech.com USA LLP (or their officers, directors, employees or agents) for any damages (whether direct or indirect, special, punitive, incidental, consequential, or otherwise), loss of profits, loss of business, or any pecuniary loss, arising out of or related to the use of the product exceed the actual price paid for the product.

Some states do not allow the exclusion or limitation of incidental or consequential damages. If such laws apply, the limitations or exclusions contained in this statement may not apply to you.







## Hard-to-find made easy. At StarTech.com, that isn't a slogan. It's a promise.

StarTech.com is your one-stop source for every connectivity part you need. From the latest technology to legacy products — and all the parts that bridge the old and new — we can help you find the parts that connect your solutions.

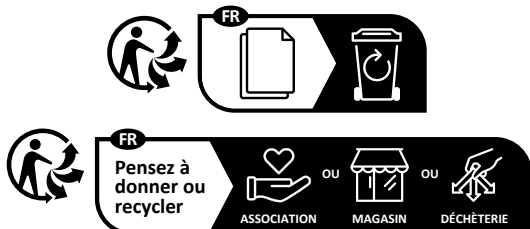
We make it easy to locate the parts, and we quickly deliver them wherever they need to go. Just talk to one of our tech advisors or visit our website. You'll be connected to the products you need in no time.

Visit [www.startech.com](http://www.startech.com) for complete information on all StarTech.com products and to access exclusive resources and time-saving tools.

StarTech.com is an ISO 9001 registered manufacturer of connectivity and technology parts since 1985 with operations around the world.

### Reviews

Share your experiences using StarTech.com products, including product applications and setup, what you love about the products, and areas for improvement.



[www.quefairedemesdechets.fr](http://www.quefairedemesdechets.fr)

### StarTech.com Ltd.

45 Artisans Crescent  
London, Ontario  
N5V 5E9  
Canada

### StarTech.com LLP

4490 South Hamilton Road  
Groveport, Ohio  
43125  
U.S.A.

### StarTech.com Ltd.

Unit B, Pinnacle 15  
Gowerton Road  
Brackmills,  
Northampton  
NN4 7BW  
United Kingdom

### StarTech.com Ltd.

Siriusdreef 17-27  
2132 WT Hoofddorp  
The Netherlands

FR: [fr.startech.com](http://fr.startech.com)

ES: [es.startech.com](http://es.startech.com)

IT: [it.startech.com](http://it.startech.com)

DE: [de.startech.com](http://de.startech.com)

NL: [nl.startech.com](http://nl.startech.com)

JP: [jp.startech.com](http://jp.startech.com)

To view manuals, videos, drivers, downloads, technical drawings, and more visit [www.startech.com/support](http://www.startech.com/support)