

lenovo

Lenovo[®]

IdeaPad[™] S9e and S10e User Guide

Note

Before using this information and the product it supports, be sure to read the following:

- Chapter 7, "Safety, use, and care information," on page 83.
- Appendix D, "Notices," on page 139.
- *Regulatory Notice* included in the package with this publication.

The *Regulatory Notice* has been uploaded on the Web site. To refer to it, go to <http://www.lenovo.com/support>, click Troubleshooting, and then click User's guides and manuals.

Second Edition (October 2008)

© Copyright Lenovo 2008. All rights reserved.

LENOVO products, data, computer software, and services have been developed exclusively at private expense and are sold to governmental entities as commercial items as defined by 48 C.F.R. 2.101 with limited and restricted rights to use, reproduction and disclosure.

LIMITED AND RESTRICTED RIGHTS NOTICE: If products, data, computer software, or services are delivered pursuant a General Services Administration "GSA" contract, use, reproduction, or disclosure is subject to restrictions set forth in Contract No. GS-35F-05925.

© 2008 Lenovo

Contents

Chapter 1. Getting to know your computer	1
Top view	1
Left-side view	3
Right-side view	4
Front view	6
Bottom view	7
Chapter 2. Using your computer	9
Putting your computer to standby or shutting it down	9
Putting your computer to standby	9
Shutting down your computer	10
Using the touch pad	10
Using the keyboard	12
Numeric keypad	12
Function key combinations	13
Using memory cards	15
Inserting a memory card	15
Removing a memory card	16
Using the integrated camera	16
Using the Internet	16
Using LAN port	17
Using wireless LAN	18
Securing your computer	18
Attaching a security lock (optional)	18
Using passwords	19
Installing device drivers	25
Using battery and AC adapter	26

Your computer batteries	27
Checking battery status	27
Using the AC adapter	28
Charging the battery	30
Handling the battery	30
Using Lenovo Quick Start.	33

Chapter 3. Using external devices 35

Connecting a Universal Serial Bus (USB) device	35
Connecting a PC card device	37
Connecting an external display	38
Connecting a VGA monitor	38
Connecting a headphone and audio device	39
Connecting an external microphone	41
Connecting a Bluetooth device	41
Enabling Bluetooth communications	42

Chapter 4. Troubleshooting 43

Frequently asked questions	43
Diagnosing problems	45
Diagnosing problems using PC-Doctor for DOS	46
Troubleshooting.	47
Display problems	47
Password problems	48
Keyboard problems	49
Standby or hibernation problems	49
Computer screen problems	51
Sound problems	54
Battery problems	55
A hard disk drive problem	56

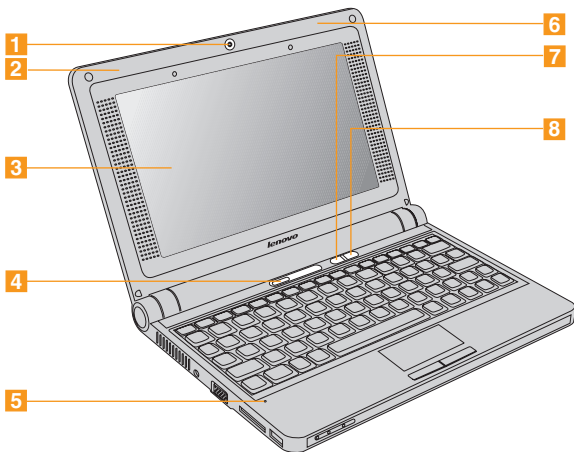
A startup problem	56
Other problems	57
Chapter 5. Upgrading and replacing devices	59
Replacing the battery	59
Upgrading the hard disk drive	64
Replacing memory	71
Chapter 6. Getting help and service	77
Getting help and service	77
Getting help on the Web	77
Calling the Customer Support Center	78
Getting help around the world	80
Worldwide telephone list	81
Chapter 7. Safety, use, and care information	83
Important safety information	83
Conditions that require immediate action	84
Safety guidelines	85
Caring your computer	105
Be careful about where and how you work	105
Be gentle with your computer	108
Carry your computer properly	108
For outdoor use	108
Handle storage media and drives properly	109
Data safety	109
Take care in setting passwords	109
Other important tips	109
Cleaning the cover of your computer	110
Cleaning your computer keyboard	111

Cleaning your computer display	112
Accessibility and comfort	112
Ergonomic information	112
What if you are traveling?	114
Questions about vision?	115
Maintenance	115
General tips for maintenance	115
Appendix A. Warranty information	119
Lenovo Limited Warranty	119
Warranty information	126
Types of warranty service	128
Suplemento de Garantía para México	130
Appendix B. Customer Replaceable Units (CRUs)	133
Appendix C. Specifications	137
Specifications	137
Appendix D. Notices	139
Notices	139
Export classification notice	141
Television output notice	141
Wireless related information.	141
Wireless interoperability	141
Usage environment and your health	143
Electronic emissions notices	143
Federal Communications Commission (FCC) Statement	144
Industry Canada Class B emission compliance statement	145

Avis de conformité à la réglementation d'Industrie Canada	145
European Union EMC Directive conformance statement	145
EU-EMC Directive (2004/108/EC) EN 55022 class B Statement of Compliance	146
Japanese VCCI Class B statement	148
Japan compliance statement for power line harmonics	148
WEEE and recycling statements	149
General recycling statement	149
EU WEEE Statements.	149
Japan recycling statements	150
Collecting and recycling a disused Lenovo computer or monitor	150
Disposing of a Lenovo computer components	150
Disposing a disused battery pack from Lenovo notebook computers	151
Notice for users in the U.S.A.	151
Notice on deleting data from your hard disk drive or solid state drive	152
ENERGY STAR model information.	153
Explanation of hard disk capacity	155
Trademarks	157
Index	159

Chapter 1. Getting to know your computer

Top view



* The illustrations in this manual may differ from the actual product.

1 Integrated camera

See “Using the integrated camera” on page 16.

2 Wireless LAN (main)

See “Using wireless LAN” on page 18.

3 Computer display

The color display with TFT technology provides clear and brilliant text and graphics.

4 Power button

Use the power button to turn on the computer.

5 Microphone (built-in)

The built-in microphone can be used for video conferencing, voice narration, or simple audio recordings.

6 Wireless LAN (auxiliary)

See “Using wireless LAN” on page 18.

7 Novo button

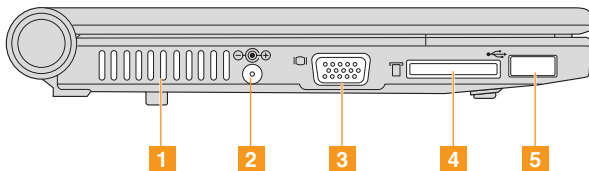
Use to open Application Launcher when the Windows® operating system is running. The Application Launcher provides quick access to common and frequently used applications.

For more information about using the Novo button with Lenovo Quick Start, see “Using Lenovo Quick Start” on page 33.

8 Wireless device switch

Use this switch to simultaneously turn on or turn off Wireless LAN and *Bluetooth* devices.

Left-side view



1 Fan louvers

The fan louvers allow warm air to exit the computer.

Important:

Make sure that paper, books, clothing, cables, or other objects do not block any of the fan louvers or else overheating of the computer may occur.

2 AC power adapter jack

Connect the power adapter here to supply power to the computer and charge the internal battery.

Note:

To prevent damage to the computer and battery pack, use the supplied AC adapter only. The AC adapter is for this product. Do not use it for any other product.

3 VGA port

See “Connecting a VGA monitor” on page 38.

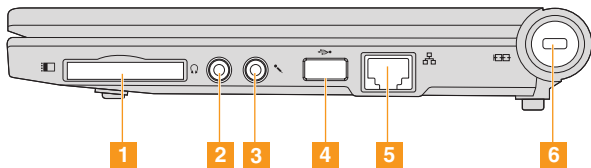
4 Multi-media reader slot

See “Using memory cards” on page 15.

5 USB 2.0 port

See “Connecting a Universal Serial Bus (USB) device” on page 35.

Right-side view



1 PCI Express card slot

See “Connecting a PC card device” on page 37.

2 Headphone jack (external)

See “Connecting a headphone and audio device” on page 39.

3 Microphone jack (external)

See “Connecting an external microphone” on page 41.

4 USB 2.0 port

See “Connecting a Universal Serial Bus (USB) device” on page 35.

5 LAN port

See “Using LAN port” on page 17.

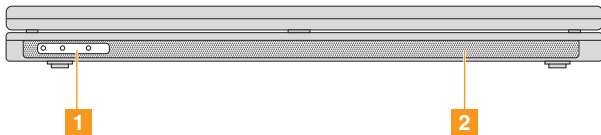
6 Security keyhole

Your computer comes with a security keyhole. You can purchase a security cable and lock to fit this keyhole.

Note:

Before purchasing any security product, verify that it is compatible with this type of security keyhole.

Front view



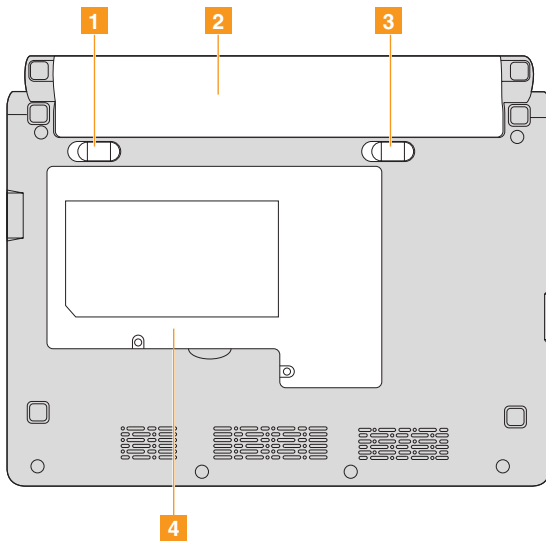
1 System status indicators

The system status indicators show the current status of your computer.

2 Speakers

Built-in speakers for rich powerful sound.

Bottom view



1 Battery latch - spring loaded

The spring-loaded battery latch keeps the battery pack secured in place.

When you insert a battery pack, this latch automatically secures the battery in place. To remove the battery, hold this latch in the unlocked position.

2 Battery pack

See “Handling the battery” on page 30.

3 Battery latch - manual

The manual battery latch is used to keep the battery pack secured. Move the manual battery latch to the unlocked position to insert or remove the battery pack. Move the manual latch to the locked position after inserting the battery pack.

4 Hard disk drive/memory (RAM) compartment

- **Hard disk drive**

The hard disk drive is secured in a compartment.

Important:

Do not disassemble the hard disk drive by yourself. If you do need to, ask a Lenovo authorized service center or dealer to disassemble it.

- **Memory (RAM) compartment**

The memory compartment provides expansion capabilities for additional memory. The BIOS automatically detects the amount of memory in the system and configures CMOS accordingly during the Power-On Self-Test (POST) process. There is no hardware or software (including BIOS) setup required after the memory is installed.

Note:

Only purchase expansion modules from authorized retailers of this computer to ensure maximum compatibility and reliability.

Chapter 2. Using your computer

Putting your computer to standby or shutting it down

When you finish working with your computer, you can put it to standby or shut it down.

The computer with the solid state drive (SSD) does not support hibernation function.

Putting your computer to standby

If you will be away from your computer for only a short time, put the computer to standby.

When the computer is in standby, you can quickly wake it and bypass the startup process.

To put the computer to standby, do one of the following.

- Click **Start** and select **Standby** from Turn Off Computer.
- Press **Fn + F1**.



WARNING

Wait until the power indicator light starts blinking (indicating that the computer is in standby) before you move your computer. Moving your computer while the hard disk is spinning can damage the hard disk, causing loss of data.

To wake the computer, press the power button.

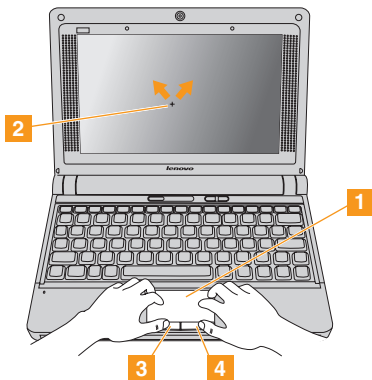
Shutting down your computer

If you are not going to use your computer for a day or two, shut it down.

To shut down your computer, click **Start** and select **Turn Off** from Turn Off Computer.

Using the touch pad

The touch pad consists of a pad **1** and two click buttons at the bottom of the keyboard. To move the cursor **2** on the screen, slide your fingertip over the pad in the direction in which you want the cursor to move. The functions of the left **3** and right **4** click buttons correspond to those of the left and right mouse buttons on a conventional mouse.



Note:

You can also attach and use a USB mouse through the USB connector.
For details, see “Connecting a Universal Serial Bus (USB) device” on page 35.

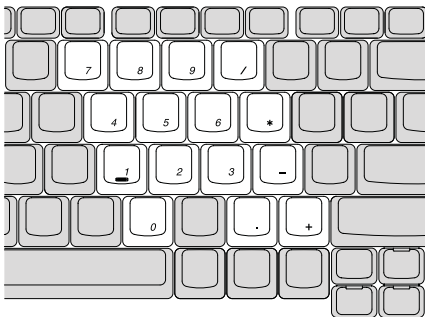
Using the keyboard

Your computer has a numeric keypad and function keys incorporated in the standard keyboard.

Numeric keypad

The keyboard has keys that, when enabled, work as a 10-key numeric keypad.

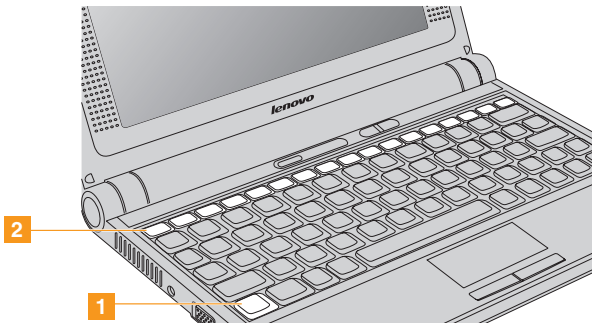
To enable or disable the numeric keypad, press **Fn + F7**.



* The illustrations in this manual may differ from the actual product.

Function key combinations

Through the use of the function keys, you can change operational features instantly. To use this function, press and hold the **Fn** key **1** ; then press one of the function keys **2** .



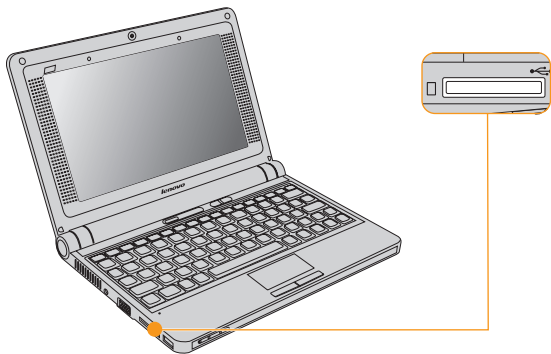
The following describes the features of each function key.

- | | |
|-----------------|--|
| Fn + F1: | Put your computer in standby mode. |
| Fn + F2: | Turn off/on the LCD screen. |
| Fn + F3: | Shift to other connected display devices. |
| Fn + F5: | Enable/disable the built-in wireless device feature. |

Fn + F6:	Enable/disable the touch pad.
Fn + F7/NmLk:	Enable/disable the Numeric keypad.
Fn + F8/ScrLk:	Enable/disable Scroll Lock.
Fn + F9/Break:	Activate the Break function.
Fn + F10/Pause:	Activate the Pause function.
Fn + F11/F12:	Activate the F12 function.
Fn + PgUp/Home:	Activate the Home function.
Fn + PgDn/End:	Activate the End function.
Fn + Ins/SysRq:	Activate the System Request.
Fn + Del/PrtSc:	Activate the Print Screen.
Fn + up/down arrow:	Increase/decrease display brightness.
Fn + right/left arrow:	Increase/decrease computer volume.

Using memory cards

Your computer comes with one Multi-media reader slot used to insert a memory card, such as an SD Card, a Multi-media Card, a Memory Stick, or a Memory Stick pro card.



Note:

Only use the memory card listed above; for more information about the usage, read the instructions shipped with the memory card.

Inserting a memory card

Gently slide the memory card with the arrow facing upward and pointing toward the Multi-media reader slot. Slide until it clicks into place.

Removing a memory card

1. Push the memory card until you hear a click.
 2. Gently pull the memory card out of the Multi-media reader slot.
-

Using the integrated camera

Your computer has an integrated camera (USB2.0 Camera).

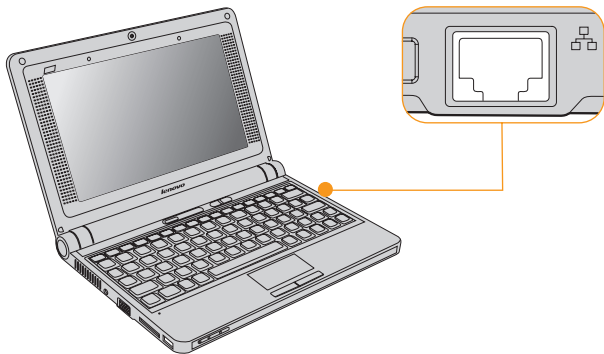
With the built-in camera, you can take photos or movies and use with various applications, such as MSN, Yahoo! Messenger, Windows Live Messenger, or Windows Movie Maker.

Using the Internet

Your computer comes with LAN port for high-speed DSL connection and local area network (LAN), wireless LAN for wireless connection.

Using LAN port

The LAN port supports a standard RJ-45 connector, and allows you to connect the computer to a high-speed DSL connection and local area network (LAN).



CAUTION

As the voltage of a telephone connection is higher than that of a network, do not attempt to connect a telephone cable to the LAN port or else a short circuit of the computer might occur.

Using wireless LAN

An isotropic antenna system is built into the display for optimal reception, enabling wireless communication wherever you are.

To enable wireless communications, do the following:

1. Press the Wireless device switch.
2. Press **Fn + F5**.
3. Press **Fn + F5**, then enable the wireless LAN card in the wireless setting menu.

Securing your computer

This section provides information about how to help protect your computer from theft and unauthorized use.

Attaching a security lock (optional)

You can attach a security lock to your computer to help prevent it from being removed without your permission.

Attach a security lock to the keyhole of the computer; then secure the chain on the lock to a stationary object. Refer to the instructions shipped with the security lock.

See “Right-side view” on page 4 for the location of the security keyhole.

Note:

You are responsible for evaluating, selecting, and implementing the locking devices and security features. Lenovo makes no comments, judgements, or warranties about the function, quality, or performance of locking devices and security features.

Using passwords

Using passwords helps prevent your computer from being used by others. Once you set a password and enable it, a prompt appears on the screen each time you power on the computer. Enter your password at the prompt. The computer cannot be used unless you enter the correct password.

Make sure that only authorized individuals access your computer. Establishing different kinds of passwords requires that other possible users know the proper passwords in order to access your computer or your data.

As many as three passwords might be needed for your computer: the Supervisor password, the User password, and the Hard disk drive (HDD) password. When the Supervisor password is set, only the Supervisor password entitles you full control of the computer.

- Supervisor password

With a Supervisor password, you can get full control of the computer. It also can be used as a power-on password if **Password on boot** is set to **Enabled**. Also, when you enter the BIOS Setup Utility with a Supervisor password, you are entitled to set all of the options.

- User password

If a User password is set and **Password on boot** is set to **Enabled**, a password prompt appears when you turn on the computer. Unauthorized users cannot get access to configuration data. You can also use the User password to enter the BIOS Setup Utility, but only a part of the options can be set. User password can not be set if Supervisor password is not set.

- Hard disk drive (HDD) passwords

Once an HDD password is set, you need to enter it to get access to the hard disk. You can set the HDD password through Set Hard Disk Passwords in the BIOS Setup Utility.

Note:

If you set passwords through the BIOS Setup Utility and put your computer into standby mode by pressing **Fn + F1**, the following describes the behavior of the computer when you bring it out of standby mode:

- You are prompted to enter the Windows log-on password rather than the User password to resume operation.
- If an HDD password is assigned to any hard disk drive, the hard disk drive is unlocked automatically when you resume operation.

To set a Supervisor Password:

Only a system administrator is able to perform this procedure.

1. Turn on your computer. When the Lenovo logo and “Press <F2> to Setup” come up, immediately press **F2** to enter the BIOS Setup Utility .
2. Select **Security**, using the cursor directional keys.
3. Select **Set Supervisor Password**, and press **Enter**. The Set Supervisor Password window opens.
4. Choose your Supervisor password, which can be from one to eight alphanumeric characters in any combination. Type it in the **Enter New Password** field.
5. Press **Enter** once to move to the **Confirm New Password** field. Retype the password you just entered to verify it.
6. Commit your password to memory, and press **Enter**.
7. Press **F10** to exit.

8. Select **Yes** in the Setup Confirmation window.

Changing or Removing the Supervisor Password

To change the password, do the following:

1. Select **Set Supervisor Password**, and press **Enter**. The Set Supervisor Password window opens.
2. Select **Enter Current Password** and type in the correct password. Then press **Enter** once to move to **Enter New Password** field, type a new supervisor password in.
3. Press **Enter** once to move to the **Confirm New Password** field. Retype the password you just entered to verify it.
4. Commit your password to memory, and press **Enter**.

To remove password, do the following:

1. Select **Set Supervisor Password**, and press **Enter**.
2. Select **Enter Current Password** and type in the correct password, and press **Enter** thrice.

Note:

Make sure the **Password on boot** is set to **Enabled** if you need the password protection at power on.

To set a User Password:

1. Turn on your computer. When the Lenovo logo and “Press <F2> to Setup” come up, immediately press **F2** to enter the BIOS Setup Utility .
2. Select **Security**, using the cursor directional keys.
3. Select **Set User Password**, and press **Enter**. The Set User Password window opens.

4. Choose your user password, which can be from one to eight alphanumeric characters in any combination. Type it in the **Enter New Password** field.
5. Press **Enter** once to move to the **Confirm New Password** field. Retype the password you just entered to verify it.
6. Commit your password to memory, and press **Enter**.
7. Press **F10** to exit.
8. Select **Yes** in the Setup Confirmation window.

Note:

You can set the User Password only when the Supervisor Password has been set.

Changing or Removing the User Password

To change the password, do the following:

1. Select **Set User Password**, and press **Enter**. The Set User Password window opens.
2. Type correct password in the **Enter Current Password** field. Then press **Enter** once to move to the **Enter New Password** field, type a new user password in.
3. Press **Enter** once to move to the **Confirm New Password** field. Retype the password you just entered to verify it.
4. Commit your password to memory, and press **Enter**.

To remove the password, do the following:

1. Select **Set User Password**, and press **Enter**.
2. Type correct user password in **Enter Current Password**, and press **Enter** twice.

Note:

Make sure the **Password on boot** is set to **Enabled** if you need the password protection at power on.

To set a Hard Disk Password:

Note:

The SSD model does not support the hard disk passwords.

Two types of the hard disk passwords help protect the information stored on the hard disk:

- Hard disk master password
- Hard disk user password, which requires a hard disk master password

You need to set a master password and a user password both as the Hard Disk Password. Either of the passwords can be used to get access to the Hard disk. Any change or removal to the master password deletes the user password.

1. Turn on your computer. Press **F2**, while the initial screen is displayed. The BIOS Setup Utility screen opens.
2. Select **Security**, using the cursor directional keys.
3. Select **Set Hard Disk Passwords**, and press **Enter**. The Set Hard Disk Passwords window opens.
4. Select **Change Master Password**, and press **Enter**. The Change Master Password window opens.
5. Choose an HDD master password, which can be from one to eight alphanumeric characters in any combination. Type it in the **Enter New Password** field.
6. Press **Enter** once to move to the **Confirm New Password** field. Retype the password you just entered to verify it.
7. Choose an HDD user password, which can be from one to eight alphanumeric characters in any combination. Type it in the **Enter New Password** field.

8. Press **Enter** once to move to the **Confirm New Password** field. Retype the password you just entered to verify it.
9. Commit any password to memory, and press **Enter**.
10. Press **F10** to exit.
11. Select **Yes** in the Setup Confirmation window.

The next time you turn on your computer, you will have to enter the HDD user or master password to get access to your operating system.

Changing or Removing the Hard Disk Password

To change the HDD master password, do the following:

1. Select **Change Master Password**, and press **Enter**. The Change Master Password window opens.
2. Type correct password in the **Enter Current Password** field. Then press **Enter** once to move to the **Enter New Password** field, type a new master password in.
3. Press **Enter** once to move to the **Confirm New Password** field. Retype the password you just entered to verify it.
4. Commit your password to memory, and press **Enter**.

To change the HDD user password, do the following:

1. Select **Change User Password**, and press **Enter**. The Change User Password window opens.
2. Type correct password in the **Enter Current Password** field. Then press **Enter** once to move to the **Enter New Password** field, type a new user password in.
3. Press **Enter** once to move to the **Confirm New Password** field. Retype the password you just entered to verify it.

4. Commit your password to memory, and press **Enter**.

To remove the password, do the following:

1. Select **Change Master Password**, and press **Enter**.
2. Type correct master password in **Enter Current Password**, and press **Enter** twice. Both HDD user and master passwords will be removed.

Installing device drivers

A compatible device driver is a requirement to ensure correct operation and performance of each component in your computer.

For the hard disk drive (HDD) model, Lenovo provides all drivers that you need in the C:\SWTOOLS\APPS directory.

To get the latest drivers, you can use System Update.

For the solid state drive (SSD) model, you can also reinstall drivers using System Update.

- **System Update**

System Update is a program provided by Lenovo that enables you to search, download, and install the latest device drivers and other updates for your computer. By default, the updated files are made available from a Lenovo Web server. Therefore, Internet access is required.

System Update compares the versions of the device drivers currently installed on your computer to those device drivers available on the server. Applicable updates

for your computer are then made available to you. Additionally, you can set up a schedule to automatically download and install updates.

Note:

The System Update program uses Internet Explorer settings to connect to the Web site for downloading software. Make sure that the computer can gain access to the Internet with Internet Explorer. System Update downloads software from the Lenovo Web site regardless of whether a proxy has been specified. If a proxy has been specified, System Update downloads the software, as specified in the settings of Internet Explorer. Otherwise, System Update downloads the software directly from the Lenovo Web site.

You can launch the System Update program by clicking **Start -> All Programs -> ThinkVantage® -> System Update**.

The welcome screen opens.

Note:
Most installations require a reboot to update the driver, otherwise the system's stability and audio or video effect may be compromised, or you even have to reinstall the operating system.

Using battery and AC adapter

When you need to use your computer away from electrical outlets, you depend on battery power to keep your computer running. Different computer components consume power at different rates. The more you use the power-intensive components, the faster you consume battery power.

Your computer batteries

Your computer batteries enable you to do more, save more, and spend more time unplugged. Mobility has revolutionized business by enabling you to take your work wherever you go. With your computer batteries, you will be able to work longer without being tied to an electrical outlet.

Note:

The operating system may run slower when using the battery mode.



DANGER

Use only the original battery or a battery supplied by Lenovo. The use of any other battery gives rise to a risk of fire. Dispose of used batteries in accordance with the instructions.

Checking battery status

You can determine the percentage of battery power remaining by using Windows Power options.

The rate at which you use battery power determines how long you can use the battery of your computer between charges. As each computer user has different habits and needs, it is difficult to predict how long a battery charge will last. There are two main factors:

- The amount of energy stored in the battery when you begin to work.
- The way you use your computer: for example, how often you access the hard disk drive and how bright you make the computer display.

Using the AC adapter

The power to run your computer can come either from the lithium-ion (Li-ion) battery pack provided with it, or from AC power through the AC adapter. While you use AC power, the battery charges automatically.

The AC adapter that comes with your computer has two basic components:

1. The transformer pack that converts AC power for use with the computer.
2. The power cord that plugs into the AC outlet and into the transformer pack.



CAUTION

Using an improper power cord could cause severe damage to your computer.

To use the AC adapter, do the following. Be sure to take these steps in the order in which they are given here.

1. Connect the AC adapter to the AC power adapter jack of the computer.
2. Connect the power cord to the transformer pack.
3. Plug the power cord into an electrical outlet.

You can check the status of your battery at any time by looking at the battery meter at the bottom of your display.

Note:

- When you do not use the AC adapter, disconnect it from the electrical outlet.

- Do not wrap the power cord tightly around the AC power transformer pack when it is connected to the transformer.
- You can charge the battery when the AC adapter is connected to the computer and the battery is installed. You need to charge it in any of the following conditions:
 - When you purchase a new battery
 - If the battery status indicator (amber) starts blinking
 - If the battery has not been used for a long time

Before you charge the battery, make sure that its temperature is at least 10 degrees Celsius (50 degrees Fahrenheit).

Charging the battery

When you check the battery status and find that the battery is low, you need to charge the battery or replace it with a charged battery.

If an AC outlet is convenient, first, connect the power cord to the transformer pack; second, plug the power cord into an electrical outlet; and then connect the AC adapter to the power jack of the computer.

Note:
To increase the life of the battery, the computer does not start recharging the battery if the remaining power is no less than 95 percent.

Handling the battery



DANGER

Do not attempt to disassemble or modify the battery pack.

Attempting to do so can cause an explosion, or liquid leakage from the battery pack.

A battery pack other than the one specified by Lenovo, or a disassembled or modified battery pack is not covered by the warranty.



DANGER

If the rechargeable battery pack is incorrectly replaced, there is danger of an explosion. The battery pack contains a small amount of harmful substances. To avoid possible injury:

- Replace only with a battery of the type recommended by Lenovo.
- Keep the battery pack away from fire.
- Do not expose it to excessive heat.
- Do not expose it to water or rain.
- Do not short-circuit it.
- Store it in a cool dry place.
- Keep it away from children.

The battery pack is a consumable supply.

If your battery begins to discharge too quickly, replace the battery pack with a new one of the type recommended by Lenovo. For more information on replacing the battery pack, contact your Customer Support Center.



DANGER

Do not drop, crush, puncture, or subject to strong forces. Battery abuse or mishandling can cause the battery to overheat, which can cause gasses or flame to "vent" from the battery pack or coin cell. If your battery is damaged, or if you notice any discharge from your battery or the buildup of foreign materials on the battery leads, stop using the battery and obtain a replacement from the battery manufacturer.



DANGER

Only recharge the battery pack strictly according to instructions included in the product documentation.



DANGER

Do not put the battery pack in trash that is disposed of in landfills. When disposing of the battery, comply with local ordinances or regulations and your company's safety standards.



DANGER

There is a danger of an explosion if the backup battery is incorrectly placed. The lithium battery contains lithium and can explode if it is not properly handled, or disposed of. Replace only with a battery of the same type. To avoid possible injury or death, Do not : (1) throw or immerse into water, (2) allow it to heat to more than 100°C (212°F), or (3) attempt to repair or disassemble it. Dispose of it as required by local ordinances or regulations and your company's safety standards.

Using Lenovo Quick Start

Note:

The SSD model does not support Lenovo Quick Start.

Use Lenovo Quick Start to start your favorite Internet applications seconds after turning on your Lenovo computer. If Lenovo Quick Start is enabled, it starts before the Windows operating system is loaded. From the initial screen of the Lenovo Quick Start you can access the following applications:

- World Wide Web
- Music Player
- Photo Manager
- Chat instant messaging
- Skype

For more information about the application, see the Help in Lenovo Quick Start system.

Changing the settings in Lenovo Quick Start

You can change the Boot up and Countdown timer settings of the Lenovo Quick Start program. Do either of the following:

1. In the BIOS, click **Configuration** -> **Lenovo Quick Start features**.
2. In the Windows operating system, click **Start** -> **All Programs** -> **Lenovo Quick Start** -> **Windows configuration tool**.

Using the Novo button with Lenovo Quick Start

If Lenovo Quick Start is enabled and you press the Novo button while your computer is in a power-off state, the Windows operating system, instead of Lenovo Quick Start, will start at the next boot-up.

However, this action will not change or disable the settings of Lenovo Quick Start. Next time you press the power button to start your computer, the boot-up sequence will follow the settings for Lenovo Quick Start. If Lenovo Quick Start is enabled, it will start.

If you press the Novo button while the initial screen of Lenovo Quick Start is displayed, Lenovo Quick Start will close, and the Windows operating system will start up instead.

Chapter 3. Using external devices

Your computer has many built-in features and connection capabilities.

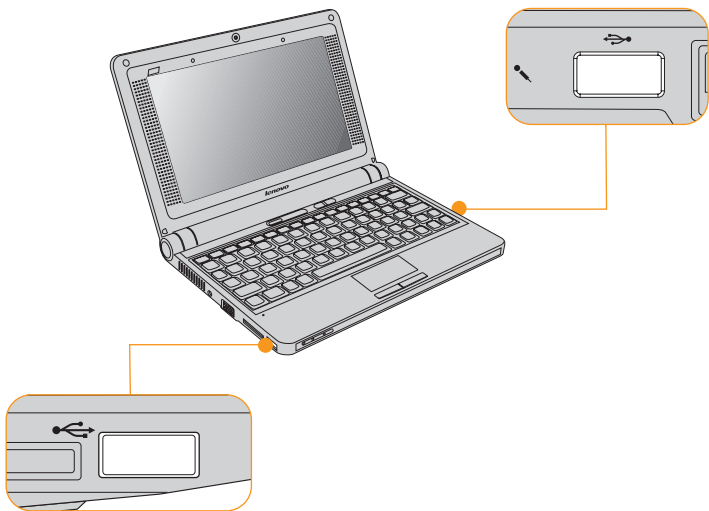


CAUTION

Do not connect or disconnect any external device cables other than USB and 1394 cables while the computer power is on; otherwise, you might damage your computer. To avoid possible damage to attached devices, wait at least five seconds after the computer is shut down to disconnect external devices.

Connecting a Universal Serial Bus (USB) device

Your computer comes with two Universal Serial Bus compatible with USB 2.0 or USB 1.1 devices such as a keyboard, mouse, camera, hard disk drive, printer, and scanner. USB allows devices to be connected and disconnected without rebooting the computer (hot swapping), and allows specific classes of hardware to be used without requiring individual device drivers to be installed.



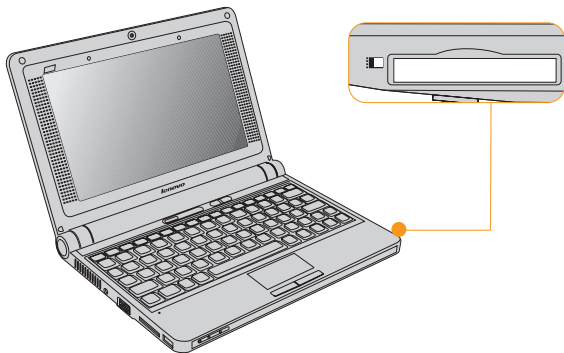


CAUTION

When using high power consumption USB device such as USB ODD, use external device power adapter. Otherwise, it will cause the device unable to be recognized and used, or system shut down.

Connecting a PC card device

Your computer comes with PCI Express card slot used for connecting PC card devices that are compatible with the PCI Express card interface.

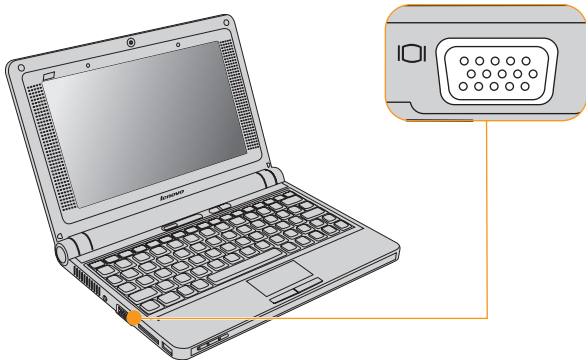


Connecting an external display

You can connect an external display to your computer, such as a VGA monitor.

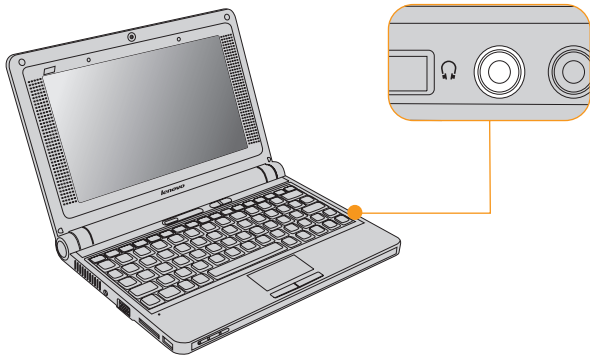
Connecting a VGA monitor

You can connect a VGA monitor by using a VGA port. To connect a VGA monitor, plug the display cable to VGA port on your computer. To shift to other connected display devices, press **Fn + F3**.



Connecting a headphone and audio device

Your computer comes with one headphone jack used for connecting headphones, speakers, and audio devices.



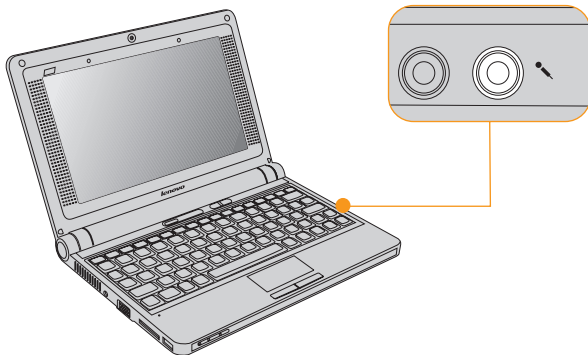
WARNING

Listening to music at high volume over extended periods of time may damage your hearing.

Excessive use of headphones or earphones for a long period of time at high volume can be dangerous if the output of the headphones or earphone connectors do not comply with specifications of EN 50332-2. The headphone output connector of your computer complies with EN 50332-2 Sub clause 7. This specification limits the computer's maximum wide band true RMS output voltage to 150 mV. To help protect against hearing loss, ensure that the headphones or earphones you use also comply with EN 50332-2 (Clause 7 limits) for a wide band characteristic voltage of 75 mV. Using headphones that do not comply with EN 50332-2 can be dangerous due to excessive sound pressure levels.

Connecting an external microphone

Your computer comes with one external microphone jack used for connecting external microphone.



Connecting a Bluetooth device

Your computer can connect to and transfer data wirelessly to *Bluetooth* devices, such as computers, PDAs, and cell phones.

Enabling Bluetooth communications

1. Press the Wireless device switch to tune on the device.
2. Press **Fn + F5**, then enable the *Bluetooth* in the wireless setting menu.

Note:

When you do not need to use the *Bluetooth* function, turn it off to save battery power. For details on connecting a *Bluetooth* device, please refer to *Bluetooth* device's manual.

Chapter 4. Troubleshooting

Frequently asked questions

This section lists frequently asked questions and tells where you can find detailed answers.

What safety precautions should I follow when using my Lenovo computer?

See Chapter 7, “Safety, use, and care information,” on page 83 for detailed information about safety.

How can I prevent problems with my Lenovo computer?

See Chapter 7, “Safety, use, and care information,” on page 83 of this guide. More tips can be found in Chapter 1, “Getting to know your computer,” on page 1 and Chapter 2, “Using your computer,” on page 9.

What are the main hardware features of my new Lenovo computer?

More information can be found in Chapter 1, “Getting to know your computer,” on page 1 and Chapter 2, “Using your computer,” on page 9.

This guide contains information for Windows. How can I find information for Linux?

For general information about Linux, go to Linux Help.

- Click Computer --> Help.
- For an answer to your question, use Search.

If you are setting a network connection, obtain the necessary information from your network administrator.

Where can I find the detailed specifications for my Lenovo computer?

See <http://www.lenovo.com/support>.

I need to upgrade a device or I need to replace one of the following: the HDD, the memory, or the keyboard.

See Appendix B, “Customer Replaceable Units (CRUs),” on page 133 of this guide.

My computer is not operating properly.

Study the relevant information Chapter 2, “Using your computer,” on page 9.

Where are the recovery discs?

Your computer may have come with or without a recovery disc. If your computer comes without a recovery disc, it may have Product Recovery Program installed in a hidden partition of your hard disk drive. Use Product Recovery Program to restore the entire contents of your hard disk to the original factory state.

How can I contact the Customer Support Center?

See “Getting help and service” on page 77 of this Guide. For the phone numbers of the Customer Support Center nearest to you, see “Worldwide telephone list” on page 81.

Where can I find warranty information?

For the warranty applicable to your computer, including the warranty period and type of warranty service, see Appendix A, “Warranty information,” on page 119.

Diagnosing problems

If you have a problem with your computer, you can test it by using PC-Doctor® for Windows.

To run PC-Doctor for Windows, do as follows:

1. Click **Start**.
2. Move the pointer to **All Programs** and then to **PC-Doctor for Windows**.
3. Click **PC-Doctor for Windows**.

For more information about PC-Doctor for Windows, see the Help for the program.

Attention:

- If you need help or further information about the problem, choose any of the following:
 - Lenovo Troubleshooting Center
 - Updates and Support
 - System Reports
- Running any tests may take up to several minutes or longer. Make sure you have time to run the entire test; do not interrupt the test while it is running.

When preparing to contact the Customer Support Center, be sure to print the test log so that you can rapidly provide information to the help technician.

Diagnosing problems using PC-Doctor for DOS

The PC-Doctor for DOS diagnostic program runs independently of the Windows operating system. Use PC-Doctor for DOS, if you are unable to start the Windows operating system or if PC-Doctor for Windows has not been successful in isolating a possible problem. You can run PC-Doctor for DOS from a diagnostic CD/DVD image.

Creating a diagnostic CD/DVD image

To create a diagnostic CD/DVD image, download a self-starting bootable CD/DVD image (known as an .iso image) of the diagnostic program from <http://www.lenovo.com/support>. After you download the image, you can create the CD/DVD using any CD/DVD burning software.

Running diagnostics from the CD/DVD

To run diagnostics from the diagnostic CD/DVD image that you created, use the following procedure:

1. Make sure your computer is turned off.
2. Insert the CD/DVD into the optical drive.
3. Restart the computer.

Note:

If the diagnostic program does not start, the optical drive has not been set as a bootable device. Press **F12** to choose boot item at startup.

4. When the diagnostics program opens, follow the instructions on the screen.
5. Select the diagnostic test you want to run. Press **F1** for additional help.
6. When the program finishes, remove the CD/DVD from the drive.

Troubleshooting

Display problems

Problem: When I turn on the machine, nothing appears on the screen.

Solution:

1. Make sure that:
 - The battery is installed correctly.
 - The AC adapter is connected to the computer and the power cord is plugged into a working electrical outlet.
 - The computer is turned on. (Turn the power button on again for confirmation.)
2. If a user password is set:
 - a. Press any key to display the prompt for the user password. If the brightness level of the screen is low, increase it by pressing the Fn + ↑.
 - b. Type the correct password and press **Enter**.
3. If these items are set properly, and the screen remains blank, have the computer serviced.

Problem: When I turn on the computer, only a white cursor appears on a blank screen.

Solution: Restore the entire contents of your hard disk to the original factory contents using Product Recovery Program. If you still see only the cursor on the screen, have the computer serviced.

Problem: The screen goes blank while the computer is on.

Solution: Your screen saver or power management may be enabled.

Do either of the following:

- Move the touch pad or press a key to exit the screen saver.
- Press the power button to resume from standby or hibernation.

Password problems

Problem: You forgot your password.

Solution:

- If you forget your user password, you must take your computer to a Lenovo authorized servicer or a marketing representative to have that password canceled.
- If you forget your supervisor password, a Lenovo authorized servicer cannot reset your password. You must take your computer to a Lenovo authorized servicer or a marketing representative to have the system board replaced. Proof of purchase is required, and a fee will be charged for parts and service.
- If you forget your hard disk password, a Lenovo authorized servicer cannot reset your password or recover data from the HDD. You must take your computer to a Lenovo authorized servicer or a marketing representative to have the HDD replaced. Proof of purchase is required, and a fee will be charged for parts and service.

Keyboard problems

Problem: A number appears when you type a letter.

Solution: The numeric lock function is on. To disable it, press **Fn + F7/NmLK**.

Problem: All or some keys on the numeric keypad do not work.

Solution: Make sure that the numeric keypad is correctly connected to the computer.

Standby or hibernation problems

Problem: The computer enters standby mode (the standby indicator turns on) immediately after Power-on self-test (POST).

Solution:

1. Make sure that:
 - The battery is charged.
 - The operating temperature is within the acceptable range. See “Specifications” on page 137.
2. If these items are correct, have the computer serviced.

Problem: The critical low-battery error message is displayed, and the computer immediately turns off.

Solution: The battery power is getting low.

Do either of the following:

- Connect the AC adapter to the computer and plug it into an electrical outlet.
- Replace the battery with a fully charged one.

Problem: While operating with the battery, the computer does not return from standby mode, or the standby indicator stays on and the computer does not work.

Solution: The system may have entered standby or hibernation mode automatically because the battery is depleted.

1. Connect the AC adapter to the computer.
2. If the standby indicator is on, press any key. If the standby indicator is off, press the power button to resume operation.
3. If you press Fn or the power button, and the system does not return from standby or hibernation mode, the computer stops responding and cannot be turned off:
 - a. Turn off the computer by pressing and holding the power button for 4 seconds or more. Unsaved data may be lost.
 - b. If the computer still does not respond, remove and reinstall the AC adapter and the battery.

Problem: The computer enters standby mode unexpectedly.

Solution:

1. Make sure that no object blocks the air vents of the computer.

When the processor overheats, the computer automatically enters standby mode to cool down and to protect the processor and other internal components.

- a. Allow the computer to cool.
 - b. Press Fn to return from standby mode.
2. If the computer still enters standby mode unexpectedly, the internal fan or other parts may have failed. Have the computer serviced.

Computer screen problems

Problem: Incorrect characters appear on the screen.

Solution:

1. Make sure that the operating system and the application program are installed correctly.
2. If they are installed and configured correctly, have the computer serviced.

Problem: Missing, discolored, or bright dots appear on the screen every time I turn on my computer.

Solution: This is an intrinsic characteristic of the TFT technology. Your computer's display contains multiple thin-film transistors (TFTs). A small number of missing, discolored, or bright dots on the screen might exist all the time.

Problem: The screen is blank.

Solution: Do the following:

- If you are using the AC adapter, or using the battery, and the battery status indicator is on (is blue), press **Fn + ↑** to make the screen brighter.
- If the power indicator is in blinking blue, press any key or the power button to resume from the standby mode.
- If you still have the problem, do the Solution in the following problem "The screen is unreadable or distorted."

Problem: The screen is unreadable or distorted.

Solution: Make sure that:

- The screen resolution and color quality are correctly set.
- The display device driver is installed correctly.
- The monitor type is correct.

To check these settings, do as follows:

1. Right-click on the desktop, click **Properties** to open the Display Properties window, then click the **Settings** tab.
2. Check whether the screen resolution and color quality are correctly set.
3. Click **Advanced**.
4. Click the **Adapter** tab.
5. Make sure that the correct device driver name is shown in the adapter information window.

Note:

The device driver name depends on the video chip that has been installed on your computer.

6. Click the **Properties** button. Check the "Device status" box and make sure that the device is working properly. If not, click the **Troubleshoot** button.
7. Click the **Monitor** tab.
8. Make sure that the information is correct.
9. Click the **Properties** button. Check the "Device status" box and make sure that the device is working properly. If not, click the **Troubleshoot** button.

Problem: A message, “Unable to create overlay window,” appears when I try to start DVD playback.

-or-

I get poor or no playback while running video playback, DVD playback, or game applications.

Solution: Do either of the following:

- If you are using 32-bit color mode, change the color depth to 16-bit mode.
- If you are using an external display device with a desktop size of 1024 × 576 or larger, reduce the refresh rate or color depth.

Sound problems

Problem: No sound can be heard from the speaker even when the volume is turned up.

Solution: Make sure that:

- The Mute function is off.
- The headphone jack is not used.
- Speakers is selected as a playback device.

Battery problems

Problem: The battery pack cannot be fully charged by the power-off method in the standard charge time for your computer.

Solution: The battery pack might be over-discharged. Do the following:

1. Turn off the computer.
2. Make sure that the over-discharged battery pack is in the computer.
3. Connect the AC adapter to the computer and let it charge.

If the battery pack cannot be fully charged in 24 hours, use a new battery pack.

Problem: The battery pack cannot be charged.

Solution: You cannot charge the battery when it is too hot. If the battery feels hot, remove it from the computer and allow it to cool to room temperature. After it cools, reinstall it and recharge the battery. If it still cannot be charged, have it serviced.

Problem: The computer does not operate with a fully charged battery.

Solution: The surge protector in the battery might be active. Turn off the computer for one minute to reset the protector; then turn on the computer again.

Problem: The computer shuts down before the battery status indicator shows empty.

-or-

The computer operates after the battery status indicator shows empty.

Solution: Discharge and recharge the battery.

Problem: The operating time for a fully charged battery is short.

Solution: Discharge and recharge the battery pack. If your battery's operating time is still short, use a new battery pack.

A hard disk drive problem

Problem: The hard disk drive does not work.

Solution: In the Boot menu in BIOS Setup Utility, make sure that the hard disk drive is included in the Boot Order correctly.

A startup problem

Problem: The Microsoft® Windows operating system does not start.

Solution: Use the recovery program stored in the HDD or recovery discs to help solve or identify your problem.

To use the recovery discs:

1. Insert boot CD.
2. Boot from it (press F12 to choose boot item), then the recovery wizard starts.
3. Follow the instructions on the screen.
4. If you are asked to insert Product Recovery Disc, select **OK** and insert the product recovery disc.

Other problems

Problem: Your computer does not respond.

Solution:

- To turn off your computer, press and hold the power button for 4 seconds or more. If the computer still does not respond, remove the AC adapter and the battery.
- Your computer might lock when it enters standby mode during a communication operation. Disable the standby timer when you are working on the network.

Problem: The computer does not start from a device you want.

Solution: See the Boot menu of the BIOS Setup Utility. Make sure that the startup sequence in the BIOS Setup Utility is set so that the computer starts from the device you want. Also make sure that the device from which the computer starts is enabled. In the Boot menu in the BIOS Setup Utility, make sure that the device is included in the “Boot Order” list.

Chapter 5. Upgrading and replacing devices

Replacing the battery

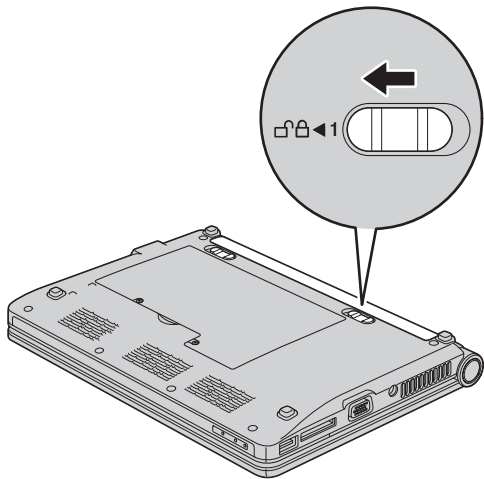
Important:

See Chapter 7, “Safety, use, and care information,” on page 83 before replacing the battery.

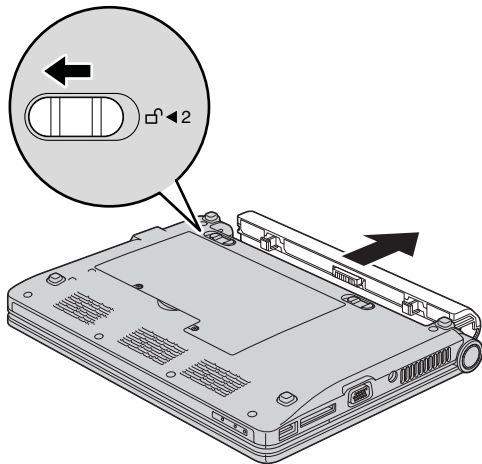
To replace the battery

1. **Turn off the computer, or enter hibernation mode.** Then disconnect the AC adapter and all cables from the computer.
2. Close the computer display, and turn the computer over.

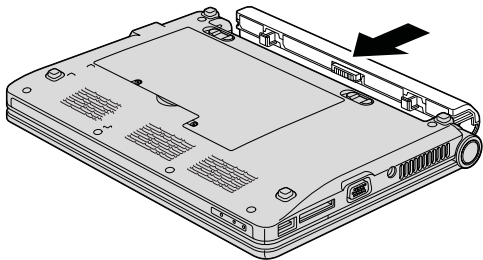
3. Slide the battery latch to the unlocked position.



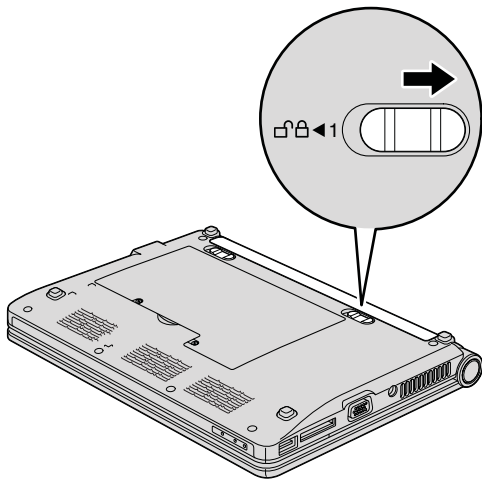
- Slide and hold the battery latch. Then, remove the battery.



5. Install a fully charged battery into the computer.



6. Slide the battery latch to the locked position.



7. Turn the computer over again. Connect the AC adapter and the cables to the computer.

Upgrading the hard disk drive

Important:

See Chapter 7, “Safety, use, and care information,” on page 83 before replacing the hard disk drive.

You can replace the hard disk drive (HDD) with a new one by following the procedure below. You can purchase a new HDD from your reseller or Lenovo marketing representative.

Note:

Replace the HDD only if you are upgrading it or having it repaired. The connectors and slot of these drives were not designed for frequent changes, or drive swapping.

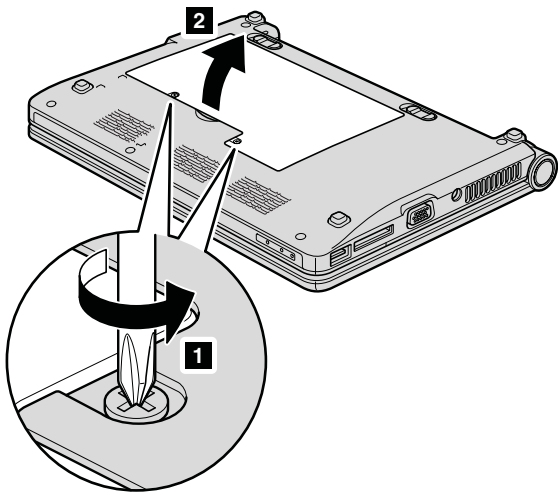
Attention:**Handling an HDD**

- Do not drop the drive or subject it to physical shocks. Place the drive on a soft material, such as cloth, which absorbs physical shock.
- Do not apply pressure to the cover of the drive.
- Do not touch the connector.

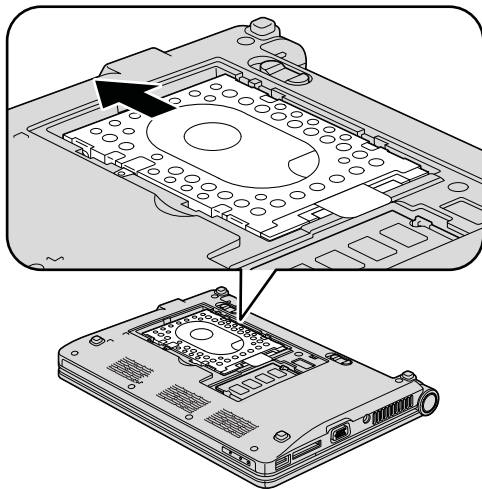
The drive is very sensitive. Incorrect handling can cause damage and permanent loss of data on the drive. Before removing the HDD, make a backup copy of all the data on the drive, and turn the computer off. Never remove the drive while the system is operating, in standby mode, or in hibernation mode.

To replace the HDD

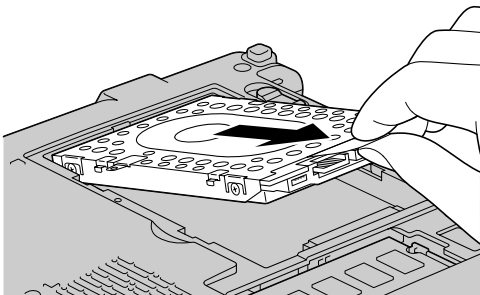
1. **Turn off the computer**; then disconnect the AC adapter and all cables from the computer.
2. Close the computer display, and turn the computer over.
3. Remove the battery.
4. Loosen the screws **1** that hold the cover in place; then remove the cover **2**.



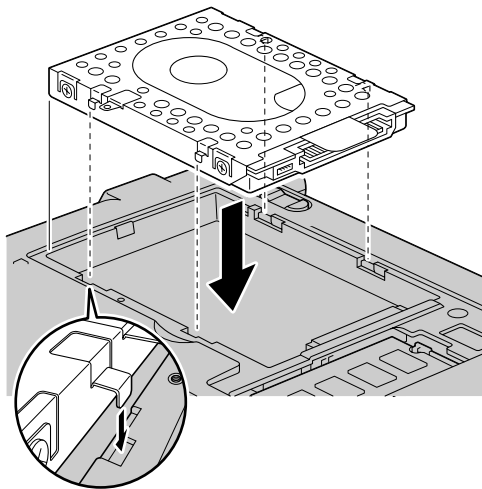
5. Slide the HDD in the direction of the arrow.



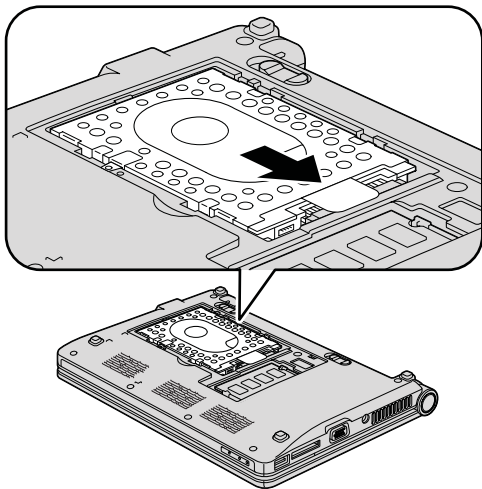
6. Remove the HDD by pulling out the tab.



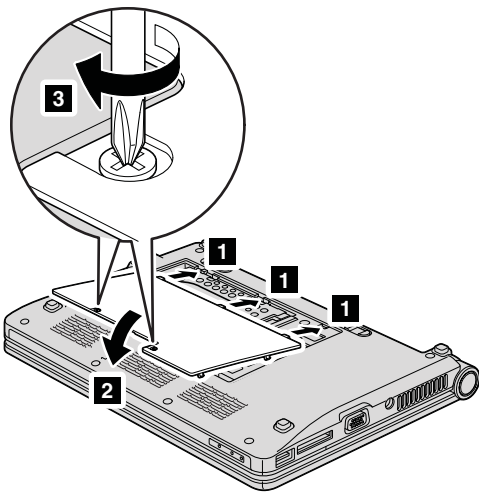
7. Align the HDD as shown in the drawing, then put it gently in place.



8. Slide the HDD in the direction of the arrow.



9. Reinstall the cover by aligning the side of the cover first **1**, and closing the cover **2**. Then tighten the screws to secure the cover **3**.



10. Reinstall the battery.
11. Turn the computer over again. Connect the AC adapter and the cables to the computer.

Replacing memory

Important:

See Chapter 7, “Safety, use, and care information,” on page 83 before replacing memory.

Increasing memory capacity is an effective way to make programs run faster. You can increase the amount of memory in your computer by installing a double data rate two (DDR2) synchronous dynamic random access memory (DRAM) unbuffered small outline dual inline memory module (SO-DIMM), available as an option, in the memory slot of your computer. SO-DIMMs with different capacities are available.

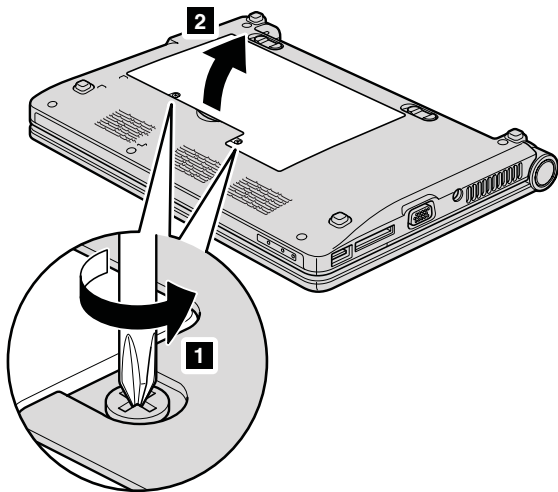
Note:

Use only the memory types supported by your computer.

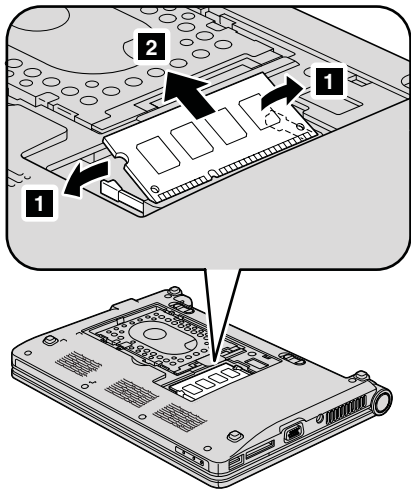
To install an SO-DIMM

1. Touch a metal table or a grounded metal object. This action reduces any static electricity in your body, which could damage the SO-DIMM. Do not touch the contact edge of the SO-DIMM.
2. **Turn off the computer**; then disconnect the AC adapter and all cables from the computer.
3. Close the computer display, and turn the computer over.
4. Remove the battery.

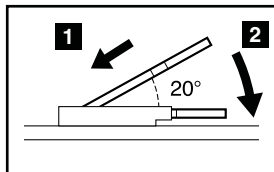
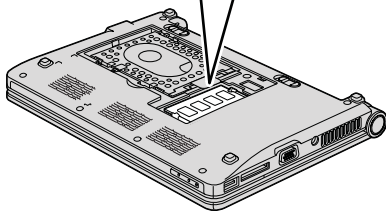
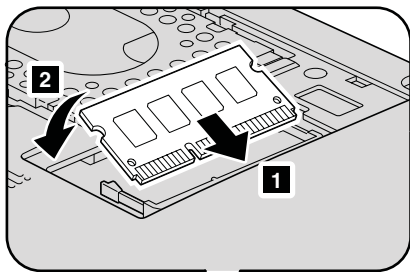
5. Loosen the screws **1** that hold the cover in place; then remove the cover **2**.



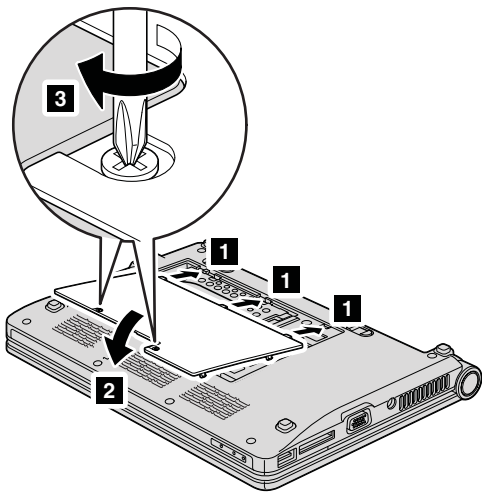
6. If an SO-DIMM is already installed in the memory slot, remove it to make room for the new one by pressing out on the latches **1** on both edges of the socket at the same time, and pulling out the SO-DIMM **2**. Be sure to save the old SO-DIMM for future use.



7. With the notched end of the SO-DIMM toward the contact edge side of the socket, firmly insert the SO-DIMM into the socket at an angle of about 20 degrees **1**; then pivot it downward until it snaps into place **2**.



8. Reinstall the cover by aligning the side of the cover first **1**, and closing the cover **2**. Then tighten the screws to secure the cover **3**.



9. Reinstall the battery.
10. Turn the computer over, and reconnect the AC adapter and the cables to the computer.

To make sure that the SO-DIMM is installed correctly, do as follows:

1. Turn on the computer.

2. When the Lenovo logo and “Press <F2> to Setup” come up, immediately press **F2** to enter the BIOS Setup Utility .
3. The “Installed memory” item shows the total amount of memory installed in your computer.

Chapter 6. Getting help and service

Getting help and service

If you need help, service, technical assistance, or just want more information about Lenovo computers, you will find a wide variety of sources available from Lenovo to assist you. This section contains information about where to go for additional information about Lenovo computers, what to do if you experience a problem with your computer, and whom to call for service should it be necessary.

Microsoft Service Packs are the latest software source for Windows product updates. They are available via Web download (connection charges may apply) or via a disc. For more specific information and links, please go to the Microsoft Web site at <http://www.microsoft.com>. Lenovo offers Up and Running technical assistance with installation of, or questions related to, Service Packs for your Lenovo-preinstalled Microsoft Windows product. For information, please contact the Customer Support Center at the phone number(s) listed in “Worldwide telephone list” on page 81. Some fees might apply.

Getting help on the Web

The Lenovo Web site on the World Wide Web has up-to-date information about Lenovo computers and support. The address for the Personal Computing home page is <http://www.lenovo.com/support>.

You can find support information for your Lenovo computer at <http://www.lenovo.com/support>. Research this Web site to learn how to solve problems, find new ways to use your computer, and learn about options that can make working with your Lenovo computer even easier.

Calling the Customer Support Center

If you have tried to correct the problem yourself and still need help, during the warranty period, you can get help and information by telephone through the Customer Support Center. The following services are available during the warranty period:

- Problem determination - Trained personnel are available to assist you with determining if you have a hardware problem and deciding what action is necessary to fix the problem.
- Lenovo hardware repair - If the problem is determined to be caused by Lenovo hardware under warranty, trained service personnel are available to provide the applicable level of service.
- Engineering change management - Occasionally, there might be changes that are required after a product has been sold. Lenovo or your reseller, if authorized by Lenovo, will make selected Engineering Changes (ECs) available that apply to your hardware.

The following items are not covered:

- Replacement or use of parts not manufactured for or by Lenovo or nonwarranted parts

Note:

All warranted parts contain a 7-character identification in the format FRU
XXXXXXX

- Identification of software problem sources
- Configuration of BIOS as part of an installation or upgrade
- Changes, modifications, or upgrades to device drivers
- Installation and maintenance of network operating systems (NOS)
- Installation and maintenance of application programs

To determine if your machine is in warranty and when the warranty expires, go to Lenovo, and click **Warranty**, then follow the instructions on the screen.

For the terms and conditions of the Lenovo Limited Warranty that applies to your Lenovo hardware product, see Appendix A, “Warranty information,” on page 119.

If possible, be near your computer when you make your call in case the technical assistance representative needs to help you resolve a computer problem. Please ensure that you have downloaded the most current drivers and system updates, run diagnostics, and recorded information before you call. When calling for technical assistance, please have the following information available:

- Machine Type and Model
- Serial numbers of your computer, monitor, and other components, or your proof of purchase
- Description of the problem
- Exact wording of any error messages
- Hardware and software configuration information for your system

The telephone numbers for your Customer Support Center location are located in the “Worldwide telephone list” on page 81 section of this guide.

Note:

Telephone numbers are subject to change without notice. For the latest list of Customer Support Center telephone numbers and hours of operation, visit the Support Web site at <http://www.lenovo.com/support>. If the number for your country or region is not listed, contact your Lenovo reseller or Lenovo marketing representative.

Getting help around the world

If you travel with your computer or relocate it to a country where your Lenovo machine type is sold, your computer might be eligible for International Warranty Service, which automatically entitles you to obtain warranty service throughout the warranty period. Service will be performed by service providers authorized to perform warranty service.

Service methods and procedures vary by country, and some services might not be available in all countries. International Warranty Service is delivered through the method of service (such as depot, carry-in, or on-site service) that is provided in the servicing country. Service centers in certain countries might not be able to service all models of a particular machine type. In some countries, fees and restrictions might apply at the time of service.

To determine whether your computer is eligible for International Warranty Service and to view a list of the countries where service is available, go to <http://www.lenovo.com/support>, click **Warranty**, and follow the instructions on the screen.

Worldwide telephone list

Phone numbers are subject to change without notice. For the most current phone numbers, go to <http://www.lenovo.com/support/phone>.

Country or Region	Telephone Number
Argentina	0800-666-0011 (Spanish)
Bolivia	0800-10-0189 (Spanish)
Brazil	Sao Paulo region: (11) 3889-8986 Outside Sao Paulo region: 0800-701-4815 (Brazilian Portuguese)
Canada	1-800-565-3344 (English and French) In Toronto only call 416-383-3344
Chile	800-361-213 or 188-800-442-488 (Spanish)
China	400-810-8888 (Mandarin)
China (Hong Kong S.A.R.)	2516-3919 (Cantonese, English, and Mandarin)
China (Macau S.A.R.)	0800-689 (Cantonese, English, and Mandarin)
Colombia	1-800-912-3021 (Spanish)
Costa Rica	0-800-011-1029 (Spanish)
Dominican Republic	1-866-434-2080 (Spanish)
Ecuador	1-800-426911 (Spanish)
El Salvador	800-6264 (Spanish)

Country or Region	Telephone Number
Guatemala	1800-624-0051 (Spanish)
Honduras	Tegucigalpa: 232-4222 San Pedro Sula: 552-2234 (Spanish)
Mexico	001-866-434-2080 (Spanish)
Nicaragua	001-800-220-1830 (Spanish)
Panama	206-6047 001-866-434-2080 (Lenovo Customer Support Center- toll Free) (Spanish)
Peru	0-800-50-866 (Spanish)
Russia	7-495-662-7888 Toll free: 8-800-700-7888 (Russian)
Taiwan	0800-000-702 (Mandarin)
United States	1-800-426-7378 (English)
Uruguay	000-411-005-6649 (Spanish)
Venezuela	0-800-100-2011 (Spanish)

Chapter 7. Safety, use, and care information

Important safety information

Note:

Read important safety information first.

This information can help you safely use your notebook personal computer. Follow and retain all information included with your computer. The information in this document does not alter the terms of your purchase agreement or the Lenovo Limited Warranty. For more information, see Appendix A, “Warranty information,” on page 119.

Customer safety is important. Our products are developed to be safe and effective. However, personal computers are electronic devices. Power cords, power adapters, and other features can create potential safety risks that can result in physical injury or property damage, especially if misused. To reduce these risks, follow the instructions included with your product, observe all warnings on the product and in the operating instructions, and review the information included in this document carefully. By carefully following the information contained in this document and provided with your product, you can help protect yourself from hazards and create a safer computer work environment.

Note:

This information includes references to power adapters and batteries. In addition to notebook computers, some products (such as speakers and monitors) ship with external power adapters. If you have such a product, this information applies to your

product. In addition, computer products contain a coin-sized internal battery that provides power to the system clock even when the computer is unplugged, so the battery safety information applies to all computer products.

Conditions that require immediate action

Products can become damaged due to misuse or neglect. Some product damage is serious enough that the product should not be used again until it has been inspected and, if necessary, repaired by an authorized servicer.

As with any electronic device, pay close attention to the product when it is turned on. On very rare occasions, you might notice an odor or see a puff of smoke or sparks vent from your product. Or you might hear sounds like popping, cracking or hissing. These conditions might merely mean that an internal electronic component has failed in a safe and controlled manner. Or, they might indicate a potential safety issue. However, do not take risks or attempt to diagnose the situation yourself. Contact the Customer Support Center for further guidance. For a list of Service and Support phone numbers, see the following Web site:

<http://www.lenovo.com/support/phone>

Frequently inspect your computer and its components for damage or wear or signs of danger. If you have any question about the condition of a component, do not use the product. Contact the Customer Support Center or the product manufacturer for instructions on how to inspect the product and have it repaired, if necessary.

In the unlikely event that you notice any of the following conditions, or if you have any safety concerns with your product, stop using the product and unplug it from the power source and telecommunication lines until you can speak to the Customer Support Center for further guidance.

- Power cords, plugs, power adapters, extension cords, surge protectors, or power supplies that are cracked, broken, or damaged.
- Signs of overheating, smoke, sparks, or fire.
- Damage to a battery (such as cracks, dents, or creases), discharge from a battery, or a buildup of foreign substances on the battery.
- A cracking, hissing or popping sound, or strong odor that comes from the product.
- Signs that liquid has been spilled or an object has fallen onto the computer product, the power cord or power adapter.
- The computer product, power cord, or power adapter has been exposed to water.
- The product has been dropped or damaged in any way.
- The product does not operate normally when you follow the operating instructions.

Note:

If you notice these conditions with a product (such as an extension cord) that is not manufactured for or by Lenovo, stop using that product until you can contact the product manufacturer for further instructions, or until you get a suitable replacement.

Safety guidelines

Always observe the following precautions to reduce the risk of injury and property damage.

Service and upgrades



CAUTION

Do not attempt to service a product yourself unless instructed to do so by the Customer Support Center or your documentation. Only use a service provider who is approved to repair your particular product.

Note:

Some computer parts can be upgraded or replaced by the customer. Upgrades typically are referred to as options. Replacement parts approved for customer installation are referred to as Customer Replaceable Units, or CRUs. Lenovo provides documentation with instructions when it is appropriate for customers to install options or replace CRUs. You must closely follow all instructions when installing or replacing parts. The Off state of a power indicator does not necessarily mean that voltage levels inside a product are zero. Before you remove the covers from a product equipped with an AC power cord, always make sure that the power is turned off and that the product is unplugged from any power source. For more information on CRUs, see Appendix B, “Customer Replaceable Units (CRUs),” on page 133. If you have any questions or concerns, contact the Customer Support Center.

Although there are no moving parts in your computer after the power cord has been disconnected, the following warnings are required for your safety.



DANGER



Hazardous moving parts. Keep fingers and other body parts away.



CAUTION



Before replacing any CRUs, turn off the computer and wait three to five minutes to let the computer cool before opening the cover.

Power cords and power adapters



DANGER

Use only the power cords and power adapters supplied by the product manufacturer. The power cord and power adapter are intended for use with this product only. They should never be used with any other product.

The power cords shall be safety approved. For Germany, it shall be H05VV-F, 3G, 0.75 mm², or better. For other countries, the suitable types shall be used accordingly.

Never wrap a power cord around a power adapter or other object. Doing so can stress the cord in ways that can cause the cord to fray, crack, or crimp. This can present a safety hazard.



DANGER

Always route power cords or any other cables so that they will not be walked on, tripped over, or pinched by objects.

Protect power cords and power adapters from liquids. For instance, do not leave your power cord or power adapter near sinks, tubs, toilets, or on floors that are cleaned with liquid cleansers. Liquids can cause a short circuit, particularly if the power cord or power adapter has been stressed by misuse. Liquids also can cause gradual corrosion of power cord terminals and/or the connector terminals on a power adapter, which can eventually result in overheating.

Always connect power cords and signal cables in the correct order and ensure that all power cord connectors are securely and completely plugged into receptacles.

Do not use any power adapter that shows corrosion at the ac input pins or shows signs of overheating (such as deformed plastic) at the ac input or anywhere on the power adapter.

Do not use any power cords where the electrical contacts on either end show signs of corrosion or overheating or where the power cord appears to have been damaged in any way.

Extension cords and related devices



DANGER

Ensure that extension cords, surge protectors, uninterruptible power supplies, and power strips that you use are rated to handle the electrical requirements of the product. Never overload these devices. If power strips are used, the load should not exceed the power strip input rating. Consult an electrician for more information if you have questions about power loads, power requirements, and input ratings.

Plugs and outlets



DANGER

If a receptacle (power outlet) that you intend to use with your computer equipment appears to be damaged or corroded, do not use the outlet until it is replaced by a qualified electrician.

Do not bend or modify the plug. If the plug is damaged, contact the manufacturer to obtain a replacement.

Do not share an electrical outlet with other home or commercial appliances that draw large amounts of electricity; otherwise, unstable voltage might damage your computer, data, or attached devices.



DANGER

Some products are equipped with a three-pronged plug. This plug fits only into a grounded electrical outlet. This is a safety feature. Do not defeat this safety feature by trying to insert it into a non-grounded outlet. If you cannot insert the plug into the outlet, contact an electrician for an approved outlet adapter or to replace the outlet with one that enables this safety feature. Never overload an electrical outlet. The overall system load should not exceed 80 percent of the branch circuit rating. Consult an electrician for more information if you have questions about power loads and branch circuit ratings.

Be sure that the power outlet you are using is properly wired, easily accessible, and located close to the equipment. Do not fully extend power cords in a way that will stress the cords.

Be sure that the power outlet provides the correct voltage and current for the product you are installing.

Carefully connect and disconnect the equipment from the electrical outlet.

Power supply statement



DANGER

Never remove the cover on a power supply or any part that has the following label attached.



Hazardous voltage, current, and energy levels are present inside any component that has this label attached. There are no serviceable parts inside these components. If you suspect a problem with one of these parts, contact a service technician.

External devices



CAUTION

Do not connect or disconnect any external device cables other than USB and 1394 cables while the computer power is on; otherwise, you might damage your computer. To avoid possible damage to attached devices, wait at least five seconds after the computer is shut down to disconnect external devices.

Batteries



DANGER

Personal computers manufactured by Lenovo contain a coin cell battery to provide power to the system clock. In addition, many mobile products, such as notebook computers, utilize a rechargeable battery pack to provide system power when in portable mode. Batteries supplied by Lenovo for use with your product have been tested for compatibility and should only be replaced with approved parts.

Never attempt to open or service any battery. Do not crush, puncture, or incinerate batteries or short circuit the metal contacts. Do not expose the battery to water or other liquids. Only recharge the battery pack strictly according to instructions included in the product documentation.

Battery abuse or mishandling can cause the battery to overheat, which can cause gasses or flame to “vent” from the battery pack or coin cell. If your battery is damaged, or if you notice any discharge from your battery or the buildup of foreign materials on the battery leads, stop using the battery and obtain a replacement from the battery manufacturer.

Batteries can degrade when they are left unused for long periods of time. For some rechargeable batteries (particularly Lithium Ion batteries), leaving a battery unused in a discharged state could increase the risk of a battery short circuit, which could shorten the life of the battery and can also pose a safety hazard. Do not let rechargeable Lithium-Ion batteries completely discharge or store these batteries in a discharged state.

Rechargeable battery notice



DANGER

Do not attempt to disassemble or modify the battery pack. Attempting to do so can cause an explosion, or liquid leakage from the battery pack. A battery pack other than the one specified by Lenovo, or a disassembled or modified battery pack is not covered by the warranty.

If the rechargeable battery pack is incorrectly replaced, there is danger of an explosion. The battery pack contains a small amount of harmful substances. To avoid possible injury:

- Replace only with a battery of the type recommended by Lenovo.
- Keep the battery pack away from fire.
- Do not expose it to water or rain.
- Do not attempt to disassemble it.
- Do not short-circuit it.
- Keep it away from children.
- Do not drop the battery pack.

Do not put the battery pack in trash that is disposed of in landfills. When disposing of the battery, comply with local ordinances or regulations.

The battery pack should be stored at room temperature, charged to approximately 30 to 50% of capacity. We recommend that battery pack be charged about once per year to prevent overdischarge.

Lithium coin cell battery notice



DANGER

Danger of explosion if battery is incorrectly replaced.

When replacing the lithium coin cell battery, use only the same or an equivalent type that is recommended by the manufacturer. The battery contains lithium and can explode if not properly used, handled, or disposed of.

Do not:

- Throw or immerse into water
- Heat to more than 100°C (212°F)
- Repair or disassemble

Dispose of the battery as required by local ordinances or regulations.

The following statement applies to users in the state of California, U.S.A.

California Perchlorate Information:

Products containing CR (manganese dioxide) lithium coin cell batteries may contain perchlorate.

Perchlorate Material - special handling may apply.

See <http://www.dtsc.ca.gov/hazardouswaste/perchlorate>.

Heat and product ventilation



DANGER

Computers, AC adapters, and many accessories can generate heat when turned on and when batteries are charging. Notebook computers can generate a significant amount of heat due to their compact size. Always follow these basic precautions:

- When your computer is turned on or the battery is charging, the base, the palm rest, and some other parts may become hot. Avoid keeping your hands, your lap, or any other part of your body in contact with a hot section of the computer for any extended length of time. When you use the keyboard, avoid keeping your palms on the palm rest for a prolonged period of time. Your computer generates some heat during normal operation. The amount of heat depends on the amount of system activity and the battery charge level. Extended contact with your body, even through clothing, could cause discomfort or even a skin burn. Periodically take breaks from using the keyboard by lifting your hands from the palm rest; and be careful not to use the keyboard for any extended length of time.
- Do not operate your computer or charge the battery near flammable materials or in explosive environments.
- Ventilation slots, fans and/or heat sinks are provided with the product for safety, comfort, and reliable operation. These features might inadvertently become blocked by placing the product on a bed, sofa, carpet, or other flexible surface. Never block, cover, or disable these features.



DANGER

- When the AC adapter is connected to an electrical outlet and your computer, it generates heat. Do not place the adapter in contact with any part of your body while using it. Never use the AC adapter to warm your body. Extended contact with your body, even through clothing, may cause a skin burn.

For your safety, always follow these basic precautions with your computer:

- Keep the cover closed whenever the computer is plugged in.
- Regularly inspect the outside of the computer for dust accumulation.
- Remove dust from vents and any perforations in the bezel. More frequent cleanings might be required for computers in dusty or high-traffic areas.
- Do not restrict or block any ventilation openings.
- Do not operate your computer inside furniture, as this might increase the risk of overheating.
- Airflow temperatures into the computer should not exceed 35°C (95°F).

CD and DVD drive safety



DANGER

CD and DVD drives spin discs at a high speed. If a CD or DVD is cracked or otherwise physically damaged, it is possible for the disc to break apart or even shatter when the CD drive is in use. To protect against possible injury due to this situation, and to reduce the risk of damage to your computer, do the following:

- Always store CD/DVD discs in their original packaging.
- Always store CD/DVD discs out of direct sunlight and away from direct heat sources.
- Remove CD/DVD discs from the computer when not in use.
- Do not bend or flex CD/DVD discs, or force them into the computer or their packaging.
- Check CD/DVD discs for cracks before each use. Do not use cracked or damaged discs.

Electrical current safety information



DANGER

Electric current from power, telephone, and communication cables is hazardous.

To avoid a shock hazard:

- Do not use your computer during a lightning storm.
- Do not connect or disconnect any cables or perform installation, maintenance, or reconfiguration of this product during an electrical storm.
- Connect all power cords to a properly wired and grounded electrical outlet.
- Connect to properly wired outlets any equipment that will be attached to this product.
- Whenever possible, use one hand only to connect or disconnect signal cables.
- Never turn on any equipment when there is evidence of fire, water, or structural damage.
- Disconnect the attached power cords, battery pack, and all the cables before you open the device covers, unless instructed otherwise in the installation and configuration procedures.
- Do not use your computer until you have closed the cover. Never use the computer when the cover is open.



DANGER

Connect and disconnect cables as described in the following procedures when installing, moving, or opening covers on this product or attached devices.

To connect:

1. Turn everything OFF.
2. First, attach all cables to devices.
3. Attach signal cables to connectors.
4. Attach power cords to outlets.
5. Turn devices ON.

To disconnect:

1. Turn everything OFF.
2. First, remove power cords from outlets.
3. Remove signal cables from connectors.
4. Remove all cables from devices.

The power cord must be disconnected from the wall outlet or receptacle before installing all other electrical cables connected to the computer.

The power cord may be reconnected to the wall outlet or receptacle only after all other electrical cables have been connected to the computer.

Laser compliance statement

Some personal computer models are equipped from the factory with a CD or DVD drive. CD and DVD drives are also sold separately as options. CD and DVD drives are laser products. The drive's classification label (shown below) is on the surface of the drive.

CLASS 1 LASER PRODUCT
LASER KLASSE 1
LUOKAN 1 LASERLAITE
APPAREIL A LASER DE CLASSE 1
KLASS 1 LASER APPARAT



Example of the label

These drives are certified in the U.S. to conform to the requirements of the Department of Health and Human Services 21 Code of Federal Regulations (DHHS 21 CFR) Subchapter J for Class 1 laser products. Elsewhere, these drives are certified to conform to the requirements of the International Electrotechnical Commission (IEC) 60825-1 and CENELEC EN 60825-1 for Class 1 laser products.

Class 1 laser products are not considered hazardous. The design of the laser system and the optical storage drive ensures that there is no exposure to laser radiation above a Class 1 level during normal operation, user maintenance, or servicing.

When a CD or DVD drive is installed, note the following handling instructions.



DANGER

Use of controls, adjustments, or performance of procedures other than those specified herein might result in hazardous radiation exposure.

Do not remove the drive covers. Removing the covers of the CD or DVD drive could result in exposure to hazardous laser radiation. There are no serviceable parts inside the CD or DVD drive.

Some CD and DVD drives contain an embedded Class 3A or Class 3B laser diode. Note the following statement.



DANGER

Laser radiation when open. Do not stare into the beam, do not view directly with optical instruments, and avoid direct exposure to the beam.

Liquid crystal display (LCD) notice



CAUTION:

For products with mercury-containing fluorescent lamps (i.e., non-LED)

The fluorescent lamp in the liquid crystal display contains mercury; dispose according to local, state, or federal laws.

The LCD is made of glass, and rough handling or dropping the computer can cause the LCD to break. If the LCD breaks and the internal fluid gets into your eyes or on your hands, immediately wash the affected areas with water for at least 15 minutes; if any symptoms are present after washing, get medical care.

Using headphones or earphones

If your computer has both a headphone connector and an audio-out connector, always use the headphone connector for headphones (also called a headset) or earphones.

If your Lenovo computer came with headphones or earphones in the package, as a set, combination of the headphones or earphones and the computer already complies with the specifications of EN 50332-1. If different headphones or earphones are used, ensure that they comply with EN 50332-1 (Clause 6.5 Limitation Values). Using headphones that do not comply with EN 50332-1 can be dangerous due to excessive sound pressure levels.

Additional safety information



DANGER

Plastic bags can be dangerous. Keep plastic bags away from babies and children to avoid danger of suffocation.

Notice for users in the U.S.A.

Many PC products and accessories contain cords, cables or wires, such as power cords or cords to connect the accessory to a PC. If this product has such a cord, cable or wire, then the following warning applies:



WARNING

Handling the cord on this product or cords associated with accessories sold with this product will expose you to lead, a chemical known to the State of California to cause cancer, and birth defects or other reproductive harm. *Wash hands after handling.*

Save these instructions.

Caring your computer

Though your computer is designed to function reliably in normal work environments, you need to use common sense in handling it. By following these important tips, you will get the most use and enjoyment out of your computer.

Be careful about where and how you work

- Do not leave the base of your computer, or any other part that becomes hot during operation, in contact with your lap or any part of your body for an extended period when the computer is functioning or when the battery is charging. Your computer dissipates some heat during normal operation. This heat is a function of the level of system activity and battery charge level. Extended contact with your body, even through clothing, could cause discomfort or, eventually, a skin burn.
- When the AC adapter is connected to an electrical outlet and your computer, it generates heat. Do not place the adapter in contact with any part of your body while using it. Never use the AC adapter to warm your body. Extended contact with your body, even through clothing, may cause a skin burn.

- Route the cables of an AC adapter, a mouse, a keyboard, a printer, or any other electronic device, or communication lines, so that they cannot be walked on, tripped over, pinched by your computer or other objects, or in any way subjected to treatment that could disturb the operation of your computer. Applying strong force to the cables may damage or break them.
- Place liquids away from your computer to avoid spills, and keep your computer away from water (to avoid the danger of electrical shock).
- Do not eat or smoke over your keyboard. Particles that fall into your keyboard can cause damage.
- Store packing materials safely out of the reach of children to prevent the risk of suffocation from plastic bags.
- Keep your computer away from magnets, activated cellular phones, electrical appliances, or speakers (within 13 cm or 5 in).
- Avoid subjecting your computer to extreme temperatures (below 5°C/41°F or above 35°C/95°F).
- Some appliances, such as certain portable desktop fans or air purifiers, can produce negative ions. If a computer is close to such an appliance, and is exposed for an extended time to air containing negative ions, it may become electrostatically charged. Such a charge may be discharged through your hands when you touch the keyboard or other parts of the computer, or through connectors on I/O devices connected to it. Even though this kind of electrostatic discharge (ESD) is the opposite of a discharge from your body or clothing to the computer, it poses the same risk of a computer malfunction.
Your computer is designed and manufactured to minimize any effects of electrostatic charge. An electrostatic charge above a certain limit, however, can increase the risk of ESD. Therefore, when using the computer close to an appliance that can produce negative ions, give special attention to the following:

- Avoid directly exposing your computer to the air from an appliance that can produce negative ions.
- Keep your computer and peripherals as far as possible from such an appliance.
- Wherever possible, ground your computer to facilitate safe electrostatic discharge.

Note:

Not all such appliances cause a significant electrostatic charge.

When you handle options or CRUs, or perform any work inside the computer, take the following precautions to avoid static-electricity damage:

- Limit your movement. Movement can cause static electricity to build up around you.
- Always handle components carefully. Handle adapters, memory modules, and other circuit boards by the edges. Never touch exposed circuitry.
- Prevent others from touching components.
- When you install a static-sensitive option or CRU, touch the static-protective package containing the part to a metal expansion-slot cover or other unpainted metal surface on the computer for at least two seconds. This reduces static electricity in the package and your body.
- Whenever possible, remove the static-sensitive part from the static-protective packaging and install the part without setting it down. When this is not possible, place the static-protective packaging on a smooth, level surface and place the part on it.
- Do not place the part on the computer cover or other metal surface.

Be gentle with your computer

- Avoid placing any objects (including paper) between the display and the keyboard or under the keyboard.
- Do not drop, bump, scratch, twist, hit, vibrate, push, or place heavy objects on your computer, display, or external devices.
- Do not open the display beyond 130°, as this might damage the computer hinge.

Carry your computer properly

- Before moving your computer, be sure to remove any media, turn off attached devices, and disconnect cords and cables.
- Be sure your computer is in standby or hibernation mode, or turned off, before moving it. This will prevent damage to the hard disk drive and data loss.
- When picking up your open computer, hold it by the bottom. Do not pick up or hold your computer by the display.
- Use a quality carrying case that provides adequate cushion and protection. Do not pack your computer in a tightly packed suitcase or bag.

For outdoor use

- Backup your critical data before you take your computer outdoors.
- Ensure that the battery is full.
- Be sure to turn off the power and close the LCD well.
- Do not leave anything between the closed LCD and the keyboard.
- When you leave the computer in your car, place it on the back seat to avoid being insulated.
- Carry the AC adapter and power cord with the computer.

Handle storage media and drives properly

- If your computer comes with an optical drive, do not touch the surface of a disc or the lens on the tray.
- Wait until you hear the CD or DVD click into the center pivot of an optical drive before closing the tray.
- When installing your hard disk, follow the instructions shipped with your hardware, and apply pressure only where needed on the device.

Data safety

- Do not delete unknown files or change the name of files or directories that were not created by you; otherwise, your computer software might fail to work.
- Be aware that accessing network resources can leave your computer vulnerable to computer viruses, hackers, spyware, and other malicious activities that might damage your computer, software, or data.
- It is your responsibility to ensure that you have adequate protection in the form of firewalls, antivirus software, and anti-spyware software and keep this software up to date.

Take care in setting passwords

- Remember your passwords. If you forget a supervisor or hard disk password, Lenovo authorized service providers will not reset it, and you might have to replace your system board or hard disk drive.

Other important tips

- Register your Lenovo products with Lenovo (refer to the Web page: <http://www.lenovo.com/support>). This can help authorities return your computer

to you if it is lost or stolen. Registering your computer also enables Lenovo to notify you about possible technical information and upgrades.

- Only an authorized Lenovo repair technician should disassemble and repair your computer.
- Do not modify or tape the latches to keep the display open or closed.
- Take care not to turn your computer over while the AC adapter is plugged in. This could break the adapter plug.
- Turn off your computer if you are replacing a device, or else verify that the device is warm- or hot-swappable.
- Before you install any of the following devices, touch a metal table or a grounded metal object. This action reduces any static electricity from your body. The static electricity could damage the device.
 - ExpressCard
 - Memory card, such as SD card, Memory Stick, MultiMediaCard, and Memory Stick Pro card.
 - Memory module
 - PCI Express Card
- When transferring data to or from a Flash Media Card, such as an SD card, do not put your computer in standby or hibernation mode before the data transfer is complete. To do so might cause damage to your data.

Cleaning the cover of your computer

Note:

Shut down the computer and then disconnect the power cord before cleaning the computer.

Occasionally clean your computer as follows:

1. Prepare a mixture of a gentle kitchen-use detergent (one that does not contain abrasive powder or strong chemicals such as acid or alkaline). Use 5 parts water to 1 part detergent.
2. Absorb the diluted detergent into a sponge.
3. Squeeze excess liquid from the sponge.
4. Wipe the cover with the sponge, using a circular motion and taking care not to let any excess liquid drip.
5. Wipe the surface to remove the detergent.
6. Rinse the sponge with clean running water.
7. Wipe the cover with the clean sponge.
8. Wipe the surface again with a dry, soft lint-free cloth.
9. Wait for the surface to dry completely and remove any cloth fibers from the computer surface.

Cleaning your computer keyboard

Occasionally clean your computer as follows:

1. Absorb some isopropyl rubbing alcohol on a soft, dust-free cloth.
2. Wipe each keytop surface with the cloth. Wipe the keys one by one; if you wipe several keys at a time, the cloth may hook onto an adjacent key and possibly damage it. Make sure that no liquid drips onto or between the keys.
3. Allow to dry.
4. To remove any crumbs and dust from beneath the keys, you can use a camera blower with a brush or cool air from a hair drier.

Note:

Avoid spraying cleaner directly on the display or the keyboard.

Cleaning your computer display

Occasionally clean your computer as follows:

1. Gently wipe the display with a dry, soft lint-free cloth. If you see a scratchlike mark on your display, it might be a stain transferred from the keyboard when the cover was pressed from the outside.
2. Wipe or dust the stain gently with a soft, dry cloth.
3. If the stain remains, moisten a soft, lint-free cloth with water or a 50-50 mixture of isopropyl alcohol and water that does not contain impurities.
4. Wring out as much of the liquid as you can.
5. Wipe the display again; do not let any liquid drip into the computer.
6. Be sure to dry the display before closing it.

Accessibility and comfort

As your computer enables you to work in so many places, it is important that you remain attentive to good posture, good lighting, and proper seating. By keeping these considerations in mind, you can improve performance and achieve greater comfort. Lenovo is committed to providing the latest information and technology to our customers with disabilities.

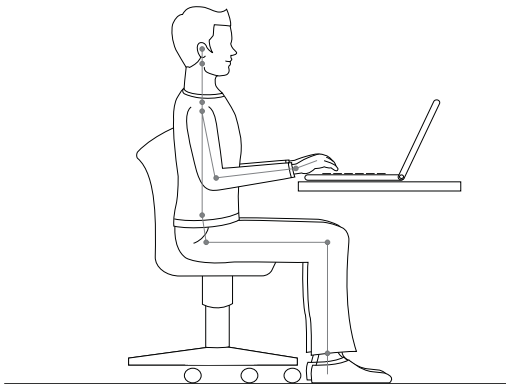
Ergonomic information

Working in the virtual office may mean adapting to frequent changes in your environment. Following some simple rules will make things easier and bring you the

maximum benefits of your computer. Keeping in mind such basics as good lighting and proper seating, for example, can help you improve your performance and achieve greater comfort.

Note:

This example shows someone in a conventional setting. Even if you work in a casual, less conventional setting, many of the tips in this section still apply. Develop good habits, and they will serve you well.



General Posture:

Below are some general recommendations for assuming a healthy working posture. It is best to periodically make minor modifications in your working posture to deter the onset of discomfort caused by long periods of working in the same position. Frequent, short breaks from your work will also help to prevent any minor discomfort associated with your working posture.

Display:

Position the display to maintain a comfortable viewing distance of 510-760 mm (20-30 inches). Avoid glare or reflections on the display from overhead lighting or outside sources of light. Keep the display screen clean and set the brightness to levels that enable you to see the screen clearly. Press **Fn + up/down arrow** to adjust display brightness.

Head Position:

Keep your head and neck in a comfortable and neutral (vertical, or upright) position.

Chair:

Use a chair that gives you good back support and seat height adjustment. Use chair adjustments to best suit your desired posture.

Arm and Hand Position:

If available, utilize chair arm rests or an area on your working surface to provide weight support for your arms. Keep your forearms, wrists, and hands in a relaxed and neutral (horizontal) position. Type with a soft touch without pounding the keys.

Leg Position:

Keep your thighs parallel to the floor and your feet flat on the floor or on a footrest.

What if you are traveling?

It may not be possible to observe the best ergonomic practices when you are using your computer while on the move or in a casual setting. Regardless of the setting, try to observe as many of the tips as possible. Sitting properly and using adequate lighting, for example, will help you maintain desirable levels of comfort and performance.

Questions about vision?

Your computer's visual display screen is designed to meet the highest standards and to provide you with clear, crisp images and large, bright displays that are easy to see, yet easy on the eyes. Of course, any concentrated and sustained visual activity can be tiring. If you have questions on eye fatigue or visual discomfort, consult a vision care specialist for advice.

Maintenance

An important part of owning your computer is maintenance. With proper care, you can avoid common problems. The following sections provide information that can help you to keep your computer running smoothly.

General tips for maintenance

Check the capacity of your hard disk drive from time to time. If the hard disk drive gets too full, Windows will slow down and might produce errors.

Note:

You can check the capacity of each hard disk drive as follows.

1. Click **Start** and select **Computer** from the start menu.
2. Right-click the hard-disk you want to check.
3. Select **Properties** from the popup menu.
4. Check the capacity of the hard disk drive.
5. Click the **OK** button to close the properties window.

Empty your recycle bin on a regular basis.

Use disk defragment tool regularly on your hard disk drive to improve data seek and read times.

- To free up disk space, uninstall unused application programs.

Note:

You might also want to look for application program duplication or overlapping versions.

- Clean out your Inbox, Sent, and Trash folders from your e-mail client program.
- At least once a week, make a point to back up your data. If critical data is present, it is a good idea to perform a daily backup. Lenovo has many backup options available for your computer. CD-RW drives and CD-RW/DVD drives are available for most computers and are easily installed.
- Use or schedule System Restore to take a system snapshot periodically.

Note:

Always take a system snapshot before installing new drivers, updating software, or installing new software.

- Update device drivers and BIOS when needed.
- Profile your machine at <http://www.lenovo.com/support> to keep up to date with current drivers and revisions.
- Keep up to date on device drivers on other non-Lenovo hardware. You might want to read the device driver information release notes prior to updating for compatibility or known issues.
- Keep a log book. Entries might include major hardware or software changes, driver updates, minor issues you have experienced and how you resolved them.
- If you ever need to run a recovery operation on your computer to return the contents of the hard disk to the factory-installed state, the following tips might help along the way:

- Remove all external devices such as the printer, keyboard, and so on.
- Make sure that the battery is charged and that you have the AC power adapter connected.
- Boot into the BIOS and load the default settings.
- Turn off the computer and start the recovery process.
- If your computer uses discs as the recovery media, do not remove the disc from the drive until you are prompted to do so.
- If required, you can find your country's Customer Support Center at the following Web address: <http://www.lenovo.com/support>. When calling the Customer Support Center, please make sure you have your machine type, model, and serial number available and the computer is in front of you. Also, if the machine is producing error codes, it is helpful to have the error screen on or the message written down.

Device drivers are programs that contain instructions for the operating system about how to operate or "drive" a certain piece of hardware. Each hardware component on your computer has its own specific driver. If you add a new component, the operating system needs to be instructed on how to operate that piece of hardware. After you install the driver, the operating system can recognize the hardware component and understand how to use it.

Note:

Due to the fact that drivers are programs, like any other file on your computer, they are susceptible to corruption and might not perform properly if corruption occurs.

Appendix A. Warranty information

Lenovo Limited Warranty

L505-0010-01 04/2008

This Lenovo Limited Warranty applies only to Lenovo branded hardware products you purchased for your own use and not for resale. This Lenovo Limited Warranty is available in other languages at <http://www.lenovo.com/warranty>.

What this Warranty Covers

Lenovo warrants that each hardware product that you purchase is free from defects in materials and workmanship under normal use during the warranty period. The warranty period for the product starts on the original date of purchase specified on your sales receipt or invoice unless Lenovo informs you otherwise in writing. The warranty period and type of warranty service that apply to your product are designated below under the section titled “Warranty information” on page 126.

THIS WARRANTY IS YOUR EXCLUSIVE WARRANTY AND REPLACES ALL OTHER WARRANTIES OR CONDITIONS, EXPRESS OR IMPLIED, INCLUDING, BUT NOT LIMITED TO, THE IMPLIED WARRANTIES OR CONDITIONS OF MERCHANTABILITY AND FITNESS FOR A PARTICULAR PURPOSE. SOME STATES OR JURISDICTIONS DO NOT ALLOW THE EXCLUSION OF EXPRESS OR IMPLIED WARRANTIES, SO THE ABOVE EXCLUSION MAY NOT APPLY TO YOU. IN THAT EVENT, SUCH WARRANTIES APPLY ONLY TO THE EXTENT REQUIRED BY LAW AND ARE LIMITED IN DURATION TO THE WARRANTY PERIOD. NO WARRANTIES APPLY AFTER THAT PERIOD. SOME

STATES OR JURISDICTIONS DO NOT ALLOW LIMITATIONS ON HOW LONG AN IMPLIED WARRANTY LASTS, SO THE ABOVE LIMITATION ON DURATION MAY NOT APPLY TO YOU.

How to Obtain Warranty Service

If the product does not function as warranted during the warranty period, you may obtain warranty service by contacting Lenovo or an approved service provider. Each of them is referred to as a "Service Provider." A list of Service Providers and their telephone numbers is available at <http://www.lenovo.com/support/phone>.

Warranty service may not be available in all locations and may differ from location to location. Charges may apply outside a Service Provider's normal service area. Contact a local Service Provider for location-specific information.

What Your Service Provider Will Do to Correct Problems

When you contact a Service Provider, you must follow the problem determination and resolution procedures specified.

Your Service Provider will attempt to diagnose and resolve your problem over the telephone, e-mail, or through remote assistance. Your Service Provider may direct you to download and install designated software updates.

Some problems can be resolved with a replacement part that you can install yourself called a "Customer Replaceable Unit" or "CRU." If so, your Service Provider will ship the CRU to you for you to install.

If your problem cannot be resolved over the telephone or remotely, through your application of software updates or the installation of a CRU by you, your Service

Provider will arrange for service under the type of warranty service designated for the product under the section titled “Warranty information” on page 126.

If your Service Provider determines that it is unable to repair your product, your Service Provider will replace it with one that is at least functionally equivalent.

If your Service Provider determines that it is unable to either repair or replace your product, your sole remedy is to return the product to your place of purchase or to Lenovo for a refund of your purchase price.

Replacement of a Product or Part

When the warranty service involves the replacement of a product or part, the replaced product or part becomes Lenovo’s property and the replacement product or part becomes your property. Only unaltered Lenovo products and parts are eligible for replacement. The replacement product or part provided by Lenovo may not be new, but it will be in good working order and at least functionally equivalent to the original product or part. The replacement product or part shall be warranted for the balance of the period remaining on the original product.

Before your Service Provider replaces a product or part, you agree to:

1. remove all features, parts, options, alterations, and attachments not under warranty service;
2. ensure that the product or part is free of any legal obligations or restrictions that prevent its replacement; and
3. obtain authorization from the owner to have your Service Provider service a product or part if you do not own it.

Your Additional Responsibilities

Where applicable, before service is provided, you agree to:

1. follow the service request procedures that your Service Provider specifies;
2. backup or secure all programs and data contained in the product;
3. provide your Service Provider with all system keys or passwords and sufficient, free, and safe access to your facilities to perform service; and
4. ensure that all information about identified or identifiable individuals ("Personal Data") is deleted from the product or that, with respect to any Personal Data that you did not delete, you are in compliance with all applicable laws.

Use of Personal Information

If you obtain service under this warranty, Lenovo will store, use, and process information about your warranty service and your contact information, including name, phone numbers, address, and e-mail address. Lenovo will use this information to perform service under this warranty and to improve our business relationship with you. We may contact you to inquire about your satisfaction regarding our warranty service or to notify you about any product recalls or safety issues. In accomplishing these purposes, we may transfer your information to any country where we do business and may provide it to entities acting on our behalf. We may also disclose it where required by law.

What this Warranty Does not Cover

This warranty does not cover the following:

- uninterrupted or error-free operation of a product;
- loss of, or damage to, your data;
- any software programs, whether provided with the product or installed subsequently;
- failure or damage resulting from misuse, accident, modification, unsuitable physical or operating environment, natural disasters, power surges, or improper maintenance by you;
- damage caused by a non-authorized service provider;

- failure of, or damage caused by, any third party products, including those that Lenovo may provide or integrate into the Lenovo product at your request; and
- any technical or other support, such as assistance with "how-to" questions and those regarding product set-up and installation.

This warranty is voided by removal or alteration of identification labels on the product or its parts.

Limitation of Liability

Lenovo is responsible for loss or damage to your product only while it is: 1) in your Service Provider's possession; or 2) in transit in those cases where the Service Provider is responsible for the transportation.

Neither Lenovo nor your Service Provider is responsible for any of your data including confidential, proprietary, or personal data contained in a product. You should remove and/or backup all such information from the product prior to its service or return.

Circumstances may arise where, because of a default on Lenovo's part or other liability, you may be entitled to recover damages from Lenovo. In each such instance, regardless of the basis of your claim against Lenovo (including breach, negligence, misrepresentation, or other contract or tort claim), except and to the extent that liability cannot be waived or limited by applicable laws, Lenovo shall not be liable for more than the amount of actual direct damages suffered by you, up to the amount you paid for the product. This limit does not apply to damages for bodily injury (including death) and damage to real property or tangible personal property for which Lenovo is liable under law.

This limit also applies to Lenovo's suppliers, resellers, and your Service Provider. It is the maximum amount for which Lenovo, its suppliers, resellers, and your Service Provider are collectively responsible.

UNDER NO CIRCUMSTANCES SHALL LENOVO, ITS SUPPLIERS, RESELLERS, OR SERVICE PROVIDERS BE LIABLE FOR ANY OF THE FOLLOWING EVEN IF INFORMED OF THEIR POSSIBILITY: 1) THIRD PARTY CLAIMS AGAINST YOU FOR DAMAGES; 2) LOSS OR DAMAGE TO YOUR DATA; OR 3) SPECIAL, INCIDENTAL, INDIRECT OR CONSEQUENTIAL DAMAGES, INCLUDING LOST PROFITS, BUSINESS REVENUE, GOODWILL OR ANTICIPATED SAVINGS. AS SOME STATES OR JURISDICTIONS DO NOT ALLOW THE EXCLUSION OR LIMITATION OF INCIDENTAL OR CONSEQUENTIAL DAMAGES, THE ABOVE LIMITATION OR EXCLUSION MAY NOT APPLY TO YOU.

Dispute Resolution

If you acquired the product in **Cambodia, Indonesia, Philippines, Vietnam or Sri Lanka**, disputes arising out of or in connection with this warranty shall be finally settled by arbitration held in Singapore and this warranty shall be governed, construed and enforced in accordance with the laws of Singapore, without regard to conflict of laws. If you acquired the product in **India**, disputes arising out of or in connection with this warranty shall be finally settled by arbitration held in Bangalore, India. Arbitration in Singapore shall be held in accordance with the Arbitration Rules of Singapore International Arbitration Center ("SIAC Rules") then in effect. Arbitration in India shall be held in accordance with the laws of India then in effect. The arbitration award shall be final and binding on the parties without appeal. Any award shall be in writing and set forth the findings of fact and the conclusions of law. All arbitration proceedings, including all documents presented in such proceedings, shall be conducted in the English language, and the English language version of this warranty prevails over any other language version in such proceedings.

Other Rights

THIS WARRANTY GIVES YOU SPECIFIC LEGAL RIGHTS AND YOU MAY HAVE OTHER RIGHTS WHICH VARY FROM STATE TO STATE OR JURISDICTION TO JURISDICTION. YOU MAY ALSO HAVE OTHER RIGHTS UNDER APPLICABLE LAW OR WRITTEN AGREEMENT WITH LENOVO. NOTHING IN THIS WARRANTY AFFECTS STATUTORY RIGHTS, INCLUDING RIGHTS OF CONSUMERS UNDER NATIONAL LEGISLATION GOVERNING THE SALE OF CONSUMER GOODS THAT CANNOT BE WAIVED OR LIMITED BY CONTRACT.

European Economic Area (EEA)

Customers in the EEA may contact Lenovo at the following address: EMEA Service Organisation, Lenovo (International) B.V., Floor 2, Einsteinova 21, 851 01, Bratislava, Slovakia. Service under this warranty for Lenovo hardware products purchased in EEA countries may be obtained in any EEA country in which the product has been announced and made available by Lenovo.

Warranty information

Machine Type	Country or Region of Purchase	Warranty period	Types of Warranty Service
4068	US, Canada, Mexico, Brazil, and Japan	Parts and Labor - 1 year Battery pack - 1 year	3 1
	China, China (Hong Kong S.A.R.), China (Macau S.A.R.), Taiwan, and Russia	Parts and Labor - 1 year Battery pack - 1 year	4 1
	Latin America (except Mexico and Brazil)	Parts and Labor - 1 year Battery pack - 1 year	4 1
	Other	Parts and Labor - 1 year Battery pack - 1 year	3 1

Machine Type	Country or Region of Purchase	Warranty period	Types of Warranty Service
4187	US, Canada, Mexico, and Brazil	Parts and Labor (LCD/HDD/System board) - 1 year	3
		Parts and Labor (other) - 90 days	1
		Battery pack - 90 days	
	China, China (Hong Kong S.A.R.), China (Macau S.A.R.), and Taiwan	Parts and Labor - 1 year	4
		Battery pack - 1 year	1
	Latin America (except Mexico and Brazil)	Parts and Labor (LCD/HDD/System board) - 1 year	4
		Parts and Labor (other) - 90 days	1
		Battery pack - 90 days	
	Europe, Middle East, Africa, and Russia	Parts and Labor - 2 years	4
		Battery pack - 1 year	1
Other	Parts and Labor - 2 years	3	
	Battery pack - 1 year	1	

If required, your Service Provider will provide repair or exchange service depending on the type of warranty service specified for your product and the available service. Scheduling of service will depend upon the time of your call, parts availability, and other factors.

A warranty period of 1 year on part and 1 year on labor means that Lenovo provides warranty service without charge for:

1. parts and labor during the first year of the warranty period (or a longer period as required by law); and
2. parts only, on an exchange basis, in the second and third years of the warranty period. Your Service Provider will charge you for any labor provided in performance of the repair or replacement(s) in the second and third year of warranty period.

Types of warranty service

1. Customer Replaceable Unit (“CRU”) Service

Under CRU Service, your Service Provider will ship CRUs to you for installation by you. CRU information and replacement instructions are shipped with your product and are available from Lenovo at any time upon request. CRUs that are easily installed by you are called Self-service CRUs, while Optional-service CRUs may require some technical skill and tools. Installation of Self-service CRUs is your responsibility. You may request that a Service Provider install Optional-service CRUs under one of the other types of warranty service designated for your product. An optional service offering may be available for purchase from Lenovo to have Lenovo install Self-service CRUs for you. You may find a list of CRUs and their designation in the publication that ships with your product or at <http://www.lenovo.com/CRUs>. The requirement to return a defective CRU, if any, will be specified in the materials shipped with a replacement CRU. When return is required, 1) return instructions, a prepaid return shipping label, and a container will be included with the replacement CRU; and 2) you may be charged for the replacement CRU if your Service Provider does not receive the defective CRU within thirty (30) days of your receipt of the replacement.

2. On-Site Service

Under On-Site Service, your Service Provider will either repair or exchange the product at your location. You must provide a suitable working area to allow disassembly and reassembly of the Lenovo product. For some products, certain repairs may require your Service Provider to send the product to a designated service center.

3. Courier or Depot Service

Under Courier or Depot Service, your product will be repaired or exchanged at a designated service center, with shipping arranged by your Service Provider. You are responsible for disconnecting the product. A shipping container will be provided to you for you to return your product to a designated service center. A courier will pick up your product and deliver it to the designated service center. Following its repair or exchange, the service center will arrange the return delivery of the product to you.

4. Customer Carry-In or Mail-In Service

Under Customer Carry-In or Mail-In Service, your product will be repaired or exchanged at a designated service center, with delivery or shipping arranged by you. You are responsible to deliver or mail, as your Service Provider specifies, (prepaid by you unless specified otherwise) the product, suitably packaged to a designated location. After the product has been repaired or exchanged, it will be made available for your collection. Failure to collect the product may result in your Service Provider disposing of the product as it sees fit. For Mail-in Service, the product will be returned to you at Lenovo's expense, unless your Service Provider specifies otherwise.

5. Product Exchange Service

Under Product Exchange Service, Lenovo will ship a replacement product to your location. You are responsible for its installation and verification of its operation. The replacement product becomes your property in exchange for the failed product, which becomes the property of Lenovo. You must pack the failed product in the shipping carton used to ship the replacement product and return it to Lenovo. Transportation charges, both ways, are paid by Lenovo. Failure to use the carton in which the replacement product was received may result in your responsibility for damage to the failed product during shipment. You may be charged for the replacement product if Lenovo does not receive the failed product within thirty (30) days of your receipt of the replacement product.

Suplemento de Garantía para México

Este Suplemento se considera parte integrante de la Garantía Limitada de Lenovo y será efectivo única y exclusivamente para los productos distribuidos y comercializados dentro del Territorio de los Estados Unidos Mexicanos. En caso de conflicto, se aplicarán los términos de este Suplemento.

Todos los programas de software precargados en el equipo sólo tendrán una garantía de treinta (30) días por defectos de instalación desde la fecha de compra. Lenovo no es responsable de la información incluida en dichos programas de software y/o cualquier programa de software adicional instalado por Usted o instalado después de la compra del producto.

Los servicios no cubiertos por la garantía se cargarán al usuario final, previa obtención de una autorización.

En el caso de que se precise una reparación cubierta por la garantía, por favor, llame al Centro de soporte al cliente al 001-866-434-2080, donde le dirigirán al Centro de servicio autorizado más cercano. Si no existiese ningún Centro de servicio autorizado

en su ciudad, población o en un radio de 70 kilómetros de su ciudad o población, la garantía incluirá cualquier gasto de entrega razonable relacionado con el transporte del producto a su Centro de servicio autorizado más cercano. Por favor, llame al Centro de servicio autorizado más cercano para obtener las aprobaciones necesarias o la información relacionada con el envío del producto y la dirección de envío.

Para obtener una lista de los Centros de servicio autorizados, por favor, visite:

<http://www.lenovo.com/mx/es/servicios>

Manufactured by one of the following, depending on the model:

SCI Systems de México, S.A. de C.V.

Av. De la Solidaridad Iberoamericana No. 7020

Col. Club de Golf Atlas

El Salto, Jalisco, México

C.P. 45680

Tel. 01-800-3676900

China (IIPC)

Shenzhen, China (two plants)

ISH2 Building, No. 3 Guanglan Road and Shuncang Building,

No. 6 Guanglan Road

Futian Free Trade Zone,

Shenzhen, P.R. China 518038

Wistron Infocomm (Kunshan) Co., Ltd.

No. 168, First Avenue,

Kunshan Export Processing Zone

Kunshan, Jiangsu, China

Tel. +86-512-57367888

Pegatron Corporation
No. 3768, Xiu Yan Rd. Kang Qiao Town, Nan Hui Dist,
Shanghai, China
Tel: +86.21.3811.8888

Marketed by:
Lenovo Mexico S de RL de CV
Av. Santa Fe 505, Piso 15
Col. Cruz Manca
Cuajimalpa, México, DF
CP 05349
Tel: 55-5000-8500

Appendix B. Customer Replaceable Units (CRUs)

Customer Replaceable Units (CRUs) are computer parts that the customer can upgrade or replace. There are two types of CRU: self-service and optional-service. Self-service CRUs are easy to install. They may be standalone or latched, or require a screwdriver to remove a maximum of two screws, whereas optional-service CRUs require some technical skill, as well as tools such as a screwdriver. However, both self-service and optional-service CRUs are safe for the customer to remove and replace.

Customers are responsible for replacing all self-service CRUs. Optional-service CRUs can be removed and installed by customers or, during the warranty period, by a Lenovo service technician.

Lenovo notebook computers contain both self-service and optional-service CRUs:

- **Self-service CRUs:** these CRUs can be unplugged, or are secured by no more than two screws. Examples of this type of CRU are the AC adapter, the power cord, the battery, and the hard drive. In some products, such components as memory, wireless cards, notebook keyboards, and palm rests with fingerprint reader and touch pad may also be CRUs.
- **Optional-service CRUs:** these CRUs are isolated parts within the computer that are concealed by an access panel, which is typically secured by more than two screws. Once the access panel is removed, the CRU is visible. Both types of CRU are listed in the table on the following page.

The Lenovo Limited Warranty-01 (LLW) warranty URL "<http://www.lenovo.com/CRUs>" provides instructions for replacing self-service and optional-service CRUs. CRU URL offers three options: auto detect, "key in the machine type," and a "drop

down and select.” Additionally, the *Lenovo IdeaPad S9e and S10e User Guide* (this guide) and *Setup Poster* provide instructions for several critical CRUs.

If you are unable to access these instructions or if you have difficulty replacing a CRU, you can use the following additional resource:

- The Customer Support Center. For the telephone number of the Support Center for your country or region, see “Worldwide telephone list” on page 81.

Note:
Use only computer parts provided by Lenovo. For warranty information about the CRUs for your machine type, see Appendix A, “Warranty information,” on page 119.

The following table provides a list of CRUs for your computer and tells where to find the replacement instructions.

	User Guide	Setup Poster	Online Hardware Maintenance Manual
Self-service CRUs			
AC adapter		X	
Power cord for AC adapter		X	
Battery	X	X	X
Hard disk drive	X		X
Memory	X		X
Optional-service CRUs			
Keyboard			X

	User Guide	Setup Poster	Online Hardware Maintenance Manual
Palm rest/Touch pad			X
PCI Express Mini Card for wireless LAN			X

Appendix C. Specifications

Specifications

Size	S9e/S10e with 3 cell battery <ul style="list-style-type: none">• Width: approximate 250 mm• Depth: approximate 183 mm• Height: approximate 22 to 27.5 mm	S9e/S10e with 6 cell battery <ul style="list-style-type: none">• Width: approximate 250 mm• Depth: approximate 196 mm• Height: approximate 22 to 36 mm
Environment	<ul style="list-style-type: none">• 8,000 ft (2,438 m)<ul style="list-style-type: none">– Operating: 5°C to 35°C (41°F to 95°F)– Non-operating: 5.0°C to 43.0°C (41°F to 109°F)• 10,000 ft (3,048 m)<ul style="list-style-type: none">– Operating unpressurized condition: 5.0°C to 31.3°C (41°F to 88°F)• Relative humidity:<ul style="list-style-type: none">– Operating: 5% to 95%• Storage: -20°C to 60°C (-4°F to 140°F)• Shipping: -20°C to 60°C (-4°F to 140°F)	
Power source (AC adapter)	<ul style="list-style-type: none">• Input rating of the AC adapter: 90 to 264 V ac, 47 to 63 Hz• 40 W	
Battery pack	<ul style="list-style-type: none">• Lithium-ion (Li-Ion) battery pack<ul style="list-style-type: none">– Nominal voltage: 11.1 V dc– Capacity: 2.6 Ah for 3 cell battery, 2.4 Ah for 6 cell battery	

Appendix D. Notices

Notices

Lenovo may not offer the products, services, or features discussed in this document in all countries. Consult your local Lenovo representative for information on the products and services currently available in your area. Any reference to a Lenovo product, program, or service is not intended to state or imply that only that Lenovo product, program, or service may be used. Any functionally equivalent product, program, or service that does not infringe any Lenovo intellectual property right may be used instead. However, it is the user's responsibility to evaluate and verify the operation of any other product, program, or service.

Lenovo may have patents or pending patent applications covering subject matter described in this document. The furnishing of this document does not give you any license to these patents. You can send license inquiries, in writing, to:

*Lenovo (United States), Inc.
1009 Think Place - Building One
Morrisville, NC 27560
U.S.A.*

Attention: Lenovo Director of Licensing

LENOVO PROVIDES THIS PUBLICATION "AS IS" WITHOUT WARRANTY OF ANY KIND, EITHER EXPRESS OR IMPLIED, INCLUDING, BUT NOT LIMITED TO, THE IMPLIED WARRANTIES OF NON-INFRINGEMENT, MERCHANTABILITY OR FITNESS FOR A PARTICULAR PURPOSE. Some jurisdictions do not allow disclaimer of express or implied warranties in certain transactions, therefore, this statement may not apply to you.

This information could include technical inaccuracies or typographical errors. Changes are periodically made to the information herein; these changes will be incorporated in new editions of the publication. Lenovo may make improvements and/or changes in the product(s) and/or the program(s) described in this publication at any time without notice.

The products described in this document are not intended for use in implantation or other life support applications where malfunction may result in injury or death to persons. The information contained in this document does not affect or change Lenovo product specifications or warranties. Nothing in this document shall operate as an express or implied license or indemnity under the intellectual property rights of Lenovo or third parties. All information contained in this document was obtained in specific environments and is presented as an illustration. The result obtained in other operating environments may vary.

Lenovo may use or distribute any of the information you supply in any way it believes appropriate without incurring any obligation to you.

Any references in this publication to non-Lenovo Web sites are provided for convenience only and do not in any manner serve as an endorsement of those Web sites. The materials at those Web sites are not part of the materials for this Lenovo product, and use of those Web sites is at your own risk.

Any performance data contained herein was determined in a controlled environment. Therefore, the result obtained in other operating environments may vary significantly. Some measurements may have been made on development-level systems and there is no guarantee that these measurements will be the same on generally available systems. Furthermore, some measurements may have been estimated through extrapolation. Actual results may vary. Users of this document should verify the applicable data for their specific environment.

Export classification notice

This product is subject to the United States Export Administration Regulations (EAR) and has an Export Classification Control Number (ECCN) of 4A994.b. It can be re-exported except to any of the embargoed countries in the EAR E1 country list.

Television output notice

The following notice applies to models that have the factory-installed television-output feature.

This product incorporates copyright protection technology that is protected by U.S. patents and other intellectual property rights. Use of this copyright protection technology must be authorized by Macrovision, and is intended for home and other limited viewing uses only unless otherwise authorized by Macrovision. Reverse engineering or disassembly is prohibited.

Wireless related information

Wireless interoperability

Wireless LAN PCI Express Mini Card is designed to be interoperable with any wireless LAN product that is based on Direct Sequence Spread Spectrum (DSSS), Complementary Code Keying (CCK), and/or Orthogonal Frequency Division Multiplexing (OFDM) radio technology, and is compliant to:

- The 802.11b/g Standard on Wireless LANs, as defined and approved by the Institute of Electrical and Electronics Engineers.
- The Wireless Fidelity (Wi-Fi) certification as defined by the Wi-Fi Alliance.

Bluetooth device is designed to be interoperable with any *Bluetooth* product that is compliant to *Bluetooth* Specification 2.0 + EDR as defined by the *Bluetooth* SIG.

Following profiles are supported by *Bluetooth* device:

- Generic Access
- Service Discovery
- Serial Port
- Dial-up Networking
- FAX
- LAN Access using PPP
- Personal Area Network
- Generic Object Exchange
- Generic Object Push
- File Transfer
- Synchronization
- Audio Gateway
- Headset
- Printer
- Human Interface Devices (Keyboard/Mouse)
- Basic Image
- Handsfree
- AV

Usage environment and your health

Wireless LAN PCI Express Mini Card and *Bluetooth* device emit radio frequency electromagnetic energy like other radio devices. However, the level of energy emitted is far much less than the electromagnetic energy emitted by wireless devices like for example mobile phones.

Due to the fact that Wireless LAN PCI Express Mini Card and *Bluetooth* device operate within the guidelines found in radio frequency safety standards and recommendations, Lenovo believes the integrated wireless cards are safe for use by consumers. These standards and recommendations reflect the consensus of the scientific community and result from deliberations of panels and committees of scientists who continually review and interpret the extensive research literature.

In some situation or environment, the use of Wireless LAN PCI Express Mini Card or *Bluetooth* device may be restricted by the proprietor of the building or responsible representatives of the organization. These situations may for example include:

- Using the integrated wireless cards on board of airplanes, or in hospitals
- In any other environment where the risk of interference to other devices or services is perceived or identified as harmful.

If you are uncertain of the policy that applies on the use of wireless devices in a specific organization (e.g., airport or hospital), you are encouraged to ask for authorization to use Wireless LAN PCI Express Mini Card or *Bluetooth* device prior to turning on the computer.

Electronic emissions notices

The following information refers to Lenovo IdeaPad S9e and S10e, machine type 4068 and 4187.

Federal Communications Commission (FCC) Statement

This equipment has been tested and found to comply with the limits for a Class B digital device, pursuant to Part 15 of the FCC Rules. These limits are designed to provide reasonable protection against harmful interference in a residential installation. This equipment generates, uses, and can radiate radio frequency energy and, if not installed and used in accordance with the instructions, may cause harmful interference to radio communications. However, there is no guarantee the interference will not occur in a particular installation. If this equipment does cause harmful interference to radio or television reception, which can be determined by turning the equipment off and on, the user is encouraged to try to correct the interference by one or more of the following measures:

- Reorient or relocate the receiving antenna.
- Increase the separation between the equipment and receiver.
- Connect the equipment into an outlet on a circuit different from that to which the receiver is connected.
- Consult an authorized dealer or service representative for help.

Properly shielded and grounded cables and connectors must be used in order to meet FCC emission limits. Proper cables and connectors are available from Lenovo authorized dealers. Lenovo is not responsible for any radio or television interference caused by using other than recommended cables or connectors or by unauthorized changes or modifications to this equipment. Unauthorized changes or modifications could void the user's authority to operate the equipment.

This device complies with Part 15 of the FCC Rules. Operation is subject to the following two conditions: (1) this device may not cause harmful interference, and (2) this device must accept any interference received, including interference that may cause undesired operation.

Responsible party:
Lenovo (United States) Incorporated
1009 Think Place - Building One
Morrisville, NC 27560
Telephone: 1-919-294-5900



Industry Canada Class B emission compliance statement

This Class B digital apparatus complies with Canadian ICES-003.

Avis de conformité à la réglementation d'Industrie Canada

Cet appareil numérique de la classe B est conforme à la norme NMB-003 du Canada.

European Union EMC Directive conformance statement

This product is in conformity with the protection requirements of EU Council Directive 2004/108/EC on the approximation of the laws of the Member States relating to electromagnetic compatibility. Lenovo cannot accept responsibility for any failure to satisfy the protection requirements resulting from a nonrecommended modification of the product, including the installation of non-Lenovo option cards.

This product has been tested and found to comply with the limits for Class B Information Technology Equipment according to CISPR 22/European Standard EN

55022. The limits for Class B equipment were derived for typical residential environments to provide reasonable protection against interference with licensed communication devices.

EU-EMC Directive (2004/108/EC) EN 55022 class B Statement of Compliance

Deutschsprachiger EU Hinweis

Hinweis für Geräte der Klasse B EU-Richtlinie zur Elektromagnetischen Verträglichkeit

Dieses Produkt entspricht den Schutzanforderungen der EU-Richtlinie 2004/108/EG (früher 89/336/EWG) zur Angleichung der Rechtsvorschriften über die elektromagnetische Verträglichkeit in den EU-Mitgliedsstaaten und hält die Grenzwerte der EN 55022 Klasse B ein.

Um dieses sicherzustellen, sind die Geräte wie in den Handbüchern beschrieben zu installieren und zu betreiben. Des Weiteren dürfen auch nur von der Lenovo empfohlene Kabel angeschlossen werden. Lenovo übernimmt keine Verantwortung für die Einhaltung der Schutzanforderungen, wenn das Produkt ohne Zustimmung der Lenovo verändert bzw. wenn Erweiterungskomponenten von Fremdherstellern ohne Empfehlung der Lenovo gesteckt/eingebaut werden.

Deutschland:

Einhaltung des Gesetzes über die elektromagnetische Verträglichkeit von Geräten

Dieses Produkt entspricht dem "Gesetz über die elektromagnetische Verträglichkeit von Betriebsmitteln" EMVG (früher "Gesetz über die elektromagnetische

Verträglichkeit von Geräten“). Dies ist die Umsetzung der EU-Richtlinie 2004/108/EG (früher 89/336/EWG) in der Bundesrepublik Deutschland.

Zulassungsbescheinigung laut dem Deutschen Gesetz über die elektromagnetische Verträglichkeit von Betriebsmitteln, EMVG vom 20. Juli 2007 (früher Gesetz über die elektromagnetische Verträglichkeit von Geräten), bzw. der EMV EG Richtlinie 2004/108/EC (früher 89/336/EWG), für Geräte der Klasse B.

Dieses Gerät ist berechtigt, in Übereinstimmung mit dem Deutschen EMVG das EG-Konformitätszeichen - CE - zu führen. Verantwortlich für die Konformitätserklärung nach Paragraf 5 des EMVG ist die Lenovo (Deutschland) GmbH, Gropiusplatz 10, D-70563 Stuttgart.

Informationen in Hinsicht EMVG Paragraf 4 Abs. (1) 4:
Das Gerät erfüllt die Schutzanforderungen nach EN 55024 und EN 55022 Klasse B.

Japanese VCCI Class B statement

この装置は、情報処理装置等電波障害自主規制協議会（VCCI）の基準に基づくクラスB情報技術装置です。この装置は、家庭環境で使用することを目的としていますが、この装置がラジオやテレビジョン受信機に近接して使用されると、受信障害を引き起こすことがあります。

取扱説明書に従って、正しい取り扱いをして下さい。

Japan compliance statement for power line harmonics

A statement of compliance to the IEC 61000-3-2 harmonics standard is required for all products connecting to the power mains and rated less than 20A per phase.

日本の定格電流が 20A/相 以下の機器に対する高調波電流規制

高調波電流規格 JIS C 61000-3-2 適合品

WEEE and recycling statements

General recycling statement

Lenovo encourages owners of information technology (IT) equipment to responsibly recycle their equipment when it is no longer needed. Lenovo offers a variety of programs and services to assist equipment owners in recycling their IT products. Information on product recycling offerings can be found on Lenovo's Internet site at <http://www.lenovo.com/lenovo/environment>.

EU WEEE Statements

The Waste Electrical and Electronic Equipment (WEEE) mark applies only to countries within the European Union (EU) and Norway. Appliances are labeled in accordance with European Directive 2002/96/EC concerning waste electrical and electronic equipment (WEEE). The Directive determines the framework for the return and recycling of used appliances as applicable throughout the European Union. This label is applied to various products to indicate that the product is not to be thrown away, but rather reclaimed upon end of life per this Directive.

Users of electrical and electronic equipment (EEE) with the WEEE marking per Annex IV of the WEEE Directive must not dispose of end of life EEE as unsorted municipal waste, but use the collection framework available to them for the return, recycle, recovery of WEEE and minimize any potential effects of EEE on the environment and human health due to the presence of hazardous substances. For additional WEEE information go to: <http://www.lenovo.com/support>.

Japan recycling statements

Collecting and recycling a disused Lenovo computer or monitor

If you are a company employee and need to dispose of a Lenovo computer or monitor that is the property of the company, you must do so in accordance with the Law for Promotion of Effective Utilization of Resources. Computers and monitors are categorized as industrial waste and should be properly disposed of by an industrial waste disposal contractor certified by a local government. In accordance with the Law for Promotion of Effective Utilization of Resources, Lenovo Japan provides, through its PC Collecting and Recycling Services, for the collecting, reuse, and recycling of disused computers and monitors. For details, visit the Lenovo Web site at <http://www.ibm.com/jp/pc/service/recycle/pcrecycle>.

Pursuant to the Law for Promotion of Effective Utilization of Resources, the collecting and recycling of home-used computers and monitors by the manufacturer was begun on October 1, 2003. This service is provided free of charge for home-used computers sold after October 1, 2003. For details, visit the Lenovo Web site at <http://www.ibm.com/jp/pc/service/recycle/personal>.

Disposing of a Lenovo computer components

Some Lenovo computer products sold in Japan may have components that contain heavy metals or other environmental sensitive substances. To properly dispose of disused components, such as a printed circuit board or drive, use the methods described above for collecting and recycling a disused computer or monitor.

Disposing a disused battery pack from Lenovo notebook computers

Your Lenovo notebook computer has a lithium ion battery pack or a nickel metal hydride battery pack. If you are a company employee who uses a Lenovo notebook computer and need to dispose of a battery pack, contact the proper person in Lenovo sales, service, or marketing, and follow that person's instructions. You also can refer to the instructions at

<http://www.ibm.com/jp/pc/environment/recycle/battery>.

If you use a Lenovo notebook computer at home and need to dispose of a battery pack, you must comply with local ordinances and regulations. You also can refer to the instructions at

<http://www.ibm.com/jp/pc/environment/recycle/battery>.

Notice for users in the U.S.A.

California Perchlorate Information:

Products containing CR (manganese dioxide) lithium coin cell batteries may contain perchlorate.

Perchlorate Material - special handling may apply. See the following web site:

<http://www.dtsc.ca.gov/hazardouswaste/perchlorate>

Notice on deleting data from your hard disk drive or solid state drive

As computers spread into every corner of life, they process more and more information. The data on your computer, some of which is sensitive, is stored on a storage device, either a hard disk drive (HDD) or the solid state drive (SSD). Before you dispose of, sell, or hand over your computer, make sure to delete data stored on it.

Handing your computer over to someone else without deleting the loaded software, such as operating systems and application software, may even violate License Agreements. You are advised to check the terms and conditions of those Agreements.

Deleting the data from the hard disk is not easy.

There are methods that seem to delete the data:

- Move the data to the recycle bin, and then choose the Empty recycle bin command.
- Use the Delete command.
- Format your HDD or SSD, using the software for initializing it.
- Using the recovery program, provided by Lenovo, bring the HDD or the SSD back to factory-ship state.

These operations, however, only change the file allocation of the data; they do not delete the data itself. In other words, the data retrieval processing is disabled under an operating system such as Windows. The data is still there, even though it seems to be lost. Thus, it is sometimes possible to read the data by use of special software for data recovery. There is a risk that people of bad faith may read and misuse the critical data on HDDs or SSDs for unexpected purposes

To prevent leakage of data, it becomes very important that you take responsibility for deleting all the data from the HDD or SSD when you dispose of, sell, or hand over your computer. You can destroy the data physically by smashing the HDD with a hammer, or magnetically by means of strongmagnetic power, thus making the data unreadable. But we recommend that you make use of the software (payware) or service (pay service) specifically developed for the purpose.

If you use software designed for use with the HDD to delete data stored on the SSD, it will erase only data that is accessible by normal operation. It may not erase the hidden area of the flash chip. Therefore, sometimes it may still be possible to read the data by use of special equipment or a special tool. To prevent leakage of data from the SSD, it is recommended that you delete all data on the flash chips by use of an application provided by Lenovo.

ENERGY STAR model information



ENERGY STAR® is a joint program of the U.S. Environmental Protection Agency and the U.S. Department of Energy aimed at saving money and protecting the environment through energy efficient products and practices.

Lenovo is proud to offer our customers products with the ENERGY STAR qualified designation. Lenovo computers of the following machine types, if the ENERGY STAR mark is affixed, have been designed and tested to conform to the ENERGY STAR 4.0 program requirements for computers.

4068 and 4187.

By using ENERGY STAR qualified products and taking advantage of the power-management features of your computer, you can help reduce the consumption of electricity. Reduced electrical consumption can contribute to potential financial savings, a cleaner environment, and the reduction of greenhouse gas emissions.

For more information about ENERGY STAR, visit the following Web site:

<http://www.energystar.gov>.

Lenovo encourages you to make efficient use of energy an integral part of your day-to-day operations. To help in this endeavor, Lenovo has preset the following power-management features to take effect when your computer has been inactive for a specified length of time:

- **Power plan: Energy Star at AC mode**

- Turn off monitor: After 10 minutes

- Turn off hard disks: After 15 minutes

- System standby: After 25 minutes

- System hibernates: Never

To awaken your computer from System Standby mode, press Fn key on your keyboard. For more information about these settings, see your Windows Help and Support information system.

Explanation of hard disk capacity

Dear user,

While using your computer, you may discover that the nominal hard disk capacity indicated is somewhat different from the disk capacity displayed by the operating system. For example, a nominal 80 GB hard disk will appear as less than 80 GB in the operating system. This discrepancy is not an error in hard disk installation nor any other problem, but a normal phenomenon of computers. This phenomenon is primarily due to the following reasons:

- 1. Different standards used by the manufacturer and operating system when calculating hard disk capacity**

Hard disk manufacturers use a radix of 1000, i.e. 1 G = 1,000 MB, 1 MB = 1,000 KB, 1 KB = 1,000 bytes. However, when identifying hard disk capacity, operating systems use a radix of 1024, i.e. 1 GB = 1,024 MB, 1 MB = 1,024 KB, 1 KB = 1,024 bytes. The standard adopted by your computer is that of the hard disk manufacturers. Since the standards adopted by the hard disk manufacturer and operating system are different, the hard disk capacity displayed by the operating system will be different from the nominal hard disk capacity.

For example, if the hard disk is nominally X G, even when it is completely empty, the capacity displayed by the operating system will be: $X \times 1000 \times 1000 \times 1000 / (1024 \times 1024 \times 1024) \approx X \times 0.931$ G.

If a portion of the hard disk space has been used for some specific purpose, then the capacity indicated by the operating system will be even less than $X \times 0.931$ G.

2. A portion of the hard disk space is used for specific purposes

Lenovo computers come with preinstalled Product Recovery Program, so the hard disk has a special portion partitioned before delivery, which is used to store hard disk mirror and Product Recovery Program program files. The size of the reserved space for this partition varies according to the model, operating system and software of the computer. For the sake of safety, this partition is not evident, which is commonly referred to as a “hidden partition”.

In addition, after the hard disk is partitioned or formatted, the system will assign a certain amount of hard disk space for the system files.

For the above reasons, the available hard disk space indicated by the operating system is always less than the computer’s nominal hard disk capacity.

Trademarks

The following terms are trademarks of Lenovo in the United States, other countries, or both:

IdeaPad

Lenovo®

Lenovo logo®

ThinkVantage®

Microsoft and Windows are trademarks or registered trademarks of Microsoft Corporation in the United States, other countries, or both.

Windows®

Other company, product, or service names may be trademarks or service marks of others.

Index

A

- AC adapter 26, 28
- accessibility 112
- audio device 39

B

- battery 26, 27
 - charging 30
 - handling 30
 - replacing 59
 - status 27
 - troubleshooting 55
- Bluetooth 41
- Bluetooth, communication 42
- bottom view 7

C

- comfort 112
- computer screen
 - troubleshooting 51

- cover
 - cleaning 110
- CRU (customer replaceable units) 133
- Customer Replaceable Unit (CRU) 133
- Customer Support Center 78
 - worldwide telephone list 81

D

- data safety 109
- deleting data
 - hard disk drive 152
 - solid state drive 152
- device driver 25
- diagnosing problems 45
 - PC-Doctor for DOS 46
- display
 - cleaning 112
 - troubleshooting 47

E

- earphone 104
- ergonomic information 112
- external device 35
- external display 38
- external microphone 41

F

- frequently asked question 43
- front view 6
- function key 13

H

- hard disk
 - capacity 155
- hard disk drive
 - troubleshooting 56
 - upgrading 64
- headphone 104
- headphone device 39
- help and service 77
- hibernation mode
 - troubleshooting 49

I

- information
 - safety, use, and care 83
- integrated camera 16

K

- keyboard 12
 - cleaning 111
 - troubleshooting 49

L

- LAN port 17
- left-side view 3
- Lenovo Limited Warranty 119
- Lenovo Quick Start 33
 - Chat instant messaging 33
 - Music Player 33
 - Novo button 34
 - Photo Manager 33
 - Skype 33
 - World Wide Web 33
- Linux 43

M

- maintenance 115
 - general tips 115
- memory
 - replacing 71
- memory card 15

N

- notices 139
 - collecting and recycling 150
 - deleting data 152
 - disposing of battery pack 151
 - disposing of component 150
 - electronic emissions 143
 - environment 143

notices (*continued*)
EU environmental 149
Export classification 141
FCC statement 144
for US users 151
health 143
Japan compliance statement 148
recycling 149
recycling for Japan 150
television output 141
numeric keypad 12

O

outdoor use 108

P

password 19
 setting 109
 troubleshooting 48
PC card device 37, 38
PC-Doctor 45
 for Windows 45
product specification 137
product warranty 126
 International Warranty Service 80

R

- replacing device 59
- right-side view 4

S

- security lock 18
- service and help 77
- shutdown 9, 10
- sound
 - troubleshooting 54
- specification 137
 - hardware 137
- standby 9
- standby mode
 - troubleshooting 49
- startup
 - troubleshooting 56
- storage media 109

T

- top view 1
- touch pad 10
- trademarks 157
- traveling 114
- troubleshooting 43, 47
 - battery 55
 - computer screen 51
 - display 47

troubleshooting (*continued*)
 hard disk drive 56
 keyboard 49
 password 48
 sound 54
 standby or hibernation 49
 startup 56

U

Universal Serial Bus (USB) 35
upgrading device 59

V

vision 115

W

warranty information 119, 126
warranty service
 type 128
Web help 77
wireless
 information 141
 interoperability 141
wireless LAN 18
worldwide support telephone list 81

