

Desk Mount Dual Monitor Arm | Crossbar Design | Articulating



Actual product may vary from photos

User Manual SKU#: ARMDUAL2

For the latest information and specifications visit
www.startech.com/AMRDUAL2

Use of Trademarks, Registered Trademarks, and other Protected Names and Symbols

This manual may make reference to trademarks, registered trademarks, and other protected names and/or symbols of third-party companies not related in any way to StarTech.com. Where they occur these references are for illustrative purposes only and do not represent an endorsement of a product or service by StarTech.com, or an endorsement of the product(s) to which this manual applies by the third-party company in question. Regardless of any direct acknowledgement elsewhere in the body of this document, StarTech.com hereby acknowledges that all trademarks, registered trademarks, service marks, and other protected names and/or symbols contained in this manual and related documents are the property of their respective holders.

Warning Statements

- Make sure that you assemble this product according to the instructions.
- Do not exceed the weight capacity of this product. Overloading this product might result in injury or property damage. This product can support the following weight: 35.2 lb. (2 x 8 kg).
- This product is intended for indoor use only and should not be used outdoors.

Varningsmeddelanden

- Se till att du monterar produkten i enlighet med instruktionerna.
- Överskrid inte produktens viktkapacitet. Överbelastning av produkten kan orsaka skada på person eller egendom. Denna produkt har stöd för följande vikter: 2 x 8 kg.
- Produkten är endast avsedd för användning inomhus och ska inte användas utomhus.

Avertissements

- Assemblez ce produit conformément aux instructions.
- Ne dépassez pas la capacité pondérale du produit. Une surcharge du produit peut entraîner des blessures ou des dommages matériels. Ce produit peut supporter 2 x 8 kg.
- Ce produit est uniquement destiné à une utilisation en intérieur et ne doit pas être utilisé à l'extérieur.

Warnhinweise

- Beachten Sie bei der Montage dieses Produkts die Montageanweisungen.
- Überschreiten Sie nicht die Tragkraft dieses Produkts. Ein Überladen dieses Produkts kann zu Verletzungen oder zur Beschädigung des Produkts führen. Dieses Produkt ist für folgendes Gewicht geeignet: 2 x 8 kg.
- Dieses Produkt ist nur zum Gebrauch in Innenräumen vorgesehen und sollte nicht im Freien verwendet werden.

Dichiarazioni di avvertenza

- Assicurarsi di Assemblare il prodotto secondo le istruzioni.
- Non superare la capacità di carico del prodotto. Il sovraccarico del prodotto potrebbe causare danni o lesioni. Il prodotto è in grado di supportare i seguenti pesi: 2 x 8 kg.
- Il prodotto è destinato all'uso in ambienti interni. Se ne sconsiglia l'impiego in ambienti esterni.

Mensagens de aviso

- Certifique-se de que monta este produto de acordo com as instruções.
- Não exceda a capacidade de peso deste produto. Sobrecarregar este produto pode resultar em ferimentos ou danos de propriedade. Este produto pode suportar o seguinte peso: 2 x 8 kg.
- Este produto destina-se apenas a uma utilização no interior e não deve ser utilizado no exterior.

Advertencias de uso

- Asegúrese de ensamblar este producto según las instrucciones.
- Asegúrese de no exceder la capacidad de peso de este producto. La sobrecarga de este producto puede causar lesiones personales o daños en la propiedad. Este producto tiene capacidad para el siguiente peso: 2 x 8 kg.
- El uso de este producto es solo para interiores y no debe utilizarse en exteriores.

Waarschuwingen

- Zorg dat u dit product volgens de instructies in elkaar zet.
- Overschrijd de maximale capaciteit van dit product niet. Overbelasting van dit product kan letsel of materiële schade veroorzaken. Dit product ondersteunt het volgende gewicht: 2 x 8 kg.
- Dit product is alleen bedoeld voor binnengebruik en mag niet buiten worden gebruikt.

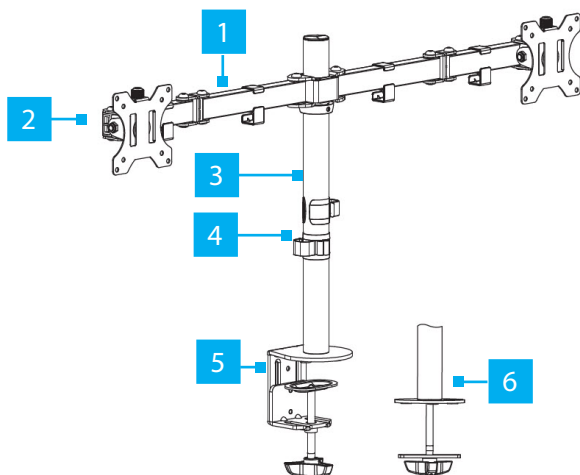
注意

- 必ず取扱説明書に従って本製品の組み立てを行って下さい。
- 本製品で定められた最大積載重量を超えないようにして下さい。最大積載重量をオーバーした場合、怪我をする恐れや器物破損の恐れがあります。本製品は、モニター1台あたり2 x 8kgまで支持できます。
- 本製品は、室内での使用を想定しています。戸外では使用しないで下さい。

Table of Contents

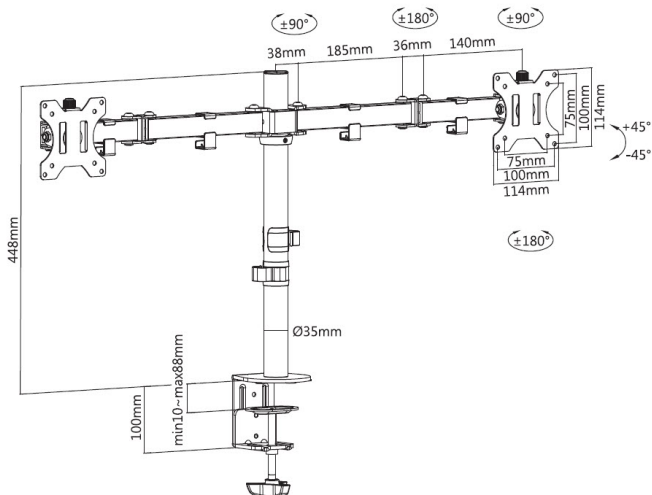
Warning Statements	2
Product Diagram	5
Product Dimensions	6
Product Information	7
Package Contents	7
Product Specifications.....	11
Requirements.....	12
Mounting the Monitor Arm Using the C-Clamp	13
Using the Grommet Mount	17
Attaching the Monitors (Flush)	24
Attaching the Monitors (Recessed)	26
Mounting the Monitors	28
Adjusting the Monitors	30
Tilt Adjustment	30
Micro Adjustments	31
Routing the Cables	33

Product Diagram



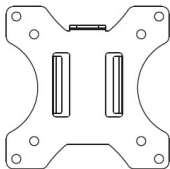
1	Swivel Arm Assembly	5	C- Clamp
2	VESA Mount x 2	6	Grommet
3	Pole		
4	Cable Management Clips		

Product Dimensions



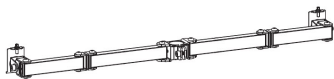
Product Information

Package Contents



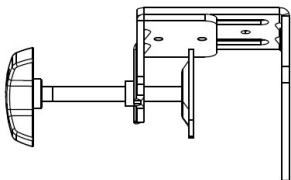
VESA Mounts

Qty: Two



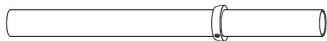
Swivel Arm Assembly

Qty: One



C-Clamp Assembly

Qty: One



Pole

Qty: One



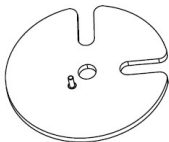
Pole Cap

Qty: One



Cable Management Clip

Qty: Two



Grommet Base Plate

Qty: One



Micro-Adjustment Knobs

Qty: Two



*Micro-Adjustment Knob
Screws*

Qty: Two



Rubber Pads

Qty: Five



Pole Assembly Screw

Qty: Three



Grommet Plate

Qty: One



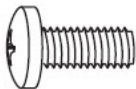
4 mm Hex Key

Qty: One



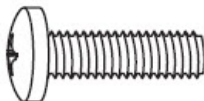
6 mm Hex Key

Qty: One



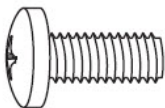
M4 x 12 mm Screws

Qty: Eight



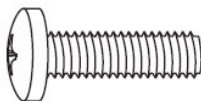
M4 x 16 mm Screws

Qty: Eight



M5 x 12 mm Screws

Qty: Eight



M5 x 16 mm Screws

Qty: Eight



Washers

Qty: Eight



Spacers

Qty: Sixteen



Swivel Arm Cable Clip

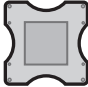



Qty: Four





3 mm Hex Key

Qty: One

Product Specifications

 VESA	<i>75 x 75</i> <i>100 x 100</i>
 Total Weight (two monitors)	<i>35.2 lb. (2 x 8 kg)</i>
 Screen Size	<i>Max. 32 "</i>
 Rotation	<i>360°</i>

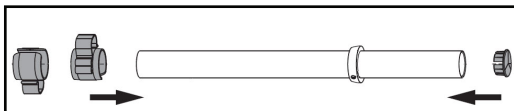
 <p><i>Tilt</i></p>	<p>- 45° to +45°</p>
 <p><i>Swivel</i></p>	<p>- 90° to +90°</p>

Requirements

- Phillips Head Screwdriver x 1
- Monitors x 2
- Mounting Surface x 1

Mounting the Monitor Arm Using the C-Clamp

1. Insert the **Pole Cap** into the top of the **Pole**.

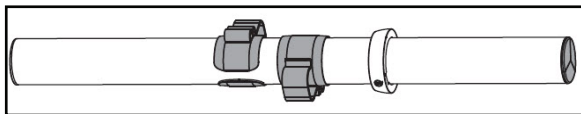


Installing the Pole Cap

2. Slide the **Cable Management Clips** onto of the **pole**.

- or -

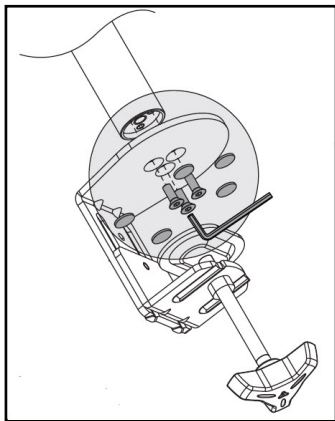
Clip the **Cable Management Clip** onto the **Pole**.



Installing Cable Management Clip

3. Align the three **Screw Holes** on the top of the **C-Clamp** with the three **Screw Holes** on the bottom of the **Pole**.
4. Insert the three **Pole Assembly Screws** through the **Screw Holes** on the top of the **C-Clamp** and into the **Screw Holes** on the bottom of the **Pole**.

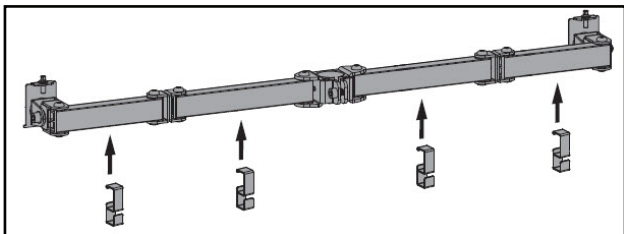
- Using the **4 mm Hex Key**, tighten the three **Pole Assembly Screws**. Being careful not to over-tighten the **Pole Assembly Screws**.
- Remove the backing from the **Rubber Pads** (x 5).
- Apply the adhesive side of the **Rubber Pads** to the under side of the top of the **C-Clamp**.



Attaching the C-Clamp to the Pole

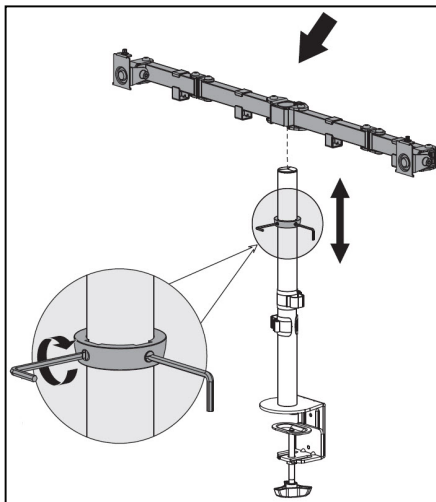
- While supporting the weight of the **Monitor Arm**, slide the **C-Clamp** over the edge of the **Mounting Surface**.
- Using your hand, tighten the **Knob** until the **C-Clamp** is pressed tightly against the **Mounting Surface**.

- Using the **3 mm Hex Key**, loosen the **Adjustment Screw** on the **Collar**.
- Position the **Collar** at the height you want the **Monitors** to sit.
- Using the **3 mm Hex Key**, tighten the **Adjustment Screw** on the side of the **Collar**, securing the **Collar** to the **Pole**.
- Clip the **Arm Assembly Clips** (x 4) into place along the **Swivel Arm Assembly**.



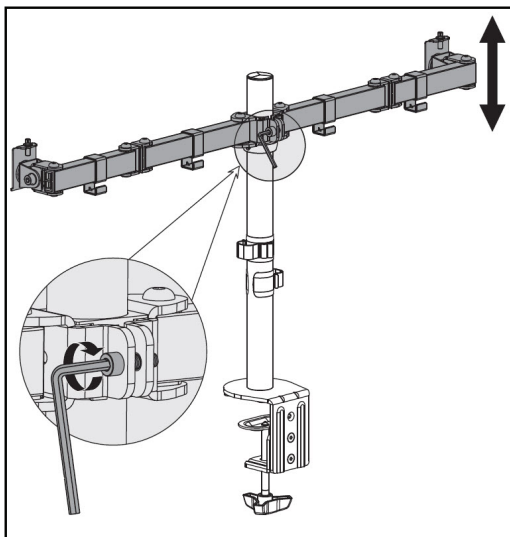
Installing the Arm Assembly Clips

- Slide the **Swivel Arm Assembly** over-top of the **Pole**, until the **Swivel Arm Assembly** comes in contact with the **Collar**.



Installing the Swivel Arm Assembly

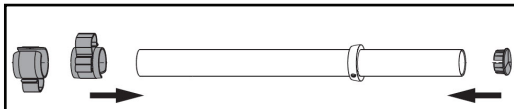
15. While holding the weight of the **Swivel Arm Assembly**, use the **6 mm Hex Key** to tighten the **Adjustment Screw** on the **Swivel Arm Assembly** to secure the **Swivel Arm Assembly** in place.



Tightening the Swivel Arm

Using the Grommet Mount

1. Insert the **Pole Cap** into the top of the **Pole**.

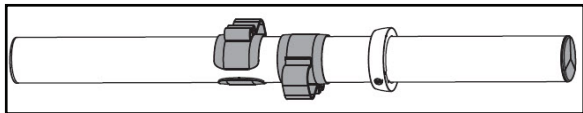


Installing the Pole Cap

- Slide the **Cable Management Clips** onto of the **pole**.

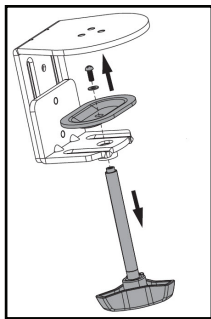
- or -

Clip the **Cable Management Clip** onto the **Pole**.



Installing Cable Management Clip

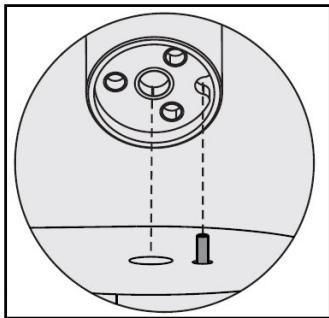
- Align the three **Screw Holes** on the top of the **C-Clamp** with the three **Screw Holes** on the bottom of the **Pole**.
- Using a **Phillips Head Screw Driver**, remove the small screw attached to the **Knob** onto the **C-Clamp**.



Removing the Knob

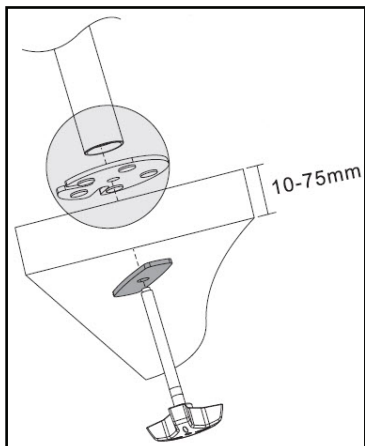
- Remove the backing from the **Rubber Pads** (x 5).

6. Apply the adhesive side of the **Rubber Pads** to the side of the **Grommet Base Plate** without the protrusion.
7. Align the **Protrusion** on the **Grommet Base Plate** with the **Notch** on the bottom of the **Pole**.



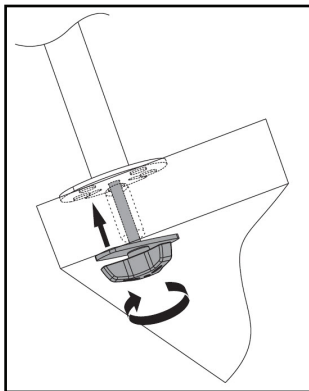
Aligning the Grommet Base Plate

8. Insert the **Protrusion** on the **Grommet Base Plate** into the **Notch** on the bottom of the **Pole**.
9. While holding the **Grommet Base Plate** against the bottom of the **Pole**, align the center hole on the **Grommet Base Plate** with the **Grommet Hole** in the **Mounting Surface**.
10. On the under side of the **Mounting Surface**, align the **Grommet Plate** with the **Grommet Hole**.
11. Insert the **Knob** through the **Grommet Plate** and **Grommet Hole** and into the **Grommet Base Plate** and **Pole**.



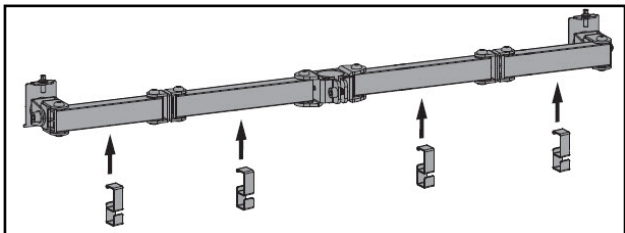
Installing the Grommet

12. Tighten the **Knob**, until the **Grommet Plate** and **Knob** are pushing tightly against the bottom of the **Mounting Surface**.



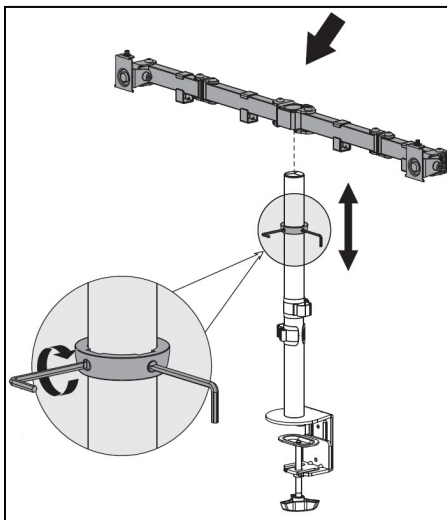
Tightening the Knob

13. Using the **3 mm Hex Key**, loosen the **Adjustment Screw** on the **Collar**.
14. Position the **Collar** at the height you want the **Monitors** to sit.
15. Using the **3 mm Hex Key**, tighten the **Adjustment Screw** on the side of the **Collar**, securing the **Collar** to the **Pole**.
16. Clip the **Arm Assembly Clips** (x 4) into place along the **Swivel Arm Assembly**.



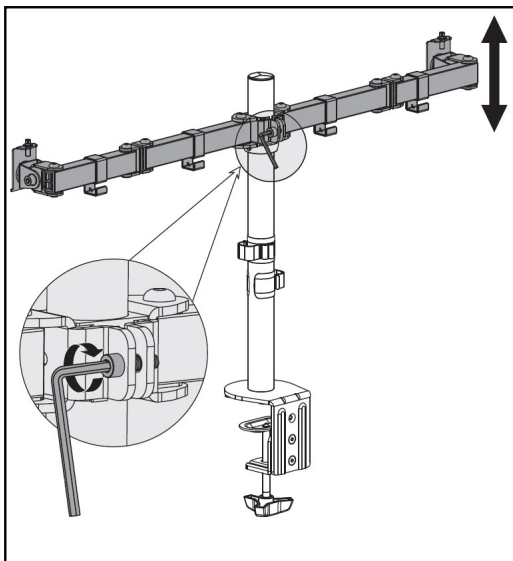
Installing the Arm Assembly Clips

- Slide the **Swivel Arm Assembly** over-top of the **Pole**, until the **Swivel Arm Assembly** comes in contact with the **Collar**.



Installing the Swivel Arm Assembly

18. While holding the weight of the **Swivel Arm Assembly**, use the **6 mm Hex Key** to tighten the **Adjustment Screw** on the **Swivel Arm Assembly** to secure the **Swivel Arm Assembly** in place.



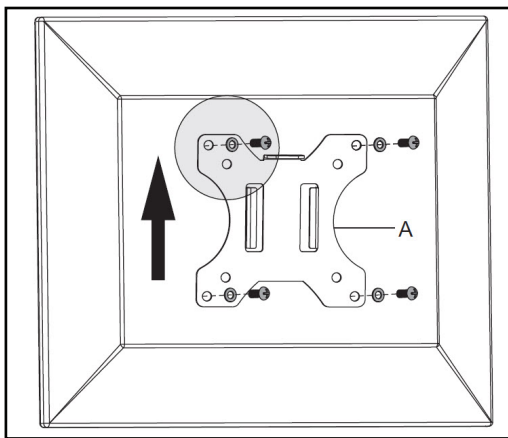
Tightening the Swivel Arm

Attaching the Monitors (Flush)

Note: *It is recommend that two people are used to mount the **Monitors** to the **Monitor Mounts**.*

1. Determine the size and length of screw to use to mount the **Monitors** to the **Monitor Mounts** (M4 x 12 mm or M5 x 12 mm, if appropriate).

2. Lay the **Monitor** face down on a flat, level surface.
3. Align the **Mounting Holes** on the **VESA Mount** with the **Screw Holes** on the back of the **Monitor**, making sure that the **Mounting Flange** on the **VESA Mount** is at the top.
4. Align the **Washers** (x 4) with the **Mounting Holes** on the **VESA Mount**.
5. Insert the **Screws** (x 4) through the **Washers** and **Mounting Holes** and into the **Screw Holes** in the back of the **Monitor**.



Installing the VESA Mount

6. Using a **Phillips Head Screwdriver** (sold separately) tighten the **Screws**, being careful not to over-tighten.

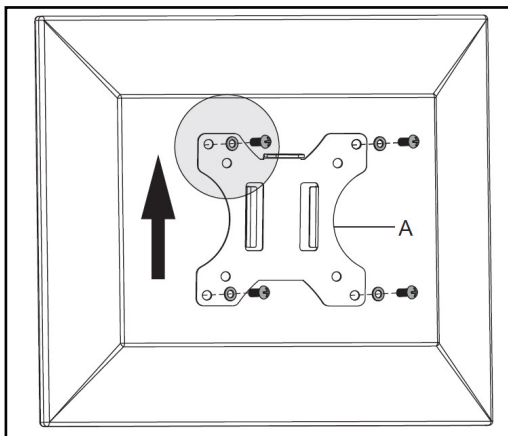
Note: Do not over-tighten the Screws. If you encounter resistance while you're tightening the Screws, stop tightening. Failure to do so could result in damage to the monitor.

7. Repeat steps 1 - 6 to mount the second **Monitor**.

Attaching the Monitors (Recessed)

Note: It is recommend that two people are used to mount the **Monitors** to the **Monitor Mounts**.

1. Determine the size and length of screw to use to mount the **Monitors** to the **Monitor Mounts** (M4 x 12 mm or M5 x 12 mm, if appropriate).
2. Lay the **Monitor** face down on a flat, level surface.
3. Align the **Spacers** (x 4) with the **Screw Holes** on the back of the **Monitor**.
4. Align the **Mounting Holes** on the **VESA Mount** with the **Spacers** on the back of the **Monitor**, making sure that the **Mounting Flange** on the **VESA Mount** is at the top.
5. Align the **Washers** (x 4) with the **Mounting Holes** on the **VESA Mount**.
6. Insert the **Screws** (x 4) through the **Washers** and **Mounting Holes** and into the **Screw Holes** in the back of the **Monitor**.



Installing the VESA Mount

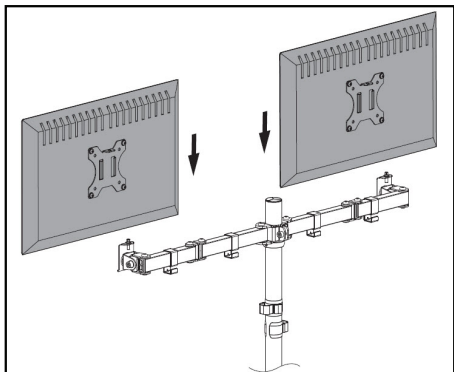
7. Using a **Phillips Head Screwdriver** (sold separately) tighten the **Screws**, being careful not to over-tighten.

Note: Do not over-tighten the Screws. If you encounter resistance while you're tightening the Screws, stop tightening. Failure to do so could result in damage to the monitor.

8. Repeat steps 1 - 6 to mount the second **Monitor**.

Mounting the Monitors

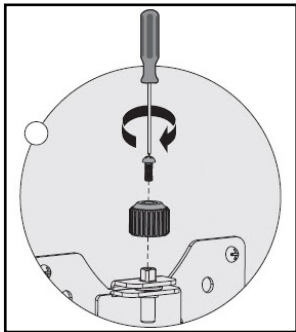
1. While supporting the weight of the **Monitor**, slide the **VESA Mount** down onto the **Swivel Arm Assembly**, aligning the hole on the **Mounting Flange** (located on the **VESA Mount**) with the **Micro-Adjustment Screw Protrusion** on the **Monitor Holder**.



Installing the Monitors

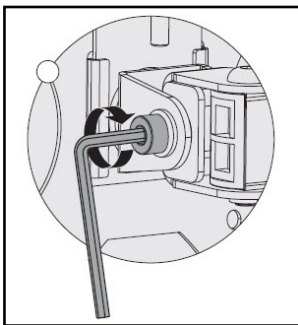
2. When the **Mounting Flange** on the **VESA Mount** is sitting on the **Micro-Adjustment Screw Protrusion**, mount the **Micro-Adjustment Knob** on the top of the **Micro-Adjustment Screw Protrusion**.
3. Insert the **Micro-Adjustment Screw** through the center of the **Micro-Adjustment Knob** and into the **Micro-Adjustment Screw Protrusion**.

- Using a **Phillips Head Screwdriver**, tighten the **Micro-Adjustment Screw**.



Installing the Micro-Adjustment Knob

- Adjust the **Monitor** tilt until it is in the desired position.
- Using the **6 mm Hex Key**, tighten the **Adjustment Screw** on the side of the **Monitor Holder**, securing the **Monitor** in place.



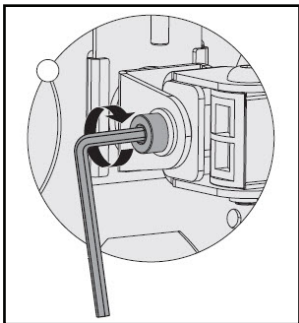
Tightening the Monitor Adjustment Screw

7. Repeat steps 1 - 6 to mount the second **Monitor**.

Adjusting the Monitors

Tilt Adjustment

1. Using the **6 mm Hex Key**, loosen the **Adjustment Screw** that is located on the side of the **Monitor Mount**.



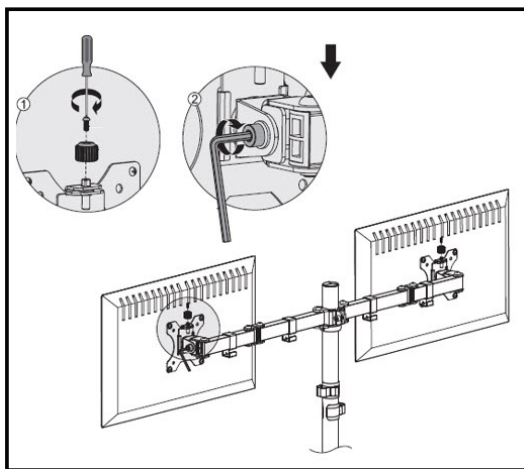
Adjusting the Monitor Tilt

2. Adjust the tilt of the **Monitor**.
3. Once the **Monitor** is in the desired position, tighten the **Adjustment Screw**, securing the **Monitor** in place.

Micro Adjustments

Making micro adjustments will slightly move the monitor up and down.

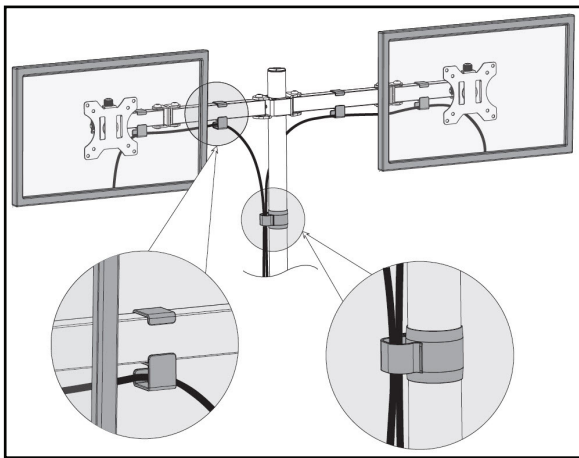
- Insert the **6 mm Hex Key** into the center-top of the **Micro-Adjustment Knob** and turn the **Hex Key** clockwise or counter-clockwise to just the **Monitor** up and down.



Making Micro Adjustments

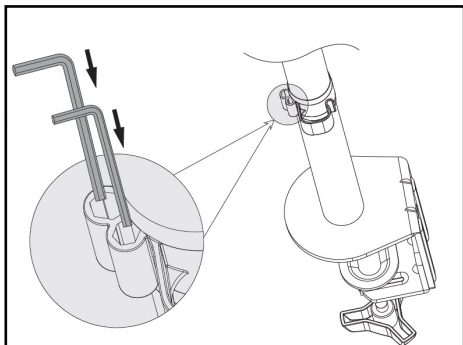
Routing the Cables

- **Monitor Cables** can be routed along the **Swivel Arm Assembly** through the **Cable Management Clips** along the **Swivel Arm Assembly** and down along the **Pole** through the **Cable Management Clip**.



Routing Cables

- Once the **Monitor Arm** is assembled the **Hex Keys** can be placed in the front of the **Cable Management Clip** on the **Pole**.



Hex Key Holder

Warranty Information

This product is backed by a five-year warranty.

For further information on product warranty terms and conditions, please refer to www.startech.com/warranty.

Limitation of Liability

In no event shall the liability of StarTech.com Ltd. and StarTech.com USA LLP (or their officers, directors, employees or agents) for any damages (whether direct or indirect, special, punitive, incidental, consequential, or otherwise), loss of profits, loss of business, or any pecuniary loss, arising out of or related to the use of the product exceed the actual price paid for the product.

Some states do not allow the exclusion or limitation of incidental or consequential damages. If such laws apply, the limitations or exclusions contained in this statement may not apply to you.

Hard-to-find made easy. At StarTech.com, that isn't a slogan. It's a promise.

StarTech.com is your one-stop source for every connectivity part you need. From the latest technology to legacy products — and all the parts that bridge the old and new — we can help you find the parts that connect your solutions.

We make it easy to locate the parts, and we quickly deliver them wherever they need to go. Just talk to one of our tech advisors or visit our website. You'll be connected to the products you need in no time.

Visit www.startech.com for complete information on all StarTech.com products and to access exclusive resources and time-saving tools.

StarTech.com is an ISO 9001 Registered manufacturer of connectivity and technology parts. StarTech.com was founded in 1985 and has operations in the United States, Canada, the United Kingdom and Taiwan servicing a worldwide market.

Reviews

Share your experiences using StarTech.com products, including product applications and setup, what you love about the products, and areas for improvement.

StarTech.com Ltd.

45 Artisans Cres.
London, Ontario
N5V 5E9
Canada

FR: startech.com/fr
DE: startech.com/de

StarTech.com LLP

2500 Creekside Pkwy.
Lockbourne, Ohio
43137
U.S.A.

ES: startech.com/es
NL: startech.com/nl

StarTech.com Ltd.

Unit B, Pinnacle
15 Gowerton Rd.,
Brackmills
Northampton
NN4 7BW
United Kingdom

IT: startech.com/it
JP: startech.com/jp