

## DS-D5032FC 32" LED Monitor

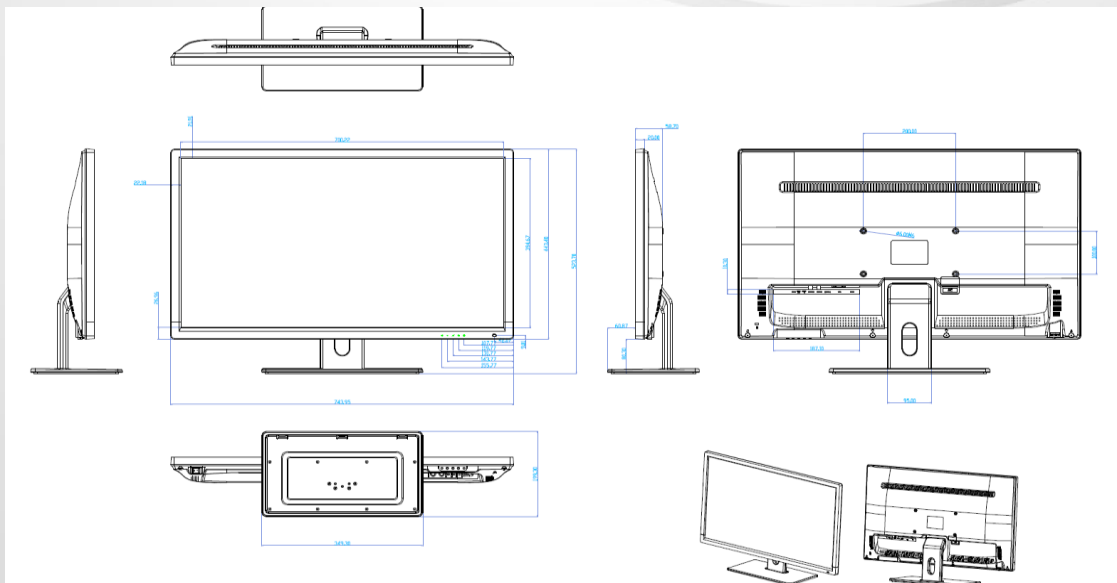
### key Features

- Support 8bit/10bit 2-ch LVDS(1920×1080) HD display;
- Adopt 3-D digital comb filter;
- True color OSD and user-friendly operation menu;
- 1 channel HDMI 1.3 input interface, support HDCP 1.2;
- Adopt 3D noise reduction technology;
- Support high definition JPEG decoding;
- Programmable 12-bit RGB gamma correction technology;
- Support software spread-spectrum technology to reduce EMI radiation;
- Adopt Mstar ACE-5 auto color and image enhancement engine, improve image contrast, detail and edge;

### Model:

DS-D5032FC

### Dimension:



# DS-D5032FC 32" LED Monitor



<b>Model</b>	<b>DS-D5032FC</b>	
<b>Display Type</b>	TFT-LED Backlight	
<b>Screen Size</b>	32"	
<b>Dot Pitch (H×V)</b>	0.36375mm×0.36375mm	
<b>Resolution</b>	1920x1080	
<b>Brightness</b>	300cd/m <sup>2</sup>	
<b>Contrast</b>	3000:1	
<b>Response Time</b>	6.5ms	
<b>Color</b>	16.7 M	
<b>Viewable Area (H×V)</b>	698.40 mm x392.85mm	
<b>Viewing Angle</b>	Horizontal 178°, Vertical 178°	
<b>Interfaces</b>	HDMI Input	1
	VGA Input	1
	BNC Input	1
	S-VIDEO Input	1
	BNC Output	1
	PC AUDIO-IN	1
	PC AUDIO-OUT	1
<b>VESA</b>	200mm x 100mm	
<b>Power Supply</b>	100 ~ 240V AC, 50/60Hz	
<b>Power Consumption</b>	≤ 65W	
<b>Operation Temperature</b>	5°C ~ 40°C	
<b>Operating Humidity</b>	10%~85% (No Condensation)	
<b>Storage Temperature</b>	-20°C ~ 55°C	
<b>Bezel Material</b>	Plastic	
<b>Bezel Color</b>	Black	
<b>Dimension (W×H×D)</b>	732.4mm×431.9mm×70.6mm	
<b>Weight</b>	10.6Kg(Gross weight) , 8Kg(Net weight)	