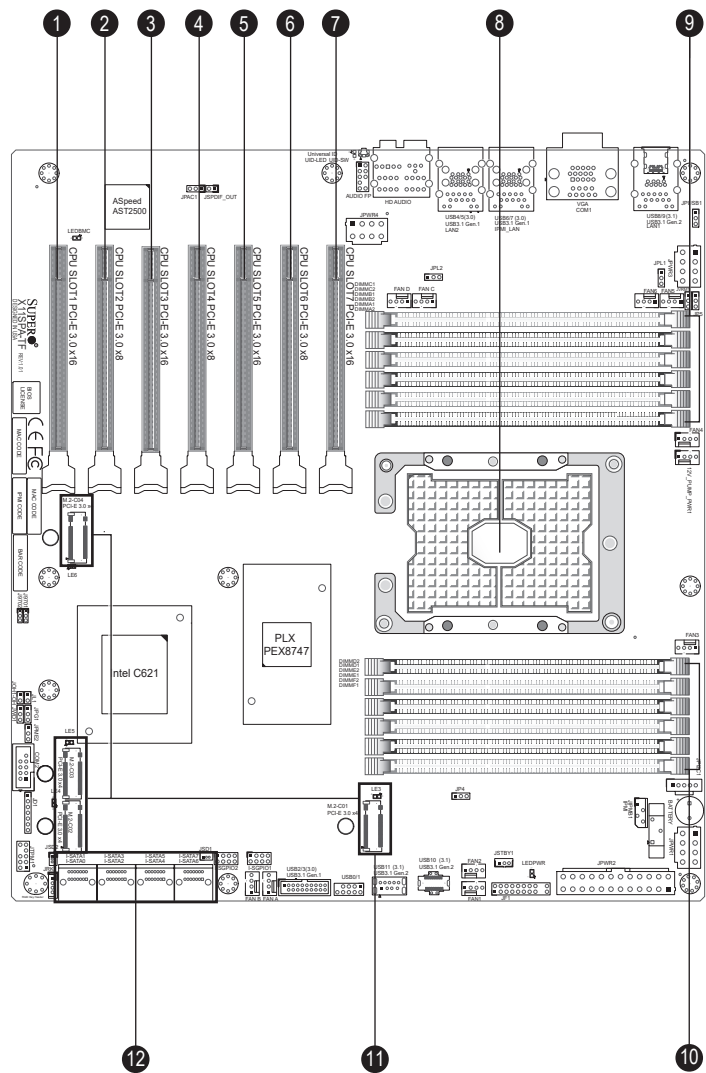


SUPERMICRO® SuperWorkstation 5049A-T Quick Reference Guide

Board Layout

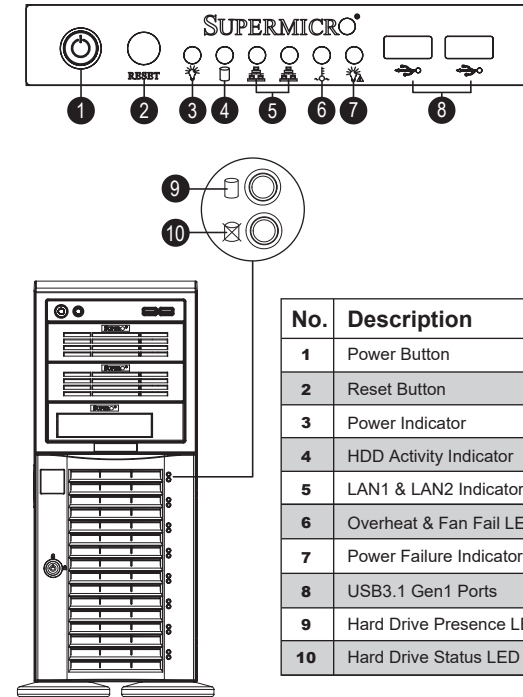


Memory Support

1 CPU, 12-DIMM Slots

Number of DIMMs	Memory Population Sequence
1	DIMMA1
2	DIMMA1, DIMMD1
3	DIMMA1, DIMMB1, DIMMD1
4	DIMMA1, DIMMB1, DIMMD1, DIMME1
5	DIMMA1, DIMMB1, DIMMC1, DIMMD1, DIMME1
6	DIMMA1, DIMMB1, DIMMC1, DIMMD1, DIMME1, DIMMF1
7	DIMMA1, DIMMA2, DIMMB1, DIMMC1, DIMMD1, DIMME1, DIMMF1
8	DIMMA1, DIMMA2, DIMMB1, DIMMC1, DIMMD1, DIMMD2, DIMME1, DIMMF1
9	DIMMA1, DIMMA2, DIMMB1, DIMMB2, DIMMC1, DIMMD1, DIMMD2, DIMME1, DIMMF1
10	DIMMA1, DIMMA2, DIMMB1, DIMMB2, DIMMC1, DIMMD1, DIMMD2, DIMME1, DIMME2, DIMMF1
11	DIMMA1, DIMMA2, DIMMB1, DIMMB2, DIMMC1, DIMMC2, DIMMD1, DIMMD2, DIMME1, DIMME2, DIMMF1
12	DIMMA1, DIMMA2, DIMMB1, DIMMB2, DIMMC1, DIMMC2, DIMMD1, DIMMD2, DIMME1, DIMME2, DIMMF1, DIMMF2

Front view & Interface

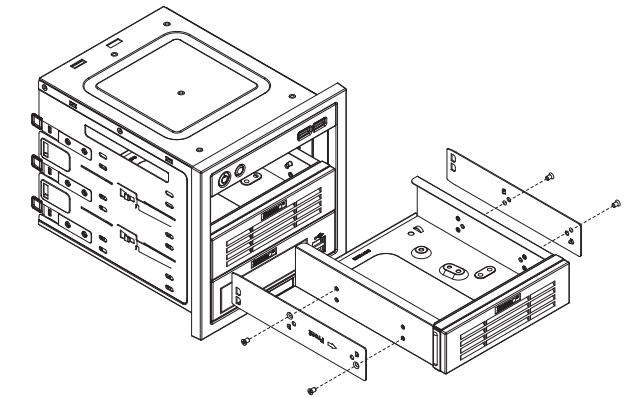


No.	Description
1	Power Button
2	Reset Button
3	Power Indicator
4	HDD Activity Indicator
5	LAN1 & LAN2 Indicator
6	Overheat & Fan Fail LED
7	Power Failure Indicator
8	USB3.1 Gen1 Ports
9	Hard Drive Presence LED
10	Hard Drive Status LED

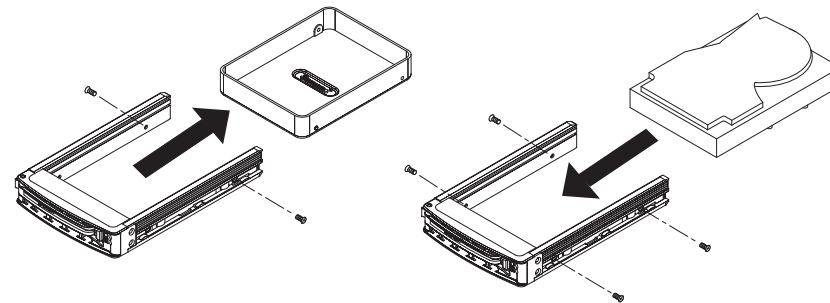
Storage Module

Configuring the Storage Module for 5.25" Devices

1. Remove the 5.25" drive trays from the storage module.
2. Remove the screws and drive tray brackets from the drive trays.
3. Install the 5.25" devices into storage module.
4. Replace the module back into the chassis.
5. Ensure that the storage module is securely locked into position.



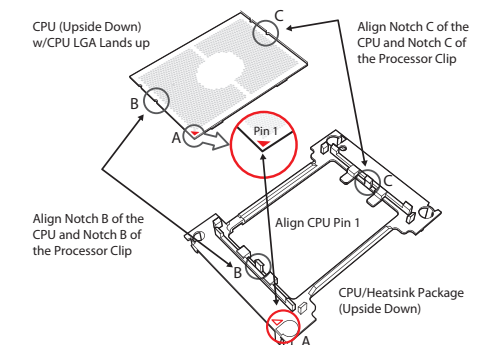
Hard Drives Installation



Installing Hard Drives

1. Remove the screws from the hard drive tray and set them aside for later use.
2. Remove the dummy drive from the hard drive tray.
3. Mount a hard drive into the hard drive tray
4. Replace the screws which were set aside earlier.
5. Install the hard drive into the chassis.
6. Push down the release tab over the newly installed hard drive.
7. Close the hard drive tray door.

CPU Installation



Caution

SAFETY INFORMATION
 IMPORTANT: See installation instructions and safety warning before connecting system to power supply.
http://www.supermicro.com/about/policies/safety_information.cfm

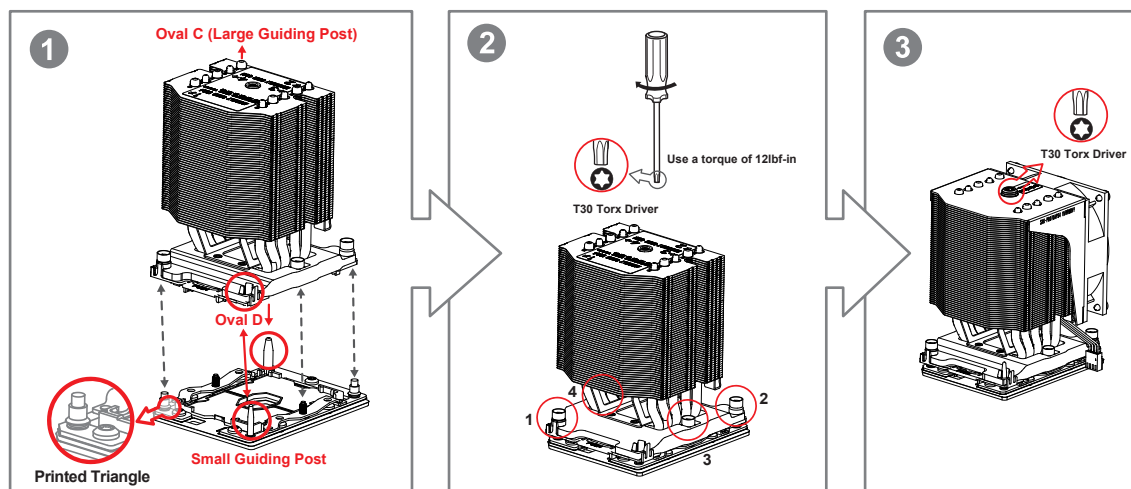
WARNING:
 To reduce risk of electric shock/damage to equipment, disconnect power from server by disconnecting all power cords from electrical outlets.
 If any CPU socket empty, install protective plastic CPU cap

CAUTION:
 Always be sure all power supplies for this system have the same power output. If mixed power supplies are installed, the system will not operate.

For more information go to :
<http://www.supermicro.com/support>

No.	Description	No.	Description
1	CPU Slot1 PCI-E3.0 x16	7	CPU Slot7 PCI-E3.0 x16
2	CPU Slot2 PCI-E3.0 x8	8	CPU
3	CPU Slot3 PCI-E3.0 x16	9	DIMMC1/DIMMC2/DIMMB1/DIMMB2 DIMMA1/DIMMA2 slot
4	CPU Slot4 PCI-E3.0 x8	10	DIMMD2/DIMMD1/DIMME2/DIMME1 DIMMF2/DIMMF1 slot
5	CPU Slot5 PCI-E3.0 x16	11	M.2 M-key slots by PCI-E3.0 x4
6	CPU Slot6 PCI-E3.0 x8	12	I-SATA0-7

Heatsink Installation



Installing Heatsink

1. Mounting the Processor Heatsink Module Into the CPU Socket (on the motherboard)
2. Tighten the screws in the sequence of 1,2,3,4 (side 3 quarter view)
3. Mount the fan module onto the Heatsink Module (direction of the arrow on the fan module should be pointing towards the rear of the chassis)
4. Tighten the single locking screw on the top of the fan module body.

