



75-inch Class 4K UHD Touch Screen LCD Display

TH-75BQ1W

Product specification (design and specification subject to change without notice)

■ DISPLAY PANEL

Screen Size (Diagonal)	75-inch (1892.7mm / 74.6inch)
Panel type / Backlight	IPS / Direct LED
Aspect ratio	16:9
Effective Display Area (W x H)	64.94" x 36.53" (1649.6 mm x 927.9 mm)
Resolution (H x V)	3840 x 2160
Brightness (typ)*1	500 cd/m ²
Contrast Ratio (typ)	1200:1
Dynamic Contrast Ratio	50000:1
Max. Display Colors	Approx. 1.06 Billion
Response Time (typ)	8.0 ms (G to G)
Viewing Angle (Horizontal / Vertical)	178° / 178° (CR > 10)
Panel Life Time*2 (typ)	Approx. 50000 hours

*1 The brightness of display panel not shipping product.

*2 When the panel lifetime is at 50% of the brightness under the condition of 25 degrees Celsius (+/- 2 degrees Celsius).

■ TOUCH PANEL

Detection Method	Infrared blocking detection method
Touch operation	up to 20-point multi touch*
OS	Windows (8.1 / 10) Mac (10.12 / 10.13 / 10.14 / 10.15)

*When using Mac Single touch.

*Windows is trademarks of Microsoft Corporation in the United States and other countries.

Mac, Mac OS X, macOS are trademarks of Apple Inc., registered in the U.S. and other countries.

■ CONNECTION TERMINAL

HDMI IN	HDMI TYPE A connector x 3	Video :Back x 2 - 4K60p supported, Compatible with HDCP 2.2 :Front x 1 - 4k30p supported, Compatible with HDCP 2.2	AUDIO: Linear PCM (Sampling frequency : 48 kHz/44.1 kHz/32 kHz)
DIGITAL Output	HDMI TYPE A connector x 1	Video: 4K(2160p) 60/50Hz, 1080p 60/50Hz selectable	AUDIO: Linear PCM (Sampling frequency : 48 kHz)
Display Port Input	Display Port x 1 (Compatible with HDCP 2.2)		AUDIO: Linear PCM (Sampling frequency : 48 kHz/44.1 kHz/32 kHz)
DVI-D IN	DVI-D 24pin x 1	Compliance with DVI Revision 1.0 Compatible with HDCP 1.4	
PC IN	Mini D-Sub 15-pin (DDC2B) x 1		Y/G : with sync 1.0 V [p-p] (75 Ω) : without sync 0.7 V [p-p] (75 Ω) P _B /C _B /B : without sync 0.7 V [p-p] (75 Ω) P _R /C _R /R : without sync 0.7 V [p-p] (75 Ω) HD/VD : HD/VD TTL (high impedance)
SERIAL IN	D-sub 9-pin x 1, RS-232C Compatible		
AUDIO IN	Stereo Mini Jack (M3) x 2 (Shared with DVI-D IN and PC IN)		0.5 V [rms]
AUDIO OUT	Stereo Mini Jack (M3) x 1 Variable (-∞ - 0 dB) (1 kHz 0 dB Input, 10 kΩ Load)		0.5 V [rms]
LAN	RJ45 x 1 compatible with PLink™ 10BASE-T/100BASE-TX / 1000BASE-T compatible		
USB*	USB Connector (TYPE A) Back x 1 DC 5V/ max. 0.9A (USB3.0 is supported), Front x 2 DC 5V/ max. 0.5A (USB2.0 is supported)		
USB (TOUCH)	USB Connector (TYPE B) x 1		
SLOT	Intel® SDM specification Corresponding size SDM-S / SDM-L, Supply power 3.3 V / 1.1 A, 12 V / 5.5 A		

*Multiple USB Terminals can not be used at the same time by switching the input signal.

*Intel(R) is registered trademark or trademark of Intel Corporation, registered in the U.S. and other countries and regions.

■ AUDIO

Built in Speaker	20 W [10 W + 10 W] 10%THD
External Speaker Out	30 W [15 W + 15 W] 10%THD

■ ELECTRICAL

Power Requirements	AC 110 – 240 V 50 Hz / 60 Hz
Power Consumption	363 W
On Mode Average Power Consumption*	278 W
Power Off Condition	0.3 W
Stand-by Condition	0.5 W
Apparent power	364 VA

*Based on IEC 62087 Ed.2 measurement method

■ MECHANICAL

Dimension (W x H x D) including handles	W 67.6" x H 40.7" x D 4.2" (1716 x 1032 x 107 mm)
not including handles	W 67.6" x H 40.7" x D 3.2" (1716 x 1032 x 81 mm)
Weight	approx. 124.8 lbs (56.6 kg)
Bezel Color	Black
Bezel Width including speaker	T/L/R: 0.65" (16.3mm) B: 2.14" (54.3mm)
not including speaker*	T/B/R/L: 0.65" (16.3 mm)
Carton Dimensions (W x H x D)	74.9" x 48.6" x 11.1" (1900 x 1233 x 280 mm)
Gross Weight	154.4 lbs (70 kg)
Cabinet Color / Material	Front, Back : Metal
Pitch for Wall-Hanging	VESA Compliant W 23.6" x H 15.8" (600 x 400 mm) (Installed by: M8 screws / Screw hole depth 0.49" (15 mm))
Protection Glass	Thickness: approx. 0.12" (3.0 mm) including shatterproof film, Transmittance: 90 %, Anti Glare (Haze 34%)

*Speaker not removable.

UPC Code	885170427143
----------	--------------

MAIN FEATURE

USB Media Player	Yes (4K is supported)
Failover/Failback	Yes
Data Cloning	Yes (USB/LAN)
Digital Zoom	Yes
Multi display settings (Multi input display)	Yes
Power on Screen Delay	Yes
Auto setting	Yes
Screen Saver	Yes
Power Management	Yes (HDMI/DP/DVI-D/PC)
Power save	Yes
Button Lock	Yes
Controller user level	Yes
Input search	Yes
6,12-segment colour management	Yes
Dynamic contrast	Yes
Color enhancement	Yes
Refine enhancer	Yes
Gradation smoother	Yes
Dynamic backlight control	Yes
Set up timer	Yes
Image settings	Yes
HDMI CEC Compatible	Yes
Memory Viewer	Yes
Playlist edit (Remote control operation)	Yes
AMX D.D.	Yes
Crestron Connected™	Yes
WEB Browser control	Yes
PJLink™	Yes
Screen Transfer compatible	Yes
Multi Monitoring & Control Software (Early Warning Software) compatible	Yes
Content management Software compatible	Yes
Auto vertical and horizontal determination (Accelerometer)	Yes
Operating Time*	18h / day
Embedded Whiteboard mode	Yes
External input annotation	Yes
Blue light reduction	Yes
CUD (Color universal design)	Yes
Comparison mode	Yes
Remote control touch operation	Yes

*In case of running for a long time, the moving image is recommended to be displayed. If you display a still picture for an extended period, the image retention might remain on the screen. However, image retention can gradually disappear by displaying a moving images.

INSTALLATION*

Orientation	Landscape / Portrait
Tilting Angle	Landscape : 0 degrees forward, 0-45 degrees backward Portrait : 0 degrees forward / backward

*Please contact your sales representative with regard to the tilt angle before installation.
*When installing the Display vertically, be sure that the Power Indicator comes to the upper side.

ENVIRONMENTAL

Operating Environment*	Temperature :0°C to 40°C (32°F to 104°F)
	Humidity :20% to 80% (No condensation)
	Altitude :0 to 2800 m (0 to 9186 ft)
Storage Environment	Temperature :-20°C to 60°C (-4°F to 140°F)
	Humidity :20% to 80% (No condensation)

*Depending on the temperature or humidity conditions, uneven brightness may be observed. This is not a malfunction.
*This unevenness will disappear while applying current continuously. If not, consult the distributor.

REMOTE CONTROL TRANSMITTER

Power Requirements	DC 3 V (2 x AAA Size batteries)
Operating distance	Approx. 23 ft (7 m)
Weight	Approx. 2.2 oz (63 g) including batteries
Dimensions (W x H x D)	1.9" x 5.3" x 0.8" (48 x 134 x 20 mm)

STANDARD (CERTIFICATIONS)

SAFETY REGULATIONS	ANSI / UL 62368-1:2014, 2nd Edition CAN / CSA-C22.2 No. 62368-1-14, 2nd Edition
RADIATION REGULATIONS	FCC CFR 47, PART15, Subpart B 2015 Class A ANSI C63.4-2014 ICES-003 Issue6 : 2016

INCLUDED ACCESSORIES

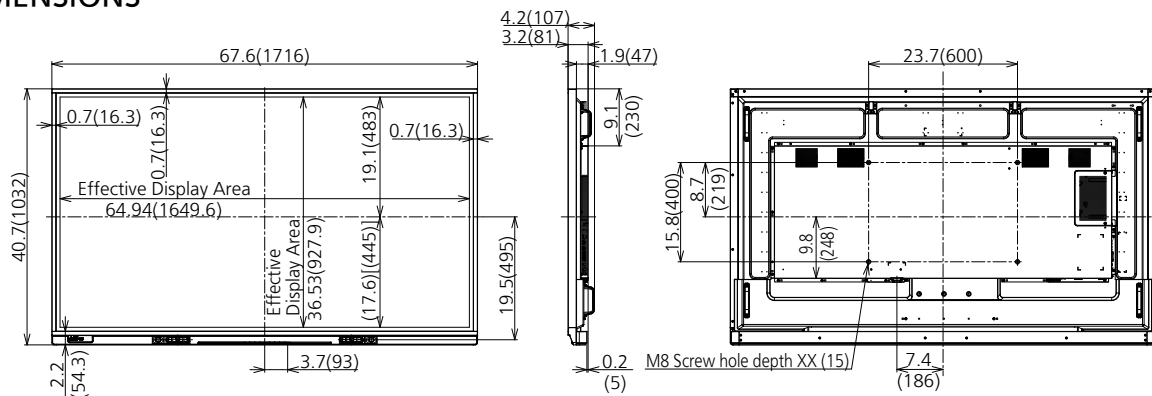
- Remote Control x 1 - Batteries (AAA size) x 2
- AC cord (approx. 79" (2.0 m))
- USB cable (approx. 118" (3.0 m)) - Pen x 2 - Eraser x 1
- Clamper x 3 - SLOT adapter x 1 - CD-ROM / User Manual
- Application guide x 1 - Corner pad x 2 (Left x1, Right x 1)
- Operating Instruction Book

OPTIONAL ACCESSORIES

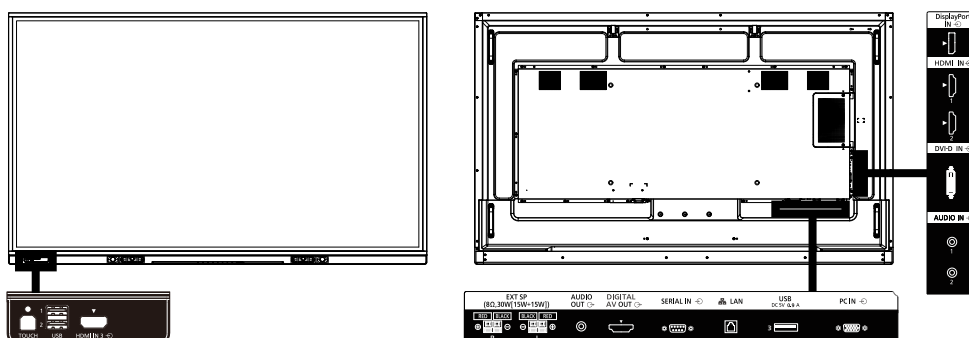
Early Warning Software	ET-SWA 100 / 105series
3G-SDI Terminal Board	TY-SB01SS

DIMENSIONS

Units : inches (mm)



CONNECTION TERMINAL



List of correspondence signals

The picture signal which can indicate this machine is as it is the following table.

- Specific HDMI signals inside the plug and play compatible signal table are as it follows.
1 : 4K/60p (HDR), 2 : 4K/60p (SDR), 3 : 4K/30p, 4 : 2K

Correspondence signal	Resolution (dot)	Scan rate		Dot clock rate (MHz)	Format ²	Plug and play compatible signal ¹⁴						
		Horizontal (kHz)	Vertical (Hz)			HDMI 1/2				HDMI 3	DP	DVI-D/PC
						1	2	3	4			
480/60i	720 x 480i	15.73	59.94	13.50	Y	-	-	-	-	-	-	-
480/60i	720 (1440) x 480i ¹¹	15.73	59.94	27.00	D/H/H3	○	○	○	○	○	-	-
576/50i	720 (1440) x 576i ¹¹	15.63	50.00	27.00	D/H/H3	○	○	○	○	○	-	-
480/60p	720 x 483	31.47	59.94	27.00	Y/D/H/H3/DP	○	○	○	○	○	-	-
576/50p	720 x 576	31.25	50.00	27.00	Y/D/H/H3/DP	○	○	○	○	○	-	-
720/60p	1280 x 720	45.00	60.00	74.25	Y/D/H/H3/DP	○	○	○	○	○	-	-
720/50p	1280 x 720	37.50	50.00	74.25	Y/D/H/H3/DP	○	○	○	○	○	-	-
1080/60i	1920 x 1080i	33.75	60.00	74.25	Y/D/H/H3/DP	○	○	○	○	○	-	-
1080/50i	1920 x 1080i	28.13	50.00	74.25	Y/D/H/H3/DP	○	○	○	○	○	-	-
1080/24p	1920 x 1080	27.00	24.00	74.25	Y/D/H/H3/DP	○	○	○	○	○	-	-
1080/24PsF	1920 x 1080i	27.00	48.00	74.25	D/H/H3/DP	-	-	-	-	-	-	-
1080/25p	1920 x 1080	28.13	25.00	74.25	Y/D/H/H3/DP	○	○	○	○	○	-	-
1080/30p	1920 x 1080	33.75	30.00	74.25	Y/D/H/H3/DP	○	○	○	○	○	-	-
1080/60p	1920 x 1080	67.50	60.00	148.50	Y/D/H/H3/DP	○	○	○	○	○	-	-
1080/50p	1920 x 1080	56.25	50.00	148.50	Y/D/H/H3/DP	○	○	○	○	○	-	-
2K/24p	2048 x 1080	27.00	24.00	74.25	D/H/H3/DP	-	-	-	-	-	-	-
2K/25p	2048 x 1080	28.13	25.00	74.25	D/H/H3/DP	-	-	-	-	-	-	-
2K/30p	2048 x 1080	33.75	30.00	74.25	D/H/H3/DP	-	-	-	-	-	-	-
2K/48p	2048 x 1080	54.00	48.00	148.50	D/H/H3/DP	-	-	-	-	-	-	-
2K/60p	2048 x 1080	67.50	60.00	148.50	D/H/H3/DP	-	-	-	-	-	-	-
2K/50p	2048 x 1080	56.25	50.00	148.50	D/H/H3/DP	-	-	-	-	-	-	-
3840 x 2160/24p	3840 x 2160	54.00	24.00	297.00	H/H3/DP	○	○	○	-	-	○	-
3840 x 2160/25p	3840 x 2160	56.25	25.00	297.00	H/H3/DP	○	○	○	-	-	○	-
3840 x 2160/30p	3840 x 2160	67.50	30.00	297.00	H/H3/DP	○	○	○	-	-	○	-
3840 x 2160/60p	3840 x 2160	135.00	60.00	594.00	H/DP	○	○	-	-	-	○	-
3840 x 2160/50p	3840 x 2160	112.50	50.00	594.00	H/DP	○	○	-	-	-	○	-
4096 x 2160/24p	4096 x 2160	54.00	24.00	297.00	H/H3/DP	○	○	○	-	-	○	-
4096 x 2160/25p	4096 x 2160	56.25	25.00	297.00	H/H3/DP	○	○	○	-	-	○	-
4096 x 2160/30p	4096 x 2160	67.50	30.00	297.00	H/H3/DP	○	○	○	-	-	○	-
4096 x 2160/60p	4096 x 2160	135.00	60.00	594.00	H/DP	○	○	-	-	-	○	-
4096 x 2160/50p	4096 x 2160	112.50	50.00	594.00	H/DP	○	○	-	-	-	○	-
640 x 400/70	640 x 400	31.47	70.09	25.18	R/D/H/H3/DP	-	-	-	-	-	-	-
640 x 400/85	640 x 400	37.86	85.08	31.50	R/D/H/H3/DP	-	-	-	-	-	-	-
640 x 480/60	640 x 480	31.47	59.94	25.18	R/D/H/H3/DP	○	○	○	○	○	○	○
640 x 480/67	640 x 480	35.00	66.67	30.24	R/D/H/H3/DP	-	-	-	-	-	-	-
640 x 480/73	640 x 480	37.86	72.81	31.50	R/D/H/H3/DP	-	-	-	-	-	-	-
640 x 480/75	640 x 480	37.50	75.00	31.50	R/D/H/H3/DP	-	-	-	-	-	-	-
640 x 480/85	640 x 480	43.27	85.01	36.00	R/D/H/H3/DP	-	-	-	-	-	-	-
800 x 600/56	800 x 600	35.16	56.25	36.00	R/D/H/H3/DP	-	-	-	-	-	-	-
800 x 600/60	800 x 600	37.88	60.32	40.00	R/D/H/H3/DP	○	○	○	○	○	○	○
800 x 600/72	800 x 600	48.08	72.19	50.00	R/D/H/H3/DP	-	-	-	-	-	-	-
800 x 600/75	800 x 600	46.88	75.00	49.50	R/D/H/H3/DP	-	-	-	-	-	-	-
800 x 600/85	800 x 600	53.67	85.06	56.25	R/D/H/H3/DP	-	-	-	-	-	-	-
832 x 624/75	832 x 624	49.72	74.55	57.28	R/D/H/H3/DP	-	-	-	-	-	-	-
852 x 480/60	852 x 480	31.47	59.94	34.24	D/H/H3/DP	-	-	-	-	-	-	-
1024 x 768/50	1024 x 768	39.55	50.00	51.89	D/H/H3/DP	-	-	-	-	-	-	-
1024 x 768/60	1024 x 768	48.36	60.00	65.00	R/D/H/H3/DP	○	○	○	○	○	○	○
1024 x 768/70	1024 x 768	56.48	70.07	75.00	R/D/H/H3/DP	-	-	-	-	-	-	-
1024 x 768/75	1024 x 768	60.02	75.03	78.75	R/D/H/H3/DP	-	-	-	-	-	-	-
1024 x 768/82	1024 x 768	65.55	81.63	86.00	R/D/H/H3/DP	-	-	-	-	-	-	-
1024 x 768/85	1024 x 768	68.68	85.00	94.50	R/D/H/H3/DP	-	-	-	-	-	-	-
1066 x 600/60	1066 x 600	37.64	59.94	53.00	D/H/H3/DP	-	-	-	-	-	-	-
1152 x 864/60	1152 x 864	53.70	60.00	81.62	D/H/H3/DP	-	-	-	-	-	○	○
1152 x 864/70	1152 x 864	63.99	70.02	94.20	R/D/H/H3/DP	-	-	-	-	-	-	-
1152 x 864/75	1152 x 864	67.50	75.00	108.00	R/D/H/H3/DP	-	-	-	-	-	-	-
1152 x 864/85	1152 x 864	77.09	85.00	119.65	R/D/H/H3/DP	-	-	-	-	-	-	-
1152 x 870/75	1152 x 870	68.68	75.06	100.00	R/D/H/H3/DP	-	-	-	-	-	-	-
1280 x 720/60	1280 x 720	44.76	60.00	74.48	R/D/H/H3/DP	-	-	-	-	-	○	○
1280 x 768/50	1280 x 768	39.55	49.94	65.18	R/D/H/H3/DP	-	-	-	-	-	-	-
1280 x 768/60	1280 x 768	47.70	60.00	80.14	R/D/H/H3/DP	-	-	-	-	-	-	-
1280 x 768/60	1280 x 768	47.78	59.87	79.50	R/D/H/H3/DP	-	-	-	-	-	-	-
1280 x 800/50	1280 x 800	41.20	50.00	68.56	R/D/H/H3/DP	-	-	-	-	-	-	-
1280 x 800/60	1280 x 800	49.31	59.91	71.00	R/D/H/H3/DP	-	-	-	-	-	-	-
1280 x 800/60	1280 x 800	49.70	59.81	83.50	R/D/H/H3/DP	-	-	-	-	-	○	○
1280 x 960/60	1280 x 960	60.00	60.00	108.00	R/D/H/H3/DP	-	-	-	-	-	-	-
1280 x 960/85	1280 x 960	85.94	85.00	148.50	R	-	-	-	-	-	-	-
1280 x 1024/60	1280 x 1024	63.98	60.02	108.00	R/D/H/H3/DP	○	○	○	○	○	○	○
1280 x 1024/75	1280 x 1024	79.98	75.02	135.00	R/D/H/H3/DP	-	-	-	-	-	-	-
1280 x 1024/85	1280 x 1024	91.15	85.02	157.50	R/D/H/H3/DP	-	-	-	-	-	-	-
1360 x 768/60	1360 x 768	47.71	60.02	85.50	D/H/H3/DP	-	-	-	-	-	-	-
1360 x 768/60	1360 x 768	47.70	60.00	84.72	D/H/H3/DP	-	-	-	-	-	-	-
1360 x 768/60	1360 x 768	47.72	59.80	84.75	D/H/H3/DP	-	-	-	-	-	-	-
1366 x 768/50	1366 x 768	39.55	50.00	69.92	D/H/H3/DP	-	-	-	-	-	-	-
1366 x 768/60	1366 x 768	48.39	60.03	86.71	R/D/H/H3/DP	-	-	-	-	-	-	-
1366 x 768/60	1366 x 768	48.00	60.00	72.00	R/D/H/H3/DP	-	-	-	-	-	-	-
1366 x 768/50	1366 x 768	39.56	49.89	69.00	R/D/H/H3/DP	-	-	-	-	-	-	-
1366 x 768/60	1366 x 768	47.71	59.79	85.50	R/D/H/H3/DP	-	-	-	-	-	-	-
1400 x 1050/60	1400 x 1050	65.22	60.00	122.61	D/H/H3/DP	-	-	-	-	-	-	-

Correspondence signal	Resolution (dot)	Scan rate		Dot clock rate (MHz)	Format*2	Plug and play compatible signal*4						
		Horizontal (kHz)	Vertical (Hz)			HDMI 1/2				HDMI 3	DP	DVI-D/PC
						1	2	3	4			
1400 x 1050/75	1400 x 1050	82.20	75.00	155.85	R/D/H/H3/DP	-	-	-	-	-	-	-
1440 x 900/60	1440 x 900	55.47	59.90	88.75	R/D/H/H3/DP	-	-	-	-	-	-	-
1440 x 900/60	1440 x 900	55.92	60.00	106.47	R/D/H/H3/DP	-	-	-	-	-	-	-
1600 x 900/50	1600 x 900	46.30	50.00	97.05	D/H/H3/DP	-	-	-	-	-	-	-
1600 x 900/60	1600 x 900	60.00	60.00	108.00	D/H/H3/DP	-	-	-	-	-	-	-
1600 x 900/60	1600 x 900	55.99	59.95	118.25	D/H/H3/DP	-	-	-	-	-	-	-
1600 x 900/60	1600 x 900	55.92	60.00	119.00	D/H/H3/DP	-	-	-	-	-	○	○
1600 x 1200/60	1600 x 1200	75.00	60.00	162.00	R/D/H/H3/DP	-	-	-	-	-	-	-
1680 x 1050/60	1680 x 1050	65.29	59.95	146.25	R/D/H/H3/DP	-	-	-	-	-	-	-
1920 x 1080/60	1920 x 1080 ³	66.59	59.93	138.50	R/D/H/H3/DP	-	-	-	-	-	-	-
1920 x 1080/60	1920 x 1080	67.50	60.00	148.50	R/D/H/H3/DP	○	○	○	○	○	○	○
1920 x 1200/60	1920 x 1200	74.04	59.95	154.00	R/D/H/H3/DP	○	○	○	○	○	○	○
1920 x 2160/60	1920 x 2160	133.29	59.99	277.25	H/H3/DP	-	-	-	-	-	-	-
1920 x 2160/60	1920 x 2160	135.00	60.00	297.00	H/H3/DP	-	-	-	-	-	-	-
2560 x 1440/60	2560 x 1440	88.79	59.95	241.50	H/H3/DP	-	-	○	-	○	○	-
2560 x 1600/50	2560 x 1600	82.37	49.95	286.00	H/H3/DP	-	-	-	-	-	-	-
2560 x 1600/60	2560 x 1600	98.71	59.97	268.50	H/H3/DP	-	-	-	-	-	-	-
3840 x 1080/60	3840 x 1080	66.63	59.97	266.50	H/H3/DP	-	-	-	-	-	-	-
3840 x 2160/60	3840 x 2160	133.31	60.00	533.25	H/DP	-	-	-	-	-	○	-
3840 x 2160/30	3840 x 2160	65.69	29.98	262.75	H/H3/DP	-	-	-	-	-	○	-

*1 : Pixel-Repetition signal (dot clock frequency 27.0 MHz) only
 *2 : Signals to represent formats are as follows.

- R : D-sub RGB (PC IN)
- Y : YCbCr/YpPr (PC IN)
- D : DVI-D (DVI-D IN)
- H : HDMI (HDMI 1, HDMI 2)
- H3 : HDMI (HDMI 3)
- DP : Display Port (Display Port)

*3 : Based on VESA CVT-RB (Reduced Blanking) standard

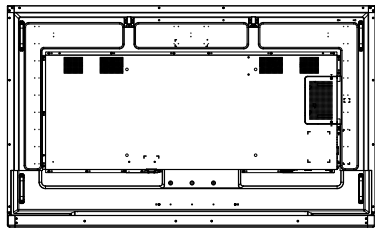
*4 : Signals with ○ in the Plug and Play-supported signal column are the ones written in EDID (Extended Display Identification Data) of this unit.
 For signals without ○ in the Plug and Play-supported signal column, resolutions may not be selected on the PC side even if this unit supports those signals.

Note

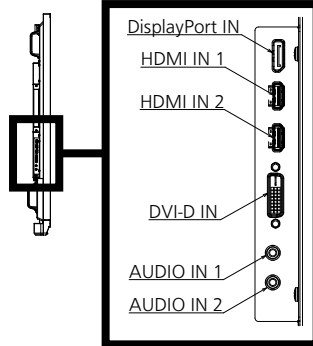
- An auto detected signal format may be differently displayed from the actual input signal.
- [i] shown after the number of dots of resolution means the interlace signal.
- When 1080/30PsF signal and 1080/25PsF signal are input, they are processed as 1080/60i signal and 1080/50i signal, and then displayed.
- When a 1920 x 2160/60 signal (dot clock frequency 297.00 MHz) is input Display as 3840 x 2160 / 60p.

Drawing of terminals

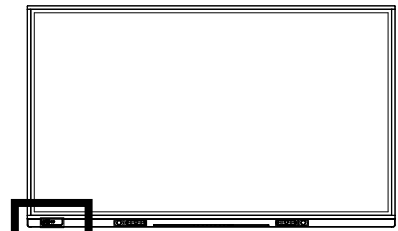
View from back



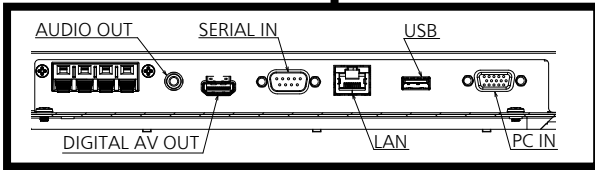
Magnified figure of terminal b



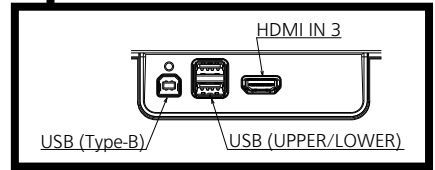
View from Front



Magnified figure of terminal a

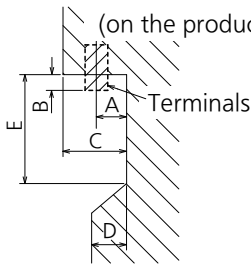


Magnified figure of terminal c



Sectional view of terminal a

(AUDIO OUT / DIGITAL AV OUT / SERIAL IN / LAN / USB / PC IN)



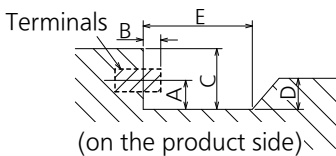
Terminal a 75BQ1W Terminal (Bottom)

Units : inch (mm)

	AUDIO OUT	DIGITAL AV OUT	SERIAL IN	LAN	USB	PC IN
A	0.58 (14.8)	0.45 (11.6)	0.57 (14.6)	0.59 (15.0)	X.XX (13.8)	0.50 (12.7)
B	0.11 (2.7)	—	0.21 (5.2)	—	—	0.21 (5.3)
C	1.13 (28.8)					
D	0.45 (11.6)					
E	3.04 (77.4)					

Sectional view of terminal b

(DisplayPort / HDMI IN / DVI-D IN / AUDIO IN 1 / AUDIO IN 2)



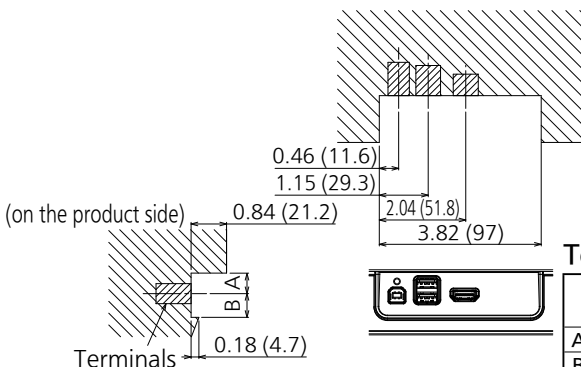
Terminal b 75BQ1W Terminal (Side)

Units : inch (mm)

	DisplayPort	HDMI IN	DVI-D IN	AUDIO IN
A	0.36 (9.3)	0.45 (11.6)	0.42 (10.8)	0.58 (14.8)
B	—	—	0.23 (5.8)	0.10 (2.7)
C	1.13 (28.8)			
D	0.24 (6.0)			
E	3.67 (93.4)			

Sectional view of terminal c

(USB (Type-B) / USB (LOWER) / USB (UPPER) / HDMI IN 3)



Terminal c 75BQ1W Terminal (Front)

Units : inch (mm)

	USB (Type-B)	USB (LOWER)	USB (UPPER)	HDMI IN
A	0.56 (14.3)	0.61 (15.6)	0.27 (7.1)	0.55 (14.0)
B	0.48 (12.2)	0.43 (10.9)	0.77 (19.4)	0.49 (12.5)

*Due to the construction of terminal, some types of connecting cable or USB memory device cannot be used. Be sure to use connecting cable or USB memory device after confirmation in this drawing.