

1 Safety and General Information



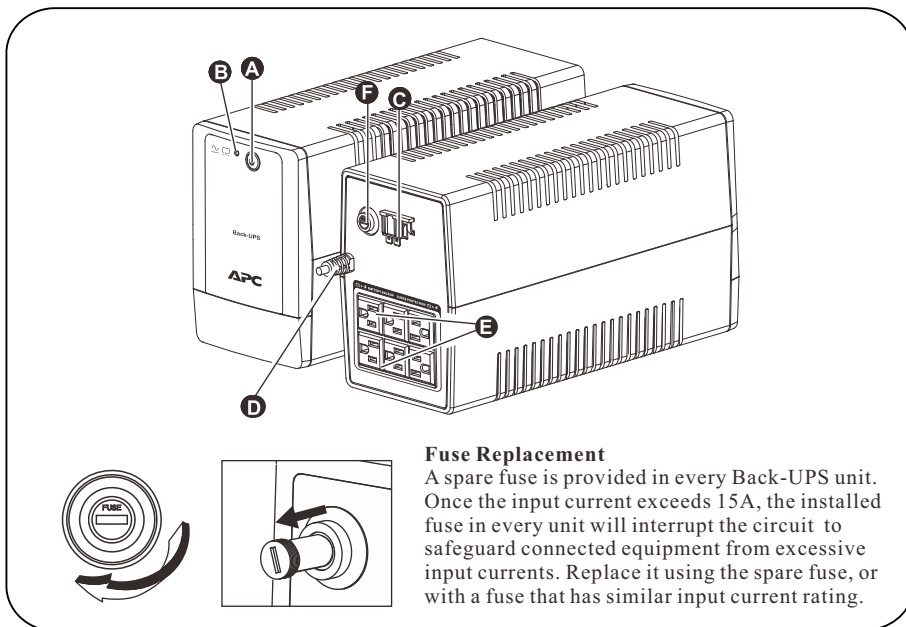
Inspect the package contents upon receipt. Notify the carrier and dealer if there is any damage.

SAVE THESE INSTRUCTIONS -This manual contains important instructions that should be followed during installation and maintenance of the UPS and batteries

- This UPS is intended for indoor use only.
- Connect the UPS power cable directly to a wall outlet. Do not use surge protectors or extension cords.
- When grounding cannot be verified, disconnect the equipment from the AC power outlet before installing or connecting to other equipment. Reconnect the power cord after all connections are made.
- Servicing of batteries should be performed by Schneider Electric IT (SEIT) Customer Support only.
- Do not dispose of batteries in a fire. The batteries may explode.
- Do not open batteries. They contain an electrolyte that is toxic and harmful to the skin and eyes.

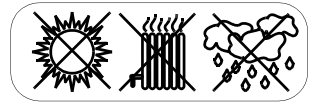
3 Features

- A** ON/OFF button
- B** LED status indicator
- C** Battery connector
- D** AC power inlet
- E** Battery and surge protected outlets
- F** Fuse



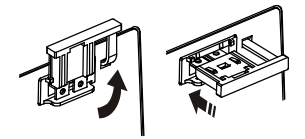
2 Placement and Powering On

- Place the Back-UPS to avoid:
 - Direct sunlight
 - Excessive heat
 - Excessive moisture



For safety, please place the unit on the floor.

- Connect the battery by pulling the battery handle up, and then pushing it into the unit.
- Plug the Back-UPS power cord directly into a wall outlet, not into a surge protector or power strip.
- Press the ON/OFF button to turn the unit on. The green "Power On" indicator confirms that the Back-UPS is on and ready to provide protection. The Back-UPS should charge for at least 6 hours to ensure sufficient runtime. The unit is being charged whenever it is connected to AC power, whether the unit is turned ON or OFF.



4 Specifications

| | | |
|-------------------|---|--|
| Input | Voltage / Frequency | 120 VAC / 60 Hz |
| | Brownout Transfer / Over-voltage Transfer | 89VAC, typical / 145VAC, typical |
| Output | UPS Capacity (total) | 1000VA/600W |
| | Voltage On Battery | 120 Vac rms |
| | Frequency - On Battery | 60 Hz ± 1Hz |
| | Transfer Time | 6ms typical |
| Protection | AC Input | Fuse |
| Battery | Type (maintenance-free) | 12V/7AH lead acid |
| | Average Life | The battery typically lasts for three to five years. Environmental factors impact battery life. Elevated temperatures, high humidity, poor quality mains power, and frequent, short duration discharges will shorten battery life. The battery in the Back-UPS Series is not user-replaceable. Contact SEIT Technical Support for a list of authorized service centers near you. |
| Physical | Typical Recharge Time | 4-6 Hours |
| | Net Weight | 8.2 kg |
| | Dimensions (Hx Wx D) | 18.2 cm x 13.0 cm x 32.0cm |
| EMC | This equipment has been tested and found to comply with the limits for a Class A digital device, pursuant to part 15 of the FCC Rules. These limits are designed to provide reasonable protection against harmful interference when the equipment is operated in a commercial environment. This equipment generates, uses, and can radiate radio frequency energy and, if not installed and used in accordance with the instruction manual, may cause harmful interference to radio communications. Operation of this equipment in a residential area is likely to cause harmful interference in which case the user will be required to correct the interference at his own expense. | |

5 Status Indicators

| LED | Audible Alarm | Condition |
|--------------------------------|-----------------------------------|--|
| On | Off | On-line - The Back-UPS is supplying AC power to the connected equipment |
| | Constant Tone | On Line Overload - The power being used by the connected equipment has exceeded the capacity of the unit. Disconnect some equipment. |
| | Constant beeping | Over-temperature alarm -The unit is overheating and will shut down if the temperature is not lowered. Disconnect some of the connected equipment. |
| On (Off during 4 beeps) | 4 beeps repeated every 30 seconds | On-Battery - The Back-UPS is supplying battery power. |
| Flashing | Rapid Beeping (every 1/2 second) | Low Battery alarm - The Back-UPS has 2 minutes of runtime remaining. |
| | Constant tone | Bad Battery Detected - The battery needs to be charged, or is at end of life. (See <i>Battery Replacement</i> .) |
| Off | Short beep every 4 seconds | Low Battery Shutdown - During On Battery operation the battery power was almost completely exhausted, and the Back-UPS is waiting for AC power to return to normal. |
| | Constant Tone | On Battery Overload - The connected equipment requires more power than provided by the Back-UPS battery. Unplug devices one at a time to remove overload. If the problem is not corrected, contact SEIT Technical Support |
| | Constant Tone | Charger Fault Detected -- Back-UPS has an internal problem, and is no longer powering the load. Contact SEIT Technical Support |
| | Long beep every 4 seconds | Over-temperature Protected - The Back-UPS has overheated and has shut down. Unplug connected devices one at a time or wait for a few hours for system to cool down. |

6 Operational Features

Automatic Voltage Regulation (AVR)

Automatic Voltage Regulation boosts/trims the AC voltage when it drops/exceeds safe levels. This allows the equipment plugged into the unit to operate during low/high voltage conditions, conserving the battery power in the event of a power cut. The Back-UPS will switch to battery power if the input voltage level becomes too low/high for the Automatic Voltage Regulation to compensate, or if the AC power is distorted.

Troubleshooting and Service

- If the problem persists, contact Schneider Electric IT (SEIT) Customer Support through the APC by Schneider Electric Web site, www.apc.com.
 - Note the model number and serial number and the date of purchase. The model and serial numbers are located on the rear panel of the unit and are available through the LCD display on select models.
 - Call SEIT Customer Support and a technician will attempt to solve the problem over the phone. If it is not possible, the technician will issue a Returned Material Authorization Number (RMA#).
 - If the unit is under warranty, the repairs are free.
 - Service procedures and returns may vary internationally. Refer to the APC by Schneider Electric Web site for country specific instructions.
- Prepare to troubleshoot the problem over the phone. If this is not successful, and the unit is still under warranty, the SEIT Technical Support Representative will provide all necessary information to return the unit for replacement.

APC by Schneider Electric IT Customer Support Worldwide

For country specific customer support, go to the APC by Schneider Electric Web site, www.apc.com.

Warranty

Register your product on-line. <http://warranty.apc.com>

Schneider Electric IT (SEIT) warrants its products to be free from defects in materials and workmanship for a period of two years from the date of purchase. SEIT obligation under this warranty is limited to repairing or replacing, at its sole discretion, any such defective products. This warranty does not apply to battery wear from use, equipment that has been damaged by accident, negligence or misapplication or has been altered or modified in any way. SEIT standard procedure is to replace the original unit with a factory reconditioned unit. Customers who must have the original unit back due to the assignment of asset tags and set depreciation schedules must declare such a need at first contact with an SEIT Technical Support representative. SEIT will ship the replacement unit once the defective unit has been received by the repair department, or cross ship upon the receipt of a valid credit card number. The customer pays for shipping the unit to SEIT. SEIT pays ground freight transportation costs to ship the replacement unit to the customer. For full warranty information refer to www.apc.com.