

# 4XEM Wall Mount Series

Wall Mounted Cabinet

4XEM wall mount series are designed with tempered glass front door is specifically constructed for small businesses, home offices, restaurants, classrooms, or IT professionals.



## ■ Highlights

### High Loading Capacity

Welded frame,static loading capacity up to 45kgs.

### Exquisite Appearance Design

Frameless front door design with tempered glass, meet customer's variety of choices.

### Cost Effective

Competitive price with satisfied quality.

## ■ Features



■ Turning angle of front door is over 180 degrees.



■ Cable entry on both of top cover and bottom panel.

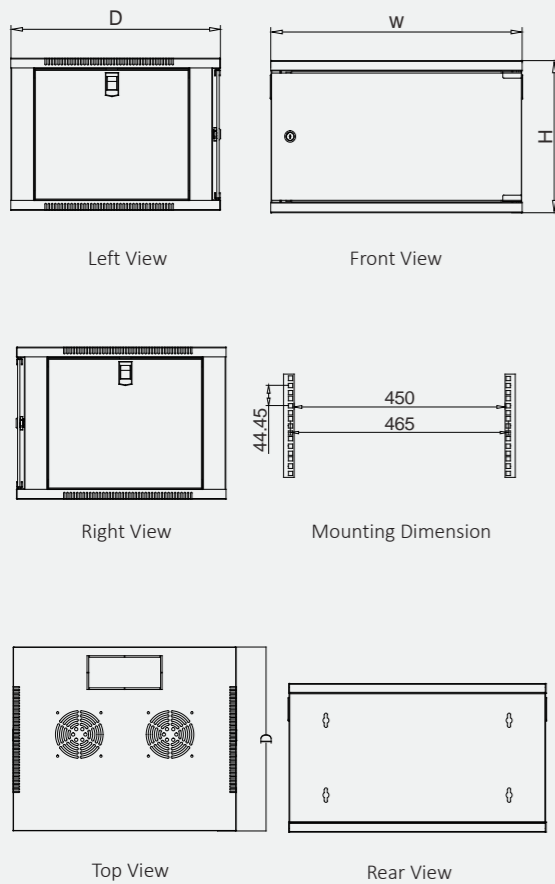


■ 120mm\*120mm fan holes on the top cover.

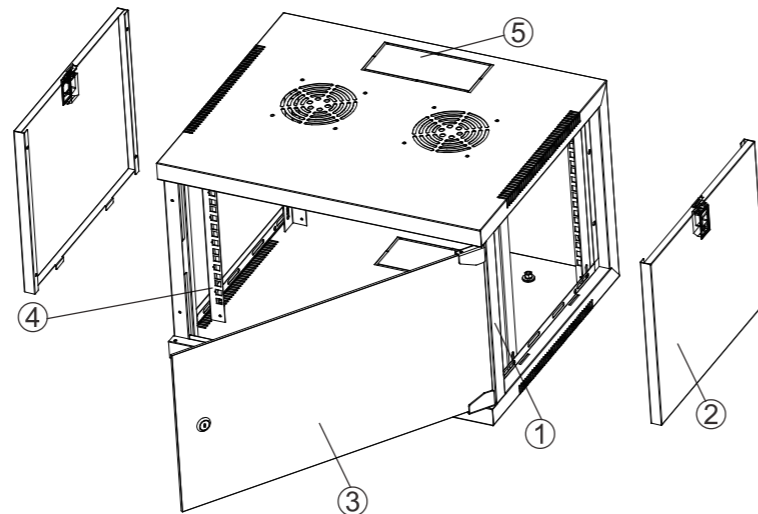


■ Removable side panels simplify your installation of accessories and monitoring of IT equipment.

■ Main Dimension



Components of wall mount Series Wall Mounted Cabinet



| S/N | Name          | Quantity |
|-----|---------------|----------|
| 1   | Frame         | 1        |
| 2   | Side panel    | 2        |
| 3   | Front door    | 1        |
| 4   | Vertical rail | 4        |
| 5   | Cable entry   | 2        |

■ Specifications

| Model      | Capacity (U) | Dimension W*D*H(mm) | BU Packing Dimension |              |
|------------|--------------|---------------------|----------------------|--------------|
|            |              |                     | W*D*H(mm)            | Volume (CBM) |
| 4XRACK6UD  | 6            | 540*600*310         | 560*620*330          | 0.115        |
| 4XRACK9UD  | 9            | 540*600*445         | 560*620*460          | 0.160        |
| 4XRACK12UD | 12           | 540*600*580         | 560*620*600          | 0.208        |
| 4XRACK15UD | 15           | 540*600*710         | 560*620*730          | 0.253        |

|                 |   |         |
|-----------------|---|---------|
| <b>Note</b>     | Package: Build-up(BU)                                     |         |
|                 | Hardware: ≤12U:12 sets cage nuts; >12U:24 sets cage nuts. |         |
| <b>Color</b>    | RAL9005   | RAL7035 |
| <b>Material</b> | SPCC Cold Rolled Steel.                                   |         |

**Note:** Other regular 19 inch accessories which is used to all racks (shelf, cable manager, fans, blank panel, patch panel and PDU), please refer to page 99 to page 112.

# 4XEM Wall Mount Series

Wall Mounted Cabinet

4XEM wall mount series with double-bit lock is ideal for households, schools, supermarkets, stations and other public places for high security need, to keep equipment such as CCTV control and storage in safe.

