

# Smart Signage User Manual (By Model)

This manual provides information about your Smart Signage including supported types and product specifications per model.

---

## QP82R-8K

---

The color and the appearance may differ depending on the product, and the content in the manual is subject to change without prior notice to improve the performance.

Recommended hours of use per day of this product is under 16 hours.

If the product is used for longer than 16 hours a day, the warranty may be void.

---

# Table of contents

## Preparations

Checking the Components	3
Parts	4
Ports	5
One Connect	5
Connecting the product to the One Connect	6
Before Installing the Product (Installation Guide)	7
Tilting Angle and Rotation	7
Ventilation	7
Installing the Wall Mount	8
Preparing before installing Wall-Mount	8
Installing the Wall Mount	8
Wall Mount Kit Specifications (VESA)	9
Attaching the Stand	10

## Specifications

General	11
Preset Timing Modes	12

## Appendix

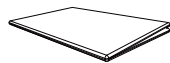
License	13
---------	----

# Chapter 01

## Preparations

### Checking the Components

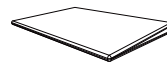
- Contact the vendor where you purchased the product if any components are missing.
- The appearance of the components may differ from the images shown.
- The RS232C adapter can be used to connect to another monitor using the D-SUB (9-pin) type RS232C cable.



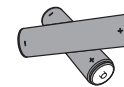
Quick Setup Guide



Warranty card  
(Not available in some locations)



Regulatory guide



Batteries (AAA x 2)  
(Not available in some locations)



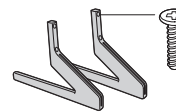
Remote Control



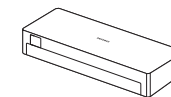
RS232C adapter



Holder-Ring (For Wall Mount) x 4



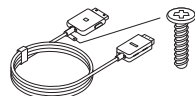
Stand / Screw (M4 x L14)  
x 4



One Connect



One Connect Power Cable



One Invisible Connection  
/ Screw (M4 x L12)

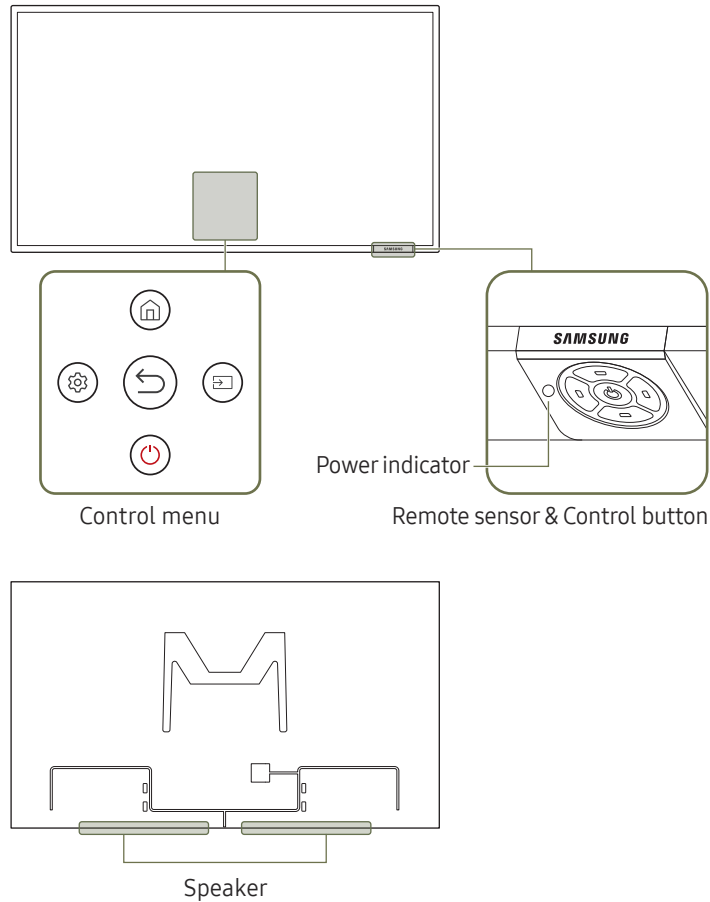


HOLDER-CABLE



Bending Cover

## Parts



The color and shape of parts may differ from what is shown. Specifications are subject to change without notice to improve quality.

Parts	Description
Remote sensor	<p>Press a button on the remote control pointing at the bottom of the product face to perform the function. The remote control sensor is located on the bottom of the product.</p> <p> Using other display devices in the same space as the remote control of this product can cause the other display devices to be inadvertently controlled.</p>
Control button	<ul style="list-style-type: none"> <li>•  <b>button</b>: Turns the product on. <ul style="list-style-type: none"> <li>– Press  button: Display the <b>Control menu</b>. / Select or run a focused item on the menu.</li> <li>– Press and hold  button: The running function is terminated.</li> </ul> </li> <li>• <b>Up/Down/Left/Right Button</b>: Move the menu.</li> <li>• <b>Left/Right Button</b>: Changes the volume.</li> </ul>
Control menu	<ul style="list-style-type: none"> <li>•  <b>Home</b>: Enter <b>MagicInfo</b> or <b>URL Launcher</b> mode.</li> <li>•  <b>Settings</b>: Display the OSD menu.</li> <li>•  <b>Return</b>: Exit the control menu.</li> <li>•  <b>Source</b>: Select the connected input source.</li> <li>•  <b>Power Off</b>: Power off the product.</li> </ul>

Use the remote control within 2.5 m to 4 m from the sensor on the product at an angle of 30° from the left and right.

Store used batteries out of reach of children and recycle.

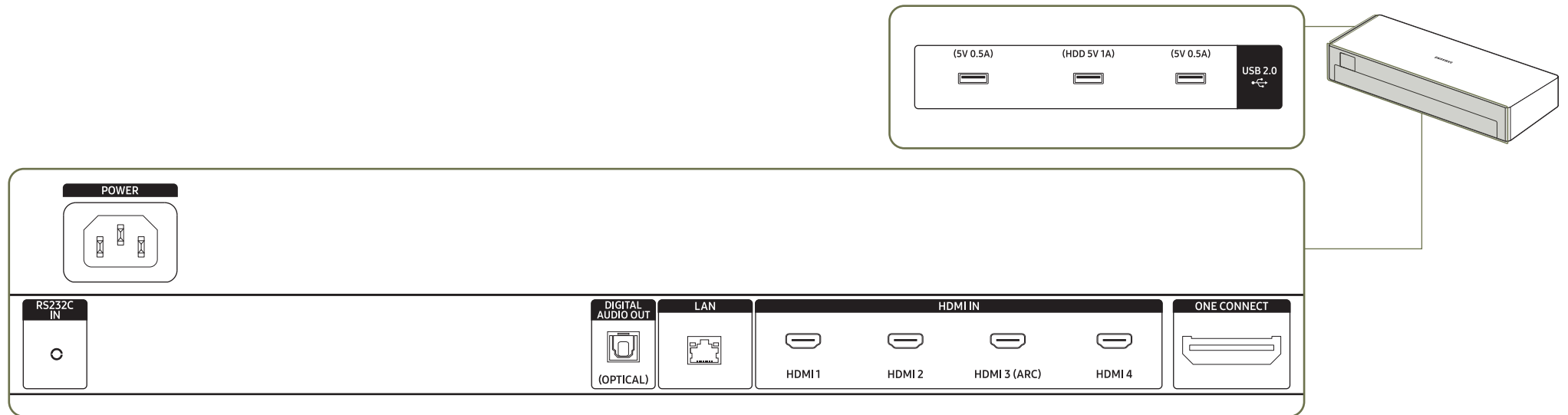
Do not use a new and used battery together. Replace both batteries at the same time.


Remove batteries when the remote control is not to be used for an extended period of time.

# Ports

## One Connect

 The color and shape of parts may differ from what is shown. Specifications are subject to change without notice to improve quality.

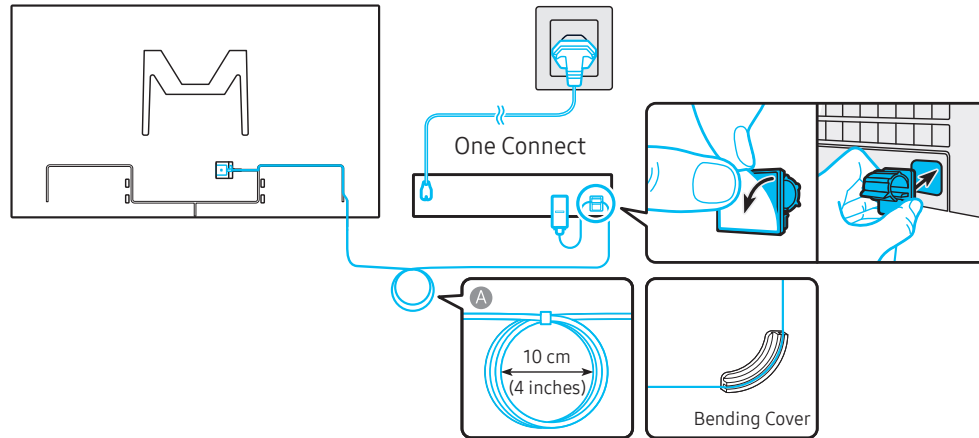


Port	Description
USB 2.0 	Connect to a USB memory device.
POWER	Connect the power cable.
RS232C IN	Connects to MDC using an RS232C adapter.
DIGITAL AUDIO OUT (OPTICAL)	Connects to a audio device using the optical(digital) cable.

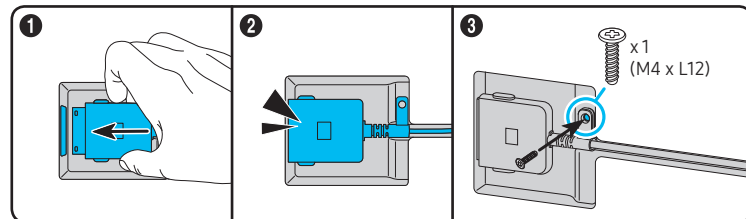
Port	Description
LAN	<ul style="list-style-type: none"> <li>Connect to a network using the LAN cable. (10/100 Mbps)</li> <li>Connect to MDC using the LAN cable.</li> </ul>
HDMI IN	Connects to a source device using a HDMI cable or HDMI-DVI cable.
ONE CONNECT	Use the provided One Invisible Connection to connect the product and One Connect.

# Connecting the product to the One Connect

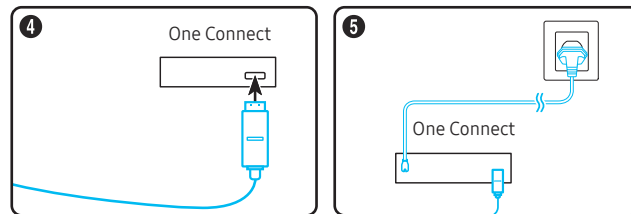
QP82R-8K



QP82R-8K



One Connect



Connect the product and One Connect referring to the image.

- 1 Following the steps 1-4 in the image, use One Invisible Connection to connect the product and One Connect.
- 2 Use the power cable to connect One Connect to a wall outlet as shown in step 5.



- Do not install the One Connect upside-down or standing upright on one of its sides.
- When connecting the One Invisible Connection, use a Bending Cover to bend the cable. The Bending Cover prevents the cable of the One Invisible Connection from being bent at a 90 degree angle. Bending the cable at a 90 degree angle can damage the cable.
- When connecting the One Invisible Connection, pay attention to the shapes and sizes of its connectors so that they are connected correctly. Failure to do so may cause product malfunction.
- When connecting the One Invisible Connection, be careful not to twist the cable of the One Invisible Connection. Failure to do so may cause performance degradation of the product or damage to the cable.
- When arranging the remaining cable, refer to the figure A for the correct arrangement.
- Take care not to subject the cable to any of the actions below. The One Invisible Connection contains a power circuit. You could damage the cable and subject yourself to an electric shock.



Bending



Twisting



Pulling



Pressing on



Electric shock

CLASS1 LASER PRODUCT (One Invisible Connection)

- Caution - Invisible laser radiation when open. Do not stare into beam.
  - Do not bend the One Invisible Connection cable excessively. Do not cut the cable.
  - Do not place heavy objects on the cable.
  - Do not disassemble either of the cable connectors.
- Caution - Use of controls, adjustments, or the performance of procedures other than those specified herein may result in hazardous radiation exposure.

## Before Installing the Product (Installation Guide)

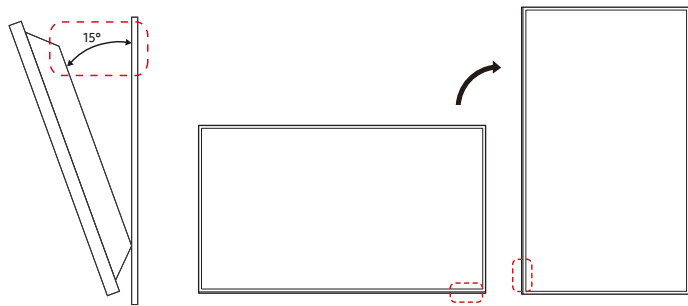
To prevent injury, this apparatus must be securely attached to the floor/wall in accordance with the installation instructions.

- Ensure that an authorized installation company installs the wall mount.
- Otherwise, it may fall and cause personal injury.
- Make sure to install the specified wall mount.

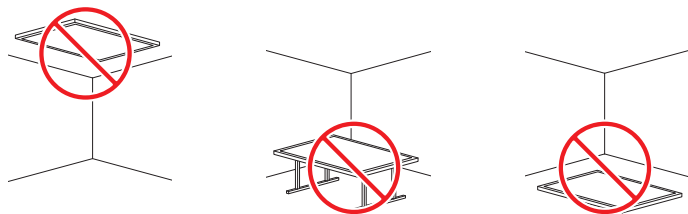
## Tilting Angle and Rotation

Contact Samsung Customer Service Center for further details.

- The product can be tilted at a maximum angle of 15° from a perpendicular wall surface.
- To use the product in Portrait mode, rotate clockwise until the ☺ button is positioned as shown in the images below.



Do not use this model installed on a ceiling, floor, or table.



## Ventilation

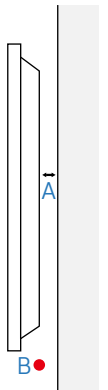
- ✎ Contact Samsung Customer Service Center for further details.
- ✎ Do not install One Connect in an enclosed room. Ensure safe distance from other heat-emitting products. Excessive internal temperatures may cause fire or product malfunction.

## Installation on a Perpendicular Wall

A Minimum 40 mm

B Ambient temperature: Under 35 °C

- ✎ When installing the product on a perpendicular wall, allow at least 40 mm of space between the product and wall surface for ventilation and ensure that the ambient temperature is kept below 35 °C.



## Installation on an Indented Wall

A Minimum 40 mm

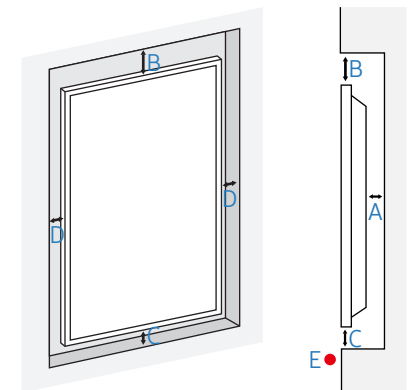
B Minimum 70 mm

C Minimum 50 mm

D Minimum 50 mm

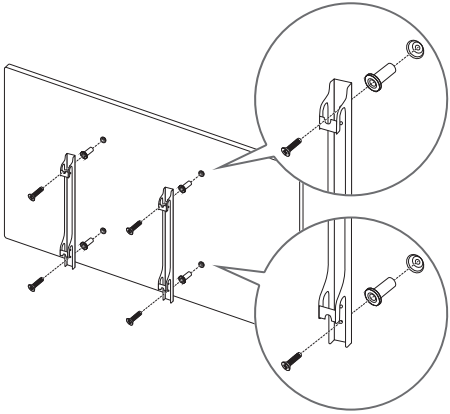
E Ambient temperature: Under 35 °C

- ✎ When installing the product on an indented wall, allow at least the space specified above between the product and wall for ventilation and ensure that the ambient temperature is kept below 35 °C.



---

## Installing the Wall Mount




### Preparing before installing Wall-Mount

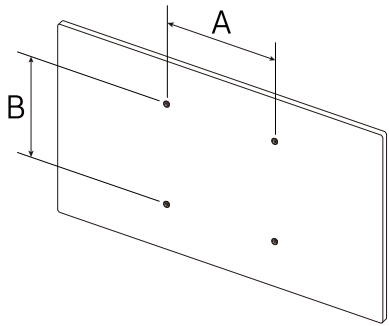
To install a wall-mount from another manufacturer, use the Holder-Ring.

### Installing the Wall Mount

- The wall mount kit (sold separately) allows you to mount the product on the wall.
- The provided image is only for reference. For detailed information on installing the wall mount, see instructions provided with the wall mount.
- We recommend you contact a technician for assistance when installing the wall mount bracket.
- Samsung Electronics is not responsible for any damage to the product or injury to yourself or others if you select to install the wall mount on your own.


## Wall Mount Kit Specifications (VESA)

 Install your wall mount on a solid wall perpendicular to the floor. To install the product on the other wall area, contact the nearest agency. If you install the product on a slanted wall, it may fall and result in severe personal injury.



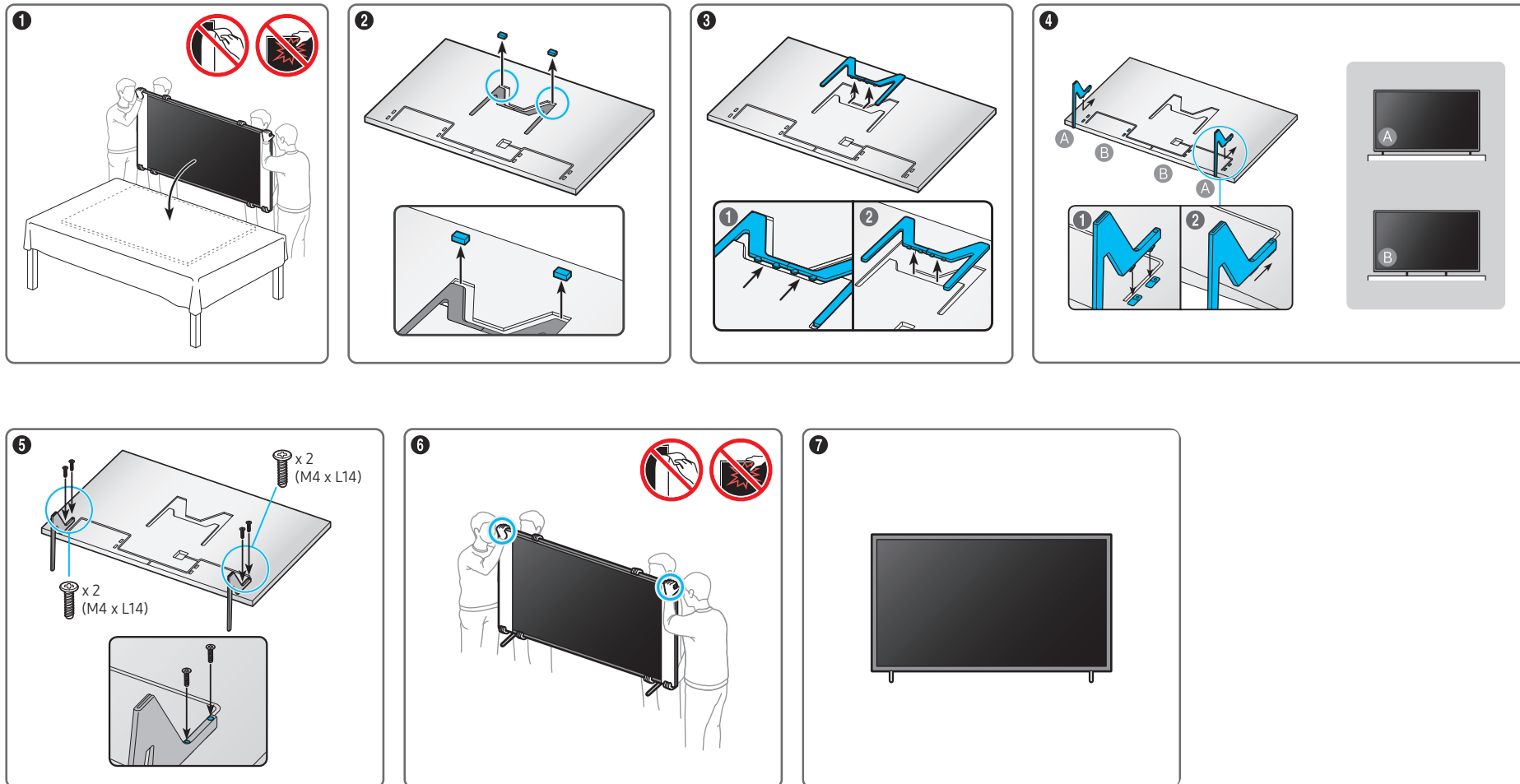
- Samsung wall mount kits contain a detailed installation manual and all parts necessary for assembly are provided.
- Do not use screws that are longer than the standard length or do not comply with the VESA standard screw specifications. Screws that are too long may cause damage to the inside of the product.
- For wall mounts that do not comply with the VESA standard screw specifications, the length of the screws may differ depending on the wall mount specifications.
- Do not fasten the screws too firmly. This may damage the product or cause the product to fall, leading to personal injury. Samsung is not liable for these kinds of accidents.
- Samsung is not liable for product damage or personal injury when a non-VESA or non-specified wall mount is used or the consumer fails to follow the product installation instructions.
- Do not mount the product at more than a 15 degree tilt.
- Always have at least two people mount the product on a wall. (Four or more people for the 82-inch size and larger models.)
- Standard dimensions for wall mount kits are shown in the table below.

Model Name	VESA screw hole specs (A * B) in millimeters	Screw Depth	Standard Screw	Quantity
QP82R-8K	600 x 400	19-21	M8	4

 Do not install your Wall Mount Kit while your product is turned on. It may result in personal injury due to electric shock.

## Attaching the Stand

- You may use the provided stand to install the product vertically.
- Follow the steps below to attach the stand to the product.







# Chapter 02

## Specifications

### General

Model Name		QP82R-8K
Panel	Size	82 CLASS (81.5 inches / 207.1 cm)
	Display area	1805.4 mm (H) x 1015.5 mm (V)
Resolution	Optimum resolution	3840 x 2160 @ 60 Hz
	Maximum resolution	3840 x 2160 @ 60 Hz (HDMI 1, HDMI 2, HDMI 3), 7680 x 4320 @ 60 Hz (HDMI 4)
Power Supply		AC100-240V~ 50/60Hz * Refer to the label at the back of the product as the standard voltage can vary in different countries. * On One Connect models, the label is attached to the bottom of the One Connect.
Environmental considerations	Operating	Temperature: 32 °F – 104 °F (0 °C – 40 °C) * For installing the enclosure, keep the internal temperature at 40 °C or below. Humidity: 10% – 80%, non-condensing
	Storage	Temperature: -4 °F – 113 °F (-20 °C – 45 °C) Humidity: 5% – 95%, non-condensing * Applicable before the product package is unpacked.

-  **Plug-and-Play**  
This monitor can be installed and used with any Plug-and-Play compatible systems. Two-way data exchange between the monitor and PC system optimizes the monitor settings. Monitor installation takes place automatically. However, you can customize the installation settings if desired.
-  Due to the nature of the manufacturing of this product, approximately 1 pixel per million (1ppm) may appear brighter or darker on the panel. This does not affect product performance.
-  This product can be set to only one resolution for each screen size to obtain the optimum picture quality due to the nature of the panel. Using a resolution other than the specified resolution may degrade the picture quality. To avoid this, it is recommended that you select the optimum resolution specified for your product.
-  For detailed device specifications, visit the Samsung Electronics website.

(USA only)

Dispose unwanted electronics through an approved recycler.

To find the nearest recycling location, go to our website: [www.samsung.com/recycling](http://www.samsung.com/recycling) or call, 1-800-SAMSUNG

## Preset Timing Modes

The screen will automatically be adjusted if a signal that belongs to the following standard signal modes is transmitted from your PC. If the signal transmitted from the PC does not belong to the standard signal modes, the screen may be blank with the power indicator on. In such a case, change the settings according to the following table by referring to the graphics card user manual.

Resolution	Horizontal Frequency (kHz)	Vertical Frequency (Hz)	Pixel Clock (MHz)	Sync Polarity (H/V)	Port	
					HDMI IN (1-3)	HDMI IN (4)
IBM, 720 x 400	31.469	70.087	28.322	-/+	0	0
VESA DMT, 640 x 480	31.469	59.940	25.175	-/-	0	0
MAC, 640 x 480	35.000	66.667	30.240	-/-	0	0
VESA DMT, 640 x 480	37.861	72.809	31.500	-/-	0	0
VESA DMT, 640 x 480	37.500	75.000	31.500	-/-	0	0
VESA DMT, 800 x 600	37.879	60.317	40.000	+/+	0	0
VESA DMT, 800 x 600	48.077	72.188	50.000	+/+	0	0
VESA DMT, 800 x 600	46.875	75.000	49.500	+/+	0	0
MAC, 832 x 624	49.726	74.551	57.284	-/-	0	0
VESA DMT, 1024 x 768	48.363	60.004	65.000	-/-	0	0
VESA DMT, 1024 x 768	56.476	70.069	75.000	-/-	0	0
VESA DMT, 1024 x 768	60.023	75.029	78.750	+/+	0	0
VESA DMT, 1152 x 864	67.500	75.000	108.000	+/+	0	0
MAC, 1152 x 870	68.681	75.062	100.000	-/-	0	0
VESA DMT, 1280 x 720	45.000	60.000	74.250	+/+	0	0
VESA DMT, 1280 x 800	49.702	59.810	83.500	-/+	0	0
VESA DMT, 1280 x 1024	63.981	60.020	108.000	+/+	0	0
VESA DMT, 1280 x 1024	79.976	75.025	135.000	+/+	0	0
VESA DMT, 1440 x 900	55.935	59.887	106.500	-/+	0	0
VESA DMT, 1600 x 900RB	60.000	60.000	108.000	+/+	0	0
VESA DMT, 1680 x 1050	65.290	59.954	146.250	-/+	0	0
VESA DMT, 1920 x 1080	67.500	60.000	148.500	+/+	0	0
VESA DMT, 2560 x 1440RB	88.787	59.951	241.500	+/-	0	0
CTA-861, 720(1440) x 576i	15.625	50.000	27.000	-/-	0	0

Resolution	Horizontal Frequency (kHz)	Vertical Frequency (Hz)	Pixel Clock (MHz)	Sync Polarity (H/V)	Port	
					HDMI IN (1-3)	HDMI IN (4)
CTA-861, 720(1440) x 480i	15.734	59.940	27.000	-/-	0	0
CTA-861, 720 x 576	31.250	50.000	27.000	-/-	0	0
CTA-861, 720 x 480	31.469	59.940	27.000	-/-	0	0
CTA-861, 1280 x 720	37.500	50.000	74.250	+/+	0	0
CTA-861, 1280 x 720	45.000	60.000	74.250	+/+	0	0
CTA-861, 1920 x 1080i	28.125	50.000	74.250	+/+	0	0
CTA-861, 1920 x 1080i	33.750	60.000	74.250	+/+	0	0
CTA-861, 1920 x 1080	27.000	24.000	74.250	+/+	0	0
CTA-861, 1920 x 1080	28.125	25.000	74.250	+/+	0	0
CTA-861, 1920 x 1080	33.750	30.000	74.250	+/+	0	0
CTA-861, 1920 x 1080	56.250	50.000	148.500	+/+	0	0
CTA-861, 1920 x 1080	67.500	60.000	148.500	+/+	0	0
CTA-861, 1920 x 1080	112.500	100.000	297.000	+/+	0	0
CTA-861, 1920 x 1080	135.000	120.003	297.000	+/+	0	0
CTA-861, 3840 x 2160	54.000	24.000	297.000	+/+	0	0
CTA-861, 3840 x 2160	56.250	25.000	297.000	+/+	0	0
CTA-861, 3840 x 2160	67.500	30.000	297.000	+/+	0	0
CTA-861, 3840 x 2160	112.500	50.000	594.000	+/+	0	0
CTA-861, 3840 x 2160	135.000	60.000	594.000	+/+	0	0
CTA-861, 3840 x 2160	225.000	100.000	1188.000	+/+	-	0
CTA-861, 3840 x 2160	270.000	120.000	1188.000	+/+	-	0
CTA-861, 4096 x 2160	54.000	24.000	297.000	+/+	0	0
CTA-861, 4096 x 2160	67.500	30.000	297.000	+/+	0	0
CTA-861, 4096 x 2160	112.500	50.000	594.000	+/+	0	0
CTA-861, 4096 x 2160	135.000	60.000	594.000	+/+	0	0
CTA-861, 4096 x 2160	225.000	100.000	1188.000	+/+	-	0
CTA-861, 4096 x 2160	270.000	120.000	1188.000	+/+	-	0
CTA-861, 7680 x 4320	132.000	30.000	1188.000	+/+	-	0
CTA-861, 7680 x 4320	220.000	50.000	2376.000	+/+	-	0
CTA-861, 7680 x 4320	264.000	60.000	2376.000	+/+	-	0

# Chapter 03

## Appendix

### License



Manufactured under license from Dolby Laboratories. Dolby, Dolby Audio, Pro Logic, and the double-D symbol are trademarks of Dolby Laboratories.

---



The terms HDMI and HDMI High-Definition Multimedia Interface, and the HDMI Logo are trademarks or registered trademarks of HDMI Licensing LLC in the United States and other countries.

---

#### Open Source Licence Notice

In the case of using open source software, Open Source Licences are available on the product menu. Open Source Licence Notice is written only English.

For information on the Open Source Licence Notice, contact the Samsung Customer Center or send email to [oss.request@samsung.com](mailto:oss.request@samsung.com).

---



THIS PRODUCT IS SOLD WITH A LIMITED LICENCE AND IS AUTHORISED TO BE USED ONLY IN CONNECTION WITH HEVC CONTENT THAT MEETS EACH OF THE THREE FOLLOWING QUALIFICATIONS: (1) HEVC CONTENT ONLY FOR PERSONAL USE; (2) HEVC CONTENT THAT IS NOT OFFERED FOR SALE; AND (3) HEVC CONTENT THAT IS CREATED BY THE OWNER OF THE PRODUCT.

THIS PRODUCT MAY NOT BE USED IN CONNECTION WITH HEVC ENCODED CONTENT CREATED BY A THIRD PARTY, WHICH THE USER HAS ORDERED OR PURCHASED FROM A THIRD PARTY, UNLESS THE USER IS SEPARATELY GRANTED RIGHTS TO USE THE PRODUCT WITH SUCH CONTENT BY A LICENSED SELLER OF THE CONTENT.

YOUR USE OF THIS PRODUCT IN CONNECTION WITH HEVC ENCODED CONTENT IS DEEMED ACCEPTANCE OF THE LIMITED AUTHORITY TO USE AS NOTED ABOVE.

---