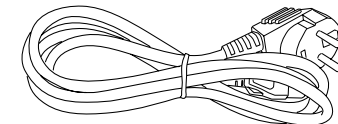
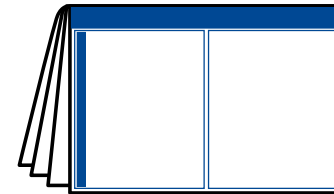
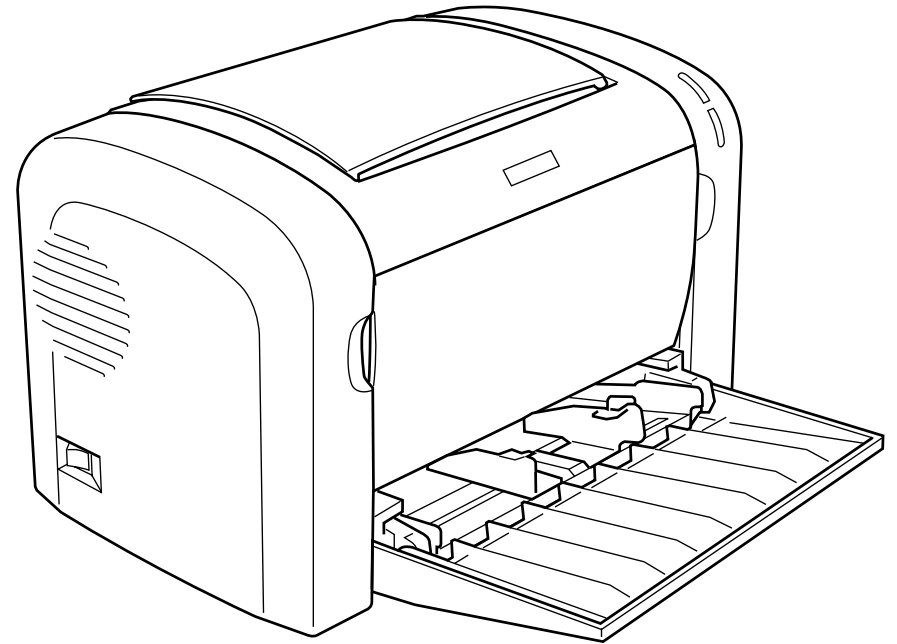


EPSON EPL-6200L

EN	Setup Guide
DE	Installationshandbuch
FR	Guide d'installation
IT	Guida de installazione
ES	Guía de instalación
CA	Manual d'instal·lació
PT	Manual de instalação
NL	Installatiehandleiding
DA	Installationsvejledning
FI	Asennusopas
NO	Installeringshåndbok
SV	Installationshandbok
CS	Instalační příručka
HU	Üzembe helyezés és útmutató
PL	Podręcznik konfiguracji i instalacji
SK	Inštalčná príručka
BG	Ръководство за инсталация
RO	Ghid de instalare
EE	Seadistusjuhend
LV	Uzstādīšanas instrukcija
LT	Parengties vadovas
EL	Οδηγός εγκατάστασης
TR	Kurulum kılavuzu
SL	Priročnik za namestitev
HR	Vodič za postavu
MK	Упатство за поставување
SR	Uputstvo za postavljanje
RU	Руководство по установке

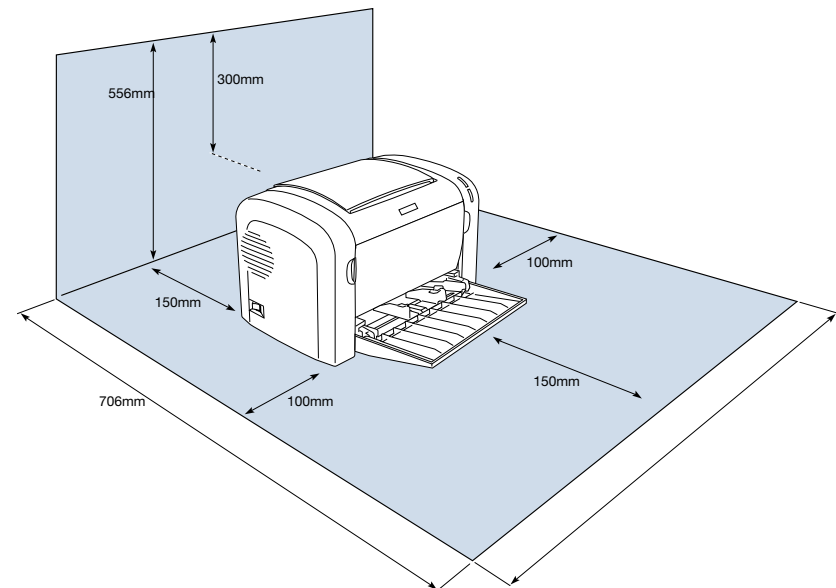
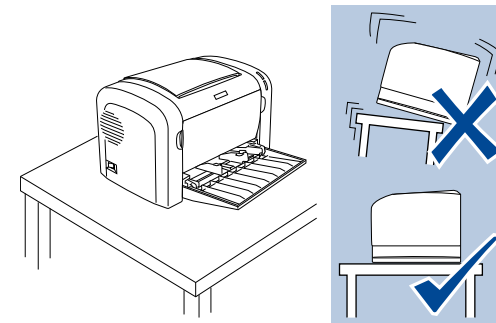
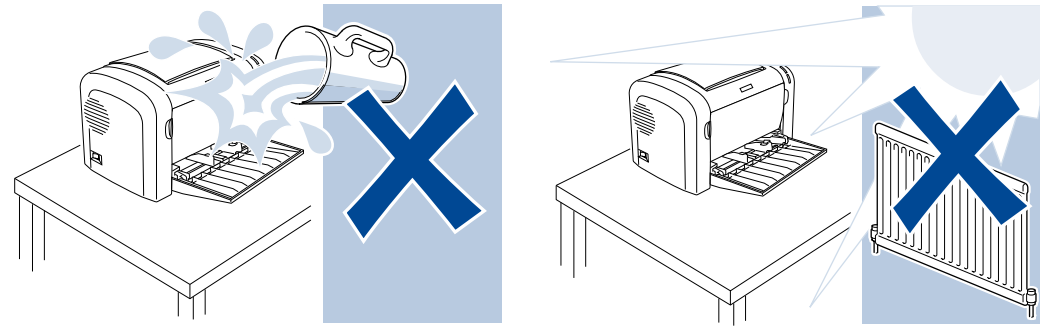
AR
FA

دليل الإعداد
راهنمای تنظیم



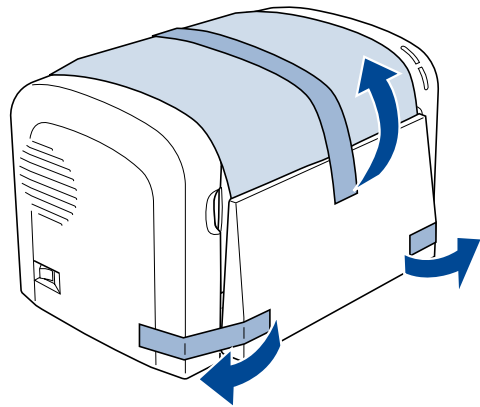
- EN For detailed information refer to the Reference Guide (installed with the software).
- DE Ausführliche Informationen finden Sie im Referenzhandbuch (in der Software enthalten).
- FR Pour plus d'informations, reportez-vous au Guide de référence (installé avec le logiciel).
- IT Per informazioni dettagliate consultare la Guida di riferimento installata con il software.
- ES Para obtener información detallada consulte la Guía de referencia (instalada con el software).
- CA Per obtenir informació detallada consulti el Manual d'usuari (instal·lada amb el software)
- PT Para mais informações, consulte o Manual de Utilizador (instalado com o software).
- NL Raadpleeg de gebruikershandleiding (geïnstalleerd met de software) voor meer informatie.
- DA Der findes yderligere oplysninger i brugervejledningen (installeret sammen med softwaren).
- FI Lisätietoja on pikaoppaassa (asennetaan ohjelmiston kanssa).
- NO Hvis du vil ha mer detaljert informasjon, kan du se i referansehåndboken (som installeret med programvaren).
- SV Detaljerad information finns i Användarhandboken (installeras tillsammans med programmet).
- CS Podrobné informace naleznete v Referenční Příručce (instaluje se spolu se softwarem).
- HU Részletes információ a szoftverrel együtt telepített használati útmutatóban található.
- PL Szczegółowe informacje zawiera Dokumentacja techniczna (zainstalowana z oprogramowaniem).
- SK Podrobné informácie nájdete v Referenčnej príručke (inštaluje sa spolu so softvérom).
- BG Подробна информация ще намерите в Ръководството за справка (инсталирано със софтуера).
- RO Pentru informații detaliate, consultați Reference Guide (Ghidul de referință instalat cu software-ul).
- EE Lähemat teavet vt (koos tarkvaraga installeeritud) juhendist Reference Guide (Teatmik).
- LV Sīkāku informāciju skat. Uzziņu rokasgrāmatā (tiek instalēta kopā ar programmu).
- LT Detalesnės informacijos ieškokite Žinyne (įdiegtame kartu su programine įranga).
- EL Για περισσότερες πληροφορίες, ανατρέξτε στον Οδηγό αναφοράς (εγκαταστάθηκε μαζί με το λογισμικό).
- TR Ayrıntılı bilgi için lütfen (yazılımla yüklenmiş olan) Başvuru Kılavuzu'na bakın.
- SL Podrobnejše informacije najdete v referenčnem priročniku (namesti se skupaj s programsko opremo).
- HR Detaljne informacije pogledajte u Referentnom priručniku (instaliranom sa softverom).
- MK За подетални информации видете во Упатството за употреба (што се инсталира заедно со софтверот).
- SR Za detaljne informacije pogledajte Referentni priručnik (instaliran zajedno sa softverom).
- RU Для получения подробных сведений см. справочное руководство (поставляется вместе с программным обеспечением).

للحصول على معلومات مفصلة، ارجع إلى Reference Guide (الدليل المرجعي) (المثبت مع البرنامج)
برای اطلاعات مشروح به راهنمای مراجعه (با نرم افزار نصب شده) رجوع شود.

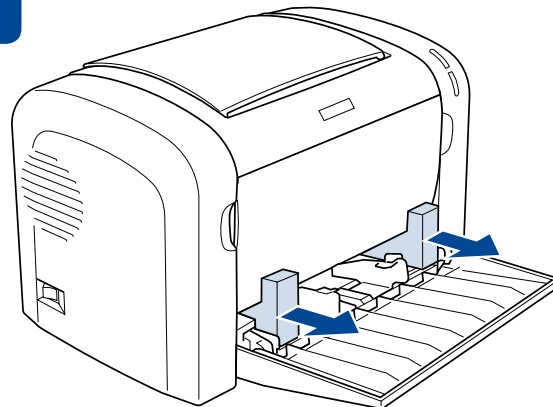


DE: Maschinenlärminformations-Verordnung 3. GPSGV: Der höchste Schalldruckpegel beträgt 70 dB(A) oder weniger gemäß EN ISO 7779.

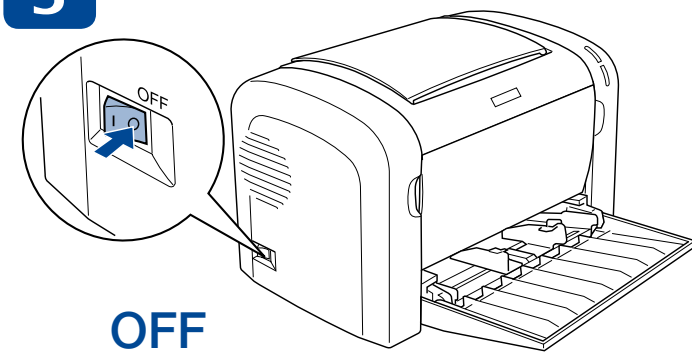
1



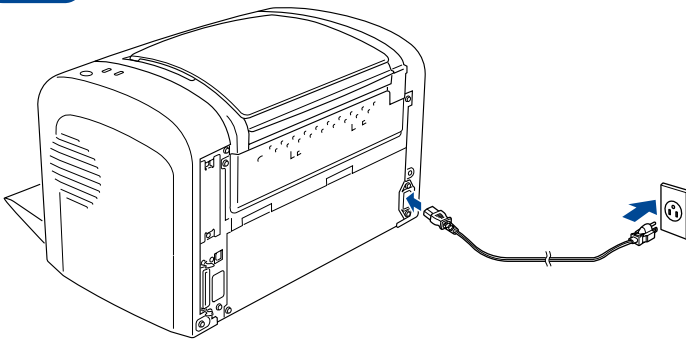
2



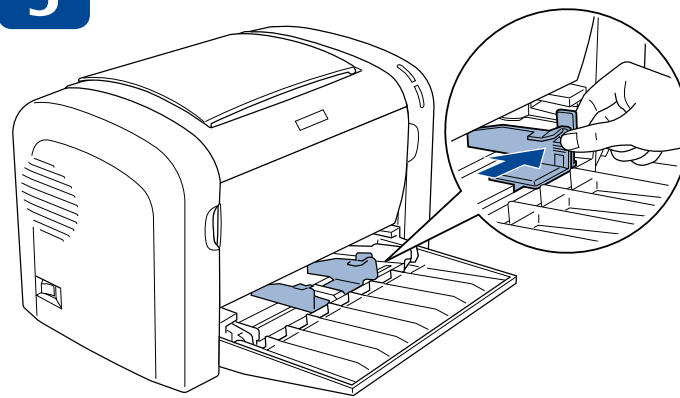
3



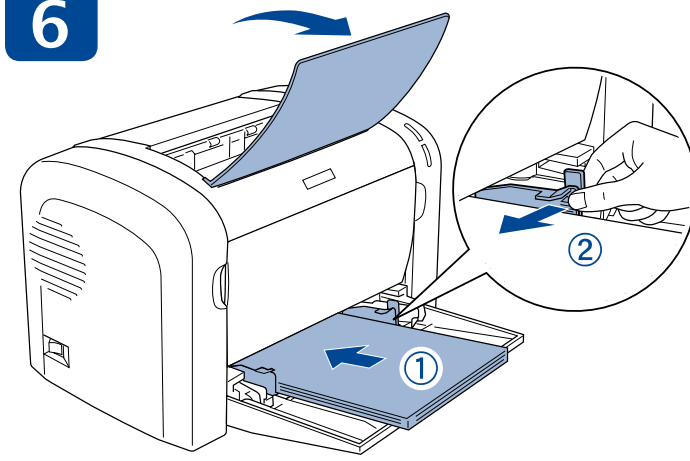
4

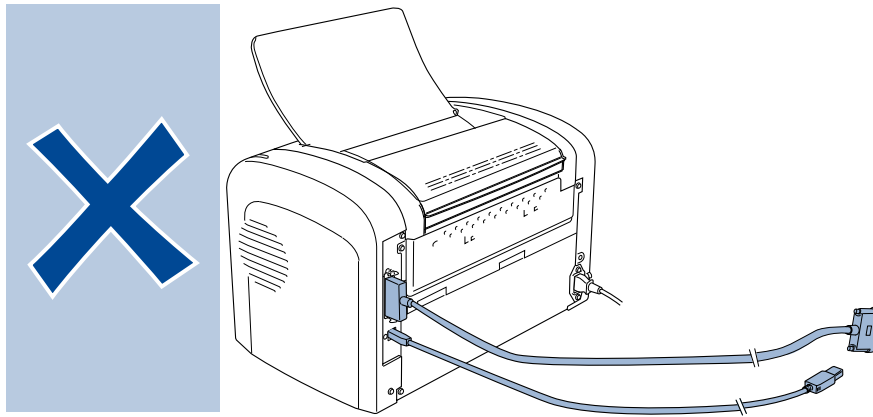


5

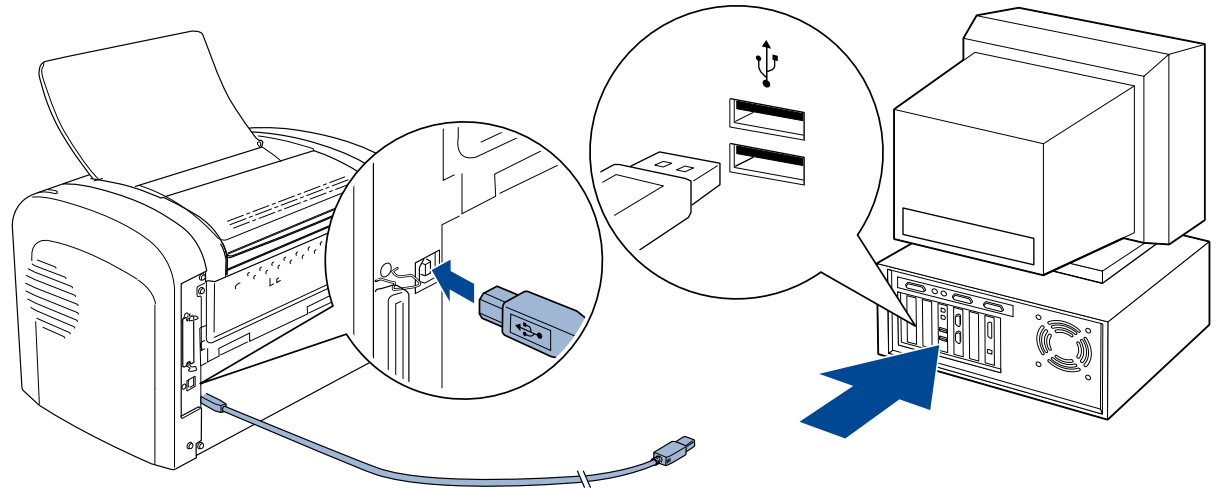
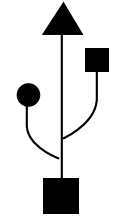


6

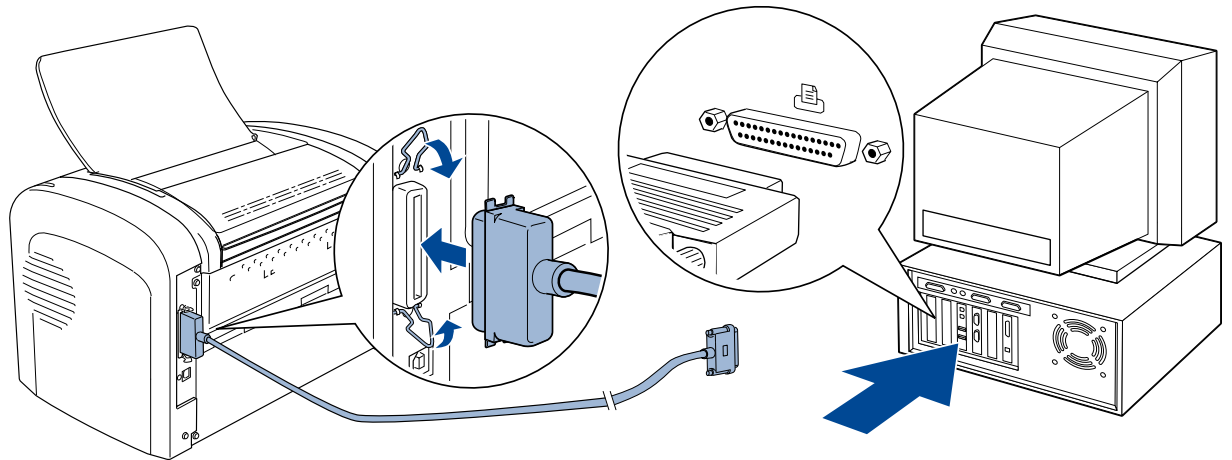
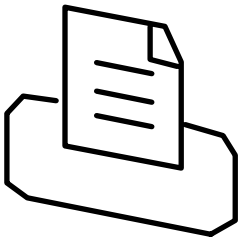




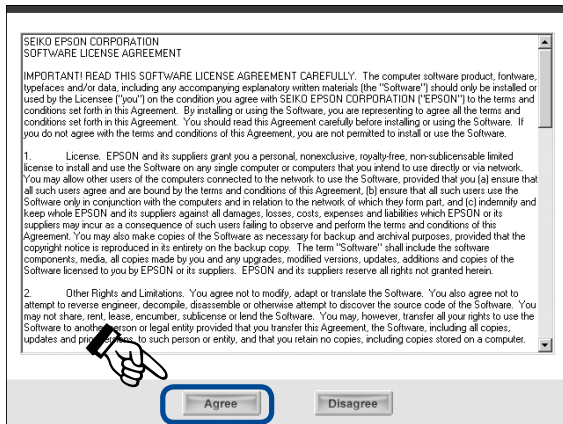
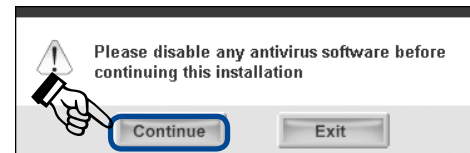
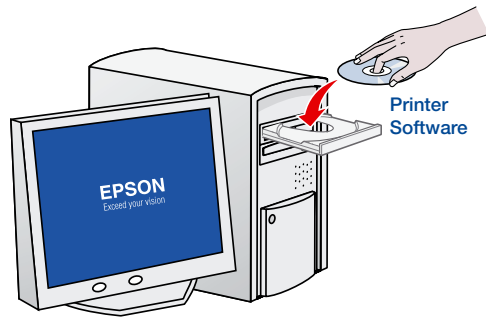
USB



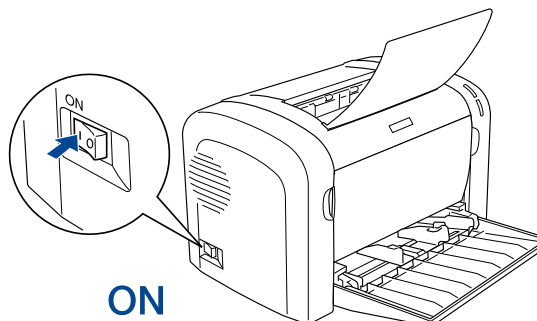
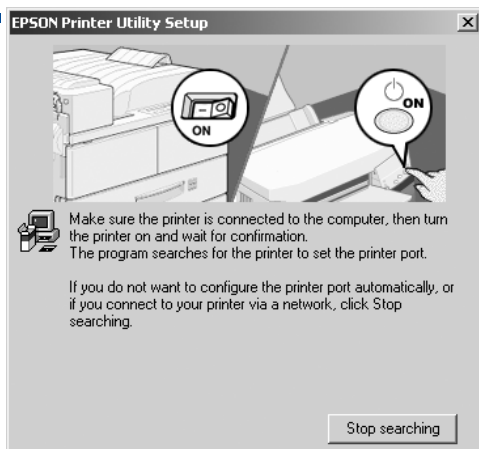
IEEE 1284



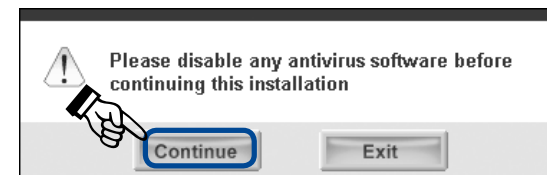
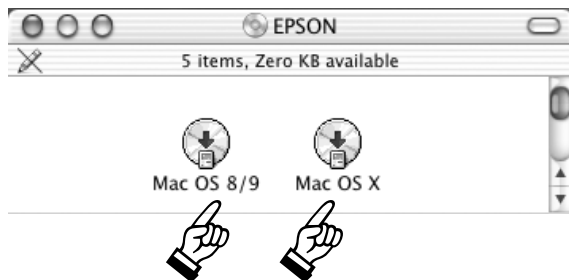
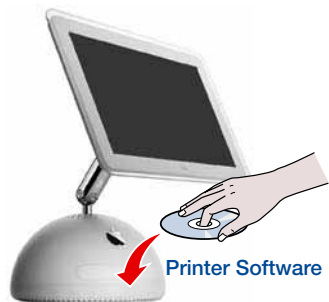
8 Windows



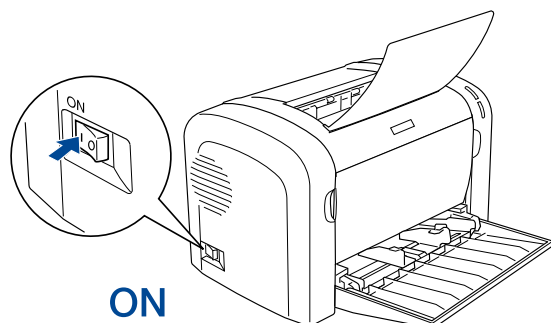
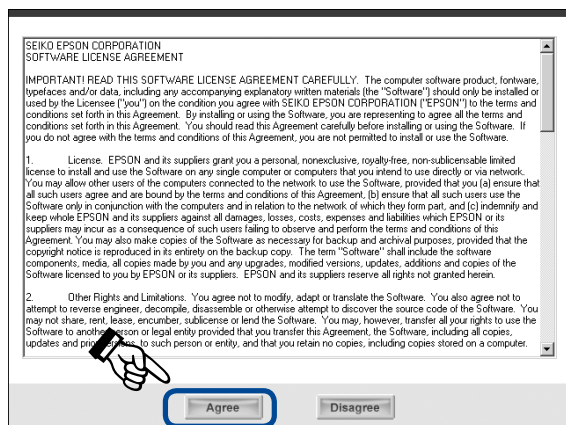
f.



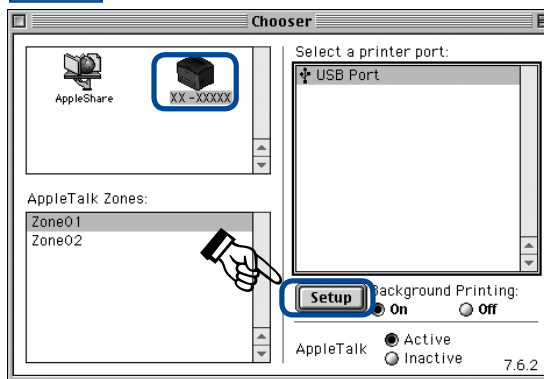
8 Mac OS



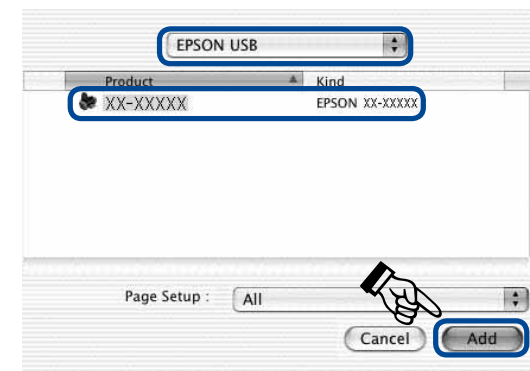
d.



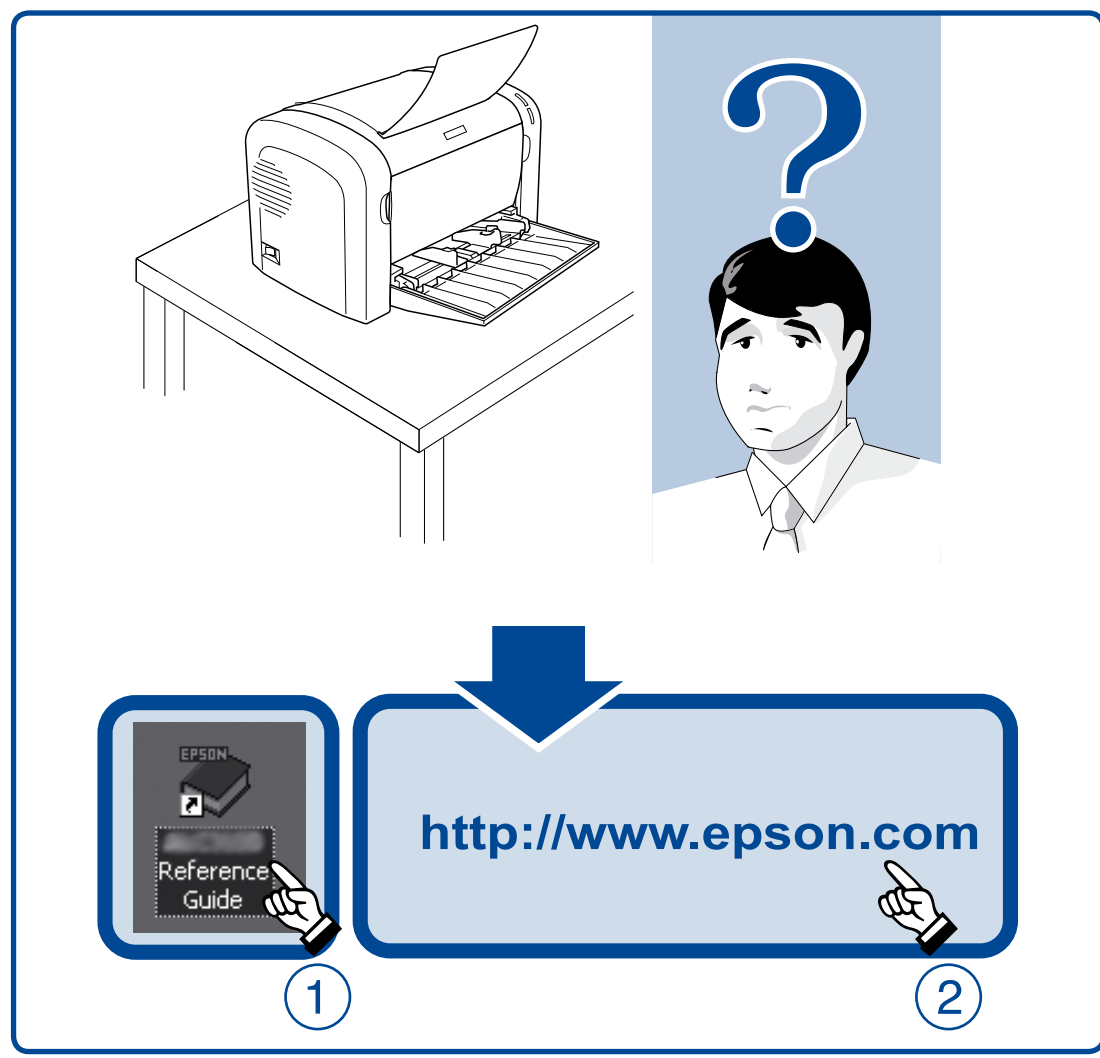
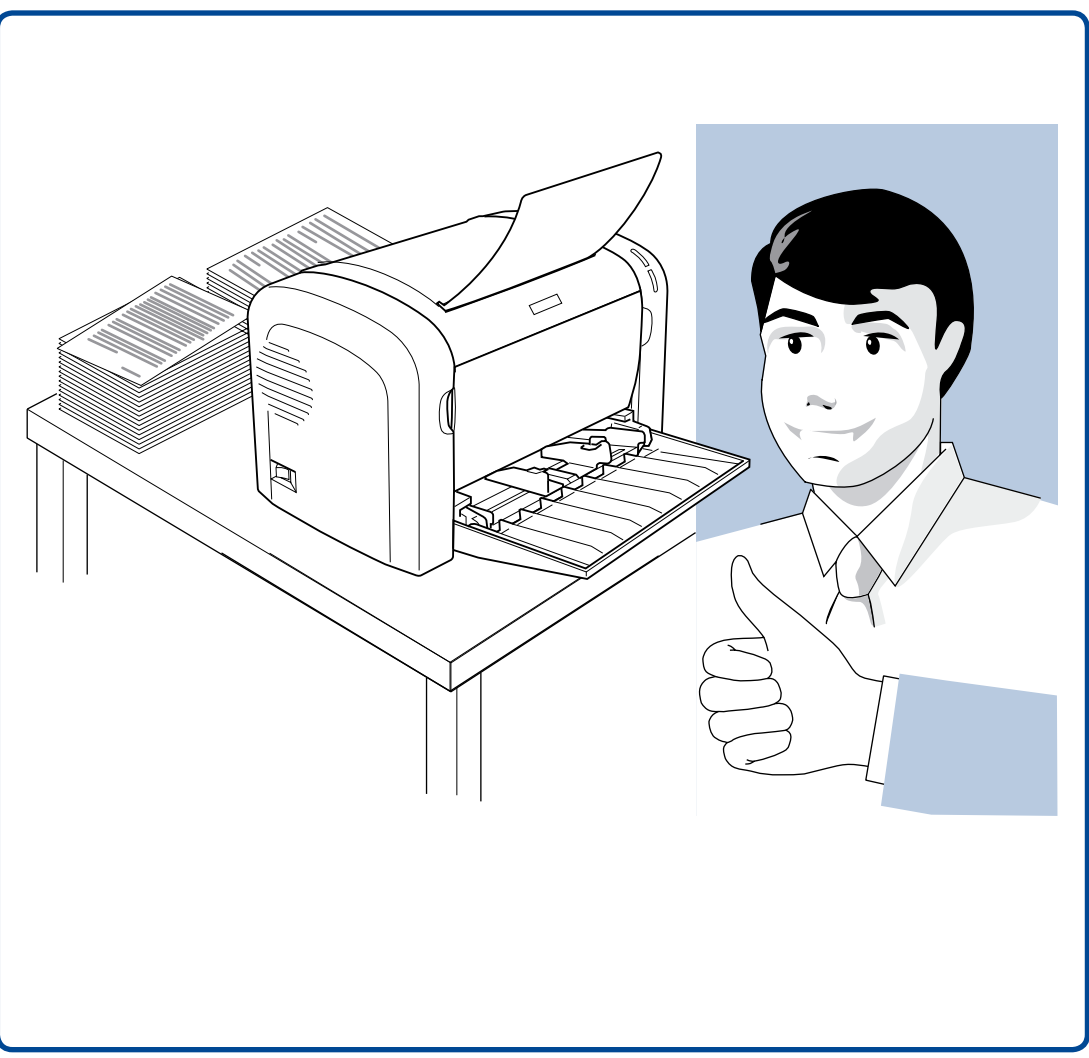
Mac OS 8/9



Mac OS X



EPSON EPL-6200L



All rights reserved. No part of this publication may be reproduced, stored in a retrieval system, or transmitted in any form or by any means, mechanical, photocopying, recording, or otherwise, without the prior written permission of Seiko Epson Corporation. No patent liability is assumed with respect to the use of the information contained herein. Neither is any liability assumed for damages resulting from the use of the information contained herein.

Neither Seiko Epson Corporation nor its affiliates shall be liable to the purchaser of this product or third parties for damages, losses, costs, or expenses incurred by purchaser or third parties as a result of: accident, misuse, or abuse of this product or unauthorized modifications, repairs, or alterations to this product, or (excluding the U.S.) failure to strictly comply with Seiko Epson Corporation's operating and maintenance instructions.

Seiko Epson Corporation and its affiliates shall not be liable against any damages or problems arising from the use of any options or any consumable products other than those designated as Original Epson Products or Epson Approved Products by Seiko Epson Corporation.

Microsoft and Windows are registered trademarks of Microsoft Corporation in the United States and/or other countries.

Adobe is trademarks of Adobe Systems Incorporated, which may be registered in certain jurisdictions.

Apple and Macintosh are registered trademarks of Apple Computer, Inc.

General Notice: Other product names used herein are for identification purposes only and may be trademarks of their respective owners. Epson disclaims any and all rights in those marks.

Copyright © 2004 by Seiko Epson Corporation, Nagano, Japan.