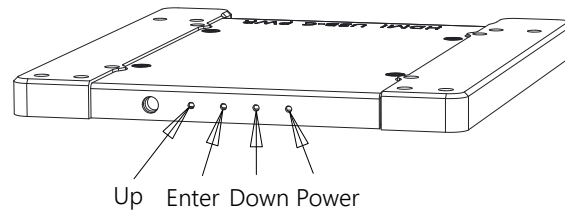
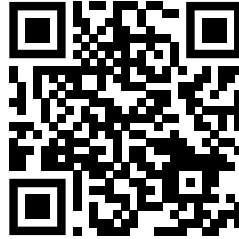


OSD OPERATION

The OSD buttons are hidden behind small holes for tamper protection. Use a small gem or similar to adjust the OSD menu.

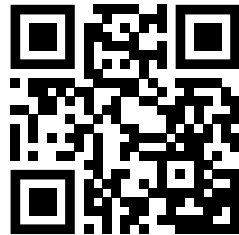


Further information regarding OSD settings can be retrieved at:
<https://www.instorescreen.com/INT-OSD.html>



ANTIMICROBIAL KASTUS COATING

The glass on this product has KASTUS antimicrobial coating, it is everlasting and will protect against microbes. For more information please visit:
<https://kastus.com/>



PRODUCT CLEANING

This product are made of toughened glass and anodized aluminum. Use a cloth with with solvent of water, alcohol similar.

- Do not use solvents with:
- Polishing effect
 - Sand or rubbing chrystals
 - Acids or other strong solvents

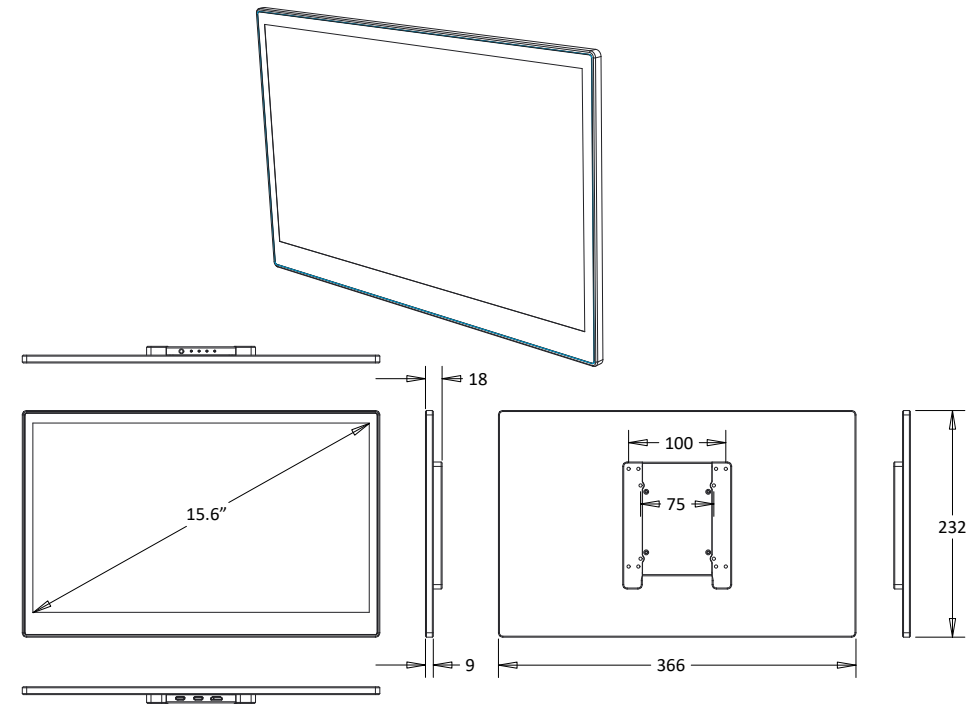
INSTORE
SCREEN™

INFO@INSTORESCREEN.COM COPYRIGHT MPID AB/INSTORESCREEN LLC 2020

MANUAL - inTOUCH 156

GETTING STARTED MANUAL

JULY 2020



Although the information contained within this document is provided in good faith, Instorescreen LLC (including its affiliates, agents and employees) repudiates any and all liability for any errors, inaccuracies or incompleteness relating to the product. Instorescreen LLC provides no warranty, representation or guarantee with regard to the performance, quality, lifetime or suitability of the products for any particular purpose. To the fullest extent permitted by law, Instorescreen LLC disclaims (1) any and all liability arising out of or in connection with the use of the product, and (2) any and all liability, including, but without limitation, special, consequential and indirect damages and losses, and (3) any and all implied warranties, including, but without limitation to, fitness for purpose and merchantability.

All images, drawings, diagrams, technical descriptions, information and specifications contained in this document (the "Content") constitute the intellectual property of Instorescreen LLC. All rights are reserved. Any distribution, duplication, amendment, and any other kind of use of the Content or its reproduction in whole or in part is permitted only with the prior written consent of Instorescreen LLC.

The Content is strictly confidential and intended solely for the addressee.

All product information may be changed at any time without prior notification.

DESCRIPTION

This display is designed for professional use in retail environments, it can also be used for other professional purposes with the correct installation hardware.

Included with this product are the following items:

- 1 x inTouch156 monitor
- 1 x This manual

USB-C connect: Needed to complete the installation connect are:

- USB-C high speed cable (not included)

HDMI connect: Needed to complete the installation connect are:

- DP to mini HDMI (ont included)
- USB-C 3.1 cable (not included)
- Lenovo USB-C power supply #4X20M26252 (separate order)

Technical data inTouch156:

Resolution: 1920 x 1080

Colors: 16.7 M

Viewing angle: 89/89/89/89

Contrast ratio: 1000:1

Brightness: 420 cd/m²

Power consumption: 12V 8W

Video input: HDMI, USB-C

Certifications: CE, FCC, RHOS

Technical data: Lenovo PSU # 4X20M26252 (separate order)

Input: AC = 100-240V - 1.3A

Output: DC = 20V 2.25A - 15V 3A - 9V 2A - 5V 2A

Cetifications: CE, UL, FCC, RHOS

High-Risk Activities Warning:

This display is not intended for use in the operation of nuclear facilities, aircraft navigation or communications systems, or air traffic control machines, or for any other uses where the failure of the computer system could lead to death, personal injury or severe environmental damage.

Disposal and Recycling Information:



This symbol indicates that your product must be disposed of properly according to local laws and regulations. When your product reaches its end of life, contact your distributor or your local authorities to learn about recycling options.

European Union—Disposal Information




The symbol above means that according to local laws and regulations your product should be disposed of separately from household waste. When this product reaches its end of life, take it to a collection point designated by local authorities. Some collection points accept products for free. The separate collection and recycling of your product at the time of disposal will help conserve natural resources and ensure that it is recycled in a manner that protects human health and the environment.

CONNECTING THE MONITOR

This monitor can be powered, get video signals and transmit touch data with only one USB-C cable.

Connecting the monitor via USB-C (USB type C):

1. Connect the USB C cable to your computer output marked 
2. Connect the USB C cable your monitor as figure A

Connecting the monitor via mini HDMI:

1. Connect the HDMI cable to your computer
2. Connect the mini HDMI cable your monitor as figure B
3. Connect USB-C power supply (Lenovo PSU # 4X20M26252 (separate order)) as figure B
- OR: 4. Connect the USB C cable to your computer with power output as figure B

Figure A

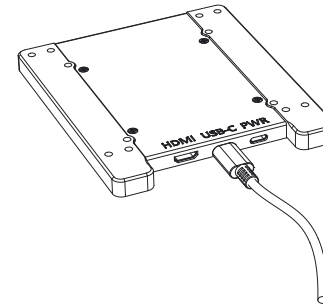
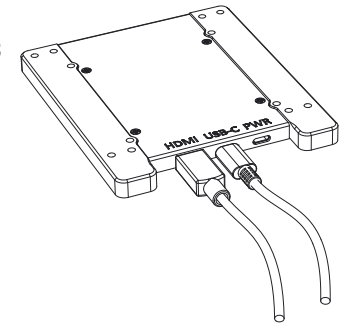


Figure B



WARRANTY

This display comes with a three year manufacturer's warranty. You can find details of the warranty at www.instorescreen.com.

For more information scan the QR code:

or visit <https://rma.instorescreen.com>

