

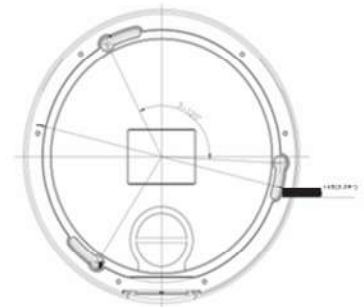
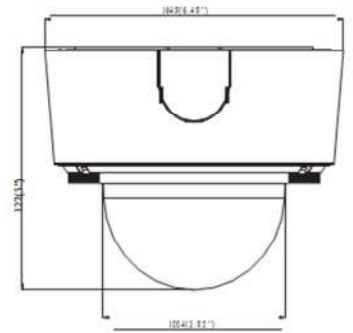
### Overview

- Up to 3 megapixel (2048 × 1536)
- Motorized VF lens
- IP66
- True WDR 120db
- Analytics
- 3-axis (pan/tilt/rotation) positioning
- SVC (Scalable Video Coding)
- IR cut filter with auto switch
- Defocus Detection, face detection, audio exception detection & intrusion detection
- Video Insight VMS License Included



### Technical Specifications

<b>Device</b>	
Image Sensor:	1/2.8" Progressive Scan CMOS
Min. Illumination:	0.01 Lux @(F1.2,AGC ON), 0 Lux with IR 0.014 Lux @(F1.4,AGC ON), 0 Lux with IR
Shutter Time:	1s to 1/100,000 s
Lens:	2.8 - 9 mm@ F1.4
Auto Iris:	DC drive
Angle Adjustment:	Pan: ± 0°-355°, Tilt: 0 ~ 75°, Rotation: ± 0-355°
Lens Mount:	φ14
Digital Noise Reduction:	3D DNR
WDR Range:	120db
<b>Compression Standard</b>	
Video Compression:	H.264
Bit Rate:	32 Kbps ~ 16 Mbps
H.264 Type:	Baseline Profile/Main Profile/High Profile
Audio Compression:	G.711/G.722.1/G.726/MP2L2
Audio Bit Rate:	64Kbps(G.711) / 16Kbps(G.722.1) / 16Kbps(G.726) / 32-128Kbps(MP2L2)
<b>Image</b>	
Max. Image Resolution:	2048 x 1536
Frame Rate:	30fps(2048 × 1536) / (1920 × 1080) / (1280 × 960) / (1280 × 720)
ROI (Region of Interest):	Users can configure up to 4 areas in all the three streams.
BLC (Back Light Compensation):	Support, Zone optional
Defog:	Support
Day/Night Switch	Auto/Schedule/Triggered by alarm in
Picture Overlay:	LOGO picture can be overlaid on video with 128 x 128 24 bit bmp format



## Technical Specifications

<b>Network</b>	
Alarm Trigger:	Line crossing Detection, Intrusion detection, Scene change detection, Defocus detection, audio exception detection, Motion detection, Face detection, Dynamic analysis, Tampering alarm, Network disconnect, IP address conflict
Protocols:	TCP/IP,ICMP,HTTP,HTTPS,DHCP,DNS,RTP,RTSP,RTCP, NTP,SMTP,SNMP,IGMP,IPv6,Bonjour
Security:	User authentication, watermark, IP address filtering, anonymous access
System Compatibility:	ONVIF, PSIA,
<b>Interface</b>	
Communication Interface:	1 RJ45 10 M/100 M Ethernet interface
Audio Input:	1-ch 3.5 mm audio interface, Mic in/Line in
Audio Output:	1-ch 3.5 mm audio interface
Alarm Input/Output	1/1
Reset Button:	Yes
<b>General</b>	
Operating Conditions:	-40° F – 140° F (-40°C-60°C)Humidity 95% or less (non-condensing)
Power Supply:	DC12V/AC24V/PoE(802.3af), -H: DC12V/AC24V/PoE(802.3at)
Power Consumption:	Max. 12 W -H (Smart Heater): 17W
Impact Protection:	IEC60068-2-75Eh, 50J, EN50102, up to IK10
Weather Proof Rating:	IP66
IR Range:	Up to 30ft (10 m)
Dimensions:	Φ6.29" ×5.75" (Φ164.9 × 127 mm)
Weight:	4.62lbs (2095g)
Software:	Includes Video Insight VMS License