

BenQ

RP6505

Pro Series



Next-Gen AI Performance:

RP6505 features a true 10 TOPS NPU which enables AI processing directly on the device to support BenQ AI tools and improve classroom experiences for both students and teachers.

Android 15 and Google EDLA Certification:

With Android 15 and a Google EDLA ecosystem, RP6505 offers reliable access to core Google services and supports ongoing security updates to stay compatible with educational apps in the long term and reduce IT maintenance.

Advanced Data Security:

RP6505 includes device access controls, single sign-on, multi-factor authentication, and Google Play Protect, while complying with GDPR, CCPA, and PSTI standards to keep data secure.

ClassroomCare®:

RP6505 is verified by Eyesafe® Display 3.0 with an RPF® of 60 and a CPF of 50, helping protect eye health and support circadian-friendly viewing. Other ClassroomCare® technologies are germ-resistant surfaces, air quality sensors, and an air ioniser, all helping to support healthier, more comfortable classrooms.



Panel	Screen size	65"		
	Resolution	UHD 3840 × 2160		
	Brightness	450 nits		
	Contrast ratio (typ.)	1500:1		
	Dynamic contrast ratio	50,000:1		
	Viewing angle (H/V)	178°/178°		
	Response time	8 ms		
	Backlight life	50,000 hrs		
	Panel surface	AG, Haze 25%		
	Operating hours	18 hours / 7 days		
System	Orientation	Landscape		
	Memory Storage	16 GB 256 GB		
	OS	Android 15 (EDLA)		
	GPU	Arm Mali-G57 MC2		
	CPU	Arm Cortex-A78 × 2 + A55 × 6		
	NPU	10 TOPS		
	Power supply	AC 100-240 V, 50 / 60 Hz		
Power	Power consumption	Typical	77.4 W	
		Standby	<0.5 W	
	AC power switch	Yes		
	ENERGY STAR®	Yes		
Touch	Wake up	LAN / HDMI / VGA / DP		
	Technology	Ultra Precision IR		
	Number of touch points	up to 50		
Glass	Interface	USB Type-B × 3		
	Thickness	3.2 mm		
	Hardness	9H tempered		
ClassroomCare® Technology	AG coating	Yes		
	Eye care: flicker-free & low blue light	Yes (Eyesafe® Display 3.0 verified by UL Solutions; RPF® 60 / CPF 50)		
	Air quality sensors & air ioniser	CO ₂ - PM _{2.5} - PM ₁₀ - TVOC - CH ₂ O, temperature, humidity; air ioniser		
	Germ-resistant screen	Yes (certified by TÜV, SIAA & SGS)		
Environment	Operating temperature	0°C ~ 40°C		
	Operating humidity	10% ~ 90% RH non-condensing		
	Input	VGA × 1, HDMI 2.0 × 3, DP 1.2a × 1, Mic (3.5mm) × 1, PC Audio × 1		
Connectivity	Output	HDMI 2.0 × 1, Earphone (3.5 mm) × 1, SPDIF (Optical) × 1		
	USB	Type-A × 7 (3.0 × 4 / 2.0 × 3), Type-B × 3 (3.0), Type-C × 2 (3.0 PD 100 W × 1 / 2.0 × 1), Type-C (out) × 1		
	RS-232 (In)	× 1		
	RJ45 (LAN)	× 2 (Android / OPS) up to 1000Mbps		
	Wireless connectivity	Built-in WD02AT (Wi-Fi 6 + Bluetooth 5.2)		
	OPS slot (for slot-in PC)	× 1		
	Micro SD reader	× 1		
	Built-in peripherals	Soundbar	70 W (25 W speakers × 2 20 W subwoofer × 1)	
		Microphones	8-mic array, up to 12 m pickup range	
		NFC sensor	Yes	
Physical	Dimensions (W × H × D)	1488.4 × 937.3 × 130.0 mm		
	Weight (product shipping)	34.5 kg 44.5 kg		
	Bezel width (T B L R)	14.6 98.5 14.6 14.6 mm		
	Wall mounting (VESA) (screw type / max. length)	VESA 600 × 400 mm (4 × M8 × 25L), wall mount kit included		
	Pen tray	Yes		
Accessories	Remote control	× 1		
	Stylus	× 2 (PT0IGN)		
	Cables	HDMI (3 m) × 1, USB-B for touch (3 m) × 1, USB-C (1.5 m) × 1		

→ Specifications subject to change without notice.



ENERGY STAR® 8.0
The energy-efficient design of the RP6505 displays meets ENERGY STAR® standards and can reduce power consumption by up to 70%.



Sustainable packaging
We've reduced our transport and logistics footprint by increasing the loading rate by 60%.



Remote energy control
Lower unnecessary power use with DMS by remotely powering displays on/off and setting schedules.

SOFTWARE



EZWrite 6

Save lessons in editable whiteboard files (IWB) with Cloud Whiteboarding. Google Classroom is integrated with EZWrite WEB.



InstaShare 2

Wireless screen sharing & casting from any device. Share several screens simultaneously, with different types of content.



X-Sign Broadcast

Announcement system with cross-campus communication. Send visual alerts, warnings, and videos to all or one specific device.



AMS

Account Management System to conveniently load and access your account and cloud storage from any BenQ display.



DMS

Device Management Solution centrally oversees all displays to get real-time status information, deploy OTA updates & more.

INPUT AND OUTPUT TERMINALS

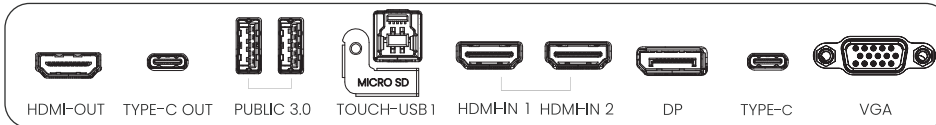
FRONT I/O



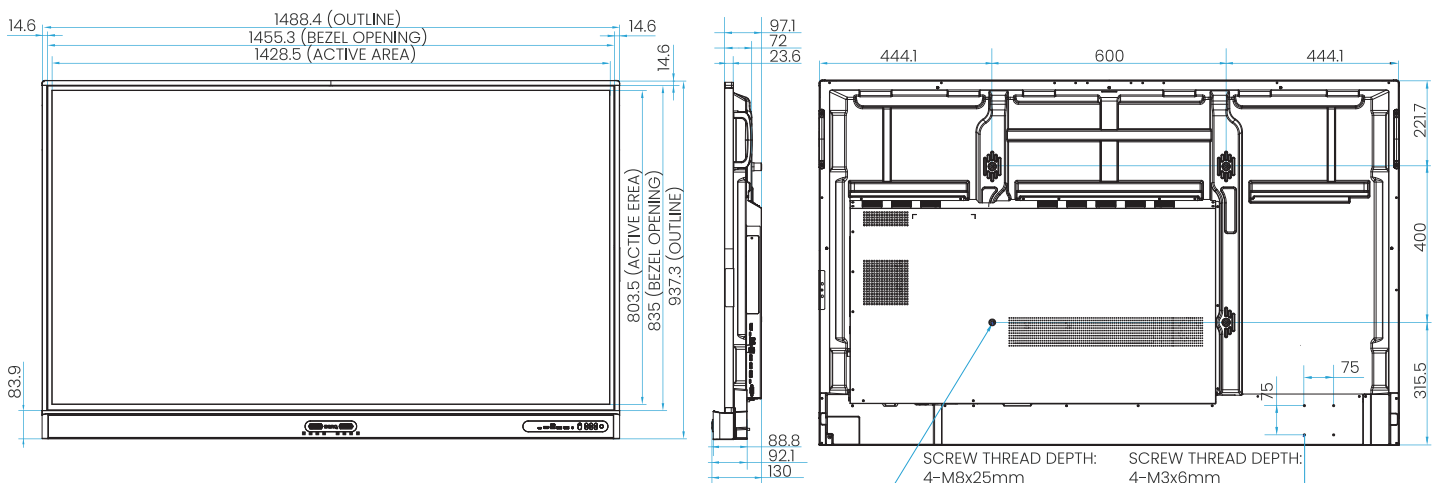
DOWN I/O



SIDE I/O



DIMENSIONS (MM)



Warranty terms and conditions may change based on the country of purchase and local regulations.



www.benq.eu/en-eu/education.html

© 2026 BenQ Corp. Specifications may vary by region, please visit your local stores for details. Actual product's features and specifications are subject to change without notice. This material may include corporate names and trademarks of third parties which are the properties of the third parties respectively.

