

## Sit-Stand Desktop Workstation with 35" Work Surface

ARMSTSLG



\*actual product may vary from photos

FR: Guide de l'utilisateur - [fr.startech.com](http://fr.startech.com)

DE: Bedienungsanleitung - [de.startech.com](http://de.startech.com)

ES: Guía del usuario - [es.startech.com](http://es.startech.com)

NL: Gebruiksaanwijzing - [nl.startech.com](http://nl.startech.com)

PT: Guia do usuário - [pt.startech.com](http://pt.startech.com)

IT: Guida per l'uso - [it.startech.com](http://it.startech.com)

For the latest information, technical specifications, and support for this product, please visit [www.StarTech.com/ARMSTSLG](http://www.StarTech.com/ARMSTSLG).

## **Use of Trademarks, Registered Trademarks, and other Protected Names and Symbols**

PHILLIPS® is a registered trademark of Phillips Screw Company in the United States or other countries.

This manual may make reference to trademarks, registered trademarks, and other protected names and/or symbols of third-party companies not related in any way to StarTech.com. Where they occur these references are for illustrative purposes only and do not represent an endorsement of a product or service by StarTech.com, or an endorsement of the product(s) to which this manual applies by the third-party company in question. Regardless of any direct acknowledgement elsewhere in the body of this document, StarTech.com hereby acknowledges that all trademarks, registered trademarks, service marks, and other protected names and/or symbols contained in this manual and related documents are the property of their respective holders.

## Warning statements

Do not exceed the weight capacity of this product. Overloading this product might result in injury or property damage.

Do not allow any part of your component cables to get caught between moveable parts, as it could result in equipment damage.

Caution! To reduce the risk of pinched cables, make sure that you read and follow the instructions on how to route your cables properly.

Finch hazard! Keep your fingers clear from moving components when you move the workstation up or down.

Make sure that the equipment mounted on the workstation is secure before you move the workstation up or down. If the equipment is not secured, it could fall off the workstation as you move it and the equipment could be damaged.

## Varningsmeddelanden

Överskrid inte produktens viktkapacitet. Överbelastning av produkten kan orsaka skada på person eller egendom.

Låt inga komponent kablar fastna mellan rörliga delar eftersom det kan orsaka skada på utrustningen.

Varning! För att reducera risken för klämda kablar, läs och följ instruktionerna för hur man drar kablar korrekt.

Klämrisk! Håll fingrarna borta från rörliga komponenter när du flyttar arbetsstationen upp eller ner.

Se till att utrustningen som är monterad på arbetsstationen är säkrad innan du flyttar den upp eller ner. Om utrustningen inte är säkrad kan den ramla av arbetsstationen när du flyttar den och utrustningen kan skadas.

## Waarschuwingen

Overschrijd de maximale capaciteit van dit product niet. Overbelasting van dit product kan letsel of materiële schade veroorzaken.

Vorkom dat uw componentkabels tussen bewegende delen vast komen te zitten, omdat dit materiële schade zou kunnen veroorzaken.

Let op! Volg de instructies goed op om te weten hoe u de kabels correct moet geleiden, om zo het risico van beknelde kabels te verminderen.

Gevaar voor beknelling! Houd uw vingers weg van de bewegende onderdelen als u uw werkstation naar boven of beneden beweegt.

Zorg ervoor dat uw apparaten goed aan uw werkstation bevestigd zijn voordat u uw werkstation naar boven of beneden beweegt. Als uw apparaten niet vastgezet zijn kunnen ze vallen op het moment dat u het werkstation beweegt, met als gevolg dat uw apparaten kunnen beschadigen.

## 注意

本製品で定められた最大積載重量を超えないようにして下さい。最大積載重量をオーバーした場合、怪我をする恐れや器物破損の恐れがあります。

動くパーツの間にコンポーネントケーブルが挟まると装置を破損する恐れがあります。ケーブルが挟まれないように注意して下さい。

警告! ケーブルが押しつぶされることがないように、ケーブルの適切な引き回し方法について取扱説明書を必ず読んで下さい。

危険! ワークステーションを上下に動かす際は、指を可動部に近づけないようにして下さい。

ワークステーションを上下に動かす前に、備え付けの部品がしっかりと固定されていることを確認して下さい。部品がきちんとワークステーションに固定されていない状態で動かした場合、部品がワークステーションから落下し損傷する可能性があります。

## Dichiarazioni di avvertenza

Non superare la capacità di carico del prodotto. Il sovraccarico del prodotto potrebbe causare danni o lesioni.

Evitare che le parti dei cavi del componente restino impigliate tra le parti mobili, poiché potrebbero causare danni alle apparecchiature.

Attenzione! Per ridurre il rischio di pizzicare o schiacciare i cavi assicurarsi di leggere attentamente le istruzioni su come stenderli correttamente.

Pericolo di schiacciamento! Tenere lontane le dita da parti in movimento quando si è in fase di regolazione della stazione di lavoro.

Assicurarsi che l'attrezzatura montata sulla stazione di lavoro siano fisse prima di sollevare o abbassare la stessa. Se l'attrezzatura non è fissa potrebbe cadere dalla stazione di lavoro e provocare dei danni.

## Avertissements

Ne dépassez pas la capacité pondérale du produit. Une surcharge du produit peut entraîner des blessures ou des dommages matériels.

Veillez à ce qu'aucun câble des composants ne se coince entre des parties mobiles au risque d'endommager le matériel.

Attention! Pour réduire le risque de câbles pincés, assurez-vous que vous lisez et suivez les instructions pour acheminer les câbles correctement.

Risque de pincement! Ne pas approcher les doigts des composants mobiles quand vous levez ou abaissez le poste de travail.

Assurez-vous que l'équipement est fixé sur le poste de travail de manière sécurisée avant de le lever ou l'abaisser. Si l'équipement n'est pas sécurisé, il peut se tomber du poste de travail lorsque vous le déplacez et vous risquez de l'endommager.

## Mensagens de aviso

Não exceda a capacidade de peso deste produto. Sobrecarregar este produto pode resultar em ferimentos ou danos de propriedade.

Não deixe que qualquer parte dos cabos do seu componente fique presa entre partes móveis, uma vez que pode resultar em danos ao equipamento.

Atenção! Para reduzir o risco de cabos trilhados, certifique-se de que leu e seguiu as instruções sobre como guiar devidamente os seus cabos.

Risco de dedos trilhados! Mantenha os dedos afastados dos componentes em movimento quando mover a estação de trabalho para cima ou para baixo.

Certifique-se de que o equipamento montado na estação de trabalho está seguro antes de mover a estação de trabalho para cima ou para baixo. Se o equipamento não estiver seguro, pode cair abaixo da estação de trabalho quando o mover e o equipamento pode ficar danificado.

## Advertencias de uso

Asegúrese de no exceder la capacidad de peso de este producto. La sobrecarga de este producto puede causar lesiones personales o daños en la propiedad.

No permita que una parte o la totalidad de los cables de los componentes queden atascados en piezas en movimiento, ya que esto puede producir daños en el equipo.

¡Advertencia! Para reducir el riesgo de cables aplastados, asegúrese de leer y seguir las instrucciones acerca de cómo tender su cableado de forma adecuada.

¡Peligro de Aplastamiento! Mantenga sus dedos alejados de las partes móviles al desplazar la estación de trabajo hacia arriba o hacia abajo.

Asegúrese de que el equipo instalado en la estación de trabajo esté asegurado antes de moverla hacia arriba o hacia abajo. Si el equipo no estuviera asegurado, podría caerse de la estación de trabajo al desplazarla y podría averiarse.

## Warnhinweise

Überschreiten Sie nicht die Tragkraft dieses Produkts. Ein Überladen dieses Produkts kann zu Verletzungen oder zur Beschädigung des Produkts führen.

Stellen Sie sicher, dass kein Bestandteil der Kabel Ihrer Komponenten zwischen beweglichen Teilen eingeklemmt wird, da dies zur Beschädigung der Geräte führen kann.

Achtung! Um das Risiko eingeklemmter Kabel zu reduzieren, stellen Sie bitte sicher, dass Sie folgenden Anweisungen, wie Sie die Kabel ordnungsgemäß verlegen, lesen und befolgen.

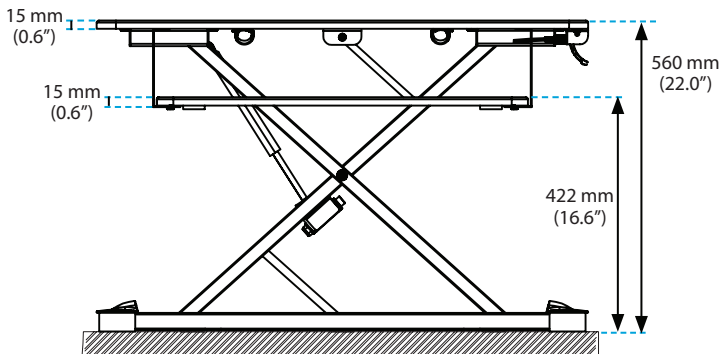
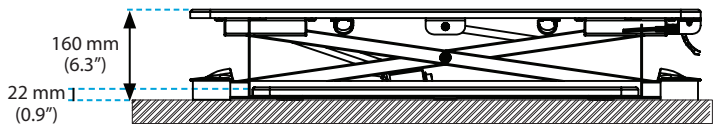
Einklemmgefahr! Halten Sie Ihre Finger fern von beweglichen Teilen wenn Sie die Arbeitsstation hoch und runter bewegen.

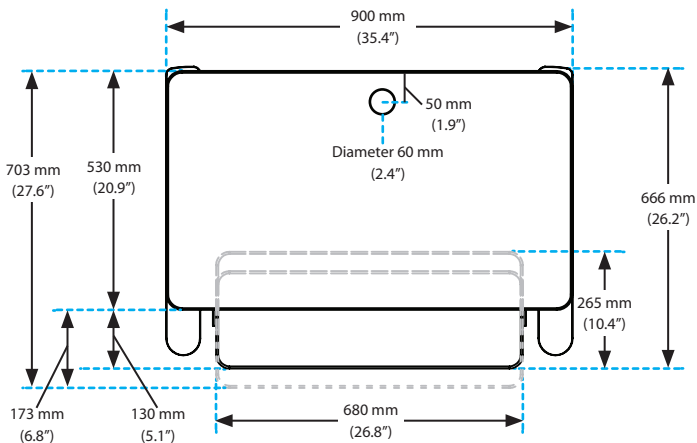
Stellen Sie sicher, dass Ihre Geräte auf der Arbeitsstation gesichert sind, bevor Sie diese hoch und runter bewegen. Sollten die Geräte nicht gesichert sein, könnten diese von der Arbeitsstation fallen und beschädigt werden, wenn Sie die Arbeitsstation bewegen.

# Table of Contents

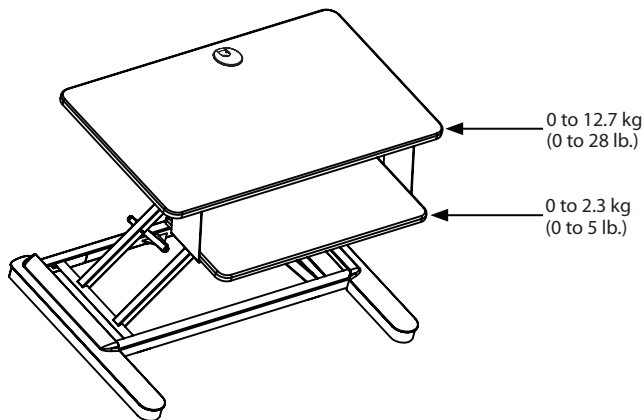
Warnings .....	i
<b>Product dimensions</b> .....	<b>1</b>
Weight capacity .....	2
<b>Package contents</b> .....	<b>3</b>
<b>Requirements</b> .....	<b>3</b>
<b>Raise or lower the ARMSTSLG</b> .....	<b>4</b>
<b>Adding equipment to the ARMSTSLG</b> .....	<b>5</b>
Place free-standing equipment onto the ARMSTSLG .....	5
Clamp equipment to the grommet hole .....	7
<b>Adjust the tension of the ARMSTSLG</b> .....	<b>9</b>
<b>Reposition the keyboard tray</b> .....	<b>10</b>
<b>Technical support</b> .....	<b>11</b>
<b>Warranty information</b> .....	<b>11</b>

# Product dimensions





## Weight capacity



# Package contents

- 1 x sit-to-stand workstation
- 1 x small hex key
- 1 x large hex key
- 1 x clamp plate
- 1 x M10 x 50 mm bolt
- 1 x  $\frac{3}{8}$  - 16 x 50 mm bolt
- 1 x instruction manual

## Requirements

- 1 x wrench (if you use the grommet hole to mount your equipment)

Requirements are subject to change. For the latest requirements, please visit [www.StarTech.com/ARMSTSLG](http://www.StarTech.com/ARMSTSLG).

# Raise or lower the ARMSTSLG

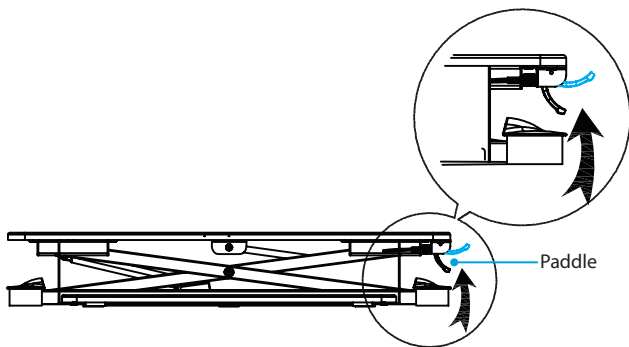
**Warning!** Before you move the workstation up or down, make sure that the equipment mounted on the workstation is secure. If your equipment is not stable, it could fall off of the workstation as you move it and the equipment could be damaged.

**Pinch hazard!** Keep your fingers away from the moving components when you move the workstation up or down.

**Caution!** Before you raise the workstation, make sure that the cables that you're using are long enough.

1. To move the workstation up or down, squeeze the paddle located on the right side of the ARMSTSLG. (*figure 1*)
2. When the workstation is at the desired height, release the paddle to lock the ARMSTSLG into position.

*figure 1*





# Adding equipment to the ARMSTSLG

You can place equipment onto the ARMSTSLG or you can use the provided hardware and grommet hole to mount your equipment to the ARMSTSLG.

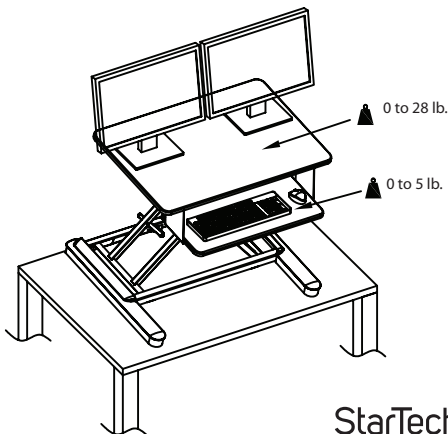
**Warning!** If you attach a monitor arm to the ARMSTSLG, make sure that you don't position the monitors beyond the edge of the desk surface. If you extend the monitors past the desk surface, you could create a tipping hazard. Make sure that you lower the ARMSTSLG to its lowest position before you add equipment to it, distribute the weight across the ARMSTSLG evenly, and don't extend the monitors beyond the edge of the adjustable desk surface.

## Place free-standing equipment onto the ARMSTSLG

1. Move the ARMSTSLG to the lowest position.
2. Place your equipment (for example, monitors, keyboard, mouse, and so on) onto the workstation. (*figure 2*)

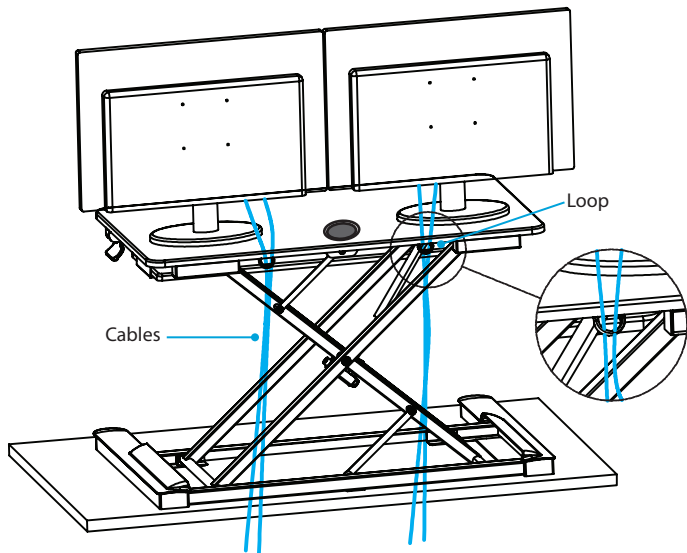
**Warning!** Do not exceed the weight capacity of the ARMSTSLG. The larger work surface can support up to 28 lb. (12.7 kg) and the keyboard tray can support up to 5 lb. (2.3 kg).

*figure 2*



3. Make sure that your equipment is stable on the workstation before you move the ARMSTSLG.
4. Raise the ARMSTSLG a short distance. If you can't easily move the ARMSTSLG upwards or it begins to move downwards when you squeeze the paddle, you need to adjust the tension. For more information about how to do this, see the "Adjust the tension of the ARMSTSLG" section of the manual.
5. Position your equipment cables so that they run through the loops located at the back of the ARMSTSLG. (figure 3)
6. If necessary, reposition the keyboard tray. For more information about how to do this, see the "Reposition the keyboard tray" section of the manual.

figure 3



## Clamp equipment to the grommet hole

**Warning!** Do not exceed the weight capacity of the ARMSTSLG. The larger work surface can support up to 28 lb. (12.7 kg) and the keyboard tray can support up to 5 lb. (2.3 kg).

StarTech.com offers optional monitor mounting accessories that you can use with the ARMSTSLG. For example, the ARMDUAL, ARMSLIM, ARMPIVOT, and so on. To attach a mounting accessory to the grommet hole on the ARMSTSLG, complete the following steps.

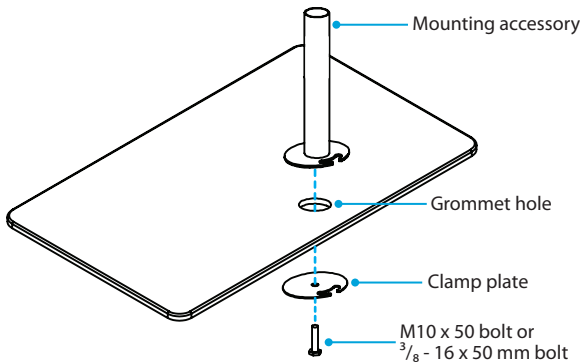
**Note:** If the mounting accessory is configured for a desk mount, you need to reconfigure it for a grommet hole mount. For more information about how to do this, see the documentation that came with the mounting accessory.

1. Move the ARMSTSLG to the highest position.
2. Position the mounting accessory over the grommet hole on the ARMSTSLG.
3. Depending on the size of the threaded hole on the mounting accessory, thread either the M10 x 50 mm bolt or the  $\frac{3}{8}$  - 16 x 50 mm bolt through the clamp plate.

**Note:** If the threaded hole on the mounting accessory isn't compatible with the bolts provided with the ARMSTSLG, you may need to use the hardware that came with the mounting accessory.

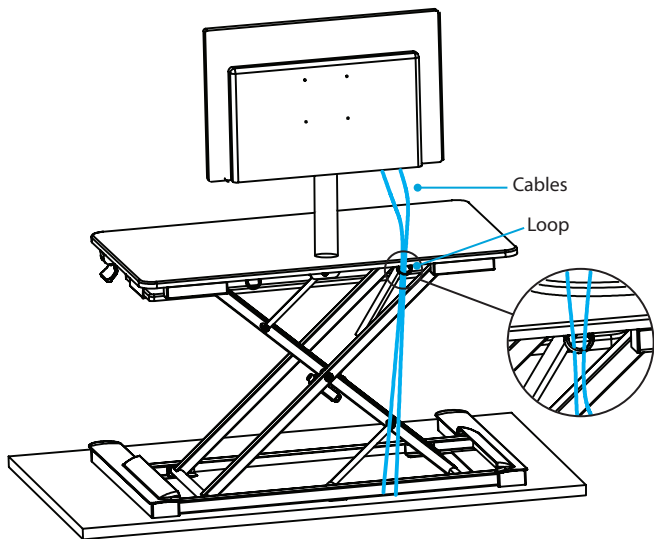
4. Hold the mounting accessory upright, thread the bolt up through the grommet hole and into the accessory, and use a wrench to tighten the bolt. (figure 4)

figure 4



5. To mount additional equipment, move the ARMSTSLG to the lowest position and add your equipment.
6. Make sure that your equipment is stable on the workstation before you move the ARMSTSLG.
7. Raise the ARMSTSLG a short distance. If you can't easily move the ARMSTSLG upwards or it begins to move downwards when you squeeze the paddle, you need to adjust the tension. For more information about how to do this, see the "Adjust the tension of the ARMSTSLG" section of the manual.
8. Position your equipment cables so that they run through the loops located at the back of the ARMSTSLG. (*figure 5*)
9. If necessary, reposition the keyboard tray. For more information about how to do this, see the "Reposition the keyboard tray" section of the manual.

figure 5

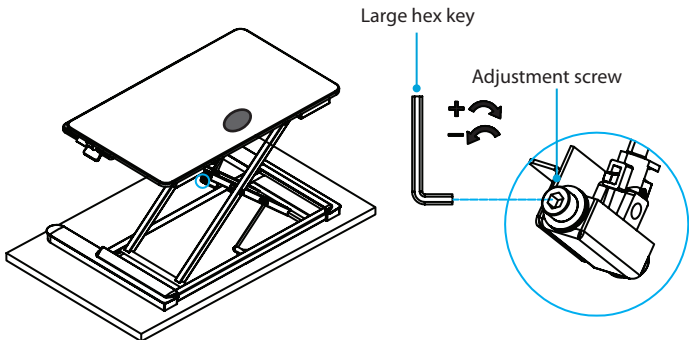


# Adjust the tension of the ARMSTSLG

**Warning!** Remove all equipment from the ARMSTSLG before you begin to adjust the tension.

1. Carefully remove all of the equipment from the ARMSTSLG.
2. Raise the ARMSTSLG to the highest position.
3. To adjust the tension of the ARMSTSLG, use the large hex key to turn the adjustment screw clockwise or counterclockwise. (figure 6)
4. To check to see if the tension requires further adjustment, move the ARMSTSLG to the lowest position. Place the equipment back onto the ARMSTSLG and do one of the following:
  - If the tension is at the appropriate setting for the weight of the equipment, move the ARMSTSLG to the desired height.
  - If you need to adjust the tension further, complete steps 1 to 3 until the tension is at the appropriate setting for the weight of the equipment.

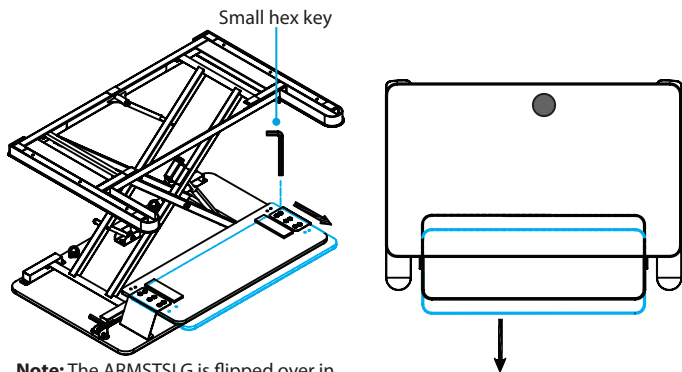
figure 6



# Reposition the keyboard tray

1. Remove the equipment from the keyboard tray.
2. Raise the ARMSTSLG to a position that enables you to access the underside of the keyboard tray.
3. Use the small hex key to remove the two sets of six screws from the underside of the keyboard tray. (*figure 7*)
4. Move the keyboard tray, line up the holes, and insert the two sets of six screws.
5. Use the small hex key to tighten the screws.

figure 7



**Note:** The ARMSTSLG is flipped over in the first drawing to illustrate where the screws are located.

# Technical support

StarTech.com's lifetime technical support is an integral part of our commitment to provide industry-leading solutions. If you ever need help with your product, visit [www.startech.com/support](http://www.startech.com/support) and access our comprehensive selection of online tools, documentation, and downloads.

For the latest drivers/software, please visit [www.startech.com/downloads](http://www.startech.com/downloads)

## Warranty information

This product is backed by a two-year warranty.

StarTech.com warrants its products against defects in materials and workmanship for the periods noted, following the initial date of purchase. During this period, the products may be returned for repair, or replacement with equivalent products at our discretion. The warranty covers parts and labor costs only. StarTech.com does not warrant its products from defects or damages arising from misuse, abuse, alteration, or normal wear and tear.

### Limitation of Liability

In no event shall the liability of StarTech.com Ltd. and StarTech.com USA LLP (or their officers, directors, employees or agents) for any damages (whether direct or indirect, special, punitive, incidental, consequential, or otherwise), loss of profits, loss of business, or any pecuniary loss, arising out of or related to the use of the product exceed the actual price paid for the product. Some states do not allow the exclusion or limitation of incidental or consequential damages. If such laws apply, the limitations or exclusions contained in this statement may not apply to you.

Hard-to-find made easy. At StarTech.com, that isn't a slogan. It's a promise.

StarTech.com is your one-stop source for every connectivity part you need. From the latest technology to legacy products — and all the parts that bridge the old and new — we can help you find the parts that connect your solutions.

We make it easy to locate the parts, and we quickly deliver them wherever they need to go. Just talk to one of our tech advisors or visit our website. You'll be connected to the products you need in no time.

Visit [www.startech.com](http://www.startech.com) for complete information on all StarTech.com products and to access exclusive resources and time-saving tools.

*StarTech.com is an ISO 9001 Registered manufacturer of connectivity and technology parts. StarTech.com was founded in 1985 and has operations in the United States, Canada, the United Kingdom and Taiwan servicing a worldwide market.*