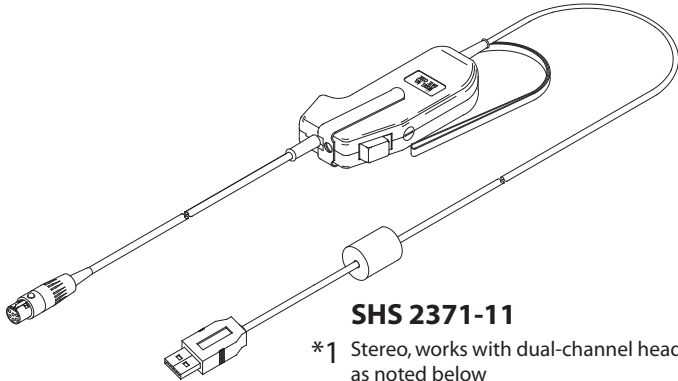


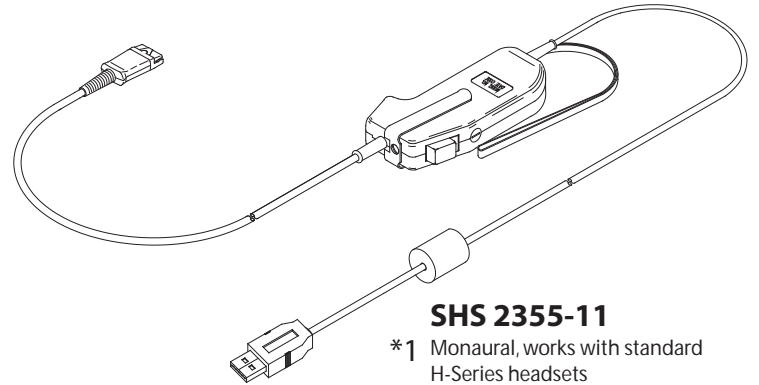


# USB Push-to-Talk Adapters



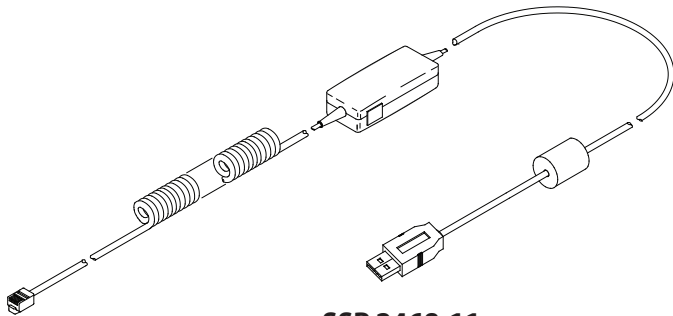
**SHS 2371-11**

\*1 Stereo, works with dual-channel headsets as noted below



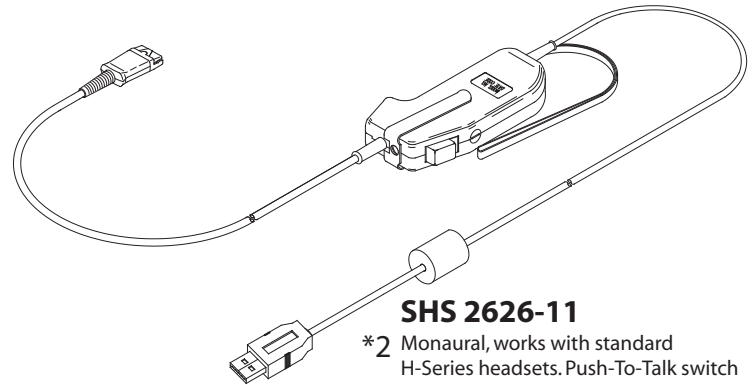
**SHS 2355-11**

\*1 Monaural, works with standard H-Series headsets



**SSP 2468-11**

\*1 Works with CA12CD-S and Walker PTT Handset, Model PTS-K-6M-NC4



**SHS 2626-11**

\*2 Monaural, works with standard H-Series headsets. Push-To-Talk switch is in series with the headset microphone

## Compatible with standard USB drivers.

**\*1 The Push-to-Talk switch enumerates as button 1 of a single button game controller.**

**\*2 The Push-to-Talk switch turns the microphone on and off and provides "Secure Voice" functionality (it does not enumerate as button 1).**

- > Push-to-Talk products by Poly, are now available with USB interfaces. They are based upon products that are the proven standard for Air Traffic Control and Public Safety Dispatch.
- > Used with training simulators, VoIP communications and speech recognition - anywhere that high quality USB audio with push-to-talk switching is required.
- > Available in monaural and stereo.
- > The SHS 2371-11 works with Dual Channel headsets such as the HW261N-DC. Left channel only headsets (Models SHS 2069-01 & SHS 2378-01) are also available.
- > USB Foot Switch, Model SSP 2646-11 is available upon request.  
USB Desktop Push-to-Talk Microphone, Model SSP 2753-11 is available upon request.