

FPMA-D700DV

NEOMOUNTS BY NEWSTAR MONITOR DESK

SPECIFICATIONS

GENERAL

Min. screen size*	10 inch
Max. screen size*	27 inch
Min. weight	0 kg (per screen)
Max. weight	6 kg (per screen)
Screens	2
VESA minimum	75x75 mm
VESA maximum	100x100 mm
Desk mount	Clamp

FUNCTIONALITY

Type	Full motion
	Tilt
	Rotate
	Swivel
Height adjustment	0-70 cm
Depth adjustment	13 cm
Tilt (degrees)	180°
Swivel (degrees)	180°
Rotate (degrees)	360°
Adjustment type	Manual

INFORMATION

Color	Black
Main material	Steel
Warranty	5 year
EAN code	8717371444174

*Please note: The inch sizes stated are just an indication, combined with the weight and VESA sizes. The maximum weight and VESA size are absolute restrictions for the products and should not be exceeded.



Neomounts by Newstar Tilt/Turn/Rotate Dual Desk Mount (clamp) for two 10-27" Monitor Screens ONE ABOVE OTHER, Height Adjustable - Black

The Neomounts by Newstar desk mount, model FPMA-D700DV is a tilt-, swivel and rotatable desk mount for 2 flat screens up to 24". This mount is a great choice for space saving placement on desks using a desk clamp.

Neomounts by Newstar's versatile tilt (180°), rotate (360°) and swivel (180°) technology allows the mount to change to any viewing angle to fully benefit from the capabilities of the flat screen. The mount is manually height adjustable from 0 to 70 centimetres. Depth 13 centimetres.

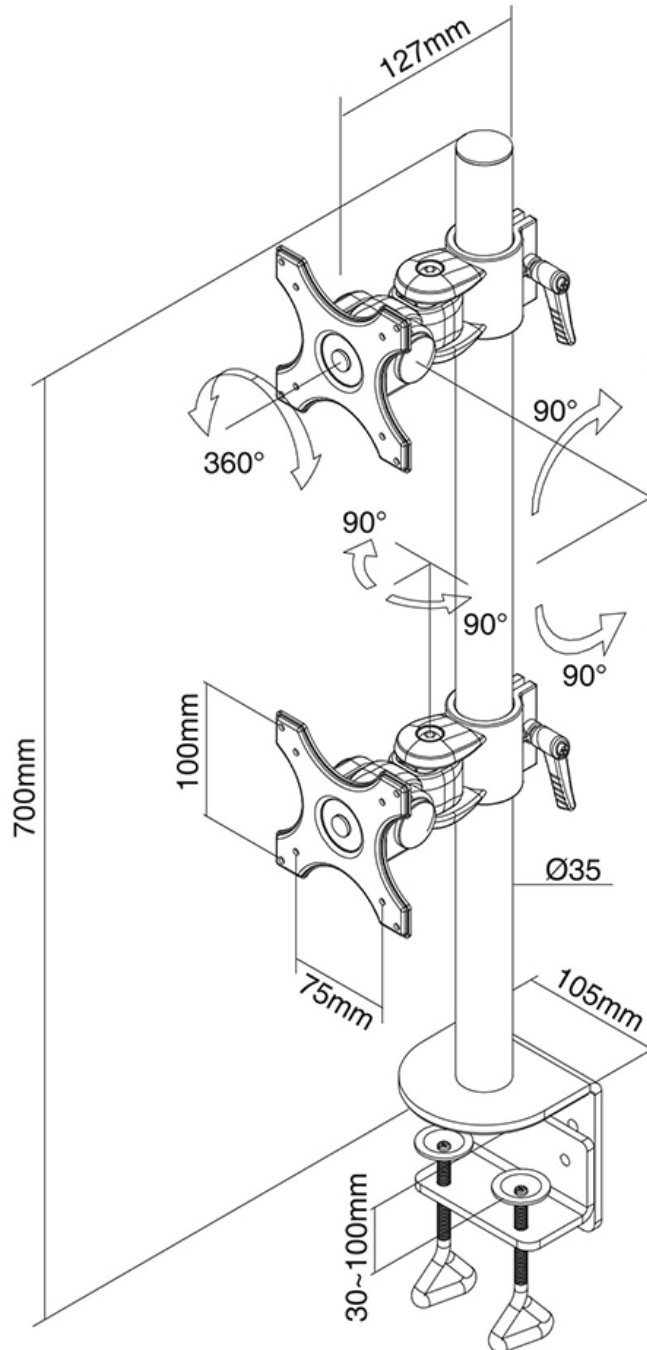
Neomounts by Newstar FPMA-D700DV has two pivot points and is suitable for screens up to 27" (69 cm). The weight capacity of this product is 6 kg each screen. The desk mount is suitable for screens that meet VESA hole pattern 75x75 or 100x100mm. Different hole patterns can be covered using Neomounts by Newstar VESA adapter plates.

By using an ergonomic mount neck- and back complaints can be avoided. Ideal for use in offices and on counters or in a reception area.

All installation material is included with the product.

FPMA-D700DV

NEOMOUNTS BY NEWSTAR MONITOR DESK



Neomounts