

APP



Google Play and the Google Play logo are trademarks of Google Inc.



Apple and the Apple logo are trademarks of Apple Inc.



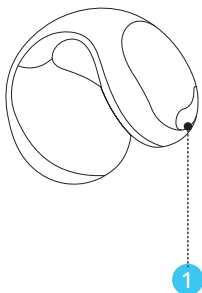
Download the soundcore app to check the battery level of the earbuds, customize controls, update firmware and explore more exciting features.

If your earbuds cannot connect with the soundcore app, re-install the app or update it to the latest version in your mobile app store.

Click this link to download: <http://dl-soundcore.soundcore.com/qcdl?flow=soundcore>

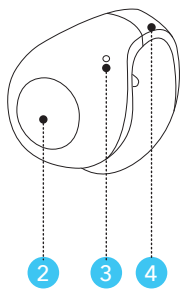
OVERVIEW

Front:



1. Sound Outlet

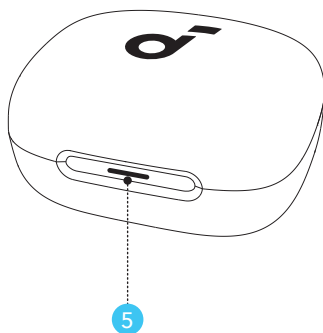
Back:



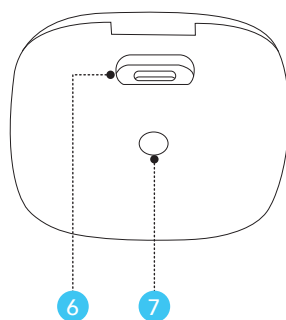
2. Intuitive Button

3. Microphone

4. C-Bridge



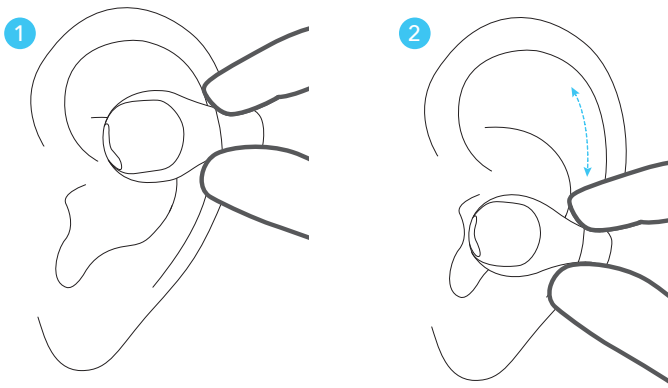
5. LED Indicator



6. USB-C Charging Port

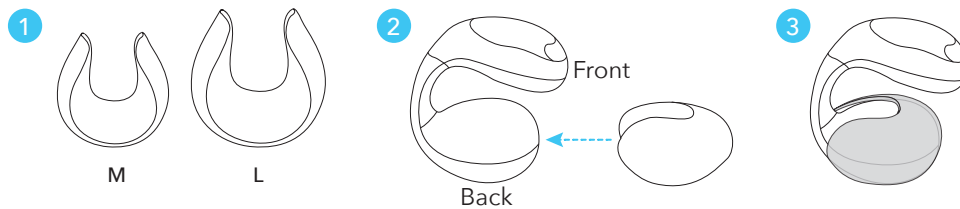
7. Charging Case Button

WEARING

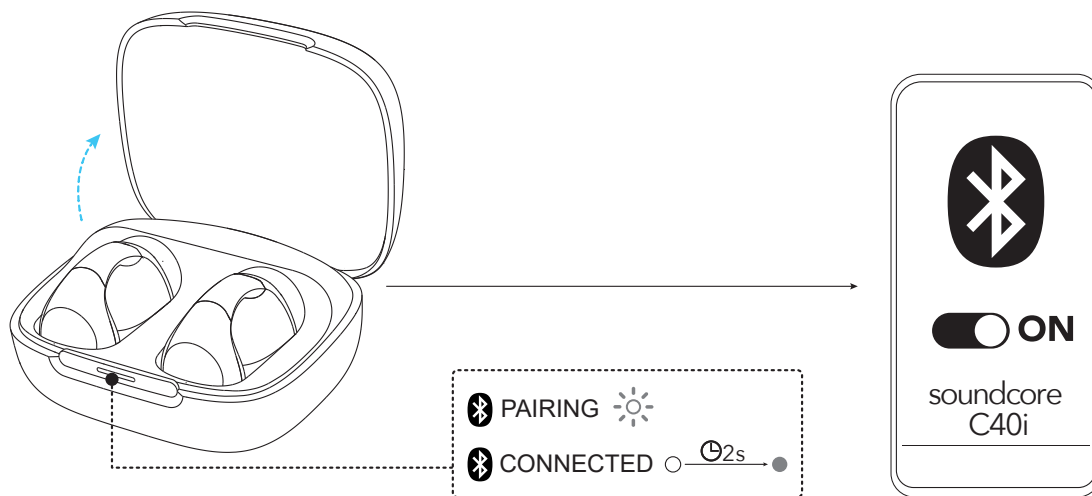


1. Hold your ears with one hand, and gently clamp the earbuds onto the upper part of your auricles. Make sure the front side faces your ear canal and the back side with intuitive button rests behind your ear.
2. Move the earbuds upwards or downwards until the earbuds fit securely and you can hear the sound well.

If the fit feels loose, you can choose between M or L size ear grips to enhance stability.

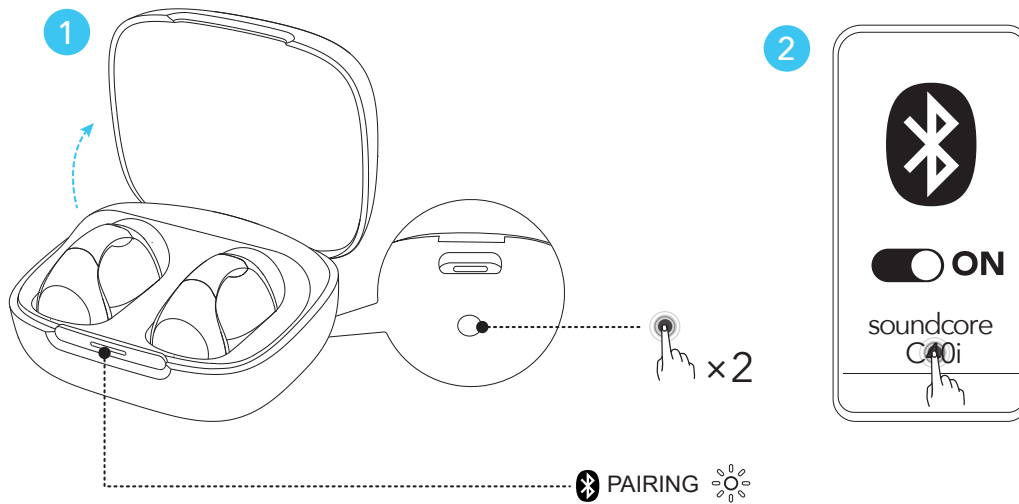


POWERING ON & PAIRING



1. Before first use, take the earbuds out of the case and remove the insulation films on them.
 2. Place the earbuds back into the charging case and close the lid.
 3. Reopen the case to power on the earbuds and enter pairing mode. Select "**soundcore C40i**" from your device's Bluetooth list.
- When pairing, the LED indicator will start flashing white. After the pairing is successful, the LED indicator will stay on for 2 seconds and then go off.

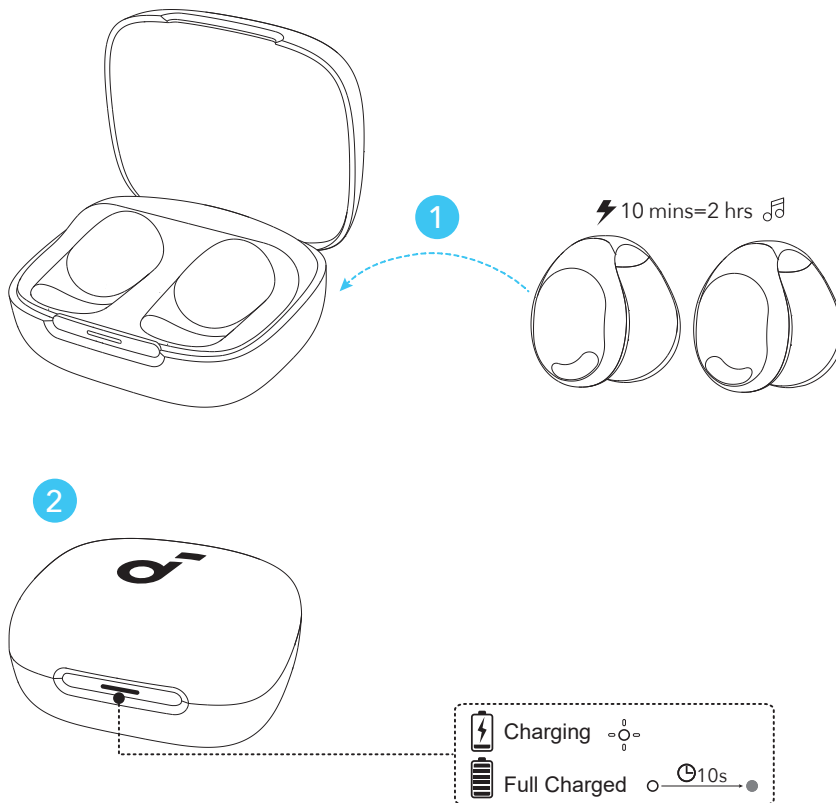
MANUAL PAIRING



To manually enter Bluetooth pairing mode:

1. Place the earbuds in the charging case and leave the case open. Double press the charging case button until the LED indicator starts flashing white.
2. Proceed to pair with your device.

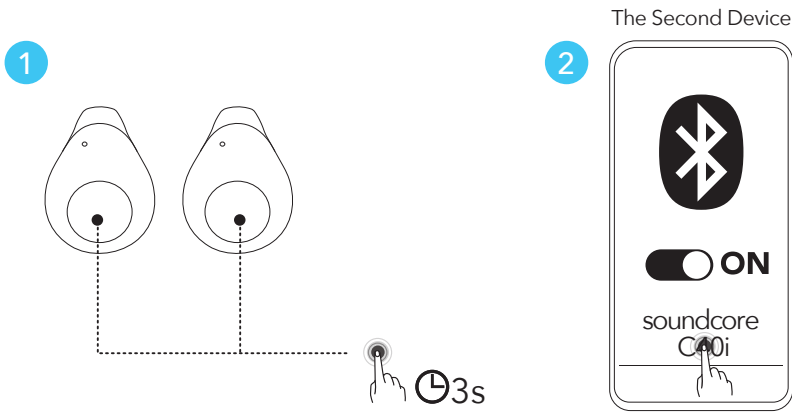
CHARGING



1. Place the earbuds in the charging case and close it.
 - Fully dry off the earbuds and the USB-C charging port before charging.
2. Connect the charging case to a power supply by using the provided USB-C charging cable.
 - 10 minutes of charging with the case offers 2 hours of playtime.
 - Low Battery Indication: When the battery of earbuds fall below 20%, the LED indicator will flash for 3 seconds once the earbuds are back in the case.

DUAL CONNECTIONS

To connect the earbuds with two Bluetooth devices at the same time, there are two methods:



Method 1: Manual Pairing with the Second Device

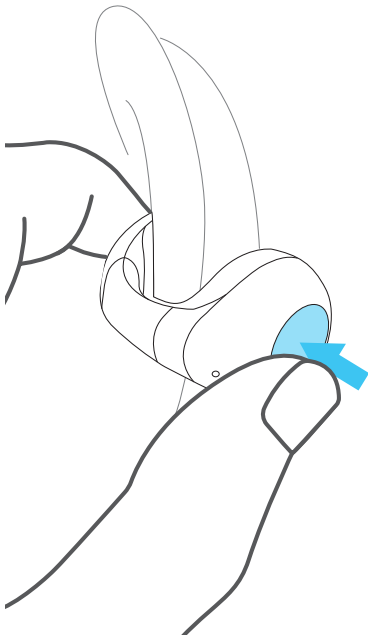
While wearing the earbuds, press and hold the intuitive button on both earbuds for 3 seconds until you hear a voice prompt of entering pairing mode. Then you can proceed to pair with the second device. Please note that if you attempt to connect a third device, the earbuds will automatically disconnect from the first device, as the earbuds can only connect to a maximum of two devices simultaneously.

Method 2: Using the soundcore App

In the soundcore app, tap **Dual Connections** on the main interface, then proceed to **Connect New Device**.

Dual Connections feature is enabled by default.

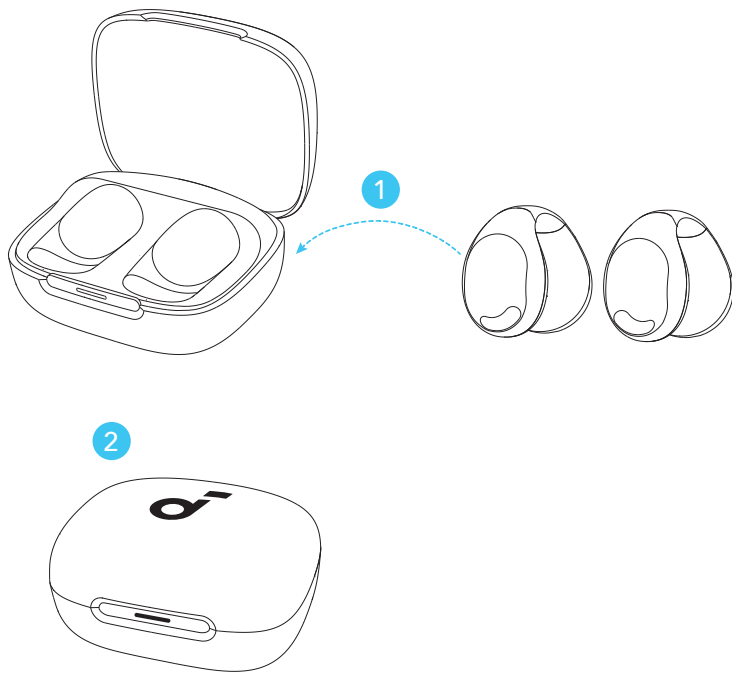
CONTROLS



* You can also customize controls in the soundcore app.

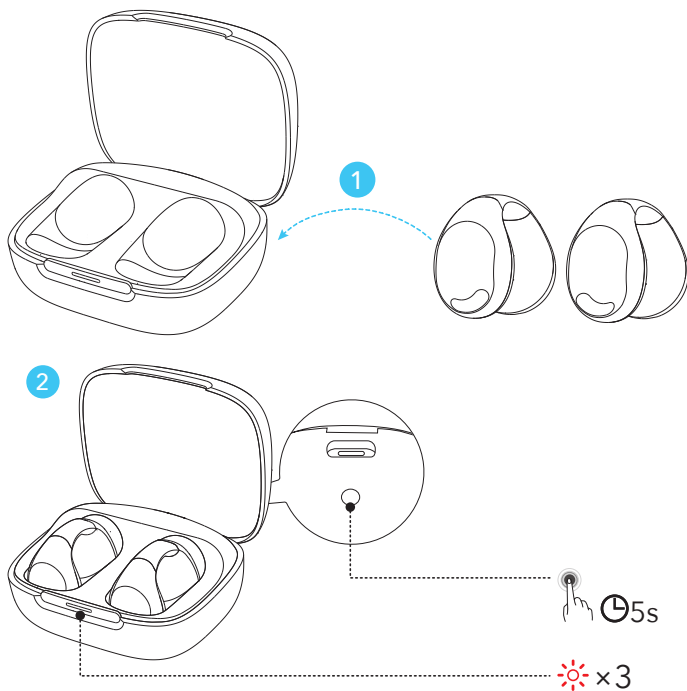
🎵	Play / Pause	Single Press (L/R)
	Next Track	Double Press (L/R)
☎️	Answer a Call	Single Press (L/R)
	Hang up / Reject a Call	Double Press (L/R)
📶	Activate Dual Connections	Press and Hold for 3 Seconds (L&R)

POWERING OFF



To power off, return the earbuds to the charging case and close the case.

RESET



Place the earbuds in the charging case and leave the case open. Press and hold the charging case button for 5 seconds until the LED indicator flashes red slowly three times.

FIRMWARE UPDATE

You will be informed once a new firmware version is detected when you connect the earbuds to the app. Ensure the earbuds are placed in the charging case and the case remains open until the firmware update is complete. During the update, ensure the earbuds are being charged and avoid any usage.

SPECS

Specifications are subject to change without notice.

Input	5V $\overline{\text{---}}$ 0.5A
Output	5V $\overline{\text{---}}$ 0.28A (0.14A per port)
Battery capacity	Earbud: 70mAh Charging Case: 460mAh
Playtime	7 hours / 21 hours
Charging time	Earbud: $\leq 1\text{h}$ (0%-100%) Earbud+Charging Case: $\leq 2\text{h}15\text{m}$ (0%-100%)
Driver unit	12mm*17mm
Frequency response	20HZ-20KHZ
Impedance	22 Ω \pm 15% at 1KHz, Input:0.148 V
Waterproof rating (earbuds)	IPX4
Bluetooth version	5.4
Bluetooth range	10M

CUSTOMER SERVICE



service@soundcore.com
support.me@soundcore.com (For Middle East and Africa Only)
support@anker.com (日本)
support.kr@anker.com



+1 (800) 988 7973 (US/Canada)
+44 (0) 1604 936200 (UK)
+49 (0) 69 9579 7960 (DE)
03 4455 7823 (日本)
+86 400 0550 036 (中国)
+82 1666-8470 (한국)
+971 8000320817 (UAE)
+966 8008500030 (KSA)
+965 22069086 (Kuwait)
+20 8000000826 (Egypt)
+61 3 8331 4800 (Australia)
+90 (850) 460 14 14 (Türkiye)
+8 (800) 511-86-23 (Russia)
000-8000-504-414 (India)

Note: The 'x' of SN Code: xxxxxxxxxxxxxxxx is a variable, see below table.

Variable 'x'	Range of variable	Content
Eighth	8,9,A,B,C...	Denotes the year, 8 means 2018, 9 means 2019, A means 2020, B means 2021, C means 2022, and so on.
Ninth and tenth	01,02,03...	Denotes weeks, 01 means the first week in this year, 02 means the secondary week in this year, and so on.
Eleventh	1-7	Denotes date, 1 means Monday, 2 means Tuesday..., 7 means Sunday and so on.
The last five	00001-99999	Denotes serial No.

Hereby, Anker Innovations Limited declares that this device is in compliance with The Product Security and Telecommunications Infrastructure (Security Requirements for Relevant Connectable Products) Regulations 2023. For the Statement of Compliance, visit the website: <https://uk.soundcore.com/pages/psti-related>.

1. Power consumption in standby mode: $\leq 0.5W$
2. Powermanagement: $\leq 20min$
3. Information of applicable adapter:
Brand: ANKER
Manufacturer: Anker Innovations Limited
Model: A2337
Input: 100-240Vac, 1A, 50-60Hz
Output: 5V \equiv 3A / 9V \equiv 3A / 12V \equiv 2.5A / 15V \equiv 2A / 20V \equiv 1.5A (30W Max)

Default Open Port: Classic Bluetooth

Port Description: After the device is powered on, Classic Bluetooth visibility (or pairing mode) is automatically enabled, providing Bluetooth pairing (or control) services. The Bluetooth service is disabled when the device is powered off.