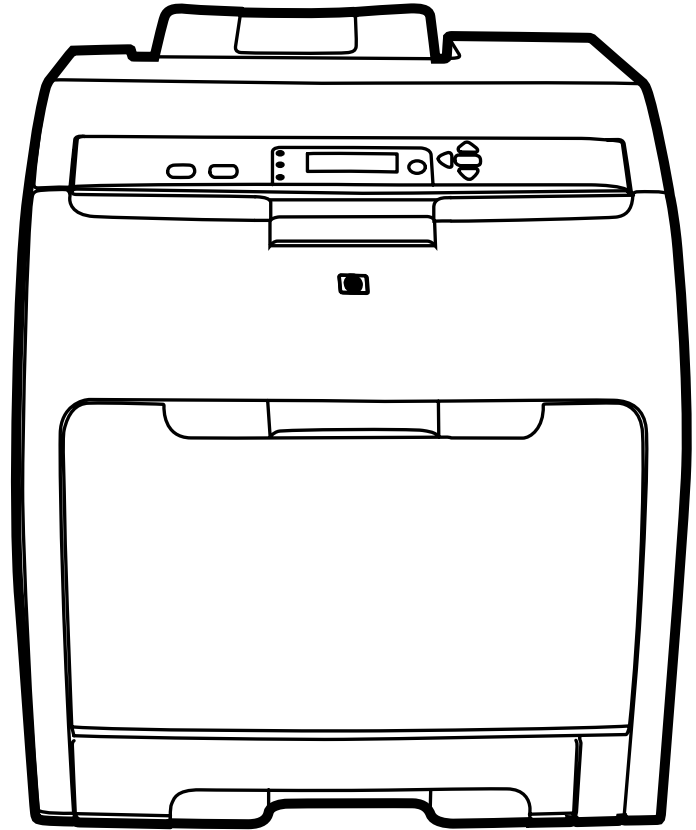


HP Color LaserJet 3000/3600/3800 Series printers User Guide



HP Color LaserJet 3000, 3600, and 3800 Series printers

User Guide



Copyright and License

© 2005 Copyright Hewlett-Packard Development Company, L.P.

Reproduction, adaptation, or translation without prior written permission is prohibited, except as allowed under the copyright laws.

The information contained herein is subject to change without notice.

The only warranties for HP products and services are set forth in the express warranty statements accompanying such products and services. Nothing herein should be construed as constituting an additional warranty. HP shall not be liable for technical or editorial errors or omissions contained herein.

Part number: Q5982-90907

Edition 1, 11/2005

Trademark Credits

Adobe® is a trademark of Adobe Systems Incorporated.

Arial® is a U.S. registered trademark of the Monotype Corporation.

CorelDRAW™ is a trademark or registered trademark of Corel Corporation or Corel Corporation Limited.

Microsoft® is a U.S. registered trademark of the Microsoft Corporation.

Windows® and MS Windows®, are U.S. registered trademarks of Microsoft Corp.

Netscape Navigator is a U.S. trademark of Netscape Communications Corporation.

Opera™ is a trademark of Opera Software ASA.

PANTONE® is Pantone, Inc's check-standard trademark for color.

PostScript® is a trademark of Adobe Systems Incorporated.

UNIX® is a registered trademark of The Open Group.

Energy Star® and the Energy Star® logo are U.S. registered marks of the United States Environmental Protection Agency.



HP Customer Care

Online Services

For 24-hour access to updated HP printer-specific software, product information, and support information using an Internet connection, go to the appropriate Web site.

- HP Color LaserJet 3000 Series printer: www.hp.com/support/clj3000
- HP Color LaserJet 3600 Series printer: www.hp.com/support/clj3600
- HP Color LaserJet 3800 Series printer: www.hp.com/support/clj3800

Go to www.hp.com/support/net_printing for information about the HP Jetdirect external print server.

HP Instant Support Professional Edition (ISPE) is a suite of Web-based troubleshooting tools for desktop computing and printing products. Go to instantsupport.hp.com.

Telephone support

HP provides free telephone support during the warranty period. For the telephone number for your country/region, see the flyer that shipped with the printer, or visit www.hp.com/support/callcenters. Before calling HP, have the following information ready: the product name and serial number, the date of purchase, and a description of the problem.

Software utilities, drivers, and electronic information

- HP Color LaserJet 3000 Series printer: www.hp.com/go/clj3000_software
- HP Color LaserJet 3600 Series printer: www.hp.com/go/clj3600_software
- HP Color LaserJet 3800 Series printer: www.hp.com/go/clj3800_software

The Web page for the drivers is in English, but you can download the drivers themselves in several languages.

HP direct ordering for accessories or supplies

- United States: www.hp.com/sbso/product/supplies.
- Canada: www.hp.ca/catalog/supplies
- Europe: www.hp.com/supplies
- Asia-Pacific: www.hp.com/paper/

To order genuine HP parts or accessories, go to the HP Parts Store at www.hp.com/buy/parts (U.S. and Canada only), or call 1-800-538-8787 (U.S.) or 1-800-387-3154 (Canada).

HP service information

To locate HP-Authorized Dealers, call 1-800-243-9816 (U.S.) or 1-800-387-3867 (Canada).

Outside the United States and Canada, call the customer support number for your country/region. See the flyer that shipped in the box with the printer.

HP service agreements

Call 1-800-835-4747 (U.S.) or 1-800-268-1221 (Canada).

For extended service, call 1-800-446-0522.

The HP Easy Printer Care Software

To check the printer status and settings and view troubleshooting information and online documentation, use the HP Easy Printer Care Software. You must have performed a complete software installation in order to use the HP Easy Printer Care Software. See [Using the HP Easy Printer Care Software](#).

HP support and information for Macintosh computers

Go to www.hp.com/go/macosex for Macintosh OS X support information and HP subscription service for driver updates.

Go to www.hp.com/go/mac-connect for products that are designed specifically for the Macintosh user.

Table of contents

1 Printer basics

Quick access to printer information.....	2
Printers at a glance.....	3
HP Color LaserJet 3000 Series printer.....	3
HP Color LaserJet 3600 Series printer.....	4
HP Color LaserJet 3800 Series printer.....	4
Features at a glance.....	5
Walkaround.....	7
Printer software.....	9
HP Color LaserJet 3000 Series printer and HP Color LaserJet 3800 Series printer drivers.....	9
HP Color LaserJet 3600 Series printer drivers.....	9
Additional drivers.....	10
Opening the printer drivers.....	11
Software for networks.....	11
HP Web Jetadmin.....	12
UNIX.....	12
Linux.....	12
Utilities.....	12
HP Easy Printer Care Software.....	12
Embedded Web server.....	12
Features.....	13
Other components and utilities.....	13
Print-media specifications.....	14
Supported media types.....	14
Supported media sizes.....	15

2 Control panel

Control-panel overview.....	18
Control-panel indicator lights.....	19
Display.....	19
Using the control-panel menus.....	21
To use the menus.....	21
Retrieve Job menu.....	22
Information menu.....	23
Paper Handling menu.....	24
Configure Device menu.....	25
Printing sub-menu.....	25
Print Quality sub-menu.....	27

System Setup sub-menu.....	28
I/O sub-menu.....	31
Resets sub-menu.....	31
Diagnostics menu.....	33
Changing printer control-panel configuration settings.....	34
Tray Behavior menu options.....	34
To set the Use Requested Tray feature.....	34
To set the Manually Feed Prompt feature.....	35
To set the PS Defer Media feature.....	35
To set the Use Another Tray feature.....	35
To set the Size/Type Prompt feature.....	35
To set the Duplex Blank Pages feature.....	36
Sleep Delay and Sleep Mode features.....	36
To set the Sleep Delay feature.....	36
To disable or enable the Sleep Mode feature.....	37
Display Brightness feature.....	37
To set the Display Brightness feature.....	37
Personality feature.....	37
To set the Personality feature.....	37
Clearable Warnings feature.....	38
To set the Clearable Warnings feature.....	38
Auto Continue feature.....	38
To set the Auto Continue feature.....	38
Replace Supplies feature.....	39
To set the Replace Supplies feature.....	39
Jam Recovery feature.....	39
To set the Jam Recovery feature.....	39
Language feature.....	40
To select a language.....	40
Using the printer control panel in shared environments.....	41

3 I/O configuration

USB configuration.....	44
Connecting the USB cable.....	44
Network configuration.....	45
Manually configuring TCP/IP parameters from the printer control panel.....	45
Setting an IP address.....	45
Setting the subnet mask.....	45
Setting the default gateway.....	46
Disabling network protocols (optional).....	47
To disable IPX/SPX.....	47
To disable AppleTalk.....	47
To disable DLC/LLC.....	47
Enhanced I/O (EIO) configuration.....	48
HP Jetdirect EIO print servers.....	48

4 Printing tasks

Controlling print jobs.....	50
Source.....	50
Type and Size.....	50

Priority for print settings.....	50
Gaining access to printer driver settings.....	51
Selecting print media.....	52
Paper to avoid.....	52
Paper that can damage the printer.....	52
Configuring trays.....	54
Configuring size.....	54
Configuring type.....	54
Configuring tray 1 for custom paper.....	54
Configuring tray 2 or tray 3 for custom paper.....	55
Printing from tray 1 (multipurpose tray).....	56
Loading paper into tray 1.....	57
Printing envelopes from tray 1.....	59
To load envelopes into tray 1.....	59
Printing envelopes.....	60
Printing from tray 2 and tray 3.....	61
Loading tray 2.....	61
Loading tray 3.....	64
Automatic media type sensing (auto sense mode).....	67
Tray 1 sensing.....	67
Tray 2 or tray 3 sensing.....	68
Using features in the Windows printer driver.....	69
Creating and using quick sets.....	69
Using watermarks.....	70
Resizing documents.....	70
Setting a custom paper size from the printer driver.....	70
Using different paper and printing covers.....	71
Printing a blank first page.....	71
Printing multiple pages on one sheet of paper.....	71
Setting the color options.....	72
Using the HP Digital Imaging Options dialog box.....	72
Using the Services tab.....	73
Using features in the Macintosh printer driver.....	74
Creating and using presets in Mac OS X.....	74
Printing a cover page.....	74
Printing multiple pages on one sheet of paper.....	75
Setting the color options.....	75
Printing on special media.....	76
Transparencies.....	76
Glossy paper.....	76
Colored paper.....	76
Envelopes.....	77
Labels.....	77
Heavy paper.....	77
HP LaserJet Tough paper.....	78
Preprinted forms and letterhead.....	78
Recycled paper.....	78
Using 2-sided (duplex) printing.....	79
Automatic 2-sided printing.....	79
Control-panel settings for automatic 2-sided printing.....	80

To turn 2-sided printing on or off from the control panel.....	80
Options for binding 2-sided printing jobs.....	80
Manual 2-sided printing.....	80
Managing special printing situations.....	82
Printing a different first page.....	82
Printing on custom-size media.....	82
Stopping a print request.....	82
To stop the current print job from the printer control panel.....	82
To stop the current print job from the software program.....	82
Managing stored jobs.....	84
Managing memory.....	85

5 Managing the printer

Using printer information pages.....	88
Configuring e-mail alerts.....	90
Using the embedded Web server.....	91
To access the embedded Web server by using a network connection.....	91
Embedded Web server sections.....	91
Using the HP Easy Printer Care Software.....	94
Supported operating systems.....	94
To use the HP Easy Printer Care Software.....	94
HP Easy Printer Care Software sections.....	94
Using the HP Printer Utility for Macintosh.....	96
Opening the HP Printer Utility.....	96
HP Printer Utility features.....	96

6 Color

Using color.....	100
HP ImageREt.....	100
Media selection.....	100
Color options.....	100
Standard red-green-blue (sRGB).....	100
Printing in four colors (CMYK).....	101
CMYK ink-set emulation (PostScript only).....	101
Managing color.....	102
Print in Grayscale.....	102
Automatic or manual color adjustment.....	102
Manual color options.....	102
Restricting color printing.....	103
Matching colors.....	105
Sample book color matching.....	105
Printing color samples.....	105

7 Maintenance

Managing supplies.....	108
Supplies life.....	108
Approximate print-cartridge replacement intervals.....	108
Checking the print-cartridge life.....	108
Print-cartridge storage.....	109

HP print cartridges.....	110
Non-HP print cartridges.....	110
Print-cartridge authentication.....	110
HP fraud hotline and Web site.....	110
Replacing supplies and parts.....	111
Supply replacement guidelines.....	111
Changing print cartridges.....	111
To change the print cartridge.....	112
Cleaning the printer.....	115
To clean the printer using the printer control panel.....	115

8 Problem solving

Basic troubleshooting checklist.....	118
Factors that affect printer performance.....	118
Control-panel message types.....	119
Control-panel messages.....	120
Jams.....	136
Jam recovery.....	136
Common causes of jams.....	138
Clearing jams.....	139
Paper-handling problems.....	149
Troubleshooting-information pages.....	154
Printer response problems.....	156
Printer control-panel problems.....	159
Color-printing problems.....	160
Incorrect printer output.....	162
Printer output problems.....	162
Guidelines for printing with different fonts.....	163
Macintosh problems.....	164
Solving problems with Mac OS V9.x.....	164
Solving problems with Mac OS X.....	166
Software program problems.....	169
Print-quality troubleshooting.....	170
Print-quality problems associated with media.....	170
Overhead transparency defects.....	170
Print-quality problems associated with the environment.....	171
Print quality problems associated with jams.....	171
Print-quality problems associated with toner buildup inside the printer.....	171
Print-quality-troubleshooting pages.....	171
Calibrating the printer.....	172

Appendix A Supplies and accessories

Parts and supplies.....	174
Ordering by using the embedded Web server.....	176

Appendix B Service and support

Hewlett-Packard limited warranty statement.....	178
Print cartridge, transfer unit, and fuser limited warranty statement.....	179
HP maintenance agreements.....	180

On-site service agreements.....	180
Next-day on-site service.....	180
Weekly (volume) on-site service.....	180
Extended warranty.....	180
Repacking the printer.....	181

Appendix C Printer specifications

Physical specifications.....	183
Electrical specifications.....	184
Power-consumption specifications.....	185
Acoustic specifications.....	186
Operating-environment specifications.....	187

Appendix D Regulatory information

FCC regulations.....	190
Environmental product stewardship program.....	191
Protecting the environment.....	191
Ozone production.....	191
Power consumption.....	191
Toner consumption.....	191
Paper use.....	191
Plastics.....	191
HP LaserJet printing supplies.....	191
HP printing supplies returns and recycling program information.....	192
Paper.....	192
Material restrictions.....	192
Disposal of waste equipment by users in private households in the European Union.....	193
Material Safety Data Sheet (MSDS).....	193
Extended warranty.....	193
For more information.....	193
Declaration of conformity (HP Color LaserJet 3000 series).....	194
Declaration of conformity (HP Color LaserJet 3600 series and HP Color LaserJet 3800 series).....	195
Safety statements.....	196
Laser safety.....	196
Canadian DOC regulations.....	196
EMI statement (Korea).....	196
VCCI statement (Japan).....	196
Power cord statement (Japan).....	196
Laser statement for Finland.....	196

Appendix E Working with memory

Printer memory.....	199
Installing memory DIMMs.....	200
To install memory and font DIMMs.....	200
Enabling memory.....	202
To enable memory for Windows.....	202
Checking DIMM installation.....	203
To check DIMM installation.....	203

Glossary.....	205
Index.....	207

1 Printer basics

This chapter contains basic information about the printer features:

- [Quick access to printer information](#)
- [Printers at a glance](#)
- [Features at a glance](#)
- [Walkaround](#)
- [Printer software](#)
- [Print-media specifications](#)

Quick access to printer information

Several references are available for use with this printer.

- **HP Color LaserJet 3000 Series printer:** www.hp.com/support/clj3000.
- **HP Color LaserJet 3600 Series printer:** www.hp.com/support/clj3600.
- **HP Color LaserJet 3800 Series printer:** www.hp.com/support/clj3800.

The following table lists available printer guides and the type of information that they include.

Table 1-1 Printer guides





Guide	Description
Getting started guide	Provides step-by-step instructions for installing and setting up the printer.
HP Jetdirect Embedded Print Server Administrator's Guide	Provides instructions to configure and troubleshoot the HP Jetdirect print server.
Accessory and consumable installation guides	Provide step-by-step instructions for installing the accessories and supplies. (These guides are supplied with the optional printer accessories and supplies.)
User guide	Provides detailed information for using and troubleshooting the printer. Available on the printer CD.
Online Help	Provides information about options that are available in the printer drivers. To view a Help file, open the online Help through the printer driver.

Printers at a glance

The HP Color LaserJet 3000, 3600, and 3800 Series printers are available in the configurations described below.




HP Color LaserJet 3000 Series printer

Table 1-2 HP Color LaserJet 3000 Series printer configurations

HP Color LaserJet 3000 printer	HP Color LaserJet 3000n printer	HP Color LaserJet 3000dn printer	HP Color LaserJet 3000dtn printer
			
<ul style="list-style-type: none"> ● Prints up to 30 pages-per-minute (ppm) on letter-size media or 29 ppm on A4-size media in monochrome (black and white) and 15 ppm in color. ● 100-sheet multipurpose tray (tray 1) and 250-sheet input tray (tray 2) ● Hi-Speed universal serial bus (USB) 2.0 port and enhanced input/output (EIO) slot ● 64 megabytes (MB) of random access memory (RAM) 	<p>HP Color LaserJet 3000 printer, plus:</p> <ul style="list-style-type: none"> ● 128 MB RAM ● HP Jetdirect full-featured embedded print server to connect to 10Base-T/100Base-TX networks 	<p>HP Color LaserJet 3000 printer, plus:</p> <ul style="list-style-type: none"> ● 256 MB RAM ● HP Jetdirect full-featured embedded print server to connect to 10Base-T/100Base-TX networks ● Automatic 2-sided (duplex) printing 	<p>HP Color LaserJet 3000 printer, plus:</p> <ul style="list-style-type: none"> ● 256 MB RAM ● HP Jetdirect full-featured embedded print server to connect to 10Base-T/100Base-TX networks ● Automatic 2-sided (duplex) printing ● 500-sheet input tray (tray 3)





HP Color LaserJet 3600 Series printer

Table 1-3 HP Color LaserJet 3600 Series printer configurations

HP Color LaserJet 3600 printer	HP Color LaserJet 3600n printer	HP Color LaserJet 3600dn printer
		
<ul style="list-style-type: none"> • 17 ppm print speed • 100-sheet multipurpose tray (tray 1) and 250-sheet input tray (tray 2) • Hi-Speed USB 2.0 port • 64 MB RAM 	<p>HP Color LaserJet 3600 printer, plus:</p> <ul style="list-style-type: none"> □ HP Jetdirect value-featured embedded print server to connect to 10Base-T/100Base-TX networks 	<p>HP Color LaserJet 3600 printer, plus:</p> <ul style="list-style-type: none"> • 128 MB RAM • Automatic 2-sided (duplex) printing • HP Jetdirect value-featured embedded print server to connect to 10Base-T/100Base-TX networks

HP Color LaserJet 3800 Series printer

Table 1-4 HP Color LaserJet 3800 Series printer configurations

HP Color LaserJet 3800 printer	HP Color LaserJet 3800n printer	HP Color LaserJet 3800dn printer	HP Color LaserJet 3800dtn printer
			
<ul style="list-style-type: none"> • 22 ppm (letter-size) or 21 ppm (A4) print speed • 100-sheet multipurpose tray (tray 1) and 250-sheet input tray (tray 2) • Hi-Speed USB 2.0 port and EIO slot • 96 megabytes (MB) of random access memory (RAM) 	<p>HP Color LaserJet 3800 printer, plus:</p> <ul style="list-style-type: none"> • 160 MB RAM • HP Jetdirect full-featured embedded print server to connect to 10Base-T/100Base-TX networks 	<p>HP Color LaserJet 3800 printer, plus:</p> <ul style="list-style-type: none"> • 288 MB RAM • Automatic 2-sided (duplex) printing • HP Jetdirect full-featured embedded print server to connect to 10Base-T/100Base-TX networks 	<p>HP Color LaserJet 3800 printer, plus:</p> <ul style="list-style-type: none"> • 288 MB RAM • Automatic 2-sided (duplex) printing • HP Jetdirect full-featured embedded print server to connect to 10Base-T/100Base-TX networks • 500-sheet input tray (tray 3).

Features at a glance

Table 1-5 Features

Feature	HP Color LaserJet 3000 Series printer	HP Color LaserJet 3600 Series printer	HP Color LaserJet 3800 Series printer
Performance	<input type="checkbox"/> 533 MHz processor	<input type="checkbox"/> 360 MHz processor	<input type="checkbox"/> 533 MHz processor
User interface	<ul style="list-style-type: none"> • Graphic display • Control-panel help • HP Easy Printer Care Software (a Web-based status and troubleshooting tool) • Windows and Macintosh printer drivers • Embedded Web server to gain access to support and to order supplies (administrator tool for network-connected models only) 	<ul style="list-style-type: none"> • Graphic display • Control-panel help • HP Easy Printer Care Software (a Web-based status and troubleshooting tool) • Windows and Macintosh printer drivers 	<ul style="list-style-type: none"> • Graphic display • Control-panel help • HP Easy Printer Care Software (a Web-based status and troubleshooting tool) • Windows and Macintosh printer drivers • Embedded Web server to gain access to support and to order supplies (administrator tool for network-connected models only)
Printer drivers	<ul style="list-style-type: none"> • HP PCL 5c • HP PCL 6 • PostScript® 3 emulation 	HP JetReady 4.2	<ul style="list-style-type: none"> • HP PCL 5c • HP PCL 6 • PostScript 3 emulation
Storage features	<ul style="list-style-type: none"> • Fonts, forms, and other macros • Job retention 	None	<ul style="list-style-type: none"> • Fonts, forms, and other macros • Job retention
Fonts	<ul style="list-style-type: none"> • 80 internal fonts available for both PCL and PostScript 3 emulation • 80 printer-matching screen fonts in TrueType format available with the software solution 	None	<ul style="list-style-type: none"> • 80 internal fonts available for both PCL and PostScript 3 emulation • 80 printer-matching screen fonts in TrueType format available with the software solution
Accessories	<ul style="list-style-type: none"> • Optional 500-sheet input tray (tray 3) (standard on the HP Color LaserJet 3000dtn printer) • Dual inline memory modules (DIMM) 	<input type="checkbox"/> Optional 500-sheet input tray (tray 3)	<ul style="list-style-type: none"> • Optional 500-sheet input tray (tray 3) (standard on the HP Color LaserJet 3800dtn printer) • Dual inline memory modules (DIMM)
Connectivity	<ul style="list-style-type: none"> • Hi-Speed USB 2.0 cable interface • HP Jetdirect full-featured embedded print server (standard on the HP Color LaserJet 3000n, 3000dn, and 3000dtn printers) • HP Web Jetadmin software (standard on the HP Color LaserJet 3000n, 3000dn, and 3000dtn printers) • Enhanced input/output (EIO) slot 	<ul style="list-style-type: none"> • Hi-Speed USB 2.0 cable interface • HP Jetdirect value-featured embedded print server (standard on the HP Color LaserJet 3600n and 3600dn printers) • HP Web Jetadmin software (standard on the HP Color LaserJet 3600n and 3600dn printers) 	<ul style="list-style-type: none"> • Hi-Speed USB 2.0 cable interface • HP Jetdirect full-featured embedded print server (standard on the HP Color LaserJet 3800n, 3800dn, and 3800dtn printers) • HP Web Jetadmin software (standard on the HP Color LaserJet 3800n, 3800dn, and 3800dtn printers) • Enhanced input/output (EIO) slot

Table 1-5 Features (continued)

Feature	HP Color LaserJet 3000 Series printer	HP Color LaserJet 3600 Series printer	HP Color LaserJet 3800 Series printer
Environmental features	<ul style="list-style-type: none">• Sleep Mode setting• High content of recyclable components and materials• Energy Star® qualified		
Supplies	<ul style="list-style-type: none">• Supplies status page contains information about toner level, page count, and estimated pages remaining.• No-shake cartridge design• Printer checks for authentic HP print cartridges at cartridge installation.• Internet-enabled supply-ordering capabilities (using HP Easy Printer Care Software)		
Accessibility	<ul style="list-style-type: none">• The online user guide is compatible with text screen-readers.• Print cartridges can be installed and removed by using one hand.• All doors and covers can be opened by using one hand.• Media can be loaded in tray 1 by using one hand.		

Walkaround

The following illustrations identify the locations and names of key printer components.

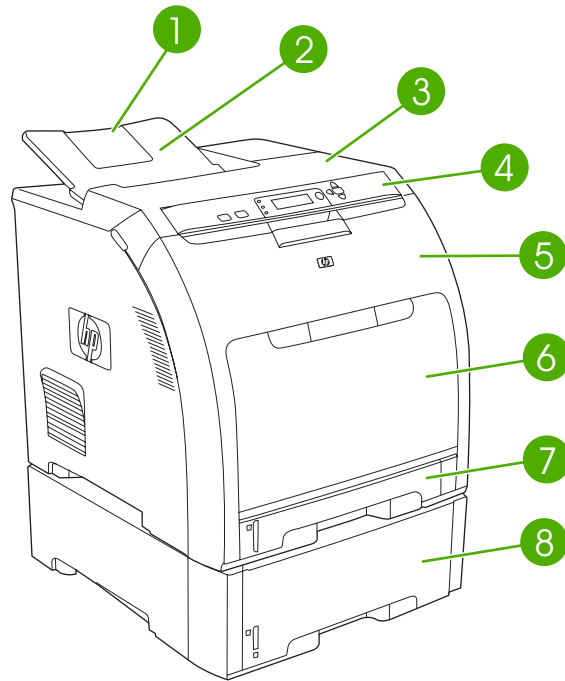


Figure 1-1 Front view (shown with optional 500-sheet paper feeder)

1	Output bin extender
2	Output bin
3	Top cover
4	Printer control panel
5	Front door
6	Tray 1 (holds 100 sheets of standard paper)
7	Tray 2 (holds 250 sheets of standard paper)
8	Tray 3 (optional; holds 500 sheets of standard paper)

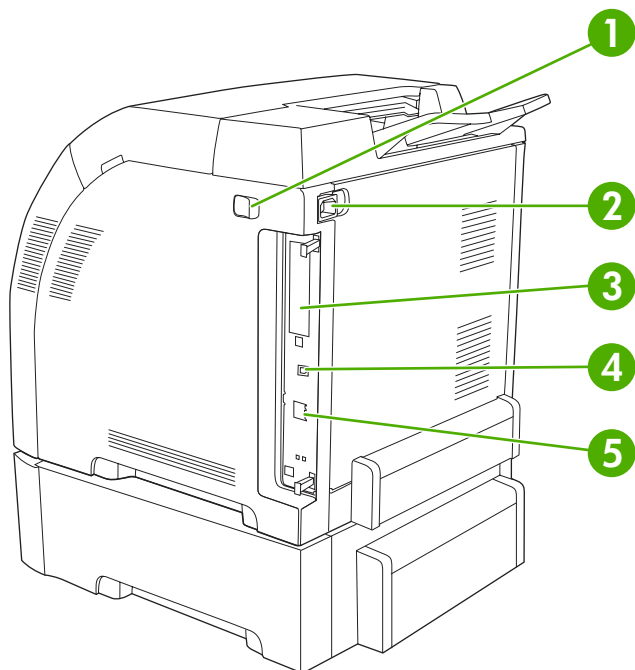


Figure 1-2 Back and side view

1	On/off switch
2	Power connection
3	EIO slot (available on the HP Color LaserJet 3000 and 3800 Series printers)
4	Hi-Speed USB 2.0 port
5	Network port (available on the HP Color LaserJet 3000n, 3000dn, 3000dtn, 3600n, 3600dn, 3800n, 3800dn, and 3800dtn printers)

Printer software

The printing-system software is included with the printer. See the getting started guide for installation instructions.

The printing system includes software for end users and network administrators, and printer drivers for access to the printer features and communication with the computer.



NOTE For a list of the network environments that the network-administrator software components support, see [Network configuration](#).

For a list of printer drivers and updated HP printer software for the HP Color LaserJet 3000 Series printer, go to www.hp.com/go/clj3000_software. For the HP Color LaserJet 3600 Series printer, go to www.hp.com/go/clj3600_software. For the HP Color LaserJet 3800 Series printer, go to www.hp.com/go/clj3800_software.

HP Color LaserJet 3000 Series printer and HP Color LaserJet 3800 Series printer drivers

The HP Color LaserJet 3000 and 3800 Series printers use the PCL 5c, PCL 6, and PostScript 3 emulation PDL drivers.



NOTE For Windows 2000, Windows XP, and Windows Server 2003, the HP Color LaserJet 3000 and 3800 Series printers include a monochrome PCL 6 driver that can be installed for users who will be printing only black-and-white print jobs.

Table 1-6 Printer drivers for the HP Color LaserJet 3000 and 3800 Series printers

Operating system ¹	PCL 5c	PCL 6 ²	PS 3 emulation
Windows 98, Windows Me	✓	✓	✓
Windows 2000 ³	✓	✓	✓
Windows XP (32-bit) ⁴	✓	✓	✓
Windows Server 2003 (32-bit)	✓	✓	✓
Windows Server 2003 (64-bit)	✓	✓	✓
Mac OS v9.1 and later, and OS X v10.2 and later			✓

¹ Not all printer features are available from all drivers or operating systems.

² The HP Color LaserJet 3000 and 3800 Series printers include both a monochrome and color PCL 6 driver for Windows 2000, Windows XP, and Windows Server 2003 users.

³ For Windows 2000 and Windows XP (32-bit and 64-bit), download the PCL 5 driver from www.hp.com/go/clj3000_software or www.hp.com/go/clj3800_software.

⁴ For Windows XP (64-bit), download the PCL 6 driver from www.hp.com/go/clj3000_software or www.hp.com/go/clj3800_software.

HP Color LaserJet 3600 Series printer drivers

The HP Color LaserJet 3600 Series printer uses the HP JetReady 4.2 Page Description Language (PDL), a host-based printer language. HP JetReady 4.2 uses the combined power of the computer and

the printer to render the printed page in a Windows or Macintosh system environment. HP JetReady 4.2 transfers the prerendered pages from the host computer to the printer and communicates instructions to the printer about how to convert the pages to data that can be printed.

The HP JetReady 4.2 PDL driver is available on the installation CD for the following operating systems:

- Windows 98, Windows Millenium Edition (Me)
- Windows 2000
- Windows XP (32-bit and 64-bit)
- Windows Server 2003 (32-bit and 64-bit)
- Macintosh OS X v10.2 and later



NOTE Not all printer features are available from all drivers or operating systems.

If your system did not automatically check the Internet for the latest drivers during software installation, download them from www.hp.com/go/clj3600_software.

Additional drivers

The following drivers are not included on the CD, but are available from www.hp.com/go/clj3000_software or www.hp.com/go/clj3800_software. These drivers are for the HP Color LaserJet 3000 and 3800 Series printers only.

- UNIX® model scripts
- Linux drivers
- OS/2 PS and PCL printer driver



NOTE The OS/2 drivers are available from IBM and are packaged with OS/2. They are not available for Traditional Chinese, Simplified Chinese, Korean, and Japanese languages.

Opening the printer drivers

Operating System	To change the settings for all print jobs until the software program is closed	To change the default settings for all print jobs	To change the product configuration settings
Windows 98 and Me	<ol style="list-style-type: none"> On the File menu in the software program, click Print. Select the driver, and then click Properties. <p>The steps can vary; this procedure is most common.</p>	<ol style="list-style-type: none"> Click Start, click Settings, and then click Printers. Right-click the driver icon, and then select Properties. 	<ol style="list-style-type: none"> Click Start, click Settings, and then click Printers. Right-click the driver icon, and then select Properties. Click the Configure tab.
Windows 2000, XP, and Server 2003	<ol style="list-style-type: none"> On the File menu in the software program, click Print. Select the driver, and then click Properties or Preferences. <p>The steps can vary; this procedure is most common.</p>	<ol style="list-style-type: none"> Click Start, click Settings, and then click Printers or Printers and Faxes. Right-click the driver icon, and then select Printing Preferences. 	<ol style="list-style-type: none"> Click Start, click Settings, and then click Printers or Printers and Faxes. Right-click the driver icon, and then select Properties. Click the Device Settings tab.
Mac OS 9.1 or later (HP Color LaserJet 3000 and 3800 Series printers only)	<ol style="list-style-type: none"> On the File menu, click Print. Change the settings that you want on the various pop-up menus. 	<ol style="list-style-type: none"> On the File menu, click Print. As you change settings on the pop-up menu, click Save Settings. 	<ol style="list-style-type: none"> Click the desktop printer icon. From the Printing menu, click Change Setup.
Mac OS X V10.2 and V10.3	<ol style="list-style-type: none"> On the File menu, click Print. Change the settings that you want on the various pop-up menus. 	<ol style="list-style-type: none"> On the File menu, click Print. Change the settings that you want on the various pop-up menus. On the Presets pop-up menu, click Save as and type a name for the preset. <p>These settings are saved in the Presets menu. To use the new settings, you must select the saved preset option every time you open a program and print.</p>	<ol style="list-style-type: none"> In the Finder, on the Go menu, click Applications. Open Utilities, and then open Print Center (Mac OS X V10.2) or Printer Setup Utility (Mac OS X V10.3). Click on the print queue. On the Printers menu, click Show Info. Click the Installable Options menu.



NOTE Configuration settings might not be available in Classic mode.

Software for networks

For a summary of available HP network installation and configuration software solutions, see the *HP Jetdirect Embedded Print Server Administrator's Guide*. You can find this guide on the printer CD.

HP Web Jetadmin

HP Web Jetadmin is a browser-based management tool for HP Jetdirect-connected printers within your intranet, and it should be installed only on the network administrator's computer.

To download a current version of HP Web Jetadmin and for the latest list of supported host systems, visit www.hp.com/go/webjetadmin.

When installed on a host server, any client can gain access to HP Web Jetadmin by using a supported Web browser (such as Microsoft Internet Explorer 4.x or Netscape Navigator 4.x or later) by navigating to the HP Web Jetadmin host.

UNIX

For HP-UX and Solaris networks, go to www.hp.com/support/net_printing to download the HP Jetdirect printer installer for UNIX.



NOTE The HP Color LaserJet 3600 Series printer does not support UNIX printing.

Linux

For information, go to www.hp.com/go/linuxprinting.

Utilities

The HP Color LaserJet 3000, 3600, and 3800 Series printers are equipped with several utilities that make it easy to monitor and manage the printer on a network.

HP Easy Printer Care Software

The HP Easy Printer Care Software is a software program that you can use for the following tasks:

- Checking the printer status
- Checking the supplies status
- Setting up alerts
- Viewing printer documentation
- Gaining access to troubleshooting and maintenance tools

You can view the HP Easy Printer Care Software when the printer is directly connected to your computer or when it is connected to a network. Perform a complete software installation in order to use the HP Easy Printer Care Software.

Embedded Web server



NOTE The HP Color LaserJet 3600 Series printer embedded Web server provides network configuration and status information only.

The printers are equipped with an embedded Web server, which allows access to information about printer and network activities. This information appears in a Web browser, such as Microsoft Internet Explorer or Netscape Navigator.

The embedded Web server resides on the printer. It is not loaded on a network server.

The embedded Web server provides an interface to the printer that anyone who has a network-connected computer and a standard Web browser can use. No special software is installed or configured, but you must have a supported Web browser on your computer. To gain access to the embedded Web server, type the IP address for the printer in the address line of the browser. (To find the IP address, print a configuration page. For more information about printing a configuration page, see [Using printer information pages.](#))

Features

Use the HP embedded Web server for the following tasks:

- View printer status information
- Determine the remaining life on all supplies and order new ones
- View and change tray configurations
- View and change the printer control panel menu configuration
- View and print internal pages
- Set up e-mail notification for certain printer and supplies events
- Add or customize links to other Web sites
- Select the language in which to display the embedded Web server pages
- View and change network configuration
- Control access to color printing features (HP Color LaserJet 3000 Series printer only)
- View support content that is printer-specific and specific to the current printer state

For a complete explanation of the features and functionality of the embedded Web server, see [Using the embedded Web server.](#)

Other components and utilities

Several software programs are available for Windows and Macintosh users.

Windows	Macintosh OS
<ul style="list-style-type: none">● Software installer — automates the printing system installation● Online Web registration	<ul style="list-style-type: none">● PostScript Printer Description files (PPDs) — for use with the Apple PostScript drivers that come with the Mac OS● The HP Printer Utility—allows you to change printer settings from a Mac. This utility is supported for Mac OS X v10.2 and v10.3.

Print-media specifications

For optimum results, use conventional 75 g/m² to 90 g/m² (20 to 24 lb) photocopy paper. Verify that the paper is of good quality and is free of cuts, nicks, tears, spots, loose particles, dust, wrinkles, curls, or bent edges.

Supported media types

Table 1-7 Tray 1 media types

Type	Dimensions	Weight or thickness	Capacity ¹
Plain	Minimum: 76 x 127 mm (3 x 5 in)	60 to 163 g/m ² (16 to 43 lb bond)	100 sheets
Glossy paper	Maximum: 216 x 356 mm (8.5 x 14 in)	HP Color LaserJet 3600 and 3800: 75 to 220 g/m ² (20 to 58 lb bond) HP Color LaserJet 3000: 75 to 120 g/m ² (20 to 32 lb bond)	60 sheets
Transparencies ²		0.12 to 0.13 mm thick (4.7 to 5 mils thick)	60 sheets
Envelopes		60 to 90 g/m ² (16 to 24 lb bond)	10 envelopes
Labels		75 to 163 g/m ² (20 to 43 lb bond)	60 sheets
Cardstock		163 to 220 g/m ² (43 to 58 lb cover)	60 sheets

¹ Capacity can vary depending on media weight and thickness and environmental conditions. Smoothness should be 100 to 250 (Sheffield). For ordering information, see [Supplies and accessories](#).

² Use only transparencies that are designed for use with HP Color LaserJet printers. This printer can detect transparencies that were not designed for use with HP Color LaserJet printers. For more information, see [Print Quality sub-menu](#).

Table 1-8 Tray 2 and tray 3 media types

Type	Dimensions	Weight or thickness	Tray 2 capacity ¹	Tray 3 capacity ¹
Plain	Minimum: 148 x 210 mm (5.83 x 8.27 in)	60 to 120 g/m ² (16 to 32 lb bond)	250 sheets	500 sheets
Glossy paper		106 to 120 g/m ² (28 to 32 lb bond)	100 sheets	200 sheets
Transparencies ²	Maximum: 215.9 x 355.6 mm (8.5 x 14 in)	0.12 to 0.13 mm thick (4.7 to 5 mils thick)	50 sheets	100 sheets
Labels		75 to 163 g/m ² (20 to 43 lb bond)	50 sheets	100 sheets

¹ The printer supports a wide range of standard and custom sizes of print media. Capacity can vary depending on media weight and thickness and environmental conditions. Smoothness should be 100 to 250 (Sheffield). For ordering information, see [Supplies and accessories](#).

² Use only transparencies that are designed for use with HP Color LaserJet printers. This printer can detect transparencies that were not designed for use with HP Color LaserJet printers. For more information, see [Print Quality sub-menu](#).

Supported media sizes

Table 1-9 Supported media sizes

Input tray	Letter	Legal	A4	A5	8.5 x 13	Executive (JIS)	B5 (JIS)	Custom	Statement	Envelope ¹
Tray 1	✓	✓	✓	✓	✓	✓	✓	✓	✓	✓
Tray 2, tray 3	✓	✓	✓	✓	✓	✓	✓	✓		

¹ Supported envelope sizes are #10, Monarch, C5, DL, and B5.

Table 1-10 Automatic 2-sided printing ¹

Media size	Dimensions	Weight and thickness
Letter	216 x 279 mm (8.5 x 11 in)	60 to 120 g/m ² (16 to 32 lb bond)
Legal	216 x 356 mm (8.5 x 14 in)	
A4	210 x 297 mm (8.3 x 11.7 in)	
8.5 x 13	216 x 330 mm (8.5 x 13 in)	

¹ Automatic 2-sided printing on weights heavier than those shown can produce unexpected results.



NOTE Automatic 2-sided (duplex) printing is available with the HP Color LaserJet 3000dn, 3000dtn, 3600dn, 3800dn, and 3800dtn printers.

Manual 2-sided printing. Most of the supported media sizes and types listed for printing from tray 1 can be manually duplexed. See [Using 2-sided \(duplex\) printing](#) for more information.

2 Control panel

This chapter contains information about the printer control panel, which provides controls for printer functions and communicates information about the printer and print jobs.

- [Control-panel overview](#)
- [Using the control-panel menus](#)
- [Retrieve Job menu](#)
- [Information menu](#)
- [Paper Handling menu](#)
- [Configure Device menu](#)
- [Diagnostics menu](#)
- [Changing printer control-panel configuration settings](#)
- [Using the printer control panel in shared environments](#)

Control-panel overview

The control panel provides controls for printer functions and shows messages about the printer, print jobs, and supplies status.

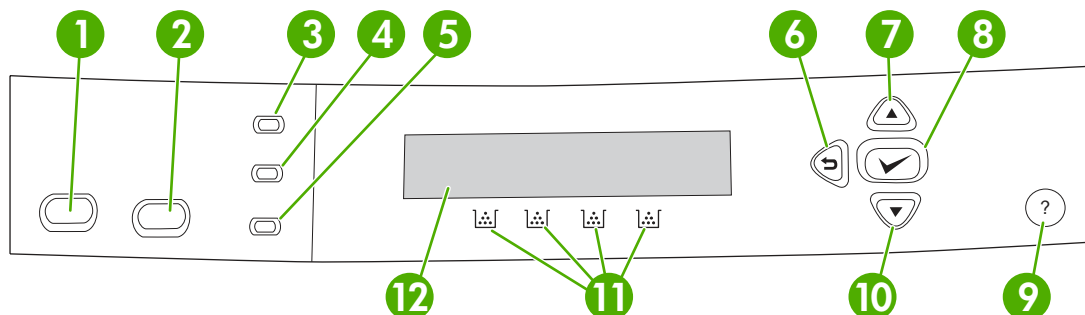


Figure 2-1 Control panel buttons and lights

Number	Button or light	Function
1	Stop button	Halts the current job, presents a choice to resume or cancel the current print job, clears media from the printer, and clears any continuable errors that are associated with the halted job. If the printer is not printing a job, pressing Stop pauses the printer.
2	Menu button	Opens and closes menus.
3	Ready light	Indicates that the printer is online or offline. See Control-panel indicator lights .
4	Data light	Indicates whether or not the printer is receiving data. See Control-panel indicator lights .
5	Attention light	Indicates that a critical error has occurred. See Control-panel indicator lights .
6	Back arrow (↶) button	Navigates backward in nested menus.
7	Up arrow (▲) button	Navigates menus and text, and increases the values of numerical items in the display.
8	Select (✓) button	Makes selections, resumes printing after continuable errors, and overrides a non-HP print cartridge.
9	Help (?) button	Provides detailed information about printer messages or menus.
10	Down arrow (▼) button	Navigates menus and text, and decreases the values of numerical items in the display.
11	Supplies gauge	Shows the print cartridge-consumption levels. See Display .
12	Display	Shows status information, menus, help information, and error messages. See Display .

The printer communicates through the display and the lights on the lower part of the control panel. The display shows status information, as well as menus, help information, and error messages. The Ready, Data, and Attention lights provide at-a-glance information about the printer state.

You can perform most routine printing tasks from the computer through the printer driver or any software program. Use the control panel to access printer features not supported by the printer driver or software program. Any changes that you make from the computer will override the printer control-panel settings. For information about using the printer driver, see [Printer software](#).

Control-panel indicator lights

Indicator	On	Off	Flashing
Ready (green)	Printer is online (can accept and process data).	Printer is offline (paused), or is turned off.	Printer is attempting to stop printing and go offline. This usually results from a user's request to pause the current job.
Data (green)	Processed data is present in the printer, but more data is needed to complete the job, or the job is paused or waiting for errors to be cleared.	Printer is not processing or receiving data.	Printer is processing and receiving data.
Attention (amber)	A critical error has occurred. Printer requires attention.	No conditions exist that require attention.	An error has occurred. Printer requires attention.

Display

The printer display gives you complete, timely information about the printer and print jobs. Graphics illustrate levels of supplies. Menus provide access to printer functions and detailed information.

The top-level screen on the display has two areas: message/prompt and supplies gauge.

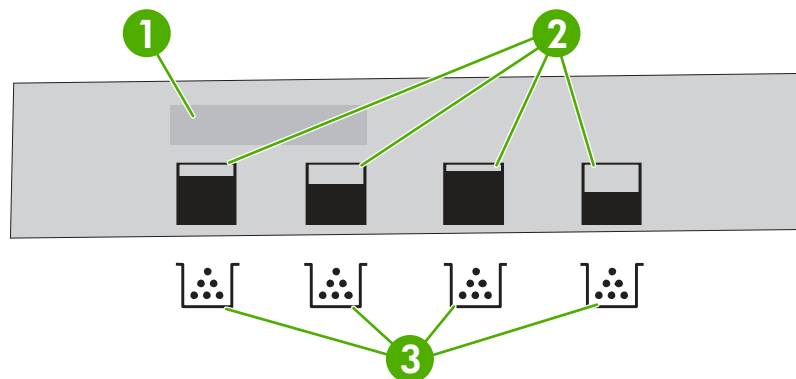


Figure 2-2 Printer display

1	Message/prompt area
2	Supplies gauge
3	Print cartridge colors from left to right: black, yellow, cyan, and magenta

The message and prompt areas of the display alert you to the state of the printer and tell you how to respond.

The supplies gauge shows the consumption levels of print cartridges (black, cyan, magenta, and yellow). When a non-HP print cartridge is installed, a ? might appear instead of the consumption level. The supplies gauge appears whenever the printer shows the **Ready** state, and whenever the printer shows a warning or error message concerning a cartridge.

Using the control-panel menus

To gain access to the control-panel menus, complete the steps below.

To use the menus

1. Press **Menu**.
2. Press ▲ or ▼ to navigate the listings.
3. Press ✓ to select the appropriate option.
4. Press ↶ to return to the previous level.
5. Press **Menu** to exit the menu.
6. Press ? to see additional information about a menu.

The main menus are shown in the table below.

Main menus	RETRIEVE JOB (HP Color LaserJet 3000 and 3800 Series printers only)
	INFORMATION
	PAPER HANDLING
	CONFIGURE DEVICE
	DIAGNOSTICS
	SERVICE

Retrieve Job menu



NOTE This feature is available for the HP Color LaserJet 3000 and 3800 Series printers only.

NOTE This menu appears only if the printer has a hard disk installed.

Use the **RETRIEVE JOB** menu to print or delete stored jobs from the control panel.

Menu item	Value	Description
<USER NAME>	ALL PRIVATE JOBS	ALL PRIVATE JOBS appears if you have more than one stored job protected by a personal identification number (PIN).
	<JOB NAME>	< JOB NAME > will be the name assigned to the print job when you sent it from your computer. Once you have selected a print job, you can print or delete it.

For more information about stored jobs, see [Managing stored jobs](#).

Information menu

Use the **INFORMATION** menu to gain access to and print specific printer information.

Sub-menu	Description
PRINT MENU MAP	Prints the control-panel menu map, which shows the layout and current settings of the control-panel menu items. See Using printer information pages .
PRINT CONFIGURATION	Prints the printer configuration page.
PRINT SUPPLIES STATUS PAGE	Prints information about toner level, page count, and estimated pages remaining.
SUPPLIES STATUS	Shows the supplies status in a scrollable list.
PRINT USAGE PAGE (HP Color LaserJet 3000 and 3800 Series printers only)	Prints a count of all media sizes that have passed through the printer; lists whether they were one-sided (simplex) , 2-sided (duplex), monochrome (black and white), or color; and reports the page count.
PRINT COLOR USAGE JOB LOG (HP Color LaserJet 3000 and 3800 Series printers only)	Prints a report that shows the user name, application name and color usage information on a job-by-job basis.
PRINT DEMO	Prints a demonstration page.
PRINT RGB SAMPLES	Prints an RGB color palette that can be used for color matching.
PRINT CMYK SAMPLES (HP Color LaserJet 3000 and 3800 Series printers only)	Prints a CMYK color palette that can be used for color matching.
PRINT FILE DIRECTORY (HP Color LaserJet 3000 and 3800 Series printers only)	Prints the names and directory of files stored in the printer.
PRINT PCL FONT LIST (HP Color LaserJet 3000 and 3800 Series printers only)	Prints the available PCL fonts.
PRINT PS FONT LIST (HP Color LaserJet 3000 and 3800 Series printers only)	Prints the available PS (emulated PostScript) fonts.

Paper Handling menu

Use the **PAPER HANDLING** menu to configure trays by size and type.



NOTE To configure the trays correctly, use this menu before you print for the first time.

Menu item	Value	Description
TRAY 1 SIZE	A list of available sizes appears.	Configures the paper size for tray 1. The default is ANY SIZE . See Supported media sizes for a complete list of available sizes.
TRAY 1 TYPE	A list of available types appears.	Configures the paper type for tray 1. The default is ANY TYPE . See Supported media sizes for a complete list of available types.
TRAY 2 SIZE TRAY 3 SIZE	A list of available sizes appears.	Configures the paper size for tray 2 or tray 3. The default size is letter or A4, depending on the country/region. See Supported media sizes for a complete list of available sizes.
TRAY 2 TYPE TRAY 3 TYPE	A list of available types appears.	Configures the paper type for tray 2 or tray 3. The default is PLAIN . See Supported media sizes for a complete list of available types.

Configure Device menu

Use the **CONFIGURE DEVICE** menu to change or reset the default print settings, to adjust the print quality, and to change the system configuration and I/O options. The five **CONFIGURE DEVICE** sub-menus are described in the sections below.

Printing sub-menu

These settings affect only jobs that do not have identified properties. Most jobs identify all of the properties and override the values that are set from this menu. This menu can also be used to set the default paper size and type.

Menu item	Values	Description
COPIES	1-32,000	Sets the default number of copies. The default number of copies is 1 .
DEFAULT PAPER SIZE	A list of available sizes appears.	Sets the default paper size.
DEFAULT CUSTOM PAPER SIZE	UNIT OF MEASURE X DIMENSION Y DIMENSION	Sets the default size for any custom job without dimensions. Available for tray 1.
DUPLEX (HP Color LaserJet 3000dn, 3000dtn, 3600dn, 3800dn, and 3800dtn printers only)	OFF ON	Enables or disables the duplex function (automatic 2-sided printing). The default is OFF . You can override this setting in the printer driver.
DUPLEX BINDING (HP Color LaserJet 3000dn, 3000dtn, 3600dn, 3800dn, and 3800dtn printers only)	LONG EDGE SHORT EDGE	Defines whether a duplex job will be flipped on the long edge or the short edge. You can override this setting in the printer driver.
OVERRIDE A4/ LETTER	NO YES	Sets the printer to print an A4 job on letter-size paper when no A4 paper is loaded, or to print a letter-size job on A4 when no letter-size paper is loaded. The default is NO .
MANUAL FEED	OFF ON	The default is OFF . Setting it to ON makes MANUAL FEED the default for jobs that do not select a tray. You can override this setting in the printer driver.
COURIER FONT (HP Color LaserJet 3000 and 3800 Series printers only).	REGULAR DARK	Selects a version of the Courier font. The default is REGULAR .
WIDE A4 (HP Color LaserJet 3000 and 3800 Series printers only)	NO YES	Sets the printable area of A4 paper so that eighty 10-pitch characters can be printed on a single line. The default is NO .
PRINT PS ERRORS	OFF ON	Select ON to print emulated PostScript (PS) error pages. The default is OFF .

Menu item	Values	Description
(HP Color LaserJet 3000 and 3800 Series printers only)		
PRINT PDF ERRORS	OFF	Select ON to print portable document format (PDF) error pages. The default is OFF .
(HP Color LaserJet 3000 and 3800 Series printers only)	ON	
PCL	FORM LENGTH	Configures settings for the printer control language.
	ORIENTATION	FORM LENGTH sets the number of lines per page. The default is 60 .
(HP Color LaserJet 3000 and 3800 Series printers only)		ORIENTATION determines long-edge versus short-edge page layout. The default is PORTRAIT .
	FONT SOURCE	FONT SOURCE selects the source of the font used on the printer control panel. The default is INTERNAL . FONT NUMBER is the number of the font you select. If this font is a contour font, use FONT PITCH to set the pitch of a fixed-space font. The default is 10.00 .
(HP Color LaserJet 3000 and 3800 Series printers only)		FONT POINT SIZE sets the size of fixed-space fonts. The default font is 12 points.
	FONT NUMBER	SYMBOL SET sets the symbol set used by the printer control panel. The default is PC-8 .
(HP Color LaserJet 3000 and 3800 Series printers only)		APPEND CR TO LF sets whether a carriage return is appended to each line feed in a backward-compatible PCL job. The default is NO .
	FONT PITCH	SUPPRESS BLANK PAGES sets whether jobs using PCL that include blank form feeds will automatically suppress the blank pages. YES indicates that form feeds will be ignored if the page is blank.
(HP Color LaserJet 3000 and 3800 Series printers only)		The PCL5 MEDIA SOURCE MAPPING command selects an input tray by a number that maps to the various available trays.
	FONT POINT SIZE	
(HP Color LaserJet 3000 and 3800 Series printers only)		
	SYMBOL SET	
	APPEND CR TO LF	
	SUPPRESS BLANK PAGES	
(HP Color LaserJet 3000 and 3800 Series printers only)		
	MEDIA SOURCE MAPPING	
(HP Color LaserJet 3000 and 3800 Series printers only)		

Print Quality sub-menu

Use this menu to adjust all aspects of print quality, including calibration, registration, and color half tone settings.

Menu item	Values	Description
ADJUST COLOR	HIGHLIGHTS	Modifies the half tone settings for each color. The default for each color is 0 .
	MIDTONES	
	SHADOWS	
	RESTORE COLOR VALUES	
SET REGISTRATION	PRINT TEST PAGE	Shifts the margin alignment to center the image on the page from top to bottom, and left to right. You can also align the image that is printed on the front with the image that is printed on the back.
	SOURCE	
	ADJUST TRAY 1	
	ADJUST TRAY 2	
	ADJUST TRAY 3	
AUTO SENSE MODE	TRAY 1 SENSING	If a tray is configured to PLAIN or ANY SIZE , and the print job does not specify the media type, the printer will adjust the print quality for the type of print media it senses. The default for tray 1 is FULL SENSING , which senses transparencies, glossy paper, and tough paper.
	TRAY >1 SENSING	
PRINT MODES	A list of media types appears. When you select a type, a list of available modes appears.	Associates each media type with a specific print mode.
OPTIMIZE	A list of parameters appears.	Optimizes certain parameters for all jobs rather than (or in addition to) optimizing by paper type.
EDGE CONTROL (HP Color LaserJet 3000 and 3800 Series printers only)	OFF	Controls how edges are printed.
	LIGHT	
	NORMAL	
	MAXIMUM	
QUICK CALIBRATE NOW		Performs a limited printer calibration.
FULL CALIBRATE NOW		Performs all printer calibrations to optimize print quality.
DELAY CALIBRATION AT WAKE/POWER-ON (HP Color LaserJet 3000 and 3800 Series printers only)	NO	Prints before the calibration process after turning on the printer or bringing it out of sleep mode.
	YES	
CREATE CLEANING PAGE (HP Color LaserJet 3000, 3000n, 3600,		Prints a cleaning page to be used for cleaning the printer. This page contains instructions for processing the cleaning page. See Cleaning the printer for more information.

Menu item	Values	Description
3600n, 3800, and 3800n printers only)		
PROCESS CLEANING PAGE		For duplexing printers, this command creates and processes the cleaning page. For non-duplexing printers, after the cleaning page is loaded in tray 1, this menu item processes the cleaning page that was created by the CREATE CLEANING PAGE command. The cleaning process takes a few moments. See Cleaning the printer for more information.

System Setup sub-menu

Use the **SYSTEM SETUP** menu to make changes to default settings for general printer configuration, such as date/time, printer personality (language), and jam recovery. See [Changing printer control-panel configuration settings](#) for more information.

Menu item	Values	Description
DATE/TIME	DATE DATE FORMAT TIME TIME FORMAT	Sets the time and date on the printer.
JOB STORAGE LIMIT (HP Color LaserJet 3000 and 3800 Series printers only)	1–100	Limits the number of stored jobs that can be saved to the printer.
JOB HELD TIMEOUT (HP Color LaserJet 3000 and 3800 Series printers only)	OFF 1 HOUR 4 HOURS 1 DAY 1 WEEK	Sets the amount of time that a stored job can remain on the printer before it is automatically deleted. The default is OFF .
SHOW ADDRESS	AUTO OFF	Select AUTO to show the printer IP address on the printer control panel, alternating with the Ready message. The default is OFF . This menu item appears only if the printer is connected to a network.
RESTRICT COLOR USE (HP Color LaserJet 3000 and 3800 Series printers only)	DISABLE COLOR ENABLE COLOR COLOR IF ALLOWED	Disables or restricts color use. The default is ENABLE COLOR . To use the COLOR IF ALLOWED setting, set up user permissions by using the embedded Web server. See Using the embedded Web server .
COLOR/BLACK MIX	AUTO MOSTLY COLOR PAGES MOSTLY BLACK PAGES	Establishes how the printer switches from color to monochrome (black and white) mode for maximum performance and print cartridge life. AUTO will reset the printer to the factory default setting. The default is AUTO .

Menu item	Values	Description
		Select MOSTLY COLOR PAGES if nearly all of your print jobs are color with high page coverage.
		Select MOSTLY BLACK PAGES if you print mostly monochrome print jobs, or a combination of color and monochrome print jobs.
TRAY BEHAVIOR	USE REQUESTED TRAY	Specifies settings for the tray selection behavior. (Use this setting to configure the trays to behave like trays in some previous HP printers.)
	MANUALLY FEED PROMPT	The default for USE REQUESTED TRAY is EXCLUSIVELY .
	PS DEFER MEDIA	The default for MANUALLY FEED PROMPT is ALWAYS .
	USE ANOTHER TRAY	PS DEFER MEDIA affects how paper is handled when printing from an Adobe® PS print driver. ENABLED uses HP's paper handling. DISABLED uses the Adobe PS paper handling. The default is ENABLED .
	SIZE/TYPE PROMPT	USE ANOTHER TRAY defines whether the printer prompts the user to use another tray when the selected tray is unavailable. The default is ENABLED .
	DUPLEX BLANK PAGES	SIZE/TYPE PROMPT defines whether the printer prompts the user to reconfigure the tray after loading and closing the tray. The default is DISPLAY .
		See Tray Behavior menu options for more information.
SLEEP DELAY	1 MINUTE	Reduces power consumption when the printer has been inactive for an extended period.
	15 MINUTES	
	30 MINUTES	Sets the length of time the printer remains inactive before going into sleep mode. The default is 30 MINUTES .
	45 MINUTES	See Sleep Delay and Sleep Mode features for more information.
	60 MINUTES	
	90 MINUTES	
	2 HOURS	
	4 HOURS	
WAKE TIME	MONDAY	Sets a "wake-up" time for the printer to warm up and calibrate each day. The default for each day is OFF . If you set a wake time, HP recommends setting an extended sleep delay time period, so that the printer will not return to sleep mode soon after waking.
	TUESDAY	
	WEDNESDAY	
	THURSDAY	
	FRIDAY	
	SATURDAY	
	SUNDAY	


Menu item	Values	Description
OPTIMUM SPEED/ENERGY USAGE (HP Color LaserJet 3000 and 3800 Series printers only)	FASTER FIRST PAGE SAVE ENERGY	Affects print speed by defining whether the fuser cools between jobs. When FASTER FIRST PAGE is selected, the fuser does not cool, and printing is faster. When SAVE ENERGY is selected, the fuser cools between jobs. The default is FASTER FIRST PAGE .
DISPLAY BRIGHTNESS	1–10	Adjusts the brightness of the printer control panel. The default is 5. See Display Brightness feature .
PERSONALITY (HP Color LaserJet 3000 and 3800 Series printers only)	AUTO PCL PDF PS	Sets the default personality to automatic switching, PCL, PDF, or PostScript emulation. The default is AUTO . See Personality feature for more information.
CLEARABLE WARNINGS (HP Color LaserJet 3000 and 3800 Series printers only)	JOB ON	Sets the amount of time that a clearable warning appears on the printer control panel. The default is JOB , which appears until the end of the job that generated the warning. ON appears until the ✓ is pressed. See Clearable Warnings feature for more information.
AUTO CONTINUE	OFF ON	Determines printer behavior when the system generates an auto-continuable error. The default is ON . ON automatically continues printing after 10 seconds. OFF pauses printing. Press ✓ to continue printing. See Auto Continue feature for more information.
REPLACE SUPPLIES	STOP AT LOW STOP AT OUT OVERRIDE AT OUT	Sets low or out supplies operating options. The default is STOP AT OUT . STOP AT LOW pauses printing when a low supply is reported. Press ✓ to continue printing. OVERRIDE AT OUT allows the printer to continue printing even after some supplies have run out. See Replace Supplies feature for more information.
ORDER AT	0–100	The user can set the percent remaining at which the ORDER AT message is displayed. The default percentage is 15 .
COLOR SUPPLY OUT	STOP AUTOCONTINUE BLACK	Sets the printer behavior when a color print cartridge is empty. When the printer is set to AUTOCONTINUE BLACK , the printer continues printing using black toner only. The default is STOP .
JAM RECOVERY	AUTO OFF ON	Sets whether the printer will attempt to reprint pages after a jam. The default is AUTO . See Jam Recovery feature for more information.

Menu item	Values	Description
RAM DISK (HP Color LaserJet 3000 and 3800 Series printers only)	AUTO OFF	Determines how the RAM disk feature is configured. Select AUTO to allow the printer to determine the optimal RAM disk size based on the amount of available memory. OFF disables the RAM disk, but a minimal RAM disk is still available. The default is AUTO .
LANGUAGE	A list of available languages appears.	Sets the default control-panel language. See Language feature for more information.

I/O sub-menu

Use the **I/O** menu to configure the printer input/output options.

See [Network configuration](#).

Menu item	Values	Description
I/O TIMEOUT	5–300	Selects the I/O timeout in seconds.
PAGE BUFFERING (HP Color LaserJet 3600 Series printer only)	OFF ON	Sets whether the printer should maximize performance or minimize engine wear while waiting for information to be transferred. Select ON if the printer uses USB or Ethernet 10Base-T. The default is OFF .
PARALLEL INPUT (HP Color LaserJet 3000 and 3800 Series printers only)	HIGH SPEED ADVANCED FUNCTIONS	Sets speed and other options for an optional parallel connection.
EMBEDDED JETDIRECT	Possible values are: TCP/IP IPX/SPX APPLETALK DLC/LLC SECURE WEB DIAGNOSTICS RESET SECURITY LINK SPEED	Configures the HP Jetdirect embedded print server.  NOTE For the HP Color LaserJet 3600 Series printer, the only available network protocol is TCP/IP .
EIO 1 JETDIRECT (HP Color LaserJet 3000 and 3800 Series printers only)	Values vary, depending on the product in the EIO slot.	See the documentation that came with the EIO device.

Resets sub-menu

Use the **RESETS** menu to reset factory settings and to disable and enable sleep mode.

Menu item	Values	Description
RESTORE FACTORY SETTINGS	None	Clears the page buffer, removes all perishable personality data, resets the printing environment, and returns all default settings to factory defaults. This menu does <i>not</i> restore HP Jetdirect network settings to factory default values.
SLEEP MODE	OFF	Enables and disables sleep mode. The default is ON .
	ON	

Diagnostics menu

Use the **DIAGNOSTICS** menu to run tests that can help identify and solve problems with the printer.

Menu item	Description
PRINT EVENT LOG	Prints an event log that shows the last 50 entries in the printer event log, starting with the most recent.
SHOW EVENT LOG	Shows the last 50 printer events on the control-panel display, starting with the most recent.
PQ TROUBLESHOOTING	Prints a series of print-quality assessment pages that help troubleshoot many print-quality problems.
PRINT DIAGNOSTICS PAGE	Prints the diagnostics page.
DISABLE CARTRIDGE CHECK	Prints with one or more cartridges removed so that you can diagnose print cartridge-related problems.
PAPER PATH SENSORS	Shows the values of the sensors. Values are updated as media passes each sensor. Jobs can be initiated from the control panel or sent from the computer.
PAPER PATH TEST	Tests the printer paper-handling features, such as the configuration of the trays.
MANUAL SENSOR TEST	Allows a service representative to test the paper-path sensors and switches for correct operation.
COMPONENT TEST	Activates individual parts independently to isolate noise, leaking, and other hardware issues.
PRINT/STOP TEST	Isolates print-quality issues more accurately by stopping the printer in mid-print cycle. Stopping the printer in mid-print cycle causes a jam that might need to be removed manually. <i>Only a service representative should perform this test.</i>

Changing printer control-panel configuration settings

Use the printer control panel to make changes to default printer configuration settings, such as tray size and type, sleep delay time, printer personality (language), and jam recovery.

You can also gain access to the printer control panel from a computer by using the **Settings** page of the embedded Web server. The computer shows the same information as the control panel. For more information, see [Using the embedded Web server](#).



CAUTION Configuration settings seldom need to be changed. Hewlett-Packard Company recommends that only the system administrator change configuration settings.

Tray Behavior menu options

The **TRAY BEHAVIOR** menu provides the following user-defined options:

- **USE REQUESTED TRAY:** Select **EXCLUSIVELY** (the default value) to ensure that the printer will not automatically select another tray when you indicate that a specific tray should be used. Select **FIRST** to allow the printer to pull from a second tray if the specified tray is empty or contains a different media type or size.
- **MANUALLY FEED PROMPT:** If you select **ALWAYS** (the default value), the system always generates a prompt before pulling from the multipurpose tray. If you select **UNLESS LOADED**, the system generates the prompt only if the multipurpose tray is empty or if it is configured for a different type or size.
- **PS DEFER MEDIA:** If you select **ENABLED** (the default value), the printer uses HP's paper-selection process. Select **DISABLED** to allow the printer to use the Adobe paper-selection process.
- **USE ANOTHER TRAY.** If you select **ENABLED** (the default value), the printer prompts users to use another tray when the selected tray is unavailable. If you select **DISABLED**, the printer does not prompt the user.
- **SIZE/TYPE PROMPT.** If you select **DISPLAY** (the default value), the printer prompts users to confirm the media size or type loaded in the tray immediately after the tray has been loaded. If you select **DO NOT DISPLAY**, the printer does not prompt the user.
- **DUPLEX BLANK PAGES.** If you select **AUTO** (the default value), the printer might not flip pages in the duplexer for blank pages, which enhances printer performance. If you select **YES**, the printer duplexer flips each page.

To set the Use Requested Tray feature

1. Press **Menu**.
2. Press **▼** to highlight **CONFIGURE DEVICE**, and then press **✓**.
3. Press **▼** to highlight **SYSTEM SETUP**, and then press **✓**.
4. Press **▼** to highlight **TRAY BEHAVIOR**, and then press **✓**.
5. Press **✓** to select **USE REQUESTED TRAY**.
6. Press **▲** or **▼** to select **EXCLUSIVELY** or **FIRST**.
7. Press **✓** to save the selected behavior, and then press **Menu** to return to the **Ready** state.

To set the Manually Feed Prompt feature

1. Press **Menu**.
2. Press **▼** to highlight **CONFIGURE DEVICE**, and then press **✓**.
3. Press **▼** to highlight **SYSTEM SETUP**, and then press **✓**.
4. Press **▼** to highlight **TRAY BEHAVIOR**, and then press **✓**.
5. Press **▼** to highlight **MANUALLY FEED PROMPT**, and then press **✓**.
6. Press **▲** or **▼** to select **ALWAYS** or **UNLESS LOADED**.
7. Press **✓** to save the selected behavior, and then press **Menu** to return to the **Ready** state.

To set the PS Defer Media feature

1. Press **Menu**.
2. Press **▼** to highlight **CONFIGURE DEVICE**, and then press **✓**.
3. Press **▼** to highlight **SYSTEM SETUP**, and then press **✓**.
4. Press **▼** to highlight **TRAY BEHAVIOR**, and then press **✓**.
5. Press **▼** to highlight **PS DEFER MEDIA**, and then press **✓**.
6. Press **▲** or **▼** to select **ENABLED** or **DISABLED**.
7. Press **✓** to save the selected behavior, and then press **Menu** to return to the **Ready** state.

To set the Use Another Tray feature

1. Press **Menu**.
2. Press **▼** to highlight **CONFIGURE DEVICE**, and then press **✓**.
3. Press **▼** to highlight **SYSTEM SETUP**, and then press **✓**.
4. Press **▼** to highlight **TRAY BEHAVIOR**, and then press **✓**.
5. Press **▼** to highlight **USE ANOTHER TRAY**, and then press **✓**.
6. Press **▲** or **▼** to select **ENABLED** or **DISABLED**.
7. Press **✓** to save the selected behavior, and then press **Menu** to return to the **Ready** state.

To set the Size/Type Prompt feature

1. Press **Menu**.
2. Press **▼** to highlight **CONFIGURE DEVICE**, and then press **✓**.
3. Press **▼** to highlight **SYSTEM SETUP**, and then press **✓**.
4. Press **▼** to highlight **TRAY BEHAVIOR**, and then press **✓**.
5. Press **▼** to highlight **SIZE/TYPE PROMPT**, and then press **✓**.

6. Press ▲ or ▼ to select **DISPLAY** or **DO NOT DISPLAY**.
7. Press ✓ to save the selected behavior, and then press **Menu** to return to the **Ready** state.

To set the Duplex Blank Pages feature

1. Press **Menu**.
2. Press ▼ to highlight **CONFIGURE DEVICE**, and then press ✓.
3. Press ▼ to highlight **SYSTEM SETUP**, and then press ✓.
4. Press ▼ to highlight **TRAY BEHAVIOR**, and then press ✓.
5. Press ▼ to highlight **DUPLEX BLANK PAGES**, and then press ✓.
6. Press ▲ or ▼ to select **AUTO** or **YES**.
7. Press ✓ to save the selected behavior, and then press **Menu** to return to the **Ready** state.

Sleep Delay and Sleep Mode features

The **SLEEP DELAY** feature determines how long the printer must be inactive before it switches to sleep mode to reduce power consumption. You can set the length of time before the printer goes into sleep mode to one of the following settings:

- **1 MINUTE**
- **15 MINUTES**
- **30 MINUTES** (the default setting)
- **45 MINUTES**
- **60 MINUTES**
- **90 MINUTES**
- **2 HOURS**
- **4 HOURS**



NOTE The printer display appears dimmed when the printer is in sleep mode. Sleep mode does not affect printer warm-up time, unless the printer is in sleep mode for more than 8 hours.

To set the Sleep Delay feature

1. Press **Menu**.
2. Press ▼ to highlight **CONFIGURE DEVICE**, and then press ✓.
3. Press ▼ to highlight **SYSTEM SETUP**, and then press ✓.
4. Press ▼ to highlight **SLEEP DELAY**, and then press ✓.
5. Press ▲ or ▼ to select the appropriate time period, and then press ✓ to set the selected time period.
6. Press **Menu** to return to the **Ready** state.

To disable or enable the Sleep Mode feature

1. Press **Menu**.
2. Press ▼ to highlight **CONFIGURE DEVICE**, and then press ✓.
3. Press ▼ to highlight **RESETS**, and then press ✓.
4. Press ▼ to highlight **SLEEP MODE**, and then press ✓.
5. Press ▲ or ▼ to select **ON** or **OFF**, and then press ✓ to set the selection.
6. Press **Menu** to return to the **Ready** state.

Display Brightness feature

Change the brightness of the control-panel display by using the **DISPLAY BRIGHTNESS** option.

To set the Display Brightness feature

1. Press **Menu**.
2. Press ▼ to highlight **CONFIGURE DEVICE**, and then press ✓.
3. Press ▼ to highlight **SYSTEM SETUP**, and then press ✓.
4. Press ▼ to highlight **DISPLAY BRIGHTNESS**, and then press ✓.
5. Press ▲ or ▼ to select the appropriate setting, and then press ✓ to set the selection.
6. Press **Menu** to return to the **Ready** state.

Personality feature



NOTE This feature is available for the HP Color LaserJet 3000 and 3800 Series printers only.

This printer features automatic personality (printer language) switching.

- **AUTO**: Configures the printer to automatically detect the type of print job and configure its personality to accommodate that job.
- **PCL**: Configures the printer to use Printer Control Language.
- **PDF**: Configures the printer to use portable document format.
- **PS**: Configures the printer to use PostScript emulation.

To set the Personality feature

1. Press **Menu**.
2. Press ▼ to highlight **CONFIGURE DEVICE**, and then press ✓.
3. Press ▼ to highlight **SYSTEM SETUP**, and then press ✓.
4. Press ▼ to highlight **PERSONALITY**, and then press ✓.

5. Press ▲ or ▼ to select the appropriate personality, and then press ✓ to set the personality.
6. Press **Menu** to return to the **Ready** state.

Clearable Warnings feature



NOTE This feature is available for the HP Color LaserJet 3000 and 3800 Series printers only.

Use this feature to determine the display time of control-panel clearable warnings by selecting **ON** or **JOB**. The default value is **JOB**.

- **ON**: Clearable warnings appear until you press ✓.
- **JOB**: Clearable warnings appear until the end of the job for which they were generated.

To set the Clearable Warnings feature

1. Press **Menu**.
2. Press ▼ to highlight **CONFIGURE DEVICE**, and then press ✓.
3. Press ▼ to highlight **SYSTEM SETUP**, and then press ✓.
4. Press ▼ to highlight **CLEARABLE WARNINGS**, and then press ✓.
5. Press ▲ or ▼ to select the appropriate setting, and then press ✓ to set the selection.
6. Press **Menu** to return to the **Ready** state.

Auto Continue feature

Use this feature to determine printer behavior when the system generates an auto-continuable error. **ON** is the default setting.

- **ON**: An error message appears for ten seconds before automatically continuing to print.
- **OFF**: Any time the printer shows an error message, the print job pauses until you press ✓.

To set the Auto Continue feature

1. Press **Menu**.
2. Press ▼ to highlight **CONFIGURE DEVICE**, and then press ✓.
3. Press ▼ to highlight **SYSTEM SETUP**, and then press ✓.
4. Press ▼ to highlight **AUTO CONTINUE**, and then press ✓.
5. Press ▲ or ▼ to select the appropriate setting, and then press ✓ to set the selection.
6. Press **Menu** to return to the **Ready** state.

Replace Supplies feature

The printer has three options for low or exhausted supplies status:

- **STOP AT OUT** (the default setting): The printer continues printing while a print cartridge is low. When the cartridge is out, the printer cannot print.
- **STOP AT LOW**: The printer pauses until you replace the low cartridge.
- **OVERRIDE AT OUT**: The printer continues printing even after some supplies have run out.

To set the Replace Supplies feature

1. Press **Menu**.
2. Press **▼** to highlight **CONFIGURE DEVICE**, and then press **✓**.
3. Press **▼** to highlight **SYSTEM SETUP**, and then press **✓**.
4. Press **▼** to highlight **REPLACE SUPPLIES**, and then press **✓**.
5. Press **▲** or **▼** to select the appropriate setting, and then press **✓** to set the selection.
 - If you select **OVERRIDE AT OUT** and then press **✓**, a warning message appears. To accept the override, select **YES, USE OVERRIDE** and press **✓**, and then set the page limit for the override and press **✓**.
6. Press **Menu** to return to the **Ready** state.

Jam Recovery feature

Use this option to configure the printer response to jams, including how it handles the pages involved. **AUTO** is the default value.

- **AUTO**: The printer automatically turns jam recovery on when sufficient memory is available.
- **ON**: The printer reprints any page involved in a jam. Additional memory is allocated to store the last few pages printed. This might cause overall printer performance to suffer.
- **OFF**: The printer does not reprint any page that was involved in a paper jam. Because no memory is used to store the most recent pages, performance is optimal.

To set the Jam Recovery feature

1. Press **Menu**.
2. Press **▼** to highlight **CONFIGURE DEVICE**, and then press **✓**.
3. Press **▼** to highlight **SYSTEM SETUP**, and then press **✓**.
4. Press **▼** to highlight **JAM RECOVERY**, and then press **✓**.
5. Press **▲** or **▼** to select the appropriate setting, and then press **✓** to set the selection.
6. Press **Menu** to return to the **Ready** state.

Language feature

The option to set the default language might appear when the printer is turned on for the first time, depending on the country/region in which you purchased the printer. As you scroll through the available options, the list appears in the language that is highlighted. When the list appears in the appropriate language, press ✓ to set the language. You can also change the language at any time by performing the following procedure.

To select a language

1. Press **Menu**.
2. Press ▼ to highlight **CONFIGURE DEVICE**, and then press ✓.
3. Press ▼ to highlight **SYSTEM SETUP**, and then press ✓.
4. Press ▼ to highlight **LANGUAGE**, and then press ✓.
5. Press ▲ or ▼ to select the appropriate language, and then press ✓ to set the selection.
6. Press **Menu** to return to the **Ready** state.

Using the printer control panel in shared environments

If your printer is shared with other users, adhere to the following guidelines to ensure successful printer operation:

- Consult your system administrator before making changes to control-panel settings. Changing control-panel settings could affect other print jobs.
- Coordinate with other users before changing the default printer font or downloading soft fonts. Coordinating these operations conserves memory and avoids unexpected printer output.
- Be aware that switching printer personalities, such as switching emulated PostScript to PCL, affects the printed output for other users.



NOTE Your network operating system might automatically protect each user's print job from the effects of other print jobs. Consult your system administrator for more information.

3 I/O configuration

This chapter describes how to configure certain network parameters on the printer.

- [USB configuration](#)
- [Network configuration](#)

USB configuration

All printer models support USB connections. The USB port is on the right side of the printer.

Connecting the USB cable

Plug the USB cable into the printer. Plug the other end of the USB cable into the computer.

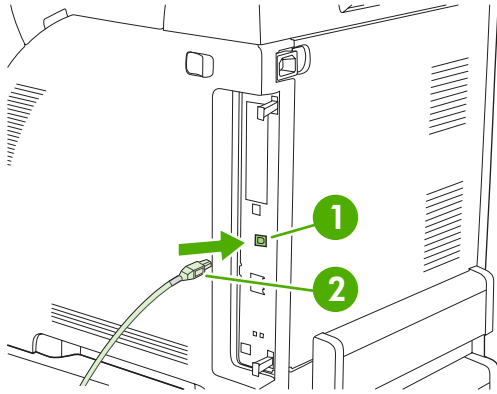


Figure 3-1 USB port connection

- | | |
|---|---------------|
| 1 | USB port |
| 2 | USB connector |
-

Network configuration

You might need to configure certain network parameters on the printer. You can configure these parameters from the printer control panel, the embedded Web server, or for most networks, from the HP Web Jetadmin software.



NOTE For more information about using the embedded Web server, see [Using the embedded Web server](#).

For a complete list of supported networks and for instructions on configuring network parameters from software, see the *HP Jetdirect Embedded Print Server Administrator's Guide*. The guide comes with printers in which an HP Jetdirect embedded print server is installed.

Manually configuring TCP/IP parameters from the printer control panel

Use manual configuration to set an IP address, subnet mask, and default gateway.

Setting an IP address

1. Press **Menu**.
 2. Press **▼** to highlight **CONFIGURE DEVICE**, and then press **✓**.
 3. Press **▼** to highlight **I/O**, and then press **✓**.
 4. Press **▼** to highlight **EMBEDDED JETDIRECT**, and then press **✓**.
 5. Press **▼** to highlight **TCP/IP**, and then press **✓**.
 6. Press **✓** to select **CONFIG METHOD**.
 7. Press **▼** to highlight **MANUAL**, and then press **✓**.
 8. Press **▼** to highlight **MANUAL SETTINGS**, and then press **✓**.
 9. Press **▼** to highlight **IP Address:**, and then press **✓**.
 10. Press the **▲** or **▼** arrow to increase or decrease the number for the first byte of the IP address.
.
 11. Press **✓** to move to the next set of numbers. (Press **↶** to move to the previous set of numbers.)
.
-
-
- NOTE** To cycle through the numbers faster, hold down the arrow button.
-
12. Repeat steps 10 and 11 until the correct IP address is entered, and then press **✓** to save the setting.
.
 13. Press **Menu** to return to the **Ready** state.
.

Setting the subnet mask

1. Press **Menu**.
2. Press **▼** to highlight **CONFIGURE DEVICE**, and then press **✓**.

3. Press ▼ to highlight **I/O**, and then press ✓.
4. Press ▼ to highlight **EMBEDDED JETDIRECT**, and then press ✓.
5. Press ▼ to highlight **TCP/IP**, and then press ✓.
6. Press ✓ to select **CONFIG METHOD**.
7. Press ▼ to highlight **MANUAL**, and then press ✓.
8. Press ▼ to highlight **MANUAL SETTINGS**, and then press ✓.
9. Press ▼ to highlight **SUBNET MASK**, and then press ✓.
- 10 Press the ▲ or ▼ arrow to increase or decrease the number for the first byte of the subnet mask.
.
- 11 Press ✓ to move to the next set of numbers. (Press ⇐ to move to the previous set of numbers.)
.
- 12 Repeat steps 10 and 11 until the correct subnet mask is entered, and then press ✓ to save the subnet mask.
.
- 13 Press **Menu** to return to the **Ready** state.
.

Setting the default gateway

1. Press **Menu**.
2. Press ▼ to highlight **CONFIGURE DEVICE**, and then press ✓.
3. Press ▼ to highlight **I/O**, and then press ✓.
4. Press ▼ to highlight **EMBEDDED JETDIRECT**, and then press ✓.
5. Press ▼ to highlight **TCP/IP**, and then press ✓.
6. Press ✓ to select **CONFIG METHOD**.
7. Press ▼ to highlight **MANUAL**, and then press ✓.
8. Press ▼ to highlight **MANUAL SETTINGS**, and then press ✓.
9. Press ▼ to highlight **DEFAULT GATEWAY**, and then press ✓.
- 10 Press the ▲ or ▼ arrow to increase or decrease the number for the first byte of the default gateway.
.
- 11 Press ✓ to move to the next set of numbers. (Press ⇐ to move to the previous set of numbers.)
.
- 12 Repeat steps 10 and 11 until the correct default gateway is entered, and then press ✓ to save the default gateway.
.
- 13 Press **Menu** to return to the **Ready** state.
.

Disabling network protocols (optional)

By factory default, all supported network protocols are enabled. Disabling unused protocols has the following benefits:

- Decreases printer-generated network traffic
- Prevents unauthorized users from printing to the printer
- Provides only pertinent information on the configuration page
- Allows the printer control panel to display protocol-specific error and warning messages

To disable IPX/SPX



NOTE Do not disable this protocol in Windows-based systems that print to the printer using IPX/SPX.

1. Press **Menu**.
2. Press **▼** to highlight **CONFIGURE DEVICE**, and then press **✓**.
3. Press **▼** to highlight **I/O**, and then press **✓**.
4. Press **▼** to highlight **EMBEDDED JETDIRECT**, and then press **✓**.
5. Press **▼** to highlight **IPX/SPX**, and then press **✓**.
6. Press **✓** to select **ENABLE**.
7. Press **▼** to highlight **OFF**, and then press **✓**.
8. Press **Menu** to return to the **Ready** state.

To disable AppleTalk

1. Press **Menu**.
2. Press **▼** to highlight **CONFIGURE DEVICE**, and then press **✓**.
3. Press **▼** to highlight **I/O**, and then press **✓**.
4. Press **▼** to highlight **EMBEDDED JETDIRECT**, and then press **✓**.
5. Press **▼** to highlight **APPLETALK**, and then press **✓**.
6. Press **✓** to select **ENABLE**.
7. Press **▼** to highlight **OFF**, and then press **✓**.
8. Press **Menu** to return to the **Ready** state.

To disable DLC/LLC

1. Press **Menu**.
2. Press **▼** to highlight **CONFIGURE DEVICE**, and then press **✓**.
3. Press **▼** to highlight **I/O**, and then press **✓**.

4. Press ▼ to highlight **EMBEDDED JETDIRECT**, and then press ✓.
5. Press ▼ to highlight **DLC/LLC**, and then press ✓.
6. Press ✓ to select **ENABLE**.
7. Press ▼ to highlight **OFF**, and then press ✓.
8. Press **Menu** to return to the **Ready** state.

Enhanced I/O (EIO) configuration



NOTE This feature is available for the HP Color LaserJet 3000 and 3800 Series printers only.

If you are adding a print server to a base model (HP Color LaserJet 3000 or HP Color LaserJet 3800), additional printer memory might be required.

The enhanced input/output (EIO) slot holds compatible accessory devices, such as the HP Jetdirect print server network cards or other devices. Plugging an EIO network card into the slot increases the number of network interfaces available to the printer.

HP Jetdirect EIO print servers

HP Jetdirect print servers (network cards) can be installed in EIO slots. These cards support multiple network protocols and operating systems. HP Jetdirect print servers facilitate network management by allowing you to connect a printer directly to your network at any location. HP Jetdirect print servers also support the Simple Network Management Protocol (SNMP), which provides network managers with remote printer management and troubleshooting through the HP Web Jetadmin software.



NOTE Configure the card either through the control panel, the printer installation software, or with HP Web Jetadmin software. Refer to the HP Jetdirect print server documentation for more information.

4 Printing tasks

This chapter describes how to perform basic printing tasks:

- [Controlling print jobs](#)
- [Selecting print media](#)
- [Configuring trays](#)
- [Automatic media type sensing \(auto sense mode\)](#)
- [Using features in the Windows printer driver](#)
- [Using features in the Macintosh printer driver](#)
- [Printing on special media](#)
- [Using 2-sided \(duplex\) printing](#)
- [Managing special printing situations](#)
- [Managing stored jobs](#)
- [Managing memory](#)

Controlling print jobs

In Windows, three settings affect how the printer driver pulls media when you send a print job. The **Source**, **Type**, and **Size** settings appear in the **Page Setup**, **Print**, or **Print Properties** dialog boxes in most software programs. If you do not change these settings, the printer automatically uses the default printer settings to select a tray.



CAUTION Make printer setup changes through the software program or the printer driver whenever possible, because changes that you make at the control panel become default settings for subsequent print jobs. Settings selected in the software or the printer driver override control-panel settings.

Source

Print by **Source** to specify a tray from which the printer will pull media. The printer tries to print from this tray, no matter what type or size is loaded in it. If you select a tray that is configured for a type or size that does not match your print job, the job does not proceed until you load the tray with the correct type or size. If you load the tray correctly, the printer begins printing. If you press ✓, you can select another tray.



NOTE If you have difficulties printing by **Source**, see [Priority for print settings](#).

Type and Size

Print by **Type** or **Size** when you want to pull media from the first tray that is loaded with the type or size that you select. Selecting media by type rather than source is similar to locking out trays and helps protect special media from accidental use. For example, if a tray is configured for letterhead, and you specify that the driver print on plain paper, the printer will not pull media from that tray, but will pull paper from a tray that has plain paper loaded and is configured for plain paper.



NOTE Selecting the **Any** setting negates the tray lock-out function.

Selecting media by type and size results in significantly better print quality for heavy paper, glossy paper, and overhead transparencies. Using the wrong setting can result in unsatisfactory print quality. Always print by **Type** for special print media, such as labels or transparencies. Always print by **Size** for envelopes.

- If you want to print by **Type** or **Size** and the trays have not been configured for a certain type or size, load the media into tray 1. Then, in the printer driver, select the **Type** or **Size** in the **Page Setup**, **Print**, or **Print Properties** dialog box.
- If you often print on a certain type or size of media, the printer administrator (for a network printer) or you (for a local printer) can configure a tray for that type or size. Then, when you select that type or size as you print a job, the printer pulls from the tray configured for that type or size. See [Configuring trays](#).
- When you close tray 2 or optional tray 3, a message might appear prompting you to select a **Type** or **Size** for the tray. If the tray is already configured correctly, press ↵ to return to the **Ready** state.

Priority for print settings

Changes to print settings are prioritized depending on where the changes are made:



NOTE The names of commands and dialog boxes might vary depending on your software program.

- **Page Setup dialog box:** Click **Page Setup** or a similar command on the **File** menu of the program you are working in to open this dialog box. Settings changed here override settings changed anywhere else.
- **Print dialog box:** Click **Print**, **Print Setup**, or a similar command on the **File** menu of the program you are working in to open this dialog box. Settings changed in the **Print** dialog box have a lower priority and do *not* override changes made in the **Page Setup** dialog box.
- **Printer Properties dialog box (printer driver):** Click **Properties** in the **Print** dialog box to open the printer driver. Settings changed in the **Printer Properties** dialog box do not override settings anywhere else in the printing software.
- **Default printer driver settings:** The default printer driver settings determine the settings used in all print jobs, *unless* settings are changed in the **Page Setup**, **Print**, or **Printer Properties** dialog boxes.
- **Printer control panel settings:** Settings changed at the printer control panel have a lower priority than changes made anywhere else.

Gaining access to printer driver settings

Operating System	Temporarily change settings for print jobs	Permanently change default settings ¹
Windows 98, 2000, Me, and XP	From the File menu, click Print . Select the printer, and then click Properties . (The steps can vary; this procedure is most common.)	Click Start , point to Settings , and then click Printers or Printers and Faxes . Right-click the printer icon and select Printing Preferences .
Macintosh OS 9.1	On the File menu, click Print . Change settings on the various pop-up menus.	On the File menu, click Print . After you change settings on the pop-up menu, click Save Settings .
Macintosh OS X	On the File menu, click Print . Change settings on the various pop-up menus.	On the File menu, click Print . Change settings on the various pop-up menus, and then, on the main pop-up menu, click Save Custom Settings to save them as the Custom option. To use the new settings, you must select the Custom option every time you open a program and print.

¹ Because access to default printer settings can be restricted, the settings might be unavailable.

Selecting print media

You can use many types of paper and other print media with this printer.

Before purchasing any paper or specialized forms in quantity, verify that your paper supplier has obtained and understands the print-media requirements that are specified in the *HP LaserJet Printer Family Print Media Specification Guide*.

See [Supplies and accessories](#) to order the *HP LaserJet Printer Family Print Media Specification Guide*. To download a copy of the guide, go to www.hp.com/support/clj3000 for the HP Color LaserJet 3000 Series printer, www.hp.com/support/clj3600 for the HP Color LaserJet 3600 Series printer, or www.hp.com/support/clj3800 for the HP Color LaserJet 3800 Series printer. Select **Manuals**.

It is possible that paper could meet all of the guidelines in this chapter or the *HP LaserJet Printer Family Print Media Specification Guide* and still not print satisfactorily. This can result from abnormal characteristics of the printing environment or other variables over which HP has no control (for example, extremes in temperature and humidity).

Hewlett-Packard Company recommends testing any paper before buying it in large quantities.



CAUTION Using paper that does not conform to the specifications listed here or in the print media guide can cause problems that require service. This service is not covered by the Hewlett-Packard warranty or service agreements.

Paper to avoid

The printer can handle many types of paper. Using paper that does not meet specifications will cause lower print quality and increase the chance of jams.

- Do not use paper that is too rough.
- Do not use paper, other than standard 3-hole punched paper, that contains cutouts or perforations.
- Do not use multipart forms.
- Do not use paper that has already been printed on, or that has been fed through a photocopier.
- Do not use paper that contains a watermark if you are printing solid patterns.

Paper that can damage the printer

In rare circumstances, paper can damage the printer. The following paper must be avoided to prevent possible damage to the printer:

- Do not use paper with staples attached.
- Do not use transparencies that are designed for Inkjet printers or other low temperature printers, or for monochrome printing. Use only transparencies that are specified for use with HP Color LaserJet printers.
- Do not use photo paper that is intended for Inkjet printers.
- Do not use paper that is embossed or coated, or any media that produces hazardous emissions, or that melts, offsets, or discolors when exposed to 190° C (374° F) for 0.1 second. Also, do not use letterhead paper that is made with dyes or inks that cannot withstand that temperature.

To order HP Color LaserJet printing supplies:

- www.hp.com/go/ljsupplies in the U.S.
- www.hp.com/ghp/buyonline.html worldwide

Configuring trays

You can configure the printer trays by type and size. Load different media in the printer trays and then request media by type or size in the software program.



NOTE If you have used previous HP Color LaserJet printers, you might be accustomed to configuring tray 1 to first mode or cassette mode. To mimic the settings for first mode, configure tray 1 for **ANY SIZE** and **ANY TYPE**. The printer will pull paper from tray 1 first (if paper is loaded in that tray) when the print job does not specify another tray. This setting is recommended if you use different types or sizes of paper in tray 1. To mimic the settings from cassette mode, set either the size or type for tray 1 to a setting other than **ANY SIZE** or **ANY TYPE**. This setting is recommended if you are using the same size and type of paper in tray 1.

NOTE If you use 2-sided printing, be sure that the media meets the specifications for duplex printing. See [Print-media specifications](#).

The following instructions are for configuring the trays at the printer control panel. You can also configure the trays from your computer through the embedded Web server. See [Using the embedded Web server](#).

Configuring size

1. Press **Menu**.
2. Press ▼ to highlight **PAPER HANDLING**, and then press ✓.
3. Press ▼ to highlight **TRAY 1 SIZE**, **TRAY 2 SIZE**, or **TRAY 3 SIZE**, and then press ✓.
4. Press ▼ or ▲ to highlight the appropriate size, and then press ✓.
5. Press **Menu** to return to the **Ready** state.

Configuring type

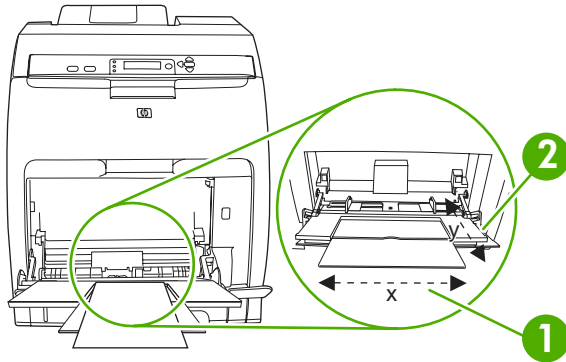
1. Press **Menu**.
2. Press ▼ to highlight **PAPER HANDLING**, and then press ✓.
3. Press ▼ to highlight **TRAY 1 TYPE**, **TRAY 2 TYPE**, or **TRAY 3 TYPE**, and then press ✓.
4. Press ▼ or ▲ to highlight the desired paper type, and then press ✓.
5. Press **Menu** to return to the **Ready** state.

Configuring tray 1 for custom paper

Use the **ANY SIZE** size setting when the selected media does not exactly match the size of the paper specified in the document you are printing. If no source tray is specified, the printer looks first for paper that exactly matches the document, and then it looks for and prints from a tray set to **ANY SIZE** or **ANY TYPE**.

Use the **ANY CUSTOM** setting when you want to be able to print a number of custom sizes from the tray without defining a set size for each job. Use the **CUSTOM** setting when you want to print a specific print size from a particular tray. When you print a custom job, the printer looks for an exact size match. If it does not find an exact match to the custom size specified, it looks for a tray set to **ANY CUSTOM**. Finally, the printer looks for and uses media from a tray set to **ANY SIZE**.

There are three steps to set up custom paper. When all are completed, the display returns to the **PAPER HANDLING** menu. After a custom size is set for a tray, the printer retains the setting until you change it in the control panel.



- | | |
|---|-------------|
| 1 | X dimension |
| 2 | Y dimension |
-

Unit of measure

1. Press ▼ to highlight **UNIT OF MEASURE**, and then press ✓.
2. Press ▲ or ▼ to highlight the correct measurement, and then press ✓.

X dimension

The X dimension is the width of the page as it feeds into the printer.

1. Press ▼ to highlight **X DIMENSION**, and then press ✓.
2. Press ▲ or ▼ to highlight the correct value, and then press ✓.

Y dimension

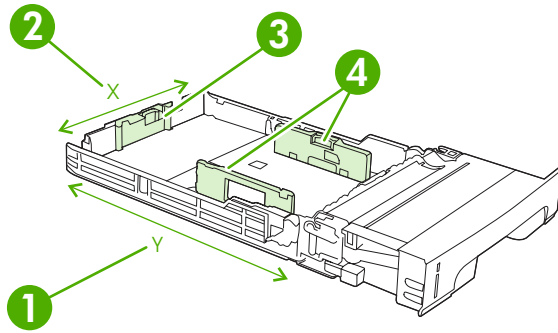
The Y dimension is the length of the page as it feeds into the printer.

1. Press ▼ to highlight **Y DIMENSION**, and then press ✓.
2. Press ▲ or ▼ to highlight the correct value, and then press ✓.

Configuring tray 2 or tray 3 for custom paper

The printer automatically detects many sizes of paper, but you can also configure trays for custom paper sizes. You must specify the following parameters:

- Unit of measure (millimeters or inches)
- X dimension (the width of the page as it feeds into the printer)
- Y dimension (the length of the page as it feeds into the printer)



1	Page length (Y dimension)
2	Page width (X dimension)
3	Media length guides
4	Media width guides

Use the following procedure to configure a tray for a custom size. Once a custom size is set for a tray, it will be retained until the media length guides are reset.

Setting a custom size in tray 2 or tray 3

1. Open the tray and place the media face-up in the tray.
2. Set the media length guides to the appropriate non-standard position and close the tray.
3. When the tray configuration message appears, press \checkmark .
4. Press \blacktriangle to change **ANY CUSTOM** to **CUSTOM**, and then press \checkmark .
5. Press \blacktriangle or \blacktriangledown to highlight the correct unit (either millimeters or inches), and then press \checkmark .

After the unit of measure is set properly, set the X dimension as follows:

6. Press \blacktriangle or \blacktriangledown to highlight the correct value, and then press \checkmark .

If the value entered is outside the valid range, **Invalid value** appears for two seconds. The control-panel display prompts you to enter another value.

After the X dimension is set properly, set the Y dimension as follows:


7. Press \blacktriangle or \blacktriangledown to highlight the correct value, and then press \checkmark .

If the value entered is outside the valid range, **Invalid value** appears for two seconds. The control-panel display prompts you to enter another value. The printer shows a message indicating the dimensions for the custom size.

Printing from tray 1 (multipurpose tray)

Tray 1 is a multipurpose tray that holds up to 100 sheets of paper or 10 envelopes. It provides a convenient way to print envelopes, transparencies, custom-size paper, or other types of paper without having to unload the other trays.

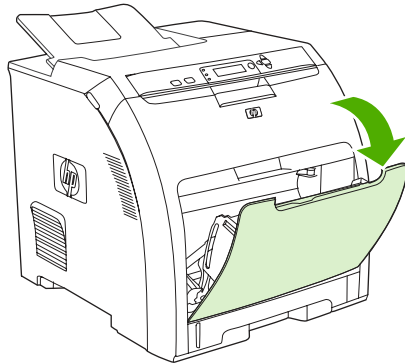
Loading paper into tray 1

 **CAUTION** Avoid adding print media to tray 1 while the printer is printing, or jams can occur.

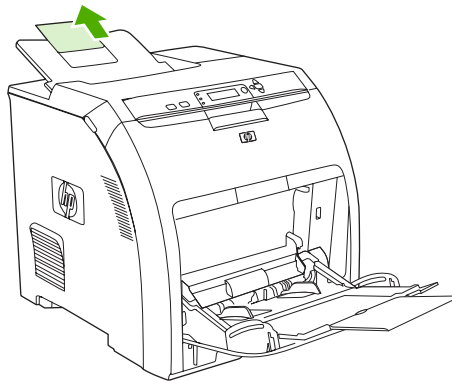
1. Open tray 1.



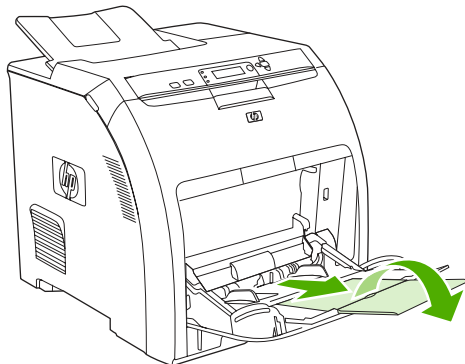
NOTE If printing on special media, such as envelopes, use tray 1. See [Printing envelopes from tray 1](#) for more information.



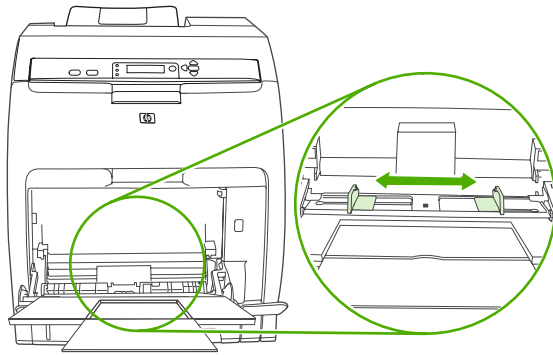
2. Slide the output bin extension out from the bin.



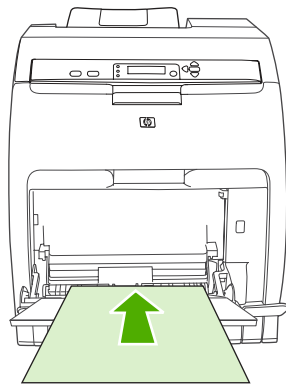
3. Slide out the tray extender and, if necessary, open the additional tray extender.



- Slide the width guides slightly wider than the print media.

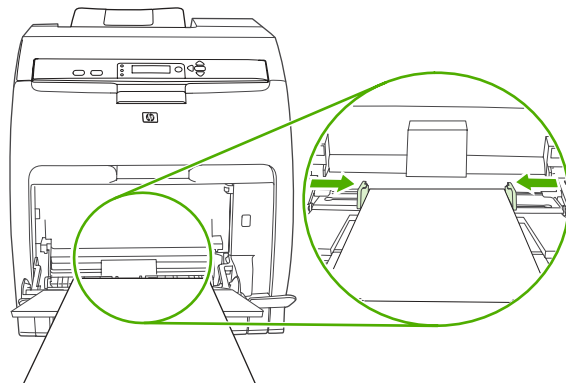


- Place print media into the tray with the side to be printed down, and the top, short edge in first.



NOTE If you are printing on two sides, see [Using 2-sided \(duplex\) printing](#) for loading instructions.

- Slide the paper width guides inward until they lightly touch the print media stack on both sides without bending it. Make sure that the media fits under the tabs on the width guides.



CAUTION Wait for the printer to finish printing before closing tray 1 (optional). Closing the tray before the printer finishes can cause jams.

Printing envelopes from tray 1

Many types of envelopes can be printed from tray 1. Up to 10 envelopes can be stacked in the tray. Printing performance depends on the construction of the envelope.

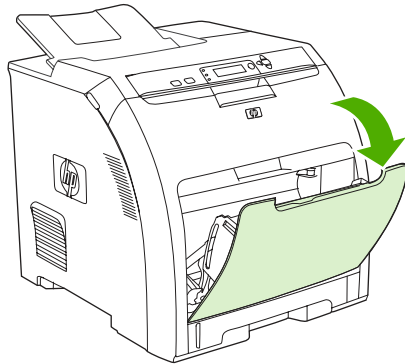
In the software, set margins at least 15 mm (0.6 in) from the edge of the envelope.



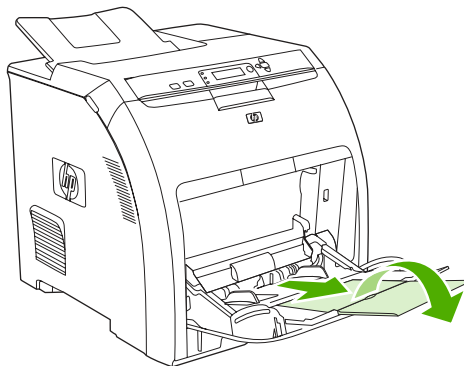
CAUTION Envelopes that contain clasps, snaps, windows, coated linings, exposed self-stick adhesives, or other synthetic materials can severely damage the printer. To avoid jams and possible printer damage, never try to print on both sides of an envelope. Before you load envelopes, make sure that they are flat, undamaged, and not stuck together. Do not use envelopes that contain pressure-sensitive adhesive. To avoid jams, do not remove or insert envelopes during printing.

To load envelopes into tray 1

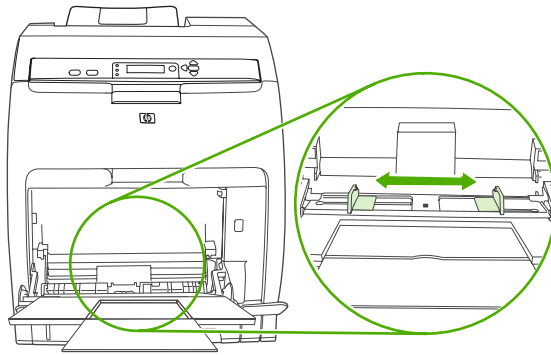
1. Open tray 1.



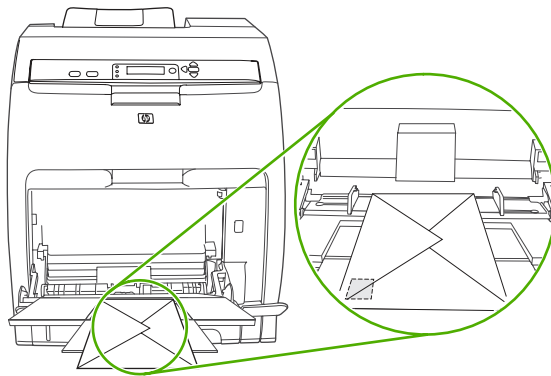
2. Slide out the tray extender and, if necessary, open the additional tray extender.



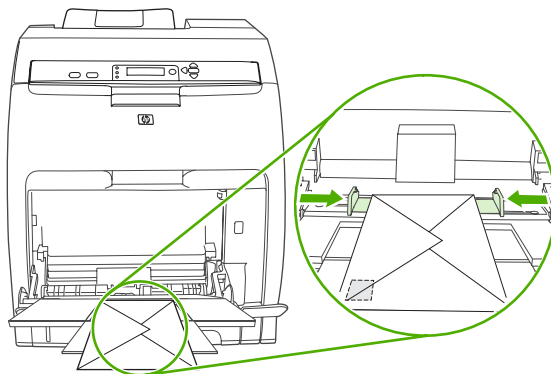
3. Set the paper-width guides.



4. Load as many as 10 envelopes in the center of tray 1 with the side to be printed on facing down, with the stamp area farthest from the printer, and the short edge toward the printer. Slide the envelopes into the printer as far as they will go without forcing them.



5. Adjust the guides to touch the envelope stack without bending the envelopes. Make sure that the envelopes fit under the tabs on the guides.



Printing envelopes

1. If tray 1 is configured for a specific size, use the printer control panel to set the paper size for tray 1 to match the envelope size that you are printing.
2. Specify tray 1 in the software program.

3. If your software does not automatically format an envelope, specify **Landscape** for page orientation in the software program. Use the guidelines in the table that follows to set margins for return and destination addresses on Commercial #10 or DL envelopes.



NOTE For envelopes of other sizes, adjust the margin settings appropriately.

4. Click **Print** in the software program or printer driver.

Address type	Left margin	Top margin
Return	15 mm (0.6 in)	15 mm (0.6 in)
Destination	102 mm (4.0 in)	51 mm (2.0 in)

Printing from tray 2 and tray 3

Tray 2 holds up to 250 sheets of standard paper, while optional tray 3 holds up to 500 sheets of standard paper. Tray 2 and tray 3 adjust for many sizes. Tray 3 is installed underneath tray 2. When tray 3 is installed, the printer detects it and lists tray 3 as a choice in the control panel **CONFIGURE DEVICE** menu.



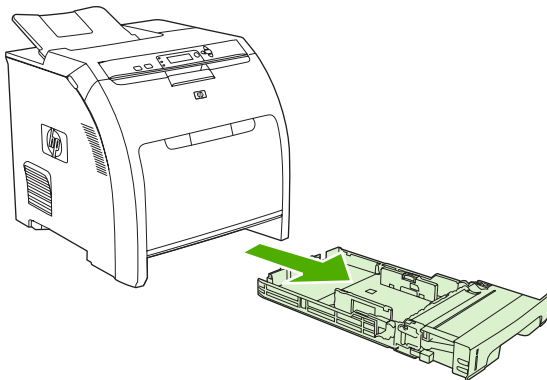
CAUTION The paper path for tray 3 passes through tray 2. If either tray 2 or tray 3 is partially pulled out or removed, media from tray 3 cannot feed into the printer. This causes the printer to jam.

Loading tray 2



CAUTION To avoid jams, never open or remove a tray during printing.

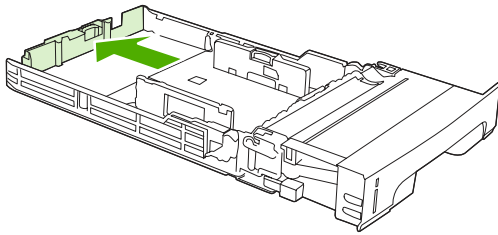
1. Pull tray 2 out of the printer and remove any media.



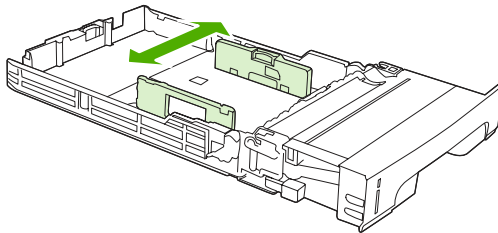
2. Slide the output bin extension out from the bin.



3. Adjust the length guide until the arrow points to the size that you are loading.



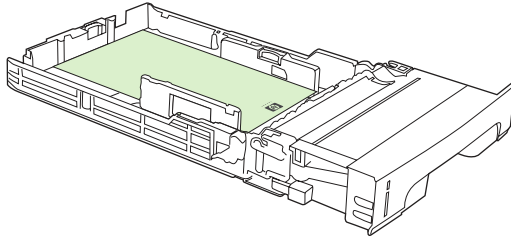
4. Move the side width guides until the arrow on the right width guide points to the size that you are loading.



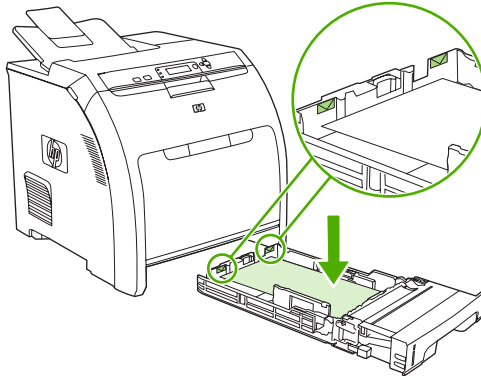
5. Load the media into the tray. If this is special paper such as letterhead, load it face-up with the top edge toward the front of the tray.



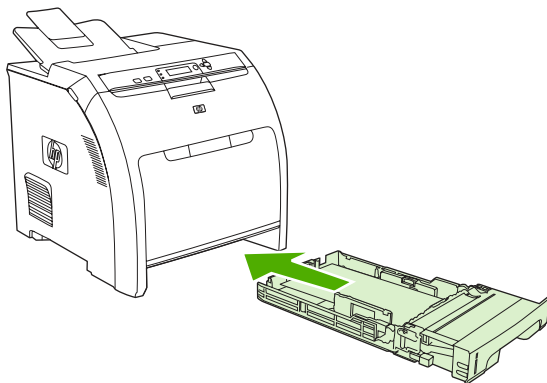
NOTE If you are duplex printing, see [Using 2-sided \(duplex\) printing](#) for loading instructions.



6. Make sure that the stack of media is flat and that the media is below the height tabs.

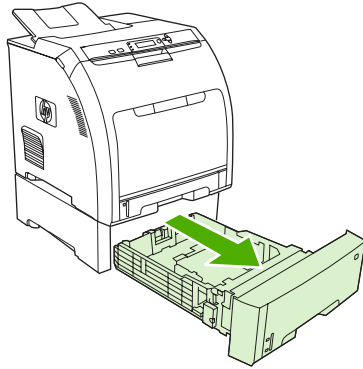


7. Slide the tray back into the printer.

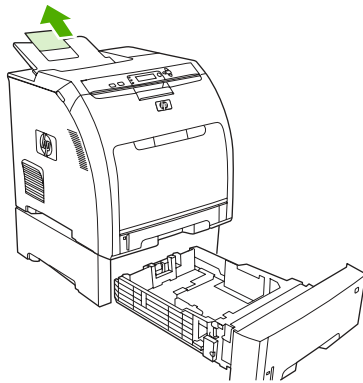


Loading tray 3

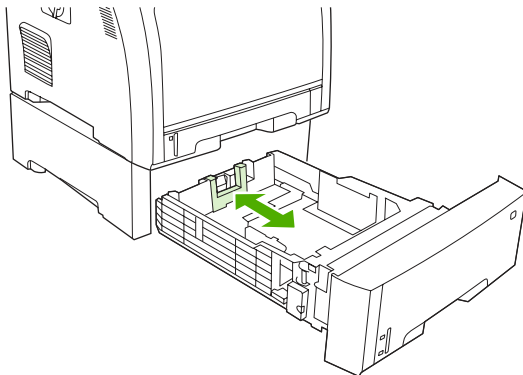
1. Pull the tray out of the printer and remove any media.



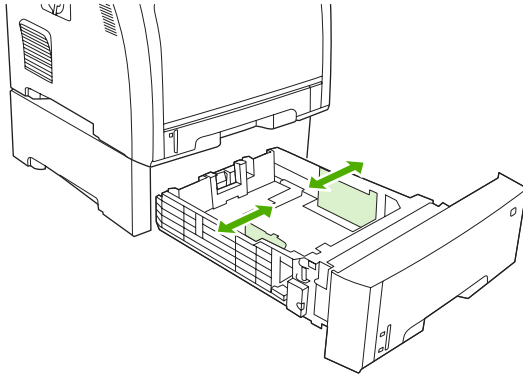
2. Raise the output bin extension.



3. Adjust the length guide until the arrow points to the size that you are loading.



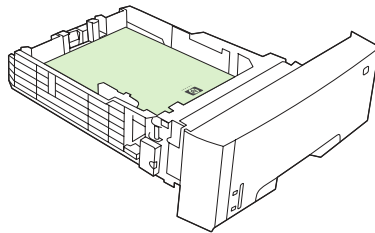
4. Move the side width guides until the arrow on the right width guide points to the size that you are loading.



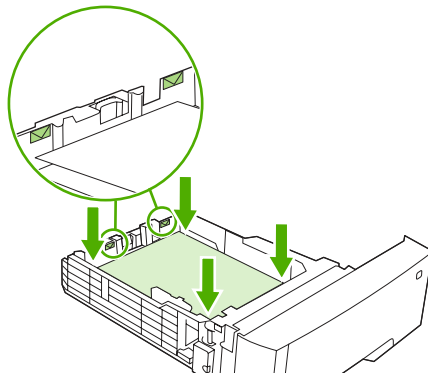
5. Load the media into the tray. If this is special paper, such as letterhead, load it face-up with the top edge toward the front of the tray.



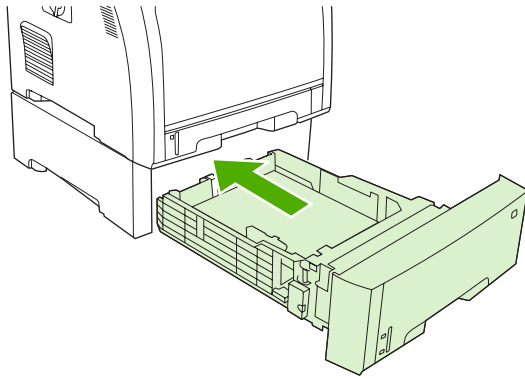
NOTE If you are duplex printing, see [Using 2-sided \(duplex\) printing](#) for loading instructions.



6. Make sure that the stack of media is flat in the tray at all four corners, and keep it below the height tabs.



7. Slide the tray back into the printer.



Automatic media type sensing (auto sense mode)

The HP Color LaserJet 3000 and 3800 Series printers can automatically classify media into one of the following categories:

- Plain
- Transparency
- Glossy
- Extra-heavy glossy
- Glossy film
- Heavy
- Light

The automatic media type sensor functions only when that tray is configured to **Any Type Plain**. Configuring a tray to any other type, such as **Bond** or **Glossy**, deactivates the media sensor in that tray.



NOTE Get optimal performance with the automatic media sensing feature when using original HP media designed for use in HP color LaserJet printers.

Tray 1 sensing

Full sensing (default)

- The printer stops at each page to sense media type.
- This is the best mode for using mixed media in a single print job.

Expanded sensing

- Each time the printer begins a print job, it stops the first page to sense the type.
- The printer assumes that the second and all subsequent pages are of the same media type as the first page.
- This is the second-fastest mode, and is useful for using stacks of the same media type.

Transparency

- The printer does not stop any pages for sensing but distinguishes between transparencies (Transparency mode) and paper (Normal mode).
- This is the fastest mode and is useful for high-volume printing in Normal mode.

Tray 2 or tray 3 sensing

Expanded sensing

- The printer stops the first five pages fed from each paper tray to sense the type and averages the five results.
- The printer assumes that the sixth and all subsequent pages are of the same media type, until the printer is turned off or goes into sleep mode, or until the tray is opened.

Transparency only (default)

- The printer does not stop any pages for sensing but distinguishes between transparencies (Transparency mode) and paper (Normal mode).
- This is the fastest mode and is useful for high-volume printing in Normal mode.

Using features in the Windows printer driver

When you print from a software program, many of the product features are available from the printer driver. For complete information about the features that are available in the printer driver, see the printer-driver Help. The following features are described in this section:

- [Creating and using quick sets](#)
- [Using watermarks](#)
- [Resizing documents](#)
- [Setting a custom paper size from the printer driver](#)
- [Using different paper and printing covers](#)
- [Printing a blank first page](#)
- [Printing multiple pages on one sheet of paper](#)
- [Setting the color options](#)
- [Using the HP Digital Imaging Options dialog box](#)
- [Using the Services tab](#)



NOTE Settings in the printer driver and software program generally override control-panel settings. Software-program settings generally override printer-driver settings.

Creating and using quick sets

Use quick sets to save the current driver settings for reuse. Quick sets are available on most printer-driver tabs. You can save up to 25 Print Task Quick Sets.

To create a quick set

1. Open the printer driver (see [Opening the printer drivers](#)).
2. Select the print settings that you want to use.
3. In the **Print Task Quick Sets** box, type a name for the quick set.
4. Click **Save**.

To use quick sets

1. Open the printer driver (see [Opening the printer drivers](#)).
2. Select the quick set that you want to use from the **Print Task Quick Sets** drop-down list.
3. Click **OK**.



NOTE To use printer-driver default settings, select **Default Print Settings** from the **Print Task Quick Sets** drop-down list.

Using watermarks

A watermark is a notice, such as "Confidential," that is printed in the background of each page of a document.

1. Open the printer driver (see [Opening the printer drivers](#)).
2. From the **Effects** tab, click the **Watermarks** drop-down list.
3. Click the watermark that you want to use. To create a new watermark, click **Edit**.
4. If you want the watermark to appear only on the first page of the document, click **First Page Only**.
5. Click **OK**.

To remove the watermark, click **(none)** in the **Watermarks** drop-down list.

Resizing documents

Use the document resizing options to scale a document to a percentage of its normal size. You can also choose to print a document on a different size paper, with or without scaling.

To reduce or enlarge a document

1. Open the printer driver (see [Opening the printer drivers](#)).
2. On the **Effects** tab, next to **% of Normal Size**, type the percentage by which you want to reduce or enlarge your document.

You can also use the scroll bar to adjust the percentage.

3. Click **OK**.

To print a document onto a different paper size

1. Open the printer driver (see [Opening the printer drivers](#)).
2. On the **Effects** tab, click **Print Document On**.
3. Select the paper size to print on.
4. To print the document without scaling it to fit, make sure that the **Scale to Fit** option is *not* selected.
5. Click **OK**.

Setting a custom paper size from the printer driver

1. Open the printer driver (see [Opening the printer drivers](#)).
2. On the **Paper** or **Paper/Quality** tab, click **Custom**.
3. On the **Custom Paper Size** window, type the name of the custom paper size.
4. Type the paper-size length and width. If you type a size that is too small or too large, the driver adjusts the size to the minimum or maximum size that is allowed.
5. If necessary, click the button to change the unit of measure between millimeters and inches.

6. Click **Save**.
7. Click **Close**. The name that you saved appears in the paper-size list for future use.

Using different paper and printing covers

Follow these instructions for printing a first page that is different from other pages in the print job.

1. Open the printer driver (see [Opening the printer drivers](#)).
2. On the **Paper** or **Paper/Quality** tab, select the appropriate paper for the first page of the print job.
3. Click **Use Different Paper/Covers**.
4. In the list box, click the pages or covers that you want to print on different paper.
5. To print front or back covers, you must also select **Add Blank or Preprinted Cover**.
6. Select the appropriate paper type or source for the other pages of the print job.



NOTE The paper size must be the same for all pages of the print job.

Printing a blank first page

1. Open the printer driver (see [Opening the printer drivers](#)).
2. On the **Paper** or **Paper/Quality** tab, click **Use Different Paper/Covers**.
3. In the list box, click **Front Cover**.
4. Click **Add Blank or Preprinted Cover**.

Printing multiple pages on one sheet of paper

You can print more than one page on a single sheet of paper.

1. Open the printer driver (see [Opening the printer drivers](#)).
2. Click the **Finishing** tab.
3. In the section for **Document Options**, select the number of pages that you want to print on each sheet (1, 2, 4, 6, 9, or 16).
4. If the number of pages is greater than 1, select the correct options for **Print Page Borders** and **Page Order**.
5. Click **OK**. The product is now set to print the number of pages per sheet that you have selected.

Setting the color options

Options on the **Color** tab control how colors are interpreted and printed from software programs. You can choose either **Automatic** or **Manual** color options.

- Select **Automatic** to optimize the color and halftone settings for text, graphics, and photographs. The **Automatic** setting provides additional color options for programs and operating systems that support color-management systems. This setting is recommended for printing all color documents.
- Select **Manual** to adjust the color and halftone settings for text, graphics, and photographs. If you are using a PCL driver, you can adjust the RGB data. If you are using the PS driver, you can adjust RGB or CMYK data.

To set the color options

1. Open the printer driver (see [Opening the printer drivers](#)).
2. Click the **Color** tab.
3. In the **Color Options** area, select the option that you want to use.
4. If you selected **Manual**, click **Settings** to open the **Color Settings** dialog box. Adjust the individual settings for text, graphics, and photographs. You can also adjust the general printing settings. Click **OK**.
5. In the **Color Themes** area, select the **RGB Color** option that you want to use.
6. Click **OK**.

Using the HP Digital Imaging Options dialog box

Use **HP Digital Imaging Options** to print better-quality photos and images.



NOTE **HP Digital Imaging Options** are available for Windows 2000, Windows XP, and Windows Server 2003.

The following options are available on the **HP Digital Imaging Options** dialog box:

- **Contrast Enhancement:** Enhance colors and contrast for washed-out photos. Click **Automatic** to allow the printer software to brighten areas of photos that need adjustment.
- **Digital Flash:** Adjust the exposure in dark areas of photos to bring out detail. Click **Automatic** to allow the printer software to balance lightness and darkness.
- **SmartFocus:** Enhance the image quality and clarity of low resolution images such as those downloaded from the Internet. Click **On** to allow the printer software to sharpen details in the image.
- **Sharpness:** Adjust the image sharpness to your preference. Click **Automatic** to allow the printer software to set the level of sharpening for the image.
- **Smoothing:** Soften an image. Click **Automatic** to allow the printer software to set the level of smoothing for the image.

Opening the HP Digital Imaging Options dialog box

1. Open the **Printer Properties** dialog box.
2. Click the **Paper/Quality** tab, and then click the **HP Digital Imaging** button.



NOTE If you installed the HP Image Zone software, you can use it to edit and further enhance digital photos.

Using the Services tab



NOTE The **Services** tab is not available for Windows 9x.

If the product is connected to a network, use the **Services** tab to obtain product and supply-status information. Click the **Device and Supplies status icon** to open the **Device Status** page of the HP Embedded Web Server. This page shows the current status of the product, the percentage of life remaining for each supply, and information for ordering supplies.

Using features in the Macintosh printer driver

When you print from a software program, many of the printer features are available from the printer driver. For complete information about the features that are available in the printer driver, see the printer-driver Help. The following features are described in this section:

- [Creating and using presets in Mac OS X](#)
- [Printing a cover page](#)
- [Printing multiple pages on one sheet of paper](#)
- [Setting the color options](#)



NOTE Settings in the printer driver and software program generally override control-panel settings. Software-program settings generally override printer-driver settings.

Creating and using presets in Mac OS X

Use presets to save the current printer driver settings for reuse.

To create a preset

1. Open the printer driver (see [Opening the printer drivers](#)).
2. Select the print settings.
3. In the **Presets** box, click **Save As...**, and type a name for the preset.
4. Click **OK**.

To use presets

1. Open the printer driver (see [Opening the printer drivers](#)).
2. In the **Presets** menu, select the preset that you want to use.



NOTE To use printer-driver default settings, select the **Standard** preset.

Printing a cover page

You can print a separate cover page for your document that includes a message (such as “Confidential”).

1. Open the printer driver (see [Opening the printer drivers](#)).
2. On the **Cover Page** or **Paper/Quality** pop-up menu, select whether to print the cover page **Before Document** or **After Document**.
3. If you are using Mac OS X, in the **Cover Page Type** pop-up menu, select the message that you want to print on the cover page.



NOTE To print a blank cover page, select **Standard** as the **Cover Page Type**.

Printing multiple pages on one sheet of paper

You can print more than one page on a single sheet of paper. This feature provides a cost-effective way to print draft pages.

1. Open the printer driver (see [Opening the printer drivers](#)).
2. Click the **Layout** pop-up menu.
3. Next to **Pages per Sheet**, select the number of pages that you want to print on each sheet (1, 2, 4, 6, 9, or 16).
4. Next to **Layout Direction**, select the order and placement of the pages on the sheet.
5. Next to **Borders**, select the type of border to print around each page on the sheet.

Setting the color options

Use the **Color Options** pop-up menu to control how colors are interpreted and printed from software programs.

1. Open the printer driver (see [Opening the printer drivers](#)).
2. Open the **Color Options** pop-up menu.
3. If you are using Mac OS X, click **Show Advanced Options**.
4. Adjust the individual settings for text, graphics, and photographs.

Printing on special media

Use these guidelines when printing on special types of media.

Transparencies

- Handle transparencies using the edges. Oils from your fingers deposited on the transparency can cause print quality problems.
- Use only overhead transparencies recommended for use in this printer. Hewlett-Packard recommends using HP Color LaserJet Transparencies with this printer. HP products are designed to work together for optimum printing results.
- In either the software program or the printer driver, select **TRANSPARENCY** as the media type, or print from a tray that is configured for transparencies.



CAUTION Transparencies not designed for LaserJet printing will melt in the printer, causing damage to the printer. Do not use transparencies designed for monochrome printing.

Glossy paper

- In either the software application or the driver, select **GLOSSY** as the media type, or print from a tray that is configured for glossy paper.
 - **HP Color LaserJet 3600 and 3800 Series printers:** Select **GLOSSY** for media weights up to 120 g/m² (32 lb bond). Select **Heavy Glossy** for media weights up to 163 g/m² (43 lb bond). Select **Extra Heavy Glossy** for media weights up to 220 g/m² (58 lb bond).
 - **HP Color LaserJet 3000 Series printer:** Select **GLOSSY** for media weights up to 120 g/m² (32 lb bond).
- Because this affects all print jobs, it is important to return the printer to its original settings once the job has printed. See [Configuring trays](#) for more information.



NOTE Hewlett-Packard recommends using HP Color LaserJet Soft Gloss paper with this printer. HP products are designed to work together for optimum printing results. If HP Color LaserJet Soft Gloss paper is not used with this printer, print quality may be compromised.

Colored paper

- Colored paper should be of the same high quality as white xerographic paper.
- Pigments used must be able to withstand the printer's fusing temperature of 190° C (374° F) for 0.1 second without deterioration.
- Do not use paper with a colored coating that was added after the paper was produced.
- The printer creates colors by printing patterns of dots, overlaying and varying their spacing to produce various colors. Varying the shade or color of the paper will affect the shades of the printed colors.

Envelopes



NOTE Envelopes can be printed only from tray 1. Set the tray media size to the specific envelope size. See [Printing envelopes from tray 1](#).

Adhere to the following guidelines to help ensure proper printing on envelopes and to help prevent printer jams:

- Do not load more than 10 envelopes into tray 1.
- The weight rating of envelopes should not exceed 90 g/m² (24 lb bond).
- Envelopes should be flat.
- Do not use envelopes with windows or clasps.
- Envelopes must not be wrinkled, nicked, or otherwise damaged.
- Envelopes with peel-off adhesive strips must use adhesives that can withstand the heat and pressures of the printer's fusing process.
- Envelopes should be loaded face-down with the top of the envelope to the left, and the short edge feeding into the printer first.



NOTE In high humidity environments, envelopes should be printed long-edge first to prevent them from sealing during printing. For long-edge printing, envelopes should be loaded long edge first, face down. See [Printing envelopes from tray 1](#).

Labels



NOTE In either the application or the printer driver, select **Labels** as the media type, or configure tray 1 for labels. See [Configuring trays](#).

- Verify that the labels' adhesive material can tolerate temperatures of 190° C (374° F) for 0.1 second.
- Verify that there is no exposed adhesive material between the labels. Exposed areas can cause labels to peel off during printing, which can cause paper jams. Exposed adhesive can also cause damage to printer components.
- Do not re-feed a sheet of labels.
- Verify that labels lie flat.
- Do not use labels that are wrinkled, bubbled, or otherwise damaged.

Heavy paper

- Any tray will print most heavy media that does not exceed 105 g/m² (28 lb bond).
- Use cardstock (135 g/m² to 220 g/m² (36 to 58 lb bond)) only in tray 1.
- In either the software application or the printer driver, select **Heavy** (106 g/m² to 163 g/m² (28 to 43 lb bond)) or **Cardstock** (135 g/m² to 220 g/m² (36 to 58 lb bond)) as the media type, or print from a tray that is configured for heavy paper. Because this setting affects all print jobs, it is important to return the printer back to its original settings once the job has printed. See [Configuring trays](#).



CAUTION In general, do not use paper that is heavier than the media specification recommended for this printer. Doing so can cause misfeeds, paper jams, reduced print quality, and excessive mechanical wear. However, some heavier media, such as HP Cover Stock, can be safely used.

HP LaserJet Tough paper

- Use only HP LaserJet Tough paper with this printer. HP products are designed to work together for optimum printing results.
- Handle HP LaserJet Tough paper using the edges. Oils from your fingers deposited on HP LaserJet Tough paper can cause print quality problems.
- In either the software application or the printer driver, select **Tough Paper** as the media type, or print from a tray that is configured for HP LaserJet Tough paper.



CAUTION Transparent media that are not designed for LaserJet printing will melt in the printer, causing damage to the printer.

Preprinted forms and letterhead

- Forms and letterhead must be printed with heat-resistant inks that will not melt, vaporize, or release hazardous emissions when subjected to the printer's fusing temperature of approximately 190° C (374° F) or 0.1 second.
- Inks must be nonflammable and should not adversely affect any printer rollers.
- Forms and letterhead should be sealed in a moisture-proof wrapping to prevent changes during storage.
- Before loading preprinted paper, verify that the ink on the paper is dry. During the fusing process, wet ink can come off of preprinted paper.
- When 2-sided (duplex) printing, load preprinted forms and letterhead into tray 2 and tray 3 face-down with the top edge at the back of the tray. To load preprinted forms and letterhead into tray 1, load them face-up with the bottom edge feeding in first.
- When 1-sided (simplex) printing, load preprinted forms and letterhead into tray 2 or tray 3 face-up with the top edge of the page at the front of the tray. To load preprinted forms and letterhead into tray 1, place them in the tray with the side to be printed face-down with the bottom edge feeding in first.

Recycled paper

This printer supports the use of recycled paper. Recycled paper must meet the same specifications as standard paper. See the *HP LaserJet Printer Family Print Media Specification Guide*. Hewlett-Packard recommends that recycled paper contain no more than 5 percent ground wood.

Using 2-sided (duplex) printing



NOTE Two-sided printing is available for the HP Color LaserJet 3000dn, 3000dtn, 3600dn, 3800dn, and 3800dtn printers.

The printer can print on both sides of the paper. If the printer is not equipped with automatic 2-sided printing, see [Manual 2-sided printing](#).

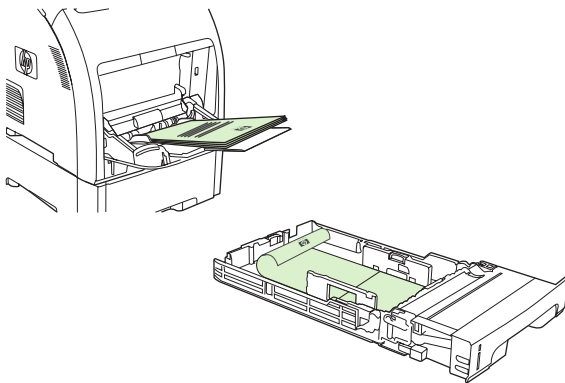
Automatic 2-sided printing



NOTE You must specify automatic 2-sided printing options in your software program or in the printer driver as well in order to print on both sides of the page.

Perform the following steps to use automatic 2-sided printing:

- Verify that the printer driver is configured for 2-sided printing. (For instructions, see the online Help for the printer driver.)
- Select the appropriate 2-sided printing options in the printer driver software, including page and binding orientation.
- For certain media types, including transparencies, labels, cardstock, and glossy film, 2-sided printing is not supported.
- For best results, avoid 2-sided printing on rough-textured, heavy-weight paper.
- When using 2-sided printing, load pre-printed forms and letterhead into tray 1 face-up with the bottom edge of the page feeding first. Load preprinted forms and letterhead into tray 2 and tray 3 face-down with the top edge at the back of the tray.



NOTE Loading pre-printed forms and letterhead for 2-sided printing is different than loading for 1-sided printing.



NOTE When duplexing, the printer prints on the first side of the page and then moves the page into the output bin momentarily. The printer then pulls the page back into the printer to print the second side of the page. Make sure that the page is complete before taking a page from the output bin. Pulling a page from the bin while the printer is trying to pull the page back into the printer can cause a jam.

Control-panel settings for automatic 2-sided printing

Many software programs include 2-sided printing settings. If your software program or printer driver does *not* include 2-sided printing options, you can adjust these settings through the control panel. The factory default setting is **OFF**.



CAUTION Do not use 2-sided printing when printing on labels, transparencies, or glossy paper. Serious damage to the printer can result.

To turn 2-sided printing on or off from the control panel



NOTE Changing settings for 2-sided printing from the printer control panel affects all print jobs. Whenever possible, change settings for 2-sided printing in your software program or printer driver.

To select 2-sided printing from the printer driver, the driver must be configured correctly. For instructions, see the online Help for the printer driver.

1. Press **Menu**.
2. Press **▼** to highlight **CONFIGURE DEVICE**, and then press **✓**.
3. Press **✓** to select **PRINTING**.
4. Press **▼** to highlight **DUPLEX**, and then press **✓**.
5. Press **▲** or **▼** to select **ON** to turn on 2-sided printing or **OFF** to turn off 2-sided printing, and then press **✓**.
6. Press **Menu** to return to the **Ready** state.

Options for binding 2-sided printing jobs

Before printing a 2-sided document, use the printer driver to specify the edge on which you will bind your finished document. Long-edge or book binding is the conventional layout used for books. Short-edge or tablet binding is the typical calendar binding.



NOTE The default setting is to bind on the long edge for pages in portrait orientation. To change to short-edge binding, select the **Flip Pages Up** check box.

Manual 2-sided printing

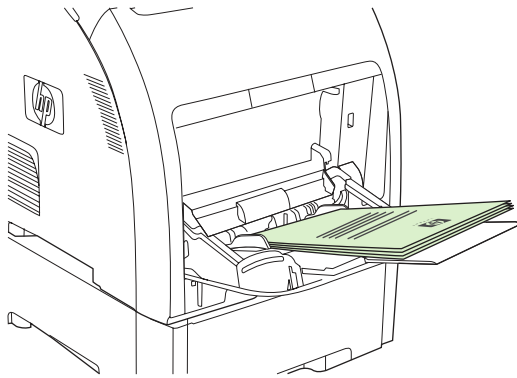
To print a duplexed document on media other than the supported sizes or weights (see [Print-media specifications](#)), or if your printer does not support automatic 2-sided printing, go to the printer and reinsert the paper manually after the first side has printed.



NOTE Damaged or reused media can cause jams and should not be used.

To manually print on two sides (duplex)

1. For tray 1, load letterhead paper face-up, with the bottom edge feeding first.
For tray 2 (250-sheet tray) or tray 3 (500-sheet tray), load letterhead paper face-down, with the top edge at the back of the tray.
2. Open the printer driver.
3. Select the appropriate size and type.
4. On the **Finishing** tab, select **Print on Both Sides (Manually)**.
5. Click **OK**.
6. Go to the printer. When the **MANUAL FEED** prompt appears, remove any blank paper from tray 1. Remove the printed stack from the output bin and insert the stack with the printed side up, bottom edge feeding *first*. You *must* print the second side from tray 1.



NOTE Do not discard any blank sheets from the printed stack.

7. If prompted by a message at the control panel, press ✓.



NOTE If total sheets exceed the tray 1 capacity for manual duplex jobs, feed the top 100 sheets first and press ✓. When prompted, feed the next 100 sheets and press ✓. Repeat as necessary until all of the sheets from the printed stack have been loaded into tray 1.

Managing special printing situations

Printing a different first page

Use the following procedure to print the first page of a document on a different media type than the rest of the document. For example, you can print the first page of a document on letterhead paper and the rest on plain paper.

1. From your software program or printer driver, specify a tray for the first page and another tray for the remaining pages.
2. Load the special media into the tray that you specified in step 1.
3. Load the media for the remaining pages of the document into another tray.
4. Print the document.

You can also print on different media by using the printer control panel or printer driver to set the types of media that are loaded in the trays and then selecting the first and remaining pages by media type.

Printing on custom-size media

The printer supports single-sided printing and manual duplexing on custom-size media. Tray 1 supports media sizes from 76 x 127 mm (3 x 5 inches) to 216 x 356 mm (8.5 x 14 inches). Tray 2 and tray 3 support media sizes from 148 x 210 mm (5.83 x 8.27 inches) to 215.9 x 355.6 mm (8.5 x 14 inches).

When printing on custom-size media, if tray 1 is configured in the printer control panel as **TRAY X TYPE= ANY TYPE** and **TRAY X SIZE= ANY**, the printer will print on whatever media is loaded in the tray.

Some software programs and printer drivers allow you to specify custom media-size dimensions. Be sure to set the correct media size in both the page setup and print dialog boxes. If your software does not allow this, specify the custom media-size dimensions in the **PAPER HANDLING** control-panel menu. See [Paper Handling menu](#) for more information.

If your software program requires you to calculate margins for custom-size media, see the online Help for that program.

Stopping a print request

You can stop a print request by using the printer control panel or using your software program. For instructions on how to stop a print request from a computer on a network, see the online Help for the specific network software.



NOTE It can take some time for all printing to clear after you have canceled a print job.

To stop the current print job from the printer control panel

1. Press **Stop** on the printer control panel.
2. Press **▼** to highlight **Cancel Current Job**, and then press **✓** to cancel the job.

If the print job is too far into the printing process, you might not have the option to cancel it.

To stop the current print job from the software program

A dialog box will appear briefly on the screen, giving you the option to cancel the print job.

If several requests have been sent to the printer through your software, they might be waiting in a print queue (for example, in Windows Print Manager). See the software documentation for specific instructions about canceling a print request from the computer.

If a print job is waiting in a print queue (computer memory) or print spooler (Windows 98, 2000, XP, or Me), delete the print job there.

For Windows 98 or Windows Me, click **Start**, click **Settings**, and then click **Printers**. For Windows 2000 and Windows XP, click **Start** and then click **Printers**. Double-click the HP Color LaserJet 3000, 3600, or 3800 printer icon to open the print spooler. Select the print job that you want to cancel, and then press **Delete**. If the print job is not cancelled, you might need to shut down and restart the computer.

Managing stored jobs



NOTE This feature is available for the HP Color LaserJet 3000 and 3800 Series printers only.

NOTE This feature is available only for printers with installed hard drives.

To store print jobs on the printer, use the **Job Storage** tab in the printer driver **Properties** dialog box. After a job is stored, you can print it or delete it from the printer control panel.

To print a stored job

1. Press **Menu**.
2. Press **▼** to highlight **RETRIEVE JOB**, and then press **✓**.
A list of users appears. If no jobs are stored, then the message **NO STORED JOBS** appears.
3. Press **▼** to highlight your user name, and then press **✓**.
 - If you have more than one stored job that is protected by a personal identification number (PIN), the **ALL PRIVATE JOBS** menu item appears. If you want to print one of the PIN-protected jobs, highlight **ALL PRIVATE JOBS**, and then press **✓**.
4. Press **▼** to highlight the correct print job, and then press **✓**.
5. Press **▼** to highlight **PRINT**, and then press **✓**.
 - If the job is *not* PIN-protected, go to step 7.
6. If prompted, provide a PIN by pressing **▲** or **▼** to change the number. Press **✓** after you have specified each number of the four-digit PIN.
7. Press **▲** and **▼** to specify the number of copies, and then press **✓** to print the job.

To delete a stored job

1. Press **Menu**.
2. Press **▼** to highlight **RETRIEVE JOB**, and then press **✓**.
A list of users appears. If there are no stored jobs, then the message **NO STORED JOBS** appears.
3. Press **▼** to highlight your user name, and then press **✓**.
 - If you have more than one stored job that is PIN-protected, the **ALL PRIVATE JOBS** menu item appears. If you want to delete one of the PIN-protected jobs, highlight **ALL PRIVATE JOBS**, and then press **✓**.
4. Press **▼** to highlight the correct print job, and then press **✓**.
5. Press **▼** to highlight **DELETE**, and then press **✓**.
If the job is *not* PIN-protected, the printer deletes the job.
6. If prompted, provide a PIN by pressing **▲** or **▼** to change the number. Press **✓** after you have specified each number of the four-digit PIN.
The printer deletes the job after you set the fourth PIN digit and press **✓**.

Managing memory

The HP Color LaserJet 3000 and 3800 Series printers support up to 512 MB of memory. You can add additional memory by installing a dual inline memory module (DIMM) in the DIMM slot, which accepts 128, 256, or 512 MB of RAM. For information about installing memory, see [Working with memory](#).

The printer uses 200-pin, nonparity, synchronous DRAM memory modules. Extended data output (EDO) DIMMs are not supported.



NOTE If memory problems occur when you are printing complex graphics, you can make more memory available by removing downloaded fonts, style sheets, and macros from printer memory. Reducing the complexity of a print job from within an application can help avoid memory problems.

NOTE Be sure to update the printer configuration in the printer driver after adding memory. See [Enabling memory](#).

5 Managing the printer

This chapter describes how to manage the printer:



- [Using printer information pages](#)
- [Configuring e-mail alerts](#)
- [Using the embedded Web server](#)
- [Using the HP Easy Printer Care Software](#)
- [Using the HP Printer Utility for Macintosh](#)



Using printer information pages

From the printer control panel, you can print pages that give details about the printer and its current configuration. The table below provides the procedures for printing the information pages.



NOTE Printer information pages for the HP Color LaserJet 3600 Series printer are available in English only.

Page description	How to print the page
Menu map Shows the control-panel menus and available settings.	<ol style="list-style-type: none">1. Press Menu.2. Press ▼ to highlight INFORMATION, and then press ✓.3. If PRINT MENU MAP is not highlighted, press ▲ or ▼ until it is highlighted, and then press ✓. <p>The content of the menu map varies, depending on the options currently installed in the printer.</p> <p>For a complete list of control panel menus and possible values, see Using the control-panel menus.</p>
Configuration page Shows printer settings and installed accessories.	<ol style="list-style-type: none">1. Press Menu.2. Press ▼ to highlight INFORMATION, and then press ✓.3. Press ▼ to highlight PRINT CONFIGURATION, and then press ✓. <p> NOTE If the printer contains an HP Jetdirect print server or an optional hard disk drive, an additional configuration page prints that provides information about those devices.</p>
Supplies status page Shows print-cartridge toner levels.	<ol style="list-style-type: none">1. Press Menu.2. Press ▼ to highlight INFORMATION, and then press ✓.3. Press ▼ to highlight PRINT SUPPLIES STATUS PAGE, and then press ✓. <p> NOTE If you are using non-HP supplies, the supplies status page might not show the remaining life for those supplies. For more information, see Non-HP print cartridges.</p>
Usage page (HP Color LaserJet 3000 and 3800 Series printers only) Shows a page count for each size of paper printed, the number of one-sided (simplex) or two-sided (duplex) pages, and the average percentage of coverage for each color.	<ol style="list-style-type: none">1. Press Menu.2. Press ▼ to highlight INFORMATION, and then press ✓.3. Press ▼ to highlight PRINT USAGE PAGE, and then press ✓.
Demo page Shows a color photograph that allows you to check print quality.	<ol style="list-style-type: none">1. Press Menu.2. Press ▼ to highlight INFORMATION, and then press ✓.3. Press ▼ to highlight PRINT DEMO, and then press ✓.

Page description	How to print the page
<p>Color usage log</p> <p>Shows color use statistics for the printer.</p>	<ol style="list-style-type: none"> 1. Press Menu. 2. Press ▼ to highlight INFORMATION, and then press ✓. 3. Press ▼ to highlight PRINT COLOR USAGE JOB LOG, and then press ✓.
<p>File directory (HP Color LaserJet 3000 and 3800 Series printers only)</p> <p>Shows information for all installed mass storage devices.</p>	<ol style="list-style-type: none"> 1. Press Menu. 2. Press ▼ to highlight INFORMATION, and then press ✓. 3. Press ▼ to highlight PRINT FILE DIRECTORY, and then press ✓. <p> NOTE This option does not appear if no mass storage devices are installed.</p>
<p>PCL or PS font list (HP Color LaserJet 3000 and 3800 Series printers only)</p> <p>Shows which fonts are currently installed in the printer.</p>	<ol style="list-style-type: none"> 1. Press Menu. 2. Press ▼ to highlight INFORMATION, and then press ✓. 3. Press ▼ to highlight PRINT PCL FONT LIST or PRINT PS FONT LIST, and then press ✓. <p> NOTE The font lists also show which fonts are resident on an optional hard disk accessory or flash DIMM.</p>

Configuring e-mail alerts



NOTE If your host software does not support e-mail, this feature might not be available on the HP Color LaserJet 3600 Series printer.

You can use HP Web Jetadmin or the embedded Web server to configure the system to alert you of problems with the printer. The alerts take the form of e-mail messages to the e-mail account(s) that you specify.

You can configure the following:

- The printer(s) you want to monitor
- The alerts you want to receive (for example, alerts for paper jams, paper out, supplies status, and cover open)
- The e-mail account(s) to which the alerts should be forwarded

Software	Information location
HP Web Jetadmin	See HP Web Jetadmin for general information about HP Web Jetadmin. See the HP Web Jetadmin Help system for details on alerts and how to set them up.
Embedded Web server	See Using the embedded Web server for general information about the embedded Web server. See the embedded Web server Help system for details on alerts and how to set them up.

Using the embedded Web server



NOTE The HP Color LaserJet 3600 Series printer embedded Web server provides network configuration and status information only.

NOTE When the printer is directly connected to a computer, use the HP Easy Printer Care Software to view the printer status.

- View printer control status information
- Set the type of paper loaded in each tray
- Determine the remaining life on all supplies and order new ones
- View and change tray configurations
- View and change the printer control panel menu configuration
- View and print internal pages
- Receive notification of printer and supplies events
- View and change network configuration
- View support content that is specific to the current state of the printer
- Restrict access to color printing features (HP Color LaserJet 3000 Series printer only)

When the printer is connected to the network, the embedded Web server is automatically available. You can open the embedded Web server from Windows 95 and later.

Use the embedded Web server to view printer and network status and to manage printing functions from your computer instead of from the printer control panel.

To use the embedded Web server, you must have Microsoft Internet Explorer 4 and later or Netscape Navigator 4 and later. The embedded Web server works when the printer is connected to an IP-based network. The embedded Web server does not support IPX-based or AppleTalk printer connections. You do not need Internet access to open and use the embedded Web server.

To access the embedded Web server by using a network connection

1. In a supported Web browser on your computer, type the IP address for the printer in the address/URL field. (To find the IP address, print a configuration page. See [Using printer information pages.](#))




NOTE After you open the URL, you can bookmark it so that you can return to it quickly in the future.



2. The embedded Web server has three tabs that contain settings and information about the printer: the **Information** tab, the **Settings** tab, and the **Networking** tab. Click the tab that you want to view.

See the following section for more information about each tab.

Embedded Web server sections

The table below describes the basic screens of the embedded Web server.

Tab or section	Description
<p>Information tab</p> <p>Provides printer, status, and configuration information.</p>	<ul style="list-style-type: none"> ● Device Status: Shows the printer status and shows the life remaining of HP supplies, with 0% indicating that a supply is empty. The page also shows the type and size of print paper set for each tray. To change the default settings, click Change Settings. ● Configuration Page: Shows the information found on the printer configuration page. ● Supplies Status: Shows the life remaining of HP supplies, with 0 percent indicating that a supply is empty. This page also provides supplies part numbers. To order new supplies, click Order Supplies in the Other Links area on the left side of the window. ● Event log: Shows a list of all printer events and errors. ● Usage page: Shows a summary of the number of pages the printer has printed, grouped by size and type. ● Diagnostics Page: Provides information about printer calibration, color density, and other parameters. ● Device Information: Shows the printer network name, address, and model information. To change these entries, click Device Information on the Settings tab. ● Control Panel: Shows messages from the printer control panel, such as Ready or Sleep mode on. ● Color Usage Job Log: Shows user color print jobs on a job-by-job basis. ● Print: Allows you to send print jobs to the printer.
<p>Settings tab</p> <p>Provides the ability to configure the printer from your computer.</p>	<ul style="list-style-type: none"> ● Configure Device: Allows you to configure printer settings. This page contains the traditional menus found on printers using a control-panel display. ● E-mail Server: Network only. Used in conjunction with the Alerts page to set up incoming and outgoing e-mail, as well as to set e-mail alerts. ● Alerts: Network only. Allows you to set up to receive e-mail alerts for various printer and supplies events. ● AutoSend: Allows you to configure the printer to send automated e-mails regarding printer configuration and supplies to specific e-mail addresses. ● Security: Allows you to set a password that must be entered to gain access to the Settings and Networking tabs. Enable and disable certain features of the embedded Web server. ● Edit Other Links: Allows you to add or customize a link to another Web site. This link is displayed in the Other Links area on all embedded Web server pages. ● Device Information: Allows you to name the printer and assign an asset number to it. Enter the name and e-mail address for the primary contact who will receive information about the printer. ● Language: Allows you to determine the language in which to display the embedded Web server information. ● Date & Time: Allows time synchronization with a network time server. ● Wake Time: Allows you to set or edit a wake time for the printer. ● Restrict Color: Allows you to set user color print job restrictions.
	<p> NOTE The Settings tab can be password-protected. If this printer is on a network, always consult with the printer administrator before changing settings on this tab.</p>

Tab or section	Description
<p>Networking tab</p> <p>Provides the ability to change network settings from your computer.</p>	<p>Network administrators can use this tab to control network-related settings for the printer when it is connected to an IP-based network. This tab does not appear if the printer is directly connected to a computer, or if the printer is connected to a network using anything other than an HP Jetdirect print server.</p> <hr/> <p> NOTE The Networking tab can be password-protected.</p>
<p>Other links</p> <p>Contains links that connect you to the Internet.</p>	<ul style="list-style-type: none"> ● HP Instant Support™: Connects you to the HP Web site to help you find solutions. This service analyzes your printer error log and configuration information to provide diagnostic and support information specific to your printer. ● Order Supplies: Connects to the HP Web site, in which you can order genuine HP supplies, such as print cartridges and paper. ● Product Support: Connects to the support site for the printer, from which you can search for help regarding general topics. <hr/> <p> NOTE You must have Internet access in order to use any of these links. If you use a dial-up connection and did not connect when you first opened the embedded Web server, you must connect before you can visit these Web sites. Connecting might require that you close the embedded Web server and reopen it.</p>

Using the HP Easy Printer Care Software

The HP Easy Printer Care Software is an application that you can use for the following tasks:

- Check the printer status.
- Check supplies status.
- Set up alerts.
- Gain access to troubleshooting and maintenance tools.

You can use the HP Easy Printer Care Software when the printer is directly connected to your computer or when it is connected to a network. You must perform a complete software installation to use the HP Easy Printer Care Software.



NOTE You do not have to have Internet access to open and use the HP Easy Printer Care Software. However, if you click a Web-based link, you must have Internet access to go to the site associated with the link.

Supported operating systems

The HP Easy Printer Care Software is supported for Windows 2000 and Windows XP.


To use the HP Easy Printer Care Software


Use one of the following methods to open HP Easy Printer Care Software:

- On the **Start** menu, select **Programs**, select **HP**, and then select **HP Easy Printer Care Software**.
- In the Windows system tray (in the lower righthand corner of the desktop), double-click the HP Easy Printer Care Software icon.
- Double-click the desktop icon.

HP Easy Printer Care Software sections

The HP Easy Printer Care Software contains the sections described in the table below.

Section	Description
Overview tab Contains basic status information for the printer.	<ul style="list-style-type: none">● Devices list: Shows the printers that you can select.● Device Status section: Shows printer status information. This section will indicate printer alert conditions, such as an empty print cartridge. It also shows device-identification information, control-panel messages, and print-cartridge levels. After you correct a problem with the printer, click the  button to update the section.● Supplies Status section: Shows detailed supplies status, such as the percentage of toner remaining in the print cartridges and the status of the media that is loaded in each tray.● Supplies Details link: Opens the supplies status page to view more detailed information about printer supplies, ordering information, and recycling information.
Support tab Provides help information and links.	<ul style="list-style-type: none">● Provides device information, including alerts for items needing attention.● Provides links to troubleshooting information and tools.● Provides links to the HP Web site for registration, support, and for ordering supplies.

Section	Description
	 <p>NOTE If you use a dial-up connection and did not connect to the Internet when you first opened the HP Easy Printer Care Software, you must connect before you can visit these Web sites.</p>
<p>Supplies Ordering window</p> <p>Provides access to online or e-mail supplies ordering.</p>	<ul style="list-style-type: none"> ● Ordering list: Shows the supplies that you can order for each printer. If you want to order a certain item, click the Order check box for that item in the supplies list. ● Shop Online for Supplies button: Opens the HP supplies Web site in a new browser window. If you have checked the Order check box for any items, the information about those items can be transferred to the Web site. ● Print Shopping List button: Prints the information for the supplies that have the Order check box selected. ● Email Shopping List button: Creates a text list of items that have the Order check box selected. The list can be copied into an e-mail message that you send to your supplier.
<p>Alert Settings window</p> <p>Allows you to configure the printer to automatically notify you of printer issues.</p>	<ul style="list-style-type: none"> ● Alerts on or off: Activates or deactivates the alerts feature for a certain printer. ● When alerts appear: Sets when you want alerts to appear—either when you are printing to that particular printer, or anytime there is a printer event. ● Alert event type: Sets whether you want alerts for only critical errors, or for any error, including continuable errors. ● Notification type: Sets what type of alert should appear (pop-up message or system tray alert, and e-mail message).
<p>Device List tab</p> <p>Shows information about each printer in the Devices list.</p>	<ul style="list-style-type: none"> ● Printer information, including printer name, make, and model ● An icon (if the View as drop-down box is set to Tiles, which is the default setting) ● Any current alerts for the printer <p>If you click a printer in the list, the HP Easy Printer Care Software opens the Overview tab for that printer.</p> <p>Device List tab information includes the following:</p>
<p>Find Other Printers window</p> <p>Allows you to add more printers to your printer list.</p>	<p>Clicking the Find Other Printers link in the Devices list opens the Find Other Printers window. The Find Other Printers window provides a utility that detects other network printers so that you can add them to the Devices list and then monitor those printers from your computer.</p>

Using the HP Printer Utility for Macintosh

Use the HP Printer Utility to configure and maintain a printer from a Mac OS X V10.2 or V10.3 computer.

Opening the HP Printer Utility

To open the HP Printer Utility in Mac OS X V10.2

1. Open the Finder, and then click **Applications**.
2. Click **Library**, and then click **Printers**.
3. Click **hp**, and then click **Utilities**.
4. Double-click **HP Printer Selector** to open the HP Printer Selector.
5. Select the printer that you want to configure, and then click **Utility**.

To open the HP Printer Utility in Mac OS X V10.3

1. In the Dock, click the **Printer Setup Utility** icon.



NOTE If the **Printer Setup Utility** icon does not appear in the Dock, open the Finder, click **Applications**, click **Utilities**, and then double-click **Printer Setup Utility**.

2. Select the printer that you want to configure, and then click **Utility**.

HP Printer Utility features

The HP Printer Utility consists of pages that you open by clicking in the **Configuration Settings** list. The following table describes the tasks that you can perform from these pages.

Item	Description
Color Cleaning	Prints a cleaning page.
Configuration Page	Prints a configuration page.
Supplies Status	Shows the printer supplies status and provides links for online supplies-ordering.
HP Support	Provides access to technical assistance, online supplies ordering, online registration, and recycling and return information.
File Upload	Transfers files from the computer to the printer.
Upload Fonts	Transfers font files from the computer to the printer.
Firmware Update	Transfers updated firmware files from the computer to the printer.
Duplex Mode	Turns on the automatic two-sided printing mode.
Economode Toner Density	Turns on the Economode setting to conserve toner, or adjusts toner density.
Resolution	Changes the resolution settings, including the REt setting.
Lock Resources	Locks or unlocks storage devices, such as a hard disk.
Stored Jobs	Manages print jobs that are stored on the printer hard disk.
Trays Configuration	Changes the default printer tray settings.

Item	Description
IP Settings	Changes the printer network settings and provides access to the embedded Web server.
Additional Settings	Provides access to the embedded Web server.
E-mail Alerts	Configures the printer to send e-mail notices for certain events.

6 Color

This chapter describes how to produce the best possible color printing:

- [Using color](#)
- [Managing color](#)
- [Matching colors](#)

Using color

The HP Color LaserJet 3000, 3600, and 3800 Series printers provide automatic color features that generate excellent color results. Carefully designed and tested color tables provide smooth, accurate color rendition of all printable colors.

The printers also provide sophisticated tools for the experienced professional.

HP ImageREt

HP ImageREt is a technology that provides the best color print quality without having to change printer driver settings or make trade-offs between print quality, performance, and memory. ImageREt produces photorealistic images.

Depending on your printer, the following HP ImageREt versions offer trapping technologies, control over dot placement, and more precise control of the toner quality in a dot.

- **HP ImageREt 2400** (HP Color LaserJet 3000 Series printer) produces a 600x600 dpi print resolution that provides 2400-dpi laser-class quality with millions of smooth colors.
- **HP ImageREt 3600** (HP Color LaserJet 3600 and 3800 Series printers) produces a 600x600 dpi print resolution that provides 3600-dpi laser-class quality with millions of smooth colors.

Media selection

For the best color and image quality, select the appropriate media type from the software printer menu or from the printer control panel. See [Selecting print media](#).

Color options

Color options automatically provide optimal color output. These options use object tagging, which provides optimal color and halftone settings for different objects (text, graphics, and photos) on a page. The printer driver determines which objects appear on a page and uses halftone and color settings that provide the best print quality for each object.

In the Windows environment, the **Automatic** and **Manual** color options are on the **Color** tab in the printer driver.

Standard red-green-blue (sRGB)

Standard red-green-blue (sRGB) is a worldwide color standard that HP and Microsoft developed as a common color language for monitors, input devices (scanners and digital cameras), and output devices (printers and plotters). It is the default color space used for HP products, Microsoft operating systems, the World Wide Web, and most office software. The sRGB standard represents the typical Windows monitor and is the convergence standard for high-definition television.



NOTE Factors such as the type of monitor you use and the room lighting can affect the appearance of colors on your screen. For more information, see [Matching colors](#).

The latest versions of Adobe PhotoShop®, CorelDRAW, Microsoft Office, and many other programs use sRGB to communicate color. Because it is the default color space in Microsoft operating systems, sRGB has been adopted broadly. When programs and devices use sRGB to exchange color information, typical users experience greatly improved color matching.

The sRGB standard improves your ability to match colors between the printer, the computer monitor, and other input devices automatically, and eliminates the need to become a color expert.

Printing in four colors (CMYK)



NOTE This feature is available for the HP Color LaserJet 3000 and 3800 Series printers only.

Cyan, magenta, yellow, and black (CMYK) are the inks that a printing press uses in four-color printing. Graphic arts (printing and publishing) environments typically use CMYK data files to provide rich, saturated colors for text and graphics. The printer uses the PS printer driver to accept CMYK colors.

CMYK ink-set emulation (PostScript only)

The HP Color LaserJet 3000 and 3800 Series printers use CMYK color rendering to emulate several standard offset-press ink sets:

- **Default CMYK+**: This selection is good for general-purpose rendering of CMYK data. It is designed to render photographs well while providing rich, saturated colors for text and graphics.
- **Specifications for Web Offset Publications (SWOP)**: This selection replicates the common ink standard in the U.S. and other locations.
- **Euroscale**: This selection replicates the common ink standard in Europe and other locations.
- **Dainippon Ink and Chemical (DIC)**: This selection replicates the common ink standard in Japan and other locations.
- **Device**: This selection turns off emulation. Color must be managed in the software program or operating system in order to render photographs correctly.

Managing color

Setting color options to **Automatic** typically produces the best possible print quality for color documents. However, you sometimes might want to print a color document in grayscale (black and white) or change one of the printer color options.

- In Windows, use the settings on the **Color** tab in the printer driver to print in grayscale or change the color options.
- When using a Macintosh computer, use the **Color Matching** pop-up menu in the **Print** dialog box to print in grayscale or change the color options.

Print in Grayscale

Select the **Print in Grayscale** option from the printer driver to print a color document in black and white. This option is useful for printing color documents that will be photocopied or faxed.

When **Print in Grayscale** is selected, the printer uses the monochrome mode, which reduces wear on the color cartridges.

Automatic or manual color adjustment

The **Automatic** color adjustment option optimizes the neutral-gray color treatment, halftones, and edge enhancements for each element in a document. For more information, see your printer driver online Help.



NOTE **Automatic** is the default setting and is recommended for printing all color documents.

Use the **Manual** color adjustment option to adjust the neutral-gray color treatment, halftones, and edge enhancements for text, graphics, and photographs. To gain access to the manual color options, from the **Color** tab, select **Manual**, and then select **Settings**.

Manual color options

Use manual color adjustment to adjust the **Color** (or **Color Map**) and **Halftoning** options individually for text, graphics, and photographs.



NOTE In programs that convert text or graphics to raster images, the **Photographs** settings also control text and graphics.

Table 6-1 Manual color options

Setting description	Setting options
Halftone Halftone options (available for the HP Color LaserJet 3000 and 3800 Series printers only) affect the color output resolution and clarity.	<ul style="list-style-type: none">● Smooth provides better results for large, solid-filled print areas and enhances photographs by smoothing color gradations. Select this option when uniform and smooth area fills are the top priority.● Detail is useful for text and graphics that require sharp distinctions among lines or colors, or images that contain a pattern or a high level of detail. Select this option when sharp edges and details are the top priority.

Table 6-1 Manual color options (continued)

Setting description	Setting options
<p>Neutral Grays</p> <p>The Neutral Grays setting (available for the HP Color LaserJet 3000 and 3800 Series printers only) determines the method for creating gray colors used in text, graphics, and photographs.</p>	<ul style="list-style-type: none">● Black Only generates neutral colors (grays and black) by using only black toner. This guarantees neutral colors without a color cast.● 4-Color generates neutral colors (grays and black) by combining all four toner colors. This method produces smoother gradients and transitions to other colors, and it produces the darkest black.
<p>Edge Control</p> <p>The Edge Control setting determines how edges are rendered. Edge control has two components: adaptive halftoning and trapping. Adaptive halftoning increases edge sharpness. Trapping reduces the effect of color-plane misregistration by overlapping the edges of adjacent objects slightly.</p>	<p>HP Color LaserJet 3000 and 3800 Series printers:</p> <ul style="list-style-type: none">● Maximum is the most aggressive trapping setting. Adaptive halftoning is on.● Normal is the default trapping setting. Trapping is at a medium level and adaptive halftoning is on.● Light sets trapping at a minimal level, and adaptive halftoning is on.● Off turns off both trapping and adaptive halftoning. <p>HP Color LaserJet 3600 Series printer:</p> <ul style="list-style-type: none">● Maximum is the most aggressive trapping setting.● Normal sets the trapping at a medium level.● Light sets trapping at a minimal level.● Off is the default trapping setting. Trapping is turned off.
<p>RGB Color (HP Color LaserJet 3000 and 3800 Series printers only)</p>	<ul style="list-style-type: none">● Default (sRGB) instructs the printer to interpret RGB color as sRGB. The sRGB standard is the accepted standard of Microsoft and the World Wide Web Consortium (http://www.w3.org).● Image optimization (sRGB) (HP Color LaserJet 3800 Series printer only) instructs the printer to use the best color matching for rendering sRGB images. Select this option to print raster objects, such as .BMP, .TIF, or .GIF files.● Adobe RGB (1998) (HP Color LaserJet 3800 Series printer only) instructs the printer to use the best color matching for documents or images that are in the Adobe RGB color space that some digital cameras and high-end graphics programs create. When printing with Adobe RGB from a professional software program, turn off the color management in the program and allow the printer software to manage the color space.● None instructs the printer to print RGB data in raw device mode. You must manage color in the program in which you are working or in the operating system in order to render photographs correctly when this option is selected.● Custom Profile instructs the printer to use a custom input profile to more accurately predict and control color output. Download custom profiles from www.hp.com.

Restricting color printing



NOTE This feature is available for the HP Color LaserJet 3000 and 3800 Series printers only.

The HP Color LaserJet 3000 and 3800 Series printers include a **RESTRICT COLOR USE** setting for networked printers. A network administrator can use the setting to restrict user access to the color printing features in order to conserve color toner. If you are unable to print in color, see your network administrator.

1. Press **Menu**.
2. Press ▼ to select **PRINT QUALITY**, and then press ✓.
3. Press ▼ to select **SYSTEM SETUP**, and then press ✓.
4. Press ▼ to select **RESTRICT COLOR USE**, and then press ✓.
5. Press ▼ to select one of the following options:
 - **DISABLE COLOR**: This setting denies the printer color capabilities to all users.
 - **ENABLE COLOR**: This is the default setting, which allows all users to use the printer color capabilities.
 - **COLOR IF ALLOWED**: This setting allows the network administrator to allow color use for select users. Use the embedded Web server to designate users who can print in color.
6. Press ✓ to save the setting.

The network administrator can monitor color usage for a specific HP Color LaserJet 3000 Series printer by printing a color usage job log. See [Using printer information pages](#).



NOTE For the HP Color LaserJet 3600 Series printer, the network administrator can deny access to color printing through the Driver Management and Control (DMC) program.

Matching colors

The process of matching printer output color to your computer screen is complex, because printers and computer monitors use different methods of producing color. Monitors *display* colors by using light pixels that use an RGB (red, green, blue) color process, but printers *print* colors by using a CMYK (cyan, magenta, yellow, and black) process.

Several factors can influence your ability to match printed colors to those on your monitor:

- Print media
- Printer colorants (inks or toners, for example)
- Printing process (inkjet, press, or laser technology, for example)
- Overhead lighting
- Personal differences in perception of color
- Software programs
- Printer drivers
- Computer operating systems
- Monitors
- Video cards and drivers
- Operating environment (humidity, for example)

Keep these factors in mind when colors on your screen do not perfectly match your printed colors.

For most users, the best method for matching colors is to print sRGB colors.

Sample book color matching



NOTE This feature is available for the HP Color LaserJet 3000 and 3800 Series printers only.

The process for matching printer output to preprinted sample books and standard color references is complex. In general, you can obtain a reasonably good match to a sample book if cyan, magenta, yellow, and black inks are used in the sample book. These are usually referred to as process-color sample books.

Some sample books are created from spot colors, which are specially created colorants. Many of these spot colors are outside the printer gamut (color range). Most spot color sample books have companion process sample books that provide CMYK approximations.

Most process sample books have a note about what process standards were used to print the sample book: SWOP, EURO, or DIC. In most cases, for optimal color matching, select the corresponding ink emulation from the printer menu. If you cannot identify the process standard, use SWOP ink emulation.

Printing color samples

To use the color samples, select the color sample that is the closest match to the desired color. Use the sample's color value in your program to describe the object that you wish to match. Colors can vary depending on paper type and the software program used.

Use the following procedure to print color samples from the printer control panel:

1. Press **Menu**.
2. Press ▼ to highlight **INFORMATION**, and then press ✓.
3. Press ▼ to highlight **PRINT CMYK SAMPLES** (HP Color LaserJet 3000 and 3800 Series printers only) or **PRINT RGB SAMPLES**, and then press ✓.

7 Maintenance

This chapter describes ways to maintain your printer. The following topics are covered:

- [Managing supplies](#)
- [Replacing supplies and parts](#)
- [Cleaning the printer](#)

Managing supplies

Using, storing, and monitoring print cartridges can help ensure quality printer output.

Supplies life

The life of the print cartridge depends on usage patterns and the amount of toner that print jobs require. For example, when printing text at 5 percent coverage, an HP print cartridge lasts an average of 4,000 or 6,000 pages, depending on the printer model. (A typical business letter is about 5 percent coverage.)

Cartridge life expectancy is reduced by frequently printing many 1- or 2-page jobs, heavy coverage, and automatic duplexing. At any time, you can verify the life expectancy by checking the print cartridge life. See [Checking the print-cartridge life](#) for more information.

Approximate print-cartridge replacement intervals

The following table lists the estimated replacement intervals for print cartridges and the control-panel messages that indicate when to replace each item.

Printer	Page count	Approximate time period ¹
HP Color LaserJet 3000 Series printer	6,500 pages ² (black)	6 months
	3,500 pages (color)	
HP Color LaserJet 3600 Series printer	6,000 pages (black)	4 months
	4,000 pages (color)	
HP Color LaserJet 3800 Series printer	6,000 pages (black)	6 months
	6,000 pages (color)	

¹ Approximate life is based on 1,500 pages per month.

² Approximate average A4-/letter-size page count based on approximately 5% coverage of individual colors.

To order supplies online, go to one of the following Web sites:

- www.hp.com/support/clj3000
- www.hp.com/support/clj3600
- www.hp.com/support/clj3800

Checking the print-cartridge life

You can check the print-cartridge life using the printer control panel, the embedded Web server, printer software, HP Easy Printer Care Software, or HP Web Jetadmin software. Check the supplies gauge on the printer control panel for approximate supply levels.

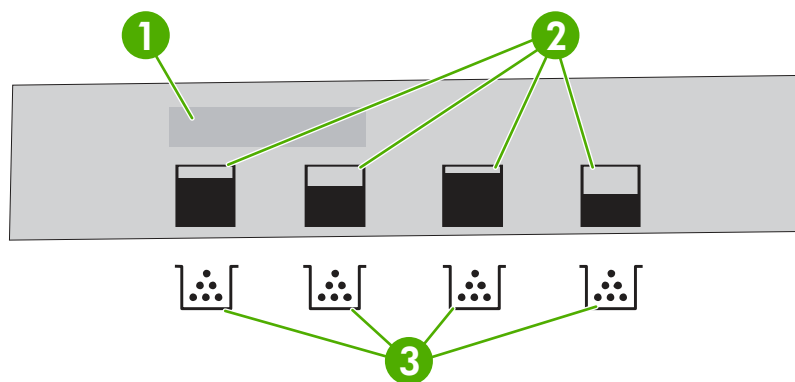



Figure 7-1 Printer display

1	Message/Prompt area
2	Supplies gauge
3	Print cartridge colors from left to right: black, yellow, cyan, and magenta

For more precise levels, follow the instructions in the table below to print a supplies status page.

Device	Procedure
Printer control panel	<ol style="list-style-type: none"> 1. Press Menu. 2. Press ▼ to highlight INFORMATION, and then press ✓. 3. Press ▼ to highlight PRINT SUPPLIES STATUS PAGE, and then press ✓ to print the supplies status page.
HP Easy Printer Care Software	In the Overview tab, in the Supplies Status section, click Supplies Details to open the supplies status page.
Embedded Web server (HP Color LaserJet 3000 and 3800 Series printers only)	<ol style="list-style-type: none"> 1. In your browser, enter the IP address for the printer home page and press Enter to open the printer status page. See Using the embedded Web server. 2. On the left side of the screen, click Supplies Status to open the supplies status page. <p> NOTE The IP address is found on the printer Jetdirect page, which is printed with the configuration page. See Using printer information pages.</p>
HP Web Jetadmin	In HP Web Jetadmin, select the printer device. The device status page shows print cartridge information.

Print-cartridge storage

Do not remove the print cartridge from its package until you are ready to use it.



CAUTION To prevent damage to the print cartridge, do not expose it to light for more than a few minutes, and do not touch the surface of the roller.

HP print cartridges

When you use a genuine new HP print cartridge, you can obtain the following supplies information:

- Percentage of supplies remaining
- Estimated number of pages remaining
- Number of pages printed

Non-HP print cartridges

Hewlett-Packard Company cannot recommend use of non-HP print cartridges, either new or remanufactured. Because they are not genuine HP products, HP cannot influence their design or control their quality. Service or repair that is required as a result of using a non-HP print cartridge *will not* be covered under the printer warranty.

If you use a non-HP print cartridge, HP cannot ensure the accuracy of certain features.

If the non-HP print cartridge was sold to you as a genuine HP product, see [HP fraud hotline and Web site](#).

Print-cartridge authentication

The printer automatically authenticates the print cartridges when the cartridges are inserted into the printer. During authentication, the printer will let you know whether a cartridge is a genuine HP print cartridge.

If the printer control panel message states that this is not a genuine HP print cartridge and you believe you purchased an HP print cartridge, see [HP fraud hotline and Web site](#).

HP fraud hotline and Web site

Call the HP fraud hotline (1-877-219-3183, toll-free in North America) or go to www.hp.com/go/anticounterfeit when you install an HP print cartridge and the printer message says the cartridge is non-HP. HP will help determine if the product is genuine and take steps to resolve the problem.

Your print cartridge might not be a genuine HP print cartridge if you notice the following:

- You are experiencing a high number of problems with the print cartridge.
- The cartridge does not look like it usually does (for example, the orange pull tab is missing, or the packaging differs from HP packaging).

Replacing supplies and parts

Carefully follow the guidelines in this section when replacing printer supplies.

Supply replacement guidelines

To facilitate the replacement of supplies, keep the following guidelines in mind when setting up the printer.

- Sufficient space is required above and in the front of the printer for removing supplies.
- The printer should be located on a flat, sturdy surface.

For instructions on installing supplies, see the installation guides provided with each supply item or see more information at the following Web sites: .

- **HP Color LaserJet 3000 Series printer:** www.hp.com/support/clj3000
- **HP Color LaserJet 3600 Series printer:** www.hp.com/support/clj3600
- **HP Color LaserJet 3800 Series printer:** www.hp.com/support/clj3800



CAUTION Hewlett-Packard recommends the use of HP products in this printer. Use of non-HP products may cause problems requiring service that is not covered by the HP warranty or service agreements.

Changing print cartridges

When a print cartridge approaches the end of useful life, the control panel displays a message recommending that you order a replacement. The printer can continue to print using the current print cartridge until the control panel displays a message instructing you to replace the cartridge.

The printer uses four colors and has a different print cartridge for each color: black (K), cyan (C), magenta (M), and yellow (Y).

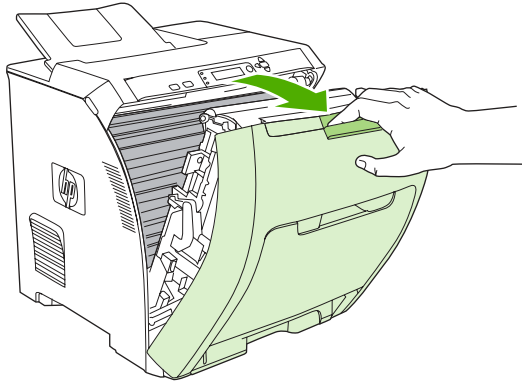
Replace a print cartridge when the printer control panel displays a **REPLACE <COLOR> CARTRIDGE** message.



NOTE If all of the print cartridges wear out at the same time and you are printing mostly monochrome (black and white), you should change the print mode to **MOSTLY BLACK PAGES**. See [System Setup sub-menu](#) for more information.

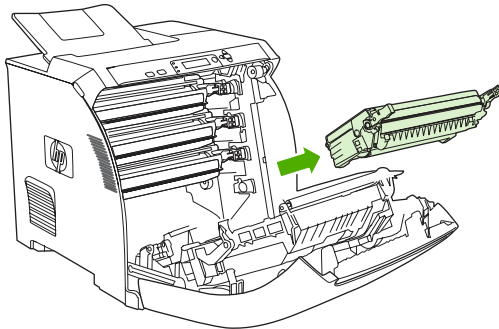
To change the print cartridge

1. Open the front door.

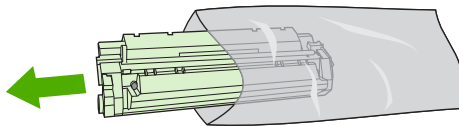


CAUTION Do not place anything on the transfer unit and do not touch the transfer unit, which is located on the inside of the front door.


2. Remove the used print cartridge from the printer.

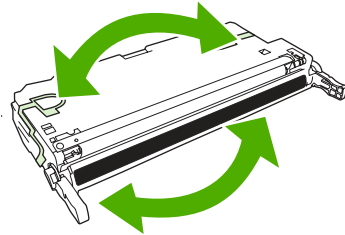


3. Remove the new print cartridge from the bag. Place the used print cartridge in the bag for recycling.

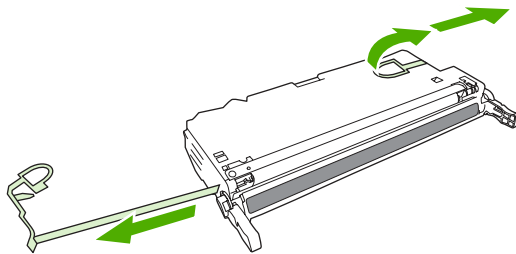


4. Grasp both sides of the print cartridge and distribute the toner by gently rocking the print cartridge from side to side.

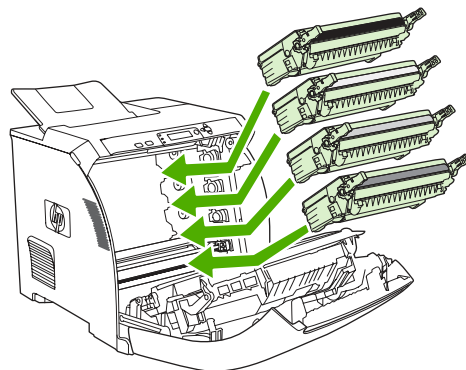
 **CAUTION** Do not touch the shutter or the surface of the roller.



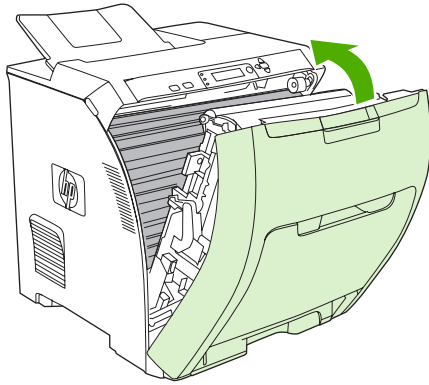
5. Remove the orange shipping locks and the shipping tape attached to the left shipping lock from the new print cartridge. Discard the shipping tape and shipping locks according to local regulations.



6. Align the print cartridge with the tracks inside the printer, and using the handles, insert the print cartridge until it is firmly seated.



7. Firmly close the front door.



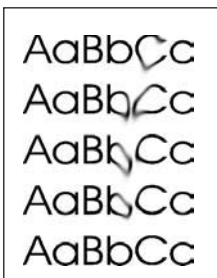
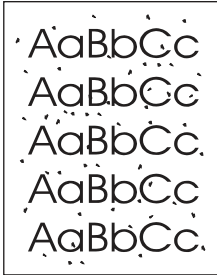
After a short time, the control panel should display **Ready**.

8. Installation is complete. Place the used print cartridge in the box in which the new cartridge arrived. See the enclosed recycling guide for recycling instructions.
9. If you are using a non-HP print cartridge, check the printer control panel for further instructions.

For additional help, see the Web sites listed in [Supply replacement guidelines](#).

Cleaning the printer

During the printing process, paper, toner, and dust particles can accumulate inside the printer. Over time, this buildup can cause print-quality problems, such as toner specks or smearing. This printer has a cleaning mode that can correct and prevent these types of problems.



To clean the printer using the printer control panel

1. Press **Menu**.
2. Press **▼** to highlight **CONFIGURE DEVICE**, and then press **✓**.
3. Press **▼** to highlight **PRINT QUALITY**, and then press **✓**.



NOTE If your printer has an automatic duplexer (HP Color LaserJet 3000dn, 3000dtn, 3600dn, 3800dn, and 3800dtn printers), go to step 7.

4. Press **▼** to highlight **CREATE CLEANING PAGE**, and then press **✓**.
5. Remove all paper from tray 1.
6. Remove the cleaning page and load it face-down in tray 1.



NOTE If you are not still in the menus, navigate to **PRINT QUALITY** using the above instructions.

7. At the printer control panel, press **▼** to highlight **PROCESS CLEANING PAGE**, and then press **✓**.

8 Problem solving

This chapter describes what to do if problems arise with your printer.

- [Basic troubleshooting checklist](#)
- [Control-panel message types](#)
- [Control-panel messages](#)
- [Jams](#)
- [Common causes of jams](#)
- [Clearing jams](#)
- [Paper-handling problems](#)
- [Troubleshooting-information pages](#)
- [Printer response problems](#)
- [Printer control-panel problems](#)
- [Color-printing problems](#)
- [Incorrect printer output](#)
- [Macintosh problems](#)
- [Software program problems](#)
- [Print-quality troubleshooting](#)

Basic troubleshooting checklist

If you are experiencing problems with the printer, use the following checklist to identify the cause of the problem:

- Is the printer connected to power?
- Is the printer on?
- Is the printer in the **Ready** state?
- Are all necessary cables connected?
- Do any messages appear on the control panel?
- Are genuine HP supplies installed?
- Were recently replaced print cartridges installed correctly, and was the pull tab on the cartridge removed?

For additional information about installation and setup, see the printer getting started guide.

If you cannot find solutions to printer problems in this guide, go to the appropriate Web site:

- HP Color LaserJet 3000 Series printer: www.hp.com/support/clj3000
- HP Color LaserJet 3600 Series printer: www.hp.com/support/clj3600
- HP Color LaserJet 3800 Series printer: www.hp.com/support/clj3800

Factors that affect printer performance

Several factors affect the time it takes to print a job:


- Maximum printer speed, measured in pages per minute (ppm)
- The use of special paper (such as transparencies, heavy paper, and custom-size paper)
- Printer processing and download time
- The complexity and size of graphics
- The speed of the computer you are using
- The USB connection
- The printer I/O configuration
- The amount of printer memory installed
- The network operating system and configuration (if applicable)
- Printer personality (HP JetReady, PCL, or PS)



NOTE Although additional printer memory can resolve memory problems, improve how the printer handles complex graphics, and improve download times, it will not increase maximum printer speed (ppm).


Control-panel message types




Four types of control-panel messages can indicate the status of or problems with the printer.





Message type	Description
Status messages	Status messages reflect the current state of the printer. They inform you of normal printer operation and require no interaction to clear them. They change as the state of the printer changes. Whenever the printer is ready, not busy, and has no pending warning messages, the status message Ready appears if the printer is online.
Warning messages	Warning messages inform you of data and print errors. These messages typically alternate with the Ready or status messages and remain until the ✓ button is pressed. Some warning messages are clearable. If CLEARABLE WARNINGS is set to JOB on the printer CONFIGURE DEVICE menu, the next print job clears these messages.
Error messages	<p>Error messages communicate that some action must be performed, such as adding paper or clearing a jam.</p> <p>Some error messages are auto-continuable. If AUTO CONTINUE=ON is set on the menus, the printer will continue normal operation after an auto-continuable error message appears for 10 seconds.</p> <p> NOTE Pressing any button during the 10-second auto-continuable error message overrides the auto-continue feature, and the button function takes precedence. For example, pressing the Stop button pauses printing and offers the option to cancel the print job.</p>
Critical-error messages	Critical error messages inform you of a device failure. Some of these messages can be cleared by turning the printer off and then on. These messages are not affected by the AUTO CONTINUE setting. If a critical error persists, service is required.

The following table lists and describes control-panel messages.

Control-panel messages


Control panel message	Description	Recommended action
<p>10.32.YY UNAUTHORIZED SUPPLY</p> <p>Unauthorized supply in use</p> <p>alternates with</p> <p>For help press ?</p>	<p>A new, non-HP supply has been installed. This message appears until an HP supply is installed or you press ✓.</p>	<p>If you believe you purchased an HP supply, please go to www.hp.com/go/anticounterfeit.</p> <p>Service or repairs required as a result of using non-HP supplies are not covered under HP warranty.</p> <p>To continue printing, press ✓. The first pending print job will be cancelled.</p>
<p>10.94.YY REMOVE SHIPPING LOCKS FROM ALL CARTRIDGES</p>	<p>At least one print cartridge still has a shipping lock attached.</p>	<ol style="list-style-type: none"> 1. Remove all the print cartridges and check for orange shipping locks on each end of each cartridge. Remove any shipping locks that remain. 2. Reinstall the print cartridges.
<p>10.XX.YY SUPPLY MEMORY ERROR</p> <p>For help press ?</p>	<p>The printer cannot read or write to at least one print cartridge memory tag, or at least one memory tag is missing.</p>	<ol style="list-style-type: none"> 1. Open the front door. 2. Remove the print cartridges, and then reinstall them. 3. Close the front door. 4. Turn the printer off and then on. 5. If the error persists, contact HP Support.
<p>11.XX INTERNAL CLOCK ERROR</p> <p>alternates with</p> <p>To continue press ✓</p>	<p>The printer's internal clock is not working correctly. Printing can continue, but you are prompted to set the date and time each time you turn the printer on.</p>	<p>Contact HP support.</p>
<p>13.XX.YY DUPLEX JAM INSIDE FRONT DOOR</p> <p>alternates with</p> <p>For help press ?</p>	<p>A jam has occurred inside the front door.</p>	<p>Open the front door and clear the jam.</p> <p>See Clearing jams.</p> <p>If the message persists after clearing all pages and exiting Help, contact HP Support.</p>
<p>13.XX.YY DUPLEX PATH JAM FRONT DOOR</p> <p>alternates with</p> <p>For help press ?</p>	<p>A jam has occurred in the duplex output area inside the front door.</p>	<p>Open the front door and clear the jam.</p> <p>See Clearing jams.</p> <p>If the message persists after clearing all pages and exiting Help, contact HP Support.</p>
<p>13.XX.YY FUSER JAM INSIDE TOP COVER</p> <p>alternates with</p> <p>For help press ?</p>	<p>A jam has occurred in the fuser.</p>	<p>Open the top cover and clear the jam.</p> <div style="border: 1px solid black; padding: 5px; margin: 10px 0;">  CAUTION The fuser is hot. Wait 10 minutes for it to cool. </div> <p>See Clearing jams.</p> <p>If the message persists after clearing all pages and exiting Help, contact HP Support.</p>
<p>13.XX.YY JAM IN TRAY 1</p>	<p>A page is jammed in the multipurpose tray.</p>	<p>Clear the jam, and then press ✓.</p> <p>See Clearing jams.</p>

Control panel message	Description	Recommended action
alternates with Clear jam then press ✓		If the message persists after clearing all pages, contact HP Support.
13.XX.YY JAM IN TRAY 2	A page is jammed in tray 2.	Remove tray 2, clear the jam, and then reinstall tray 2. See Clearing jams . If the message persists after clearing all pages, contact HP Support.
alternates with Clear jam then press ✓	A page is jammed in tray 1 or tray 3.	Clear the jam, and then press ✓. or See Clearing jams . If the message persists after clearing all pages and exiting Help, contact HP Support.
alternates with For help press ?	A jam has occurred inside the front door.	Press ? for help. or See Clearing jams . If the message persists after clearing all pages and exiting Help, contact HP Support.
alternates with For help press ?	A page is jammed underneath the front cover.	Open the front door and remove any jammed media.
alternates with For help press ? To continue press ✓	The printer has received more data from the computer than fits in available memory.	<ol style="list-style-type: none"> Press ✓ to continue printing. <p> NOTE Data will be lost.</p> <ol style="list-style-type: none"> Reduce the complexity of the print job to avoid this error. Adding memory to the printer may allow printing of more complex pages.
alternates with To continue press ✓	For the HP Color LaserJet 3000 and 3800 Series printers only with an EIO device. The printer EIO card in slot X has overflowed its I/O buffer during a busy state.	<ol style="list-style-type: none"> Press ✓ to continue printing. <p> NOTE Data will be lost.</p> <ol style="list-style-type: none"> If the message persists, contact HP Support.
	HP Color LaserJet 3600 and 3800 Series printers only. The embedded HP Jetdirect print server buffer has overflowed during a busy state.	<ol style="list-style-type: none"> Press ✓ to continue printing. <p> NOTE A loss of data will occur.</p> <ol style="list-style-type: none"> If the message persists, contact HP Support.

Control panel message	Description	Recommended action
22 PARALLEL I/O BUFFER OVERFLOW alternates with To continue press ✓	For the HP Color LaserJet 3000 and 3800 Series printers only. The printer parallel buffer has overflowed during a busy state.	1. Press ✓ to continue printing.  NOTE Data will be lost. 2. If the message persists after exiting Help, contact HP Support.
22 SERIAL I/O BUFFER OVERFLOW alternates with To continue press ✓	For the HP Color LaserJet 3000 and 3800 Series printers only with an EIO device. The printer serial buffer has overflowed during a busy state.	1. Press ✓ to continue printing.  NOTE Data will be lost. 2. If the message persists, contact HP Support.
22 USB I/O BUFFER OVERFLOW alternates with To continue press ✓	The printer's USB buffer has overflowed during a busy state.	1. Press ✓ to continue printing.  NOTE Data will be lost. 2. If the message persists, contact HP Support.
40 BAD SERIAL TRANSMISSION alternates with To continue press ✓	For the HP Color LaserJet 3000 and 3800 Series printers only. A serial data error (parity, framing, or line overrun) has occurred while the printer was receiving data.	1. Press ✓ to continue printing.  NOTE Data will be lost. 2. If the message persists, contact HP Support.
40 EIO X BAD TRANSMISSION alternates with To continue press ✓	For the HP Color LaserJet 3000 and 3800 Series printers only with an EIO device. A connection with the card in the EIO slot has broken.	1. Press ✓ to continue printing.  NOTE Data will be lost. 2. If the message persists, contact HP Support.
40 EMBEDDED I/O BAD TRANSMISSION alternates with To continue press ✓	The connection with the HP Jetdirect embedded print server has broken.	Press ✓ to continue printing.
41.3 UNEXPECTED SIZE IN TRAY X alternates with LOAD TRAY X <TYPE> <SIZE>	Media is loaded that is longer or shorter in the feed direction than the size configured for the tray.	1. Press ✓ to print from a different tray. 2. To print from the current tray, load the tray with the size and type indicated. Ensure that all trays are configured correctly before printing again. See Configuring trays for more information.
41.5 UNEXPECTED TYPE IN TRAY X alternates with LOAD TRAY X <TYPE> <SIZE>	The printer senses a different media type than what is configured in the tray.	1. Press ✓ to print from a different tray. 2. To print from the current tray, load the tray with the size and type indicated.

Control panel message	Description	Recommended action
		Ensure that all trays are configured correctly before printing again. See Configuring trays for more information.
41.X ERROR alternates with To continue press ✓	A printer error has occurred.	<ol style="list-style-type: none"> 1. Press ✓ to continue or press ? for more information. 2. If the message persists after exiting help, turn the printer off and then on. 3. If the message persists, contact HP Support.
49.XXXXX ERROR alternates with To continue turn off then on	A critical firmware error has occurred.	<ol style="list-style-type: none"> 1. Turn the printer off and then on. 2. If the message persists, contact HP Support.
50.X FUSER ERROR For help press ?	A fuser error has occurred.	<ol style="list-style-type: none"> 1. Turn the printer off. 2. Verify the fuser is installed correctly and fully seated. 3. Turn on the printer. 4. If the message persists, contact HP Support.
51.XY ERROR alternates with To continue turn off then on	A printer error has occurred.	<ol style="list-style-type: none"> 1. Press ✓ to continue. 2. If the message persists, turn the printer off and then on. 3. If the message persists, contact HP Support.
52.XY ERROR alternates with To continue turn off then on	A printer error has occurred.	<ol style="list-style-type: none"> 1. Press ✓ to continue. 2. If the message persists, turn the printer off and then on. 3. If the message persists, contact HP Support.
53.10.01 ERROR UNSUPPORTED RAM	The memory DIMM is not a supported DIMM.	Install a supported DIMM. See Working with memory .
54.XX ERROR	A printer command error has occurred.	<ol style="list-style-type: none"> 1. Turn the printer off and then on. 2. If the message persists, contact HP support.
57.XX PRINTER ERROR alternates with To continue turn off then on	A printer fan error has occurred.	<ol style="list-style-type: none"> 1. Turn the printer off and then on. 2. If the message persists, contact HP Support.
59.XY ERROR alternates with To continue turn off then on	A printer motor error has occurred.	<ol style="list-style-type: none"> 1. Turn the printer off and then on. 2. If the message persists, contact HP Support.



Control panel message	Description	Recommended action
		 NOTE This message might also appear if the transfer unit is missing or incorrectly installed. Ensure that the transfer unit is correctly installed.
62 NO SYSTEM	No system was found.	<ol style="list-style-type: none"> 1. Turn the printer off and then on. 2. If the message persists, contact HP Support.
64 ERROR For help press ? alternates with To continue turn off then on	For the HP Color LaserJet 3600 Series printers only. A scan buffer error has occurred.	<ol style="list-style-type: none"> 1. Turn the printer off and then on. 2. If the message persists, contact HP Support.
68.X PERMANENT STORAGE FULL alternates with To continue press ✓	A non-volatile storage device is full. Press ✓ to clear the message. Printing can continue, but unexpected behavior could result. X Description 1 Removable disk (flash or hard) 0 Onboard NVRAM	<ol style="list-style-type: none"> 1. Press ✓ to continue. 2. For 68.0 errors, turn the printer off and then on. 3. If a 68.0 error persists, contact HP Support. 4. For 68.1 errors, use the HP Web Jetadmin software to delete files from the disk drive. 5. For 68.1 errors that persist, contact HP Support.
68.X PERMANENT STORAGE WRITE FAIL alternates with To continue press ✓	A non-volatile storage device is full. Press ✓ to clear the message. Printing can continue, but unexpected behavior could result. X Description 0 Onboard NVRAM 1 Removable disk	<ol style="list-style-type: none"> 1. Press ✓ to continue. 2. If the problem persists, contact HP Support.
68.X STORAGE ERROR SETTINGS CHANGED alternates with To continue press ✓	One or more printer settings that were saved in the non-volatile storage device are invalid and have been reset to the factory default. Press ✓ to clear the message. Printing can continue, but unexpected behavior could result.	<ol style="list-style-type: none"> 1. Press ✓ to continue. 2. Turn the printer off and then on. 3. If the message persists, contact HP Support.
79.XXXX ERROR alternates with To continue turn off then on	For the HP Color LaserJet 3000 and 3800 Series printers only. A critical hardware error has occurred.	<ol style="list-style-type: none"> 1. Turn the printer off and then on. 2. If the problem persists, contact HP Support.
8X.YYYY EIO ERROR	For the HP Color LaserJet 3000 and 3800 Series printers only. The EIO accessory card has encountered a critical error.	<ol style="list-style-type: none"> 1. Turn the printer off and then on. 2. If the problem persists, contact HP Support.

Control panel message	Description	Recommended action
8X.YYYY EMBEDDED JETDIRECT ERROR	The HP Jetdirect embedded print server has encountered a critical error.	<ol style="list-style-type: none"> 1. Turn the printer off and then on. 2. If the problem persists, contact HP Support.
<p><Date> <Time></p> <p>To change press ✓</p> <p>To skip, press STOP</p>	The printer has an internal clock that tracks the date and time. You are prompted to set the correct date and time the first time you turn on the printer.	<p>Press ✓ to change the date and time.</p> <p>Press Stop to skip this step. You can set the date and time later by using the SYSTEM SETUP menu.</p> <p>If the prompt appears each time you turn on the printer, the clock is not working correctly. Contact HP support.</p>
Access Denied MENUS LOCKED	The printer administrator has enabled the control-panel security mechanism. You cannot modify control-panel settings in this circumstance. The message disappears after a few seconds, and the printer returns to Ready or BUSY state.	Contact the printer administrator to change settings.
<p>ACTION NOT CURRENTLY AVAILABLE ON TRAY X</p> <p>alternates with</p> <p>Tray size cannot be ANY SIZE/ANY CUSTOM</p>	You are trying to set duplex registration for a tray that is configured for ANY SIZE or ANY CUSTOM . Duplex registration is not available when the tray size is set to either of these settings.	Change the size setting for the tray.
<p>BAD DUPLEXER CONNECTION</p> <p>alternates with</p> <p>To continue turn off then on</p>	The duplexer is not installed correctly.	Turn the printer off and then on to continue.
Calibrating...	The printer is calibrating.	No action necessary.
Canceling... <JOB NAME>	The printer is in the process of canceling a job. The message appears while the job is stopped, the paper path is flushed, and any remaining incoming data on the active data channel is received and discarded.	No action necessary.
Checking paper path	The engine is turning the rollers to check for possible jams.	No action necessary.
Checking printer	The engine is performing an internal test.	No action necessary.
<p>CHOSEN PERSONALITY NOT AVAILABLE</p> <p>alternates with</p> <p>To continue press ✓</p>	The printer encountered a request for a personality that did not exist in the printer. The job is cancelled and no pages are printed.	<ol style="list-style-type: none"> 1. Press ✓ to continue. 2. Try a different driver. <p> NOTE For the HP Color LaserJet 3600 Series printers, you must use the driver that was specifically designed for these printers.</p>
<p>CLEANING DISK X% COMPLETE</p> <p>alternates with</p> <p>DO NOT POWER OFF</p>	The memory disk is being cleaned. This process might take up to an hour. During this time, no jobs can be printed.	<p>Do not turn off the printer. Wait for the process to complete.</p> <p>The printer automatically restarts at the end of the cleaning process.</p>

Control panel message	Description	Recommended action
Cleaning...	The printer is processing the cleaning page.	No action necessary.
Clearing event log	This message appears while the event log is cleared. The printer then returns to the SERVICE menu.	No action necessary.
Clearing paper path	The printer jammed or detected misplaced media. The printer is attempting to eject these pages automatically.	No action necessary.
CLOSE TOP COVER AND FRONT DOOR	The top cover and front door need to be closed.	Close the top cover and front door.
CODE CRC ERROR	An error has occurred during a firmware upgrade.	<ol style="list-style-type: none"> 1. Reinstall the firmware. 2. If the problem persists, contact HP Support.
COLOR RFU FAILED	An error has occurred during a firmware upgrade.	<ol style="list-style-type: none"> 1. Reinstall the firmware. 2. If the problem persists, contact HP Support.
Creating...CLEANING PAGE	The printer is generating a cleaning page. The printer returns to the Ready state after the cleaning page is printed.	<ol style="list-style-type: none"> 1. Load the cleaning page into tray 1. 2. Press Menu. 3. Select PRINT QUALITY, and then press ✓. 4. Select PROCESS CLEANING PAGE, and then press ✓.
DATA RECEIVED alternates with	The printer received data and is waiting for a form feed. When the printer receives another file, the message disappears.	If the printer is waiting for a form feed, press ✓ to continue.
Ready	The printer is paused.	If the printer is paused, press Stop to continue.
Event Log Empty	SHOW EVENT LOG was selected from the control panel, and the event log is empty.	No action necessary.
Genuine HP supplies installed	A new HP cartridge has been installed. The printer returns to the Ready state after approximately 10 seconds.	No action necessary.
GENUINE HP SUPPLIES DESIGNED FOR <PROD> alternates with	This genuine HP supply was not designed for this printer and is not supported. The printer can print with this supply, but print quality might be affected.	Replace this supply with a genuine HP supply that is designed for this printer.
Ready		
Incorrect	The PIN number is incorrect.	Contact the network administrator.
INCORRECT <COLOR> CARTRIDGE alternates with	A color cartridge is installed in an incorrect slot.	Press ? for help.
For help press ?		or See Changing print cartridges for more information.
INCORRECT SUPPLIES For status press ✓	Two or more print cartridges are installed in an incorrect slot.	Press ✓ and then press ? for help. or

Control panel message	Description	Recommended action
		See Replacing supplies and parts for more information.
INFLATE FAILURE	An error has occurred during a firmware upgrade.	<ol style="list-style-type: none"> 1. Reinstall the firmware. 2. If the problem persists, contact HP Support.
Initializing	This message appears when the printer is turned on and begins initialization.	No action necessary.
Initializing permanent storage	This message appears when the printer is turned on to show that permanent storage is being initialized.	No action necessary.
INSERT OR CLOSE TRAY XX	A tray is open and the printer is trying to print from another tray.	Close the tray indicated so that printing can continue.
INSTALL <COLOR> CARTRIDGE alternates with For help press ?	The cartridge is either not installed or not correctly installed in the printer.	Press ? for help. or See Changing print cartridges for more information.
INSTALL FUSER For help press ?	The fuser is either not installed or not correctly installed in the printer.	Press ? for help. or Contact HP Customer Support or your authorized HP service provider.
INSTALL SUPPLIES For status press ✓	Two or more cartridges are missing.	Install the missing cartridges. Press ✓ and then press ? for help. or See Supply replacement guidelines for more information.
INSUFFICIENT MEMORY TO LOAD FONTS/DATA	This message alternates with the name of the storage device. The storage device does not have enough memory to load the fonts or other data.	Press ✓ to continue printing without using the data. To solve the problem, increase the amount of memory for the device. Press ? for more information.
LOAD TRAY X <TYPE> <SIZE> alternates with For help press ?	Tray X is either empty or configured for a type and size other than that specified in the job. No other tray is available.	Press ? for help. or See Configuring trays for more information.
LOAD TRAY X <TYPE> <SIZE> alternates with To use another tray press ✓	Tray X is either empty or configured for a type and size other than that specified in the job.	Press ? for help. or Press ✓ to print from another tray. See Configuring trays for more information.
Loading program X alternates with	Programs and fonts can be stored on the printer file system and are loaded into RAM when the printer is turned on. The number X	No action necessary.

Control panel message	Description	Recommended action
DO NOT POWER OFF	specifies a sequence number indicating the current program being loaded. For the HP Color LaserJet 3000 and 3800 Series printers only.	
MANUALLY FEED <TYPE> <SIZE> alternates with For help press ?	Tray 1 is empty and no other tray is available.	Load media into tray 1, and press ✓ to continue. Press ? for help. or See Configuring trays for more information.
MANUALLY FEED <TYPE> <SIZE> alternates with To continue press ✓	Media is in tray 1, but the print job requires a specific type and size that is not currently available.	Press ✓ to print from the tray. or Press ? for help. or See Configuring trays for more information.
MANUALLY FEED <TYPE> <SIZE> alternates with To use another tray press ✓	No media is in tray 1, and a print job requires a specific type and size that is available in another tray.	Press ✓ to print from another tray. See Configuring trays for more information. or Press ? for help.
MANUALLY FEED OUTPUT STACK alternates with Then press ✓ to print second sides	The first side of a manual 2-sided print job has been printed and the printer is paused until for the output stack is reinserted.	Take the printed stack out of the output bin and reinsert it in tray 1 to print the second side of the 2-sided print job. Press ✓ to continue. See Manual 2-sided printing for more information.
MEM TEST FAILURE REPLACE DIMM 1	The memory DIMM has failed.	Install a supported memory DIMM. See Working with memory .
Moving solenoid alternates with To exit press STOP key	The printer is testing a solenoid.	No action necessary.
NON HP SUPPLY IN USE alternates with Ready	The printer has detected that a non-HP supply is currently installed but ✓ (override) was pressed.	If you believe you purchased an HP supply, go to www.hp.com/go/anticounterfeit . Service or repairs that are required as a result of using non-HP supplies are not covered under HP warranty.
NON HP SUPPLY INSTALLED alternates with For help press ?	A new, non-HP supply has been installed. This message appears until an HP supply is installed or you press ✓.	If you believe you purchased an HP supply, go to www.hp.com/go/anticounterfeit . Service or repairs that are required as a result of using non-HP supplies are not covered under HP warranty. To continue printing, press ✓.

Control panel message	Description	Recommended action
ORDER <COLOR> CARTRIDGE alternates with Ready	The identified print cartridge is nearing the end of its useful life. The printer is ready and will print for the estimated number of pages indicated.	Order the identified print cartridge. Printing will continue until REPLACE <COLOR> CARTRIDGE appears.  NOTE Estimated pages remaining is based upon historical page coverage with this supply. See Supplies and accessories for more information.  NOTE To prevent this message from appearing, in the SYSTEM SETUP menu, set ORDER AT to 0%.
ORDER SUPPLIES alternates with Ready	More than one supply item is low.	<ol style="list-style-type: none"> 1. Press ✓ to identify which supplies should be ordered. 2. Order the supplies. Printing can continue until REPLACE SUPPLIES appears. or Press ? for help. See Supplies and accessories for more information.
PAPER PATH JAM FRONT DOOR alternates with For help press ?	A page is jammed in the paper path.	Open the front door and remove any jammed media.
Paused alternates with To return to Ready press the STOP key	The printer has paused.	Press Stop to resume printing.
Performing upgrade	A firmware upgrade is in process.	No action necessary. Do not turn off the printer.
Performing... PAPER PATH TEST	The printer is performing a paper-path test.	No action necessary.
PRINTING STOPPED To continue press ✓	This message appears when a Print/Stop test runs and the time expires.	Press ✓ to continue printing.
Printing... CONFIGURATION	The printer is generating the configuration page. The printer will return to the Ready state when the page has printed.	No action necessary.
Printing... DEMO PAGE	The printer is generating the demo page. The printer will return to the Ready state when the page has printed.	No action necessary.
Printing... DIAGNOSTICS PAGE	The printer is generating the diagnostics page. The printer will return to the Ready state when the page has printed.	No action necessary.

Control panel message	Description	Recommended action
Printing... EVENT LOG	The printer is generating the event log page. The printer will return to the Ready state when the page has printed. For the HP Color LaserJet 3000 and 3800 Series printers only.	No action necessary.
Printing... FILE DIRECTORY	For the HP Color LaserJet 3000 and 3800 Series printers only. The printer is generating the mass storage directory page. The printer will return to the Ready state when the page has printed.	No action necessary.
Printing... FONT LIST	The printer is generating either the PCL or PS personality typeface list. The printer will return to the Ready state when the page has printed. For the HP Color LaserJet 3000 and 3800 Series printers only.	No action necessary.
Printing... MENU MAP	The printer is generating the printer menu map. The printer will return to the Ready state when the page has printed.	No action necessary.
Printing... PQ troubleshooting	The printer is generating the print quality troubleshooting pages. The printer will return to the Ready state when the pages are printed.	Follow the instructions on the printed pages.
Printing... REGISTRATION PAGE	The printer is generating the registration page. The printer will return to the SET REGISTRATION menu when the page has printed.	Follow the instructions on the printed pages.
Printing... RGB SAMPLES	The printer is generating the RGB samples page. The printer will return to the Ready state when the page has printed.	No action necessary.
Printing... SUPPLIES STATUS	The printer is generating the supplies status page. The printer will return to the Ready state when the page has printed.	No action necessary.
Printing... USAGE PAGE	For the HP Color LaserJet 3000 and 3800 Series printers only. The printer is generating the usage page. The printer will return to the online Ready state when the page has printed.	No action necessary.
PROCESSING DUPLEX JOB alternates with Do not grab paper until job completes	During duplex printing, the paper emerges for a short time before it is pulled back into the printer.	Do not pick up pages until they come to rest in the output bin.
Processing...	The printer is currently processing a job but is not yet picking pages. When the media begins to move, this message is replaced by a message that indicates which tray the job is being printed from.	No action necessary.
Processing... from tray<X>	The printer is actively processing a job from the designated tray.	No action necessary.

Control panel message	Description	Recommended action
RAM DISK DEVICE FAILURE alternates with Ready To clear press ✓	For the HP Color LaserJet 3000 and 3800 Series printers only. The RAM disk has failed.	<ol style="list-style-type: none"> Printing can continue for jobs that do not require the RAM disk. To remove this message from the display, press ✓.
RAM DISK FILE OPERATION FAILED alternates with Ready To clear press ✓	For the HP Color LaserJet 3000 and 3800 Series printers only. The printer received a PJL file system command that attempted to perform an illogical operation (for example, to download a file to a non-existent directory).	<ol style="list-style-type: none"> Printing can continue. To remove this message from the display, press ✓. If the message reappears, there might be a problem with the software program.
RAM DISK FILE SYSTEM IS FULL alternates with Ready To clear press ✓	For the HP Color LaserJet 3000 and 3800 Series printers only. The printer received a PJL file system command to store something on the file system, but the file system is full.	<ol style="list-style-type: none"> Use HP Web Jetadmin software to delete files from the RAM disk memory and try again. To remove this message from the display, press ✓. See HP Web Jetadmin for more information.
RAM DISK IS WRITE PROTECTED alternates with Ready To clear press ✓	For the HP Color LaserJet 3000 and 3800 Series printers only. The file system is protected and no new files can be written to it.	<ol style="list-style-type: none"> To enable writing to the RAM disk memory, use HP Web Jetadmin to turn off write protection. To remove this message from the display, press ✓. See HP Web Jetadmin for more information.
RAM DISK X Initializing alternates with DO NOT POWER OFF	For the HP Color LaserJet 3000 and 3800 Series printers only. The new RAM disk installed in slot X is initializing.	No action necessary.
Receiving upgrade	A firmware upgrade is in progress.	Do not turn the printer off until the printer returns to Ready .
REMOVE ALL PRINT CARTRIDGES alternates with To exit press STOP key	The printer is performing a component test.	Remove all print cartridges. After diagnostics are complete, reinstall all print cartridges.
REMOVE AT LEAST ONE PRINT CARTRIDGE alternates with To exit press STOP key	The printer is performing a disable cartridge check or component test.	Remove one print cartridge. After the test is complete, reinstall the print cartridge.
REPLACE <COLOR> CARTRIDGE alternates with For help press ?	The print cartridge has reached its end of life. Printing will not continue until the cartridge is replaced.	Press ? for help. See Changing print cartridges or Replacing supplies and parts for more information. See Supplies and accessories for more information.

Control panel message	Description	Recommended action
REPLACE <COLOR> CARTRIDGE alternates with To continue press ✓.	The print cartridge is nearing the end of its useful life and the REPLACE SUPPLIES setting in SYSTEM SETUP is set to STOP AT LOW . To override, press ✓.	<ol style="list-style-type: none"> 1. Order the print cartridge. 2. Press ✓ to continue. or Press ? for help. See Supplies and accessories for more information.
REPLACE SUPPLIES alternates with For status press ✓	At least two print cartridges are out and need to be replaced.	<ol style="list-style-type: none"> 1. Press ✓ to identify which supplies should be replaced. 2. Press ? for help. See Replacing supplies and parts for more information. See Supplies and accessories for more information.
REPLACE SUPPLIES alternates with To continue press ✓	More than one supply item is low, and the REPLACE SUPPLIES setting in SYSTEM SETUP is set to STOP AT LOW .	<ol style="list-style-type: none"> 1. Press Menu and navigate to the SUPPLIES STATUS menu in order to identify which supplies should be ordered. 2. Order the supplies. 3. Press ✓ to continue printing. See Supplies and accessories for more information.
REPLACE SUPPLIES Override in use alternates with Ready	At least one print cartridge is out, but printing is continuing. Print-quality problems might occur.	<ol style="list-style-type: none"> 1. Press ✓ to identify which supplies should be ordered. 2. Order the identified supplies. See Supplies and accessories for more information.
REPLACE SUPPLIES Using black only alternates with Ready	At least one color print cartridge is out. Printing can continue, but only the black cartridge is being used.	<ol style="list-style-type: none"> 1. Press ✓ to identify which supplies should be ordered. 2. Order the identified supplies. See Supplies and accessories for more information.
Request accepted please wait	The printer has accepted a request to print an internal page, but the current job must finish printing before the internal page will print.	No action necessary.
Resend upgrade	The firmware upgrade was not successful.	Attempt the upgrade again.
Restoring factory settings	The printer is restoring factory settings.	No action necessary.
Restoring...	The printer is restoring settings.	No action necessary.
RESTRICTED FROM PRINTING IN COLOR alternates with	This message appears only for the HP Color LaserJet 3000 and 3800 Series printers.	HP Color LaserJet 3000: Enable color printing on the SYSTEM SETUP menu. Set RESTRICT COLOR USE to ENABLE COLOR .

Control panel message	Description	Recommended action
Ready	HP Color LaserJet 3000: The printer is set to print in black only, but the job is in color. HP Color LaserJet 3800: The message appears when the printer is set to COLOR IF ALLOWED and you or your software program are not authorized to print in color.	HP Color LaserJet 3800: Get your network administrator to set the user or program permissions that will allow you to print in color.
RFU LOAD ERROR	An error has occurred during a firmware upgrade.	<ol style="list-style-type: none"> 1. Reinstall the firmware. 2. If the problem persists, contact HP Support.
Rotating <COLOR> motor alternates with To exit press STOP key	A component test is in progress; the component selected is <color> Cartridge motor .	Press Stop to stop this test.
Rotating motor alternates with To exit press STOP key	The printer is testing a motor.	Press Stop to stop this test.
SANITIZING DISK X% COMPLETE alternates with DO NOT POWER OFF	The memory disk is being sanitized. This process might take up to an hour. During this time, no jobs can be printed.	<p>Do not turn off the printer. Wait for the process to complete.</p> <p>The printer automatically restarts at the end of the sanitation process.</p>
Setting saved	A menu selection has been saved.	No action necessary.
SIZE MISMATCH IN TRAY XX alternates with Ready	The tray is loaded with a media size that is different than the size for which the tray is configured. Printing can continue from other trays, but not from this one.	<ol style="list-style-type: none"> 1. Make sure the media guides are adjusted correctly. 2. In the PAPER HANDLING menu, configure the tray for the correct size.
Sleep mode on	The printer is in the sleep mode. Any button press or the receipt of data clears sleep mode.	No action necessary. The printer automatically exits sleep mode.
STANDARD TOP BIN FULL alternates with Remove all paper from bin	The output bin is full. Printing cannot continue.	Empty the output bin. Printing resumes automatically.
Tray X <TYPE> <SIZE> alternates with To change size or type press ✓	The printer is reporting the current configuration of tray X.	<p>No action necessary.</p> <p>Press ↶ to clear the message.</p> <p>Press ✓ to change the type or size.</p> <p>See Configuring trays for more information.</p>
TRAY XX EMPTY <TYPE> <SIZE> alternates with Ready	The tray is empty, but the current print job does not require this tray.	Fill the tray. The message indicates the type and size of media for which the tray is currently configured.
TRAY XX OPEN	The tray is open, but printing can continue.	Close the tray.

Control panel message	Description	Recommended action
<p>For help press ?</p> <p>alternates with</p> <p>Ready</p>		
<p>TRAY XX OPEN OR EMPTY</p> <p>alternates with</p> <p>Ready</p>	<p>The tray is open or empty, but the current print job does not require this tray.</p>	<p>Close or fill the tray.</p>
<p>TYPE MISMATCH IN TRAY XX</p> <p>alternates with</p> <p>Ready</p>	<p>The tray is loaded with a media type that is different than the type for which the tray is configured. Printing can continue from other trays, but not from this one.</p>	<p>In the PAPER HANDLING menu, configure the tray for the correct type.</p>
<p>Unauthorized supply in use</p> <p>alternates with</p> <p>Ready</p>	<p>The printer has detected that a non-HP supply is currently installed and ✓ (override) was pressed.</p>	<p>If you believe you purchased an HP supply, go to www.hp.com/go/anticounterfeit.</p> <p>Service or repairs required as a result of using non-HP supplies are not covered under HP warranty.</p>
<p>USB ACCESSORY ERROR</p>	<p>HP Color LaserJet 3000 and 3800 Series printers only.</p> <p>The printer has detected too much current on the USB storage accessory.</p>	<ol style="list-style-type: none"> 1. Turn the printer off. 2. Remove the USB storage accessory. 3. Replace the USB storage accessory. 4. Turn the printer on.
<p>USB Storage <X> initializing</p>	<p>HP Color LaserJet 3000 and 3800 Series printers only.</p> <p>The USB storage device is initializing.</p>	<p>No action necessary.</p>
<p>USB Storage <X> not functional</p>	<p>HP Color LaserJet 3000 and 3800 Series printers only.</p> <p>The USB storage device is not working.</p>	<p>Replace the USB storage device.</p>
<p>USB STORAGE DEVICE FAILURE</p> <p>alternates with</p> <p>Ready</p> <p>To clear press ✓</p>	<p>For the HP Color LaserJet 3000 and 3800 Series printers only.</p> <p>The USB storage device has failed.</p>	<ol style="list-style-type: none"> 1. Printing can continue for jobs that do not require the storage device. 2. To remove this message from the display, press ✓. 3. If the message persists, turn the printer off, remove and re-install the storage device, and then turn the printer on. 4. If the message persists, replace the storage device.
<p>USB STORAGE FILE OPERATION FAILED</p> <p>alternates with</p> <p>Ready</p> <p>To clear press ✓</p>	<p>For the HP Color LaserJet 3000 and 3800 Series printers only.</p> <p>The printer received a PJL file system command that attempted to perform an illogical operation (for example, to download a file to a nonexistent directory).</p>	<ol style="list-style-type: none"> 1. Printing can continue. 2. To remove this message from the display, press ✓. 3. If the message reappears, a problem might exist in the software program.

Control panel message	Description	Recommended action
USB STORAGE FILE SYSTEM IS FULL alternates with Ready To clear press ✓	For the HP Color LaserJet 3000 and 3800 Series printers only. The printer received a PJL file system command that attempted to store something on the file system but was unsuccessful because the file system is full.	<ol style="list-style-type: none"> 1. Use HP Web Jetadmin software to delete files from the storage device, and then try again. 2. To remove this message from the display, press ✓. See HP Web Jetadmin for more information.
USB STORAGE IS WRITE PROTECTED alternates with Ready To clear press ✓	For the HP Color LaserJet 3000 and 3800 Series printers only. The file system is protected and no new files can be written to it.	<ol style="list-style-type: none"> 1. To enable writing to the storage device, use HP Web Jetadmin to turn off write protection. 2. To remove this message from the display, turn the printer off and then on. See HP Web Jetadmin for more information.
USB STORAGE X REMOVED	HP Color LaserJet 3000 and 3800 Series printers only. The USB storage accessory was removed while the printer was turned on.	<ol style="list-style-type: none"> 1. Turn the printer off. 2. To continue using the USB storage accessory, reinstall it. 3. Turn the printer on.
USE TRAY X <TYPE> <SIZE>	The printer is offering a selection of alternate media to use for the print job.	<ol style="list-style-type: none"> 1. Use ▲ and ▼ to highlight a different size or type, and then press ✓ to select the size or type. 2. Press ↶ to return to the previous size or type. See Configuring trays for more information.

Jams

Use this illustration to troubleshoot jams in the printer. For instructions to clear jams, see [Clearing jams](#).

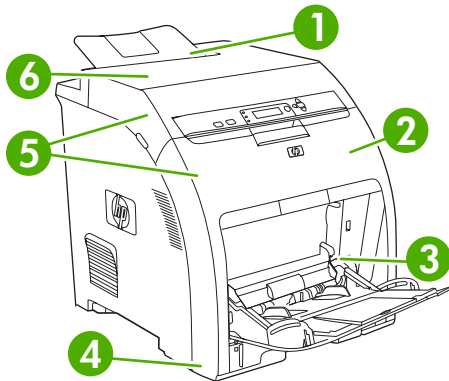


Figure 8-1 Jam locations (printer shown without optional tray 3)

1	Output bin
2	Paper path
3	Tray 1
4	Trays 2 or 3
5	Duplex path (for 2-sided printing)
6	Fuser

Jam recovery

This printer automatically provides jam recovery, a feature that you can use to set whether the printer should attempt to automatically reprint jammed pages.

- **AUTO** instructs the printer to attempt to reprint jammed pages.
- **OFF** instructs the printer not to attempt to reprint jammed pages.



NOTE During the recovery process, the printer might reprint pages that were printed before the jam occurred. Be sure to remove any duplicated pages.

To improve print speed and increase memory resources, you might want to disable the jam recovery.


To turn off jam recovery

1. Press **Menu**.
2. Press ▼ to highlight **CONFIGURE DEVICE**, and then press ✓.
3. Press ▼ to highlight **SYSTEM SETUP**, and then press ✓.
4. Press ▼ to highlight **JAM RECOVERY**, and then press ✓.

5. Press ▼ to highlight **OFF**, and then press ✓.
6. Press **Menu** to return to the **Ready** state.

Common causes of jams

Common causes of jams¹

Cause	Solution
The media does not meet specifications.	Use only media that meets HP specifications. See Supported media sizes .
A component is installed incorrectly.	Verify that all print cartridges, the transfer unit, and the fuser are correctly installed.
You are using media that has already passed through a printer or copier.	Do not use media that has been previously printed on or copied.
An input tray is loaded incorrectly.	Remove any excess media from the input tray. Make sure that the stack is below the maximum stack height mark in the tray. See Configuring trays .
The media is skewed.	The input-tray guides are not adjusted correctly. Adjust them so they hold the stack firmly in place without bending it.
The media is binding or sticking together.	Remove the media, flex it, rotate it 180 degrees, or flip it over. Reload the media into the input tray.
	 NOTE Do not fan paper. Fanning can create static electricity, which can cause paper to stick together.
The media is removed before it settles into the output bin.	Reset the printer. Wait until the page completely settles in the output bin before removing it.
During 2-sided printing, you removed the paper before the second side of the document was printed.	Reset the printer and print the document again. Wait until the page completely settles in the output bin before removing it.
The media is in poor condition.	Replace the media.
The internal rollers from tray 2 or tray 3 are not picking up the media.	Remove the top sheet of media. If the media is heavier than 163 g/m ² (43 lb), it might not be picked from the tray.
The media has rough or jagged edges.	Replace the media.
The media is perforated or embossed.	Perforated or embossed media does not separate easily. Feed single sheets from tray 1.
Printer supply items have reached the end of their useful life.	Check the printer control panel for messages prompting you to replace supplies, or print a supplies status page to verify the remaining life of the supplies. See Replacing supplies and parts .
Paper was not stored correctly.	Replace the paper in the trays. Paper should be stored in the original packaging in a controlled environment.

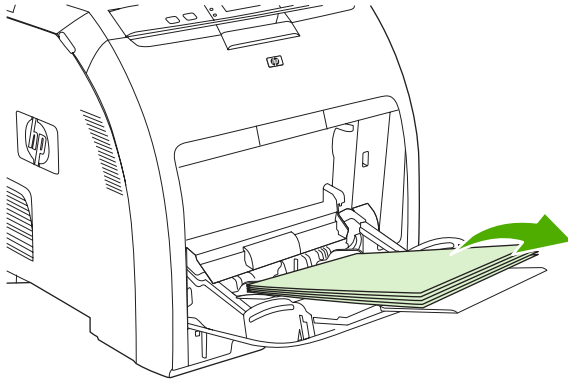
¹ If the printer still continues to jam, contact HP Customer Support or your authorized HP service provider.

Clearing jams

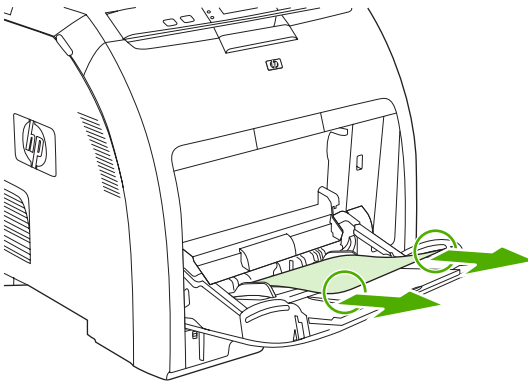
Procedures in the following sections correspond with a jam message that might appear on the control panel.

Jam in tray 1

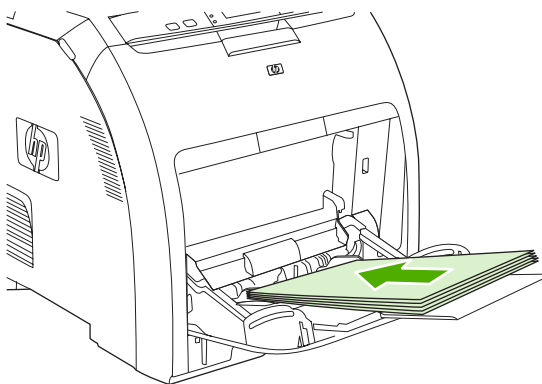
1. Remove the media from the tray.



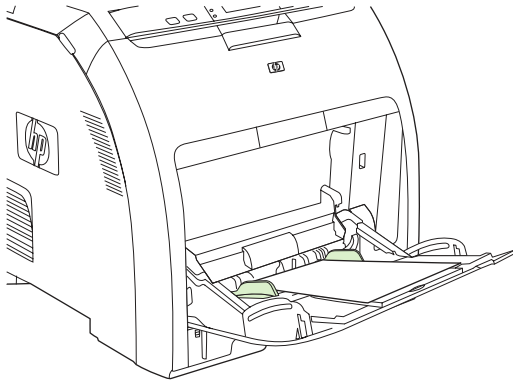
2. Grasp the jammed sheet by both corners and pull.



3. Place the media stack in tray 1.



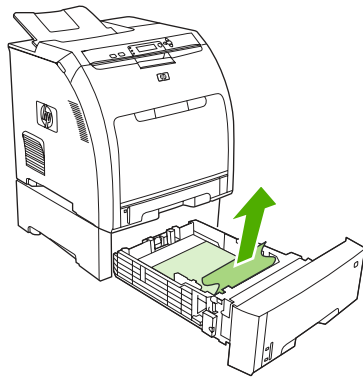
4. Confirm that the media guides are against the stack without bending it and that the stack does not extend above the fill tabs.



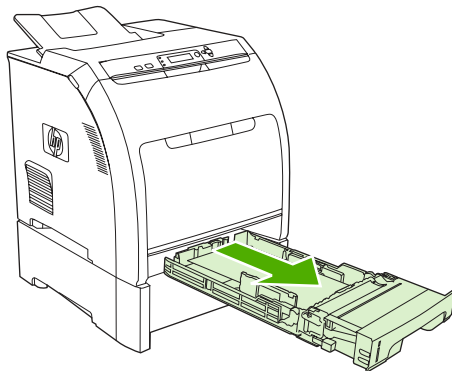
5. Press ✓ to resume printing.

Jam in tray 2 or tray 3

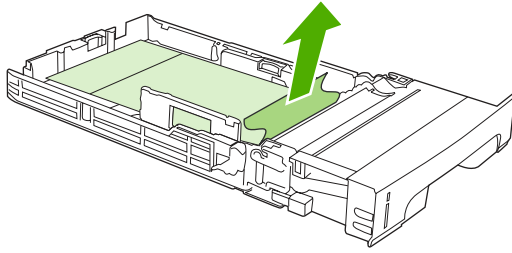
1. If the optional tray 3 is installed, pull it out and place it on a flat surface. If the jammed sheet is visible, remove it.



2. If the sheet is not visible, check inside the printer at the top of the tray opening. Remove any jammed media.
3. Pull out tray 2 and place it on a flat surface.



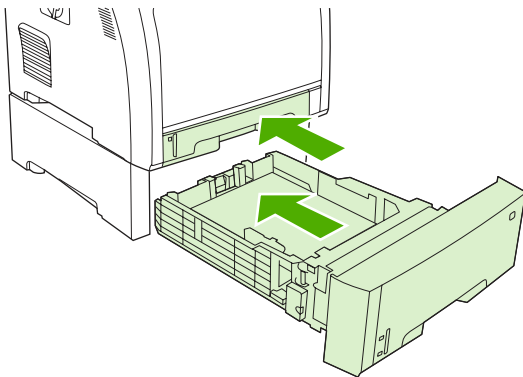
4. If the jammed sheet is visible, remove it.



5. If the sheet is not visible, check inside the printer at the top of the tray opening. Remove any jammed media.



6. Replace tray 2 and optional tray 3.



NOTE Use tray 1 when printing on heavier paper. See [Printing on special media](#) for more information.

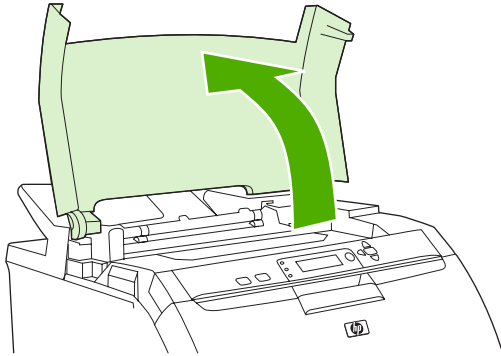
7. Press ✓ to resume printing.



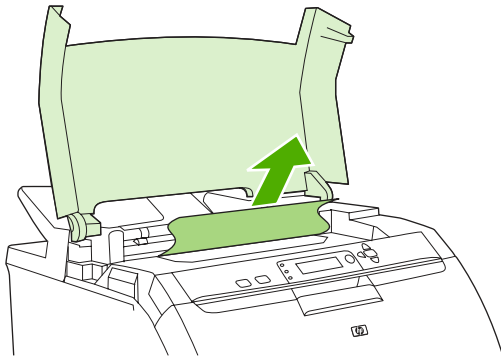
NOTE When printing from tray 2, printing resumes automatically.

Jam inside the fuser area (top cover)

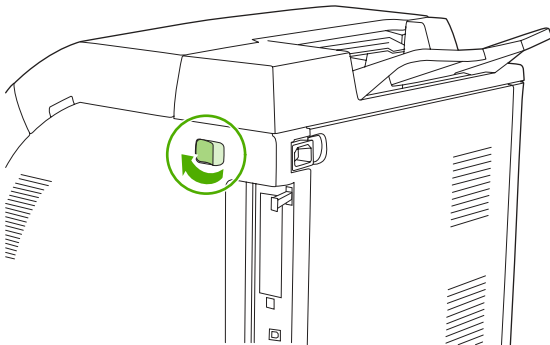
1. Open the top cover.



2. If the jammed sheet is visible, remove it and then close the top cover.

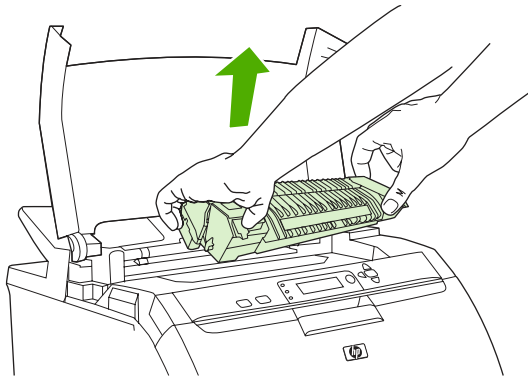


3. If the sheet is not visible, turn off the printer.



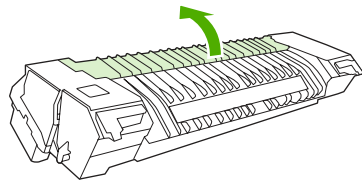
WARNING! The fuser will be hot. Wait 10 minutes before proceeding.

4. Place your thumbs on the fuser latches, squeeze the latches, and pull up on the fuser to remove it.




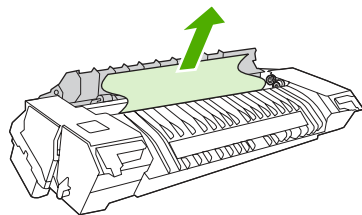
5. On the fuser, lift the shutter door.

 **CAUTION** Do not open the shutter door while the fuser is in the printer.

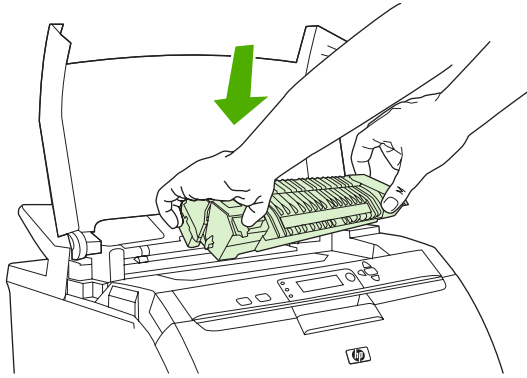


6. Remove any jammed sheets.

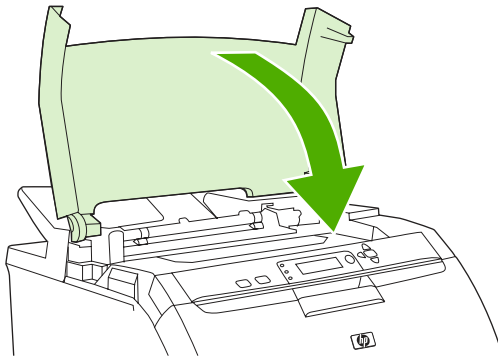
 **NOTE** If the sheet tears, make sure that all fragments are removed before you resume printing.



7. Hold the fuser with your thumbs on the latches, and then push both sides of the fuser into the printer. Press the fuser down until it clicks into place.

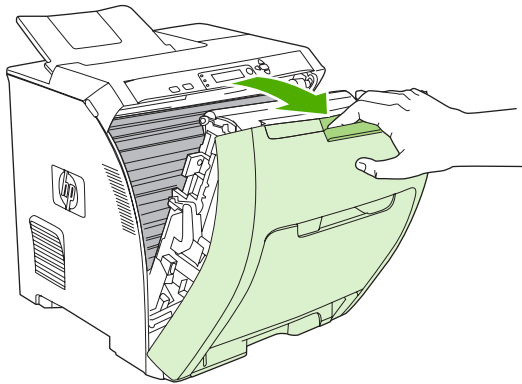


8. Close the top cover and then turn on the printer.



Jam inside the front door

1. Open the front door.

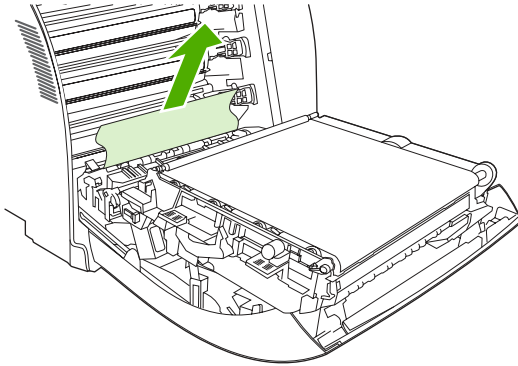


CAUTION Do not place anything on the transfer unit. Do not touch the top of the transfer unit or the contacts on the left side of it.

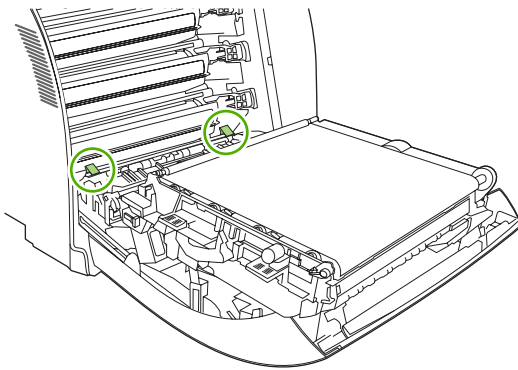


NOTE If the sheet tears, make sure that all fragments are removed before resuming printing.

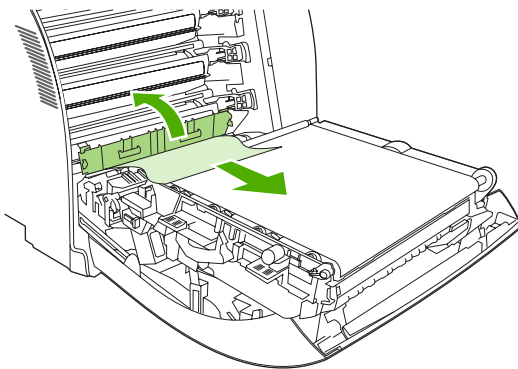
2. Remove any visible media.



3. Locate the green registration-plate tabs that are below the bottom print cartridge.

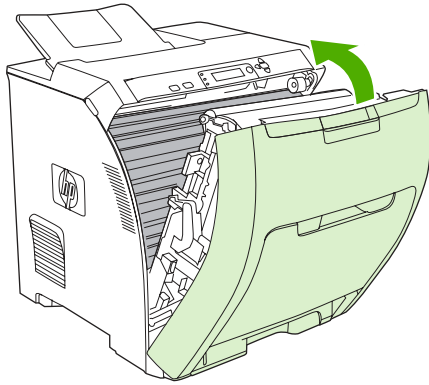


4. Press the tabs, and then lift the registration plate. Remove any jammed media, and then return the registration plate to its closed position.



NOTE If the sheet tears, make sure that all fragments are removed before resuming printing.

5. Close the front door.



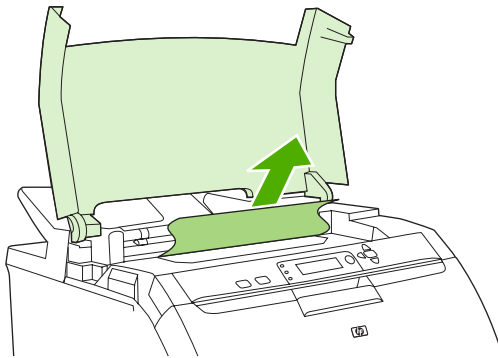
Jam in the duplex path



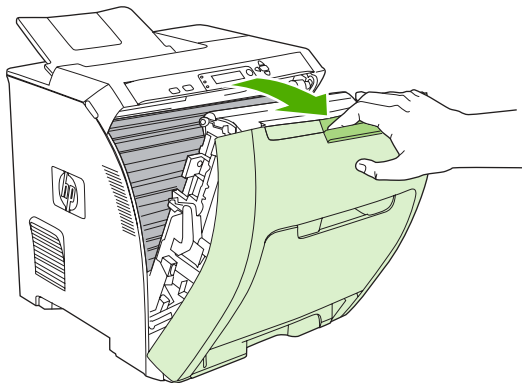
NOTE This issue occurs only in models that provide automatic 2-sided printing.

1. Turn off the printer, and open the top cover.

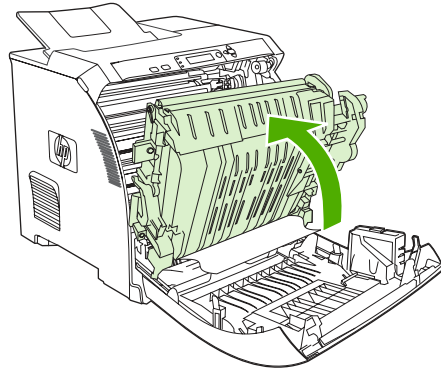
If any media is visible, remove it.



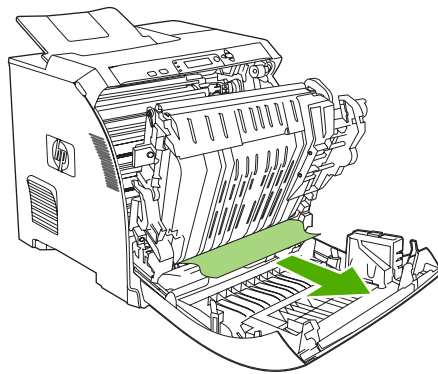
2. Open the front door.



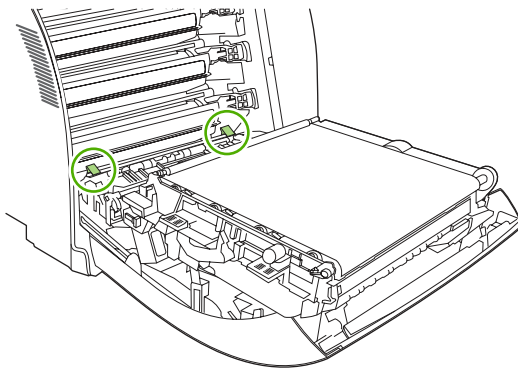
3. Rotate the transfer unit up and away from the front door.



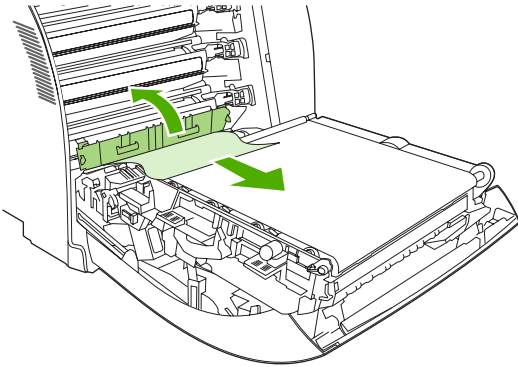
4. Remove any jammed sheets from under the transfer unit.



5. Locate the green registration-plate tabs that are below the bottom print cartridge.

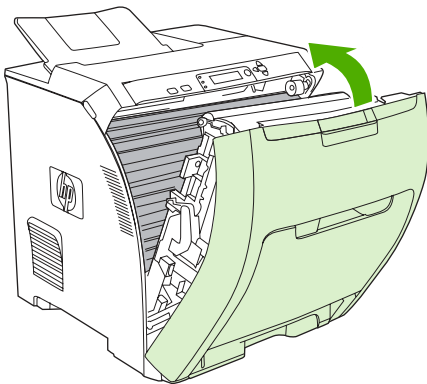


6. Press the tabs, and then lift the registration plate. Remove any jammed media, and then return the registration plate to its closed position.



NOTE If the sheet tears, make sure that all fragments are removed before resuming printing.

7. Close the front door and then turn on the printer.




Paper-handling problems

Use only media that meets the specifications outlined in the *HP LaserJet Printer Family Print Media Specification Guide*. For ordering information, see [Supplies and accessories](#).

For paper specifications for this printer, see [Supported media sizes](#).

Printer feeds multiple sheets

Cause	Solution
The tray is overfilled.	Remove excess media from the tray.
The paper exceeds the maximum stack-height indicator mark in the tray (trays 2 or 3).	Open the tray and verify that the media stack is below the maximum stack-height mark.
The paper is sticking together.	Remove the media, flex it, rotate it 180 degrees, or flip it over, and then reload it into the tray.
	 NOTE Do not fan paper. Fanning can create static electricity, which can cause paper to stick together.
The media does not meet the specifications for this printer.	Use only media that meets HP paper specifications for this printer. See Supported media sizes .
Paper is being used in a high-humidity environment.	Use another type of paper.

Printer feeds incorrect page size

Cause	Solution
The correct size paper is not loaded in the tray.	Load the correct size paper in the tray.
The correct size of media is not selected in the software program or printer driver.	Confirm that the settings in the program and printer driver are appropriate, because the program settings override the printer-driver and control-panel settings, and the printer-driver settings override the control-panel settings.
The correct size or media for tray 1 is not selected on the printer control panel.	At the control panel, select the correct size for tray 1.
The media size is not configured correctly for the tray.	Print a configuration page or use the control panel to determine the size for which the tray is configured.

Printer pulls from an incorrect tray

Cause	Solution
You are using a driver for a different printer.	Use a driver for this printer.
The specified tray is empty.	Load media in the specified tray.
The tray behavior for the requested tray is set to FIRST in the SYSTEM SETUP submenu of the CONFIGURE DEVICE menu.	Change the setting to EXCLUSIVELY .

Printer pulls from an incorrect tray

Cause	Solution
The media size is not configured correctly for the tray.	Print a configuration page or use the control panel to determine the size for which the tray is configured.
The USE REQUESTED TRAY setting on the printer control panel is set to EXCLUSIVELY , and the requested tray is empty. The printer will not use another tray.	Load media in the requested tray. or Change the setting from EXCLUSIVELY to FIRST on the CONFIGURE DEVICE menu. The printer can use the media in other trays if none is loaded in the specified tray.

Media does not feed automatically

Cause	Solution
Manual feed is selected in the software program.	Load tray 1, or, if the tray is loaded, press ✓.
The correct size of media is not loaded.	Load the correct size.
The tray is empty.	Load media into the tray.
Media from a previous jam has not been completely removed.	Open the printer and remove any media that is in the paper path. Closely inspect the fuser area for jams. See Jams .
The media size is not configured correctly for the tray.	Print a configuration page or use the control panel to determine the size for which the tray is configured.
The guides in the tray are not against the media stack.	Verify that the guides are touching the stack.
The manual-feed prompt is set to ALWAYS . The printer always prompts for manual feed, even if the tray is loaded.	Open the tray, reload the media, and then close the tray. Or, change the manual-feed prompt setting to UNLESS LOADED so that the printer prompts for manual feed only when the tray is empty.
The USE REQUESTED TRAY setting on the printer control panel is set to EXCLUSIVELY , and the requested tray is empty. The printer will not use another tray.	Load the requested tray. or Change the setting from EXCLUSIVELY to FIRST on the CONFIGURE DEVICE menu. The printer can use other trays if no media is loaded in the specified tray.

Media does not feed from trays 2 and 3

Cause	Solution
Manual feed or tray 1 is selected in the software program.	Load tray 1, or, if the tray is loaded, press ✓.
The correct size of media is not loaded.	Load the correct size.
The tray is empty.	Load the tray.
The correct media type for the tray is not selected on the printer control panel.	At the printer control panel, select the correct type for the tray.

Media does not feed from trays 2 and 3

Cause	Solution
Media from a previous jam has not been completely removed.	Open the printer and remove any media that is in the paper path. Closely inspect the fuser area for jams. See Jams .
Tray 3 (500-sheet paper feeder) does not appear as a tray option.	Tray 3 appears as an option only if it is installed. Verify that tray 3 is correctly installed and that the printer driver has been configured to recognize tray 3. See Gaining access to printer driver settings .
Tray 3 is incorrectly installed.	Print a configuration page to confirm that tray 3 is installed. If not, verify that the optional 500-sheet feeder assembly is correctly attached to the printer.
The media size is not configured correctly for the tray.	Print a configuration page or use the control panel to determine the size for which the tray is configured.
The guides in the tray are not against the media stack.	Verify that the guides are touching the stack.
The USE REQUESTED TRAY setting on the printer control panel is set to EXCLUSIVELY , and the requested tray is empty. The printer will not use another tray.	Change the setting from EXCLUSIVELY , or load the requested tray.

Transparencies or glossy paper will not feed

Cause	Solution
Transparencies that do not meet HP specifications might have been loaded.	Use transparencies designed for HP Color LaserJet printers.
The correct media type is not specified in the software or printer driver.	Verify that the correct type is selected in the software or printer driver.
The tray is overfilled.	Remove excess media from the tray. Make sure the stack is below the maximum stack height mark in tray 2 or 3. Do not exceed the maximum stack height for tray 1.
Media in another tray is the same size as the transparencies, and the printer is defaulting to the other tray.	Make sure that the tray that contains the transparencies or glossy paper is selected in the software program or printer driver. Use the printer control panel to configure the tray to the type that is loaded. See Configuring trays .
The tray that contains the transparencies or glossy paper is not configured correctly for type.	Make sure that the tray that contains the transparencies or glossy paper is selected in the software program or printer driver. Use the printer control panel to configure the tray to the type that is loaded. See Configuring trays .

Envelopes jam or will not feed into the printer

Cause	Solution
Envelopes are loaded in an unsupported tray. Only tray 1 can feed envelopes.	Load envelopes into tray 1.
Envelopes are curled or damaged.	Try using different envelopes. Store envelopes in a controlled environment. See Envelopes for more information.
Envelopes are sealing because the moisture content is too high.	Try using different envelopes. Store envelopes in a controlled environment.

Envelopes jam or will not feed into the printer

Cause	Solution
The envelope orientation is incorrect.	Verify that the envelope is loaded correctly. See Configuring trays .
This printer does not support the envelopes.	See Supported media sizes or the <i>HP LaserJet Printer Family Print Media Specification Guide</i> .
Tray 1 is configured for a size other than envelopes.	Configure tray 1 size for envelopes.

Output is curled or wrinkled

Cause	Solution
The media does not meet the specifications for this printer.	Use only media that meets the HP paper specifications for this printer. See Supported media sizes .
The media is damaged or in poor condition.	Remove the media from the tray and load media that is in good condition.
The printer is operating in an excessively humid environment.	Verify that the printing environment is within humidity specifications.
You are printing large, solid-filled areas.	Large, solid-filled areas can cause excessive curl. Try using a different pattern.
The media was not stored correctly and may have absorbed moisture.	Remove the media and replace it with media from a fresh, unopened package.
The media has poorly cut edges.	Remove the media, flex it, rotate it 180 degrees, or turn it over, and then reload it into the tray. Do not fan paper. If the problem persists, replace the paper.
The specific media type was not configured for the tray or selected in the software.	Configure the software for the media (see the software documentation). Configure the tray for the media. See Configuring trays .
The media was used previously.	Do not reuse media.

Printer will not perform duplexing (2-sided printing) or duplexes incorrectly

Cause	Solution
You are trying to perform 2-sided printing on unsupported paper.	Verify that the paper is supported for 2-sided printing. See Supported media sizes . If the paper is not supported, see Manual 2-sided printing .
The printer driver is not set up for 2-sided printing.	Configure the printer driver for 2-sided printing. See Gaining access to printer driver settings .
The first page is printing on the back of preprinted forms or letterhead.	For tray 1, load the letterhead paper first-side-down, bottom first. For tray 2 or tray 3, load the letterhead paper first-side-up, top edge toward the back of the tray. See Using 2-sided (duplex) printing for more information.

Printer will not perform duplexing (2-sided printing) or duplexes incorrectly

Cause	Solution
The printer model does not support automatic 2-sided printing.	The HP Color LaserJet 3000, 3000n, 3600, 3600n, 3800, and 3800n printers do not support automatic 2-sided printing. See Manual 2-sided printing .
The printer configuration is not set for duplexing.	Run the automatic configuration feature: <ol style="list-style-type: none">1. On the Windows taskbar, click Start, click Settings, and then click Printers.<ul style="list-style-type: none"><input type="checkbox"/> For Windows 2000 and Windows XP, click Start, and then click Printers.2. Select the printer.3. In the File menu, click Properties.4. Click the Device Settings tab or the Configure tab.5. Under Installable Options, click Automatic Configuration.6. Click Update Now.

Printing is only on one side even when 2-sided (duplex) is selected

Cause	Solution
Manual 2-sided printing is not enabled.	Configure the printer driver to enable manual 2-sided printing. See Gaining access to printer driver settings .
The paper size that is selected does not support 2-sided (duplex) printing.	Load and select a size and type of paper that supports automatic 2-sided printing.

Troubleshooting-information pages

From the printer control panel, you can print information pages that can help you diagnose printer problems.

Page	Description
Paper-path-test page	<p>The paper-path-test page is useful for testing the printer paper handling features. You can define the paper path that you want to test by selecting the source and other available options.</p> <ol style="list-style-type: none">1. Press Menu.2. Press ▼ to highlight DIAGNOSTICS, and then press ✓.3. Press ▼ to highlight PAPER PATH TEST, and then press ✓. <p>The message Performing... PAPER PATH TEST appears on the control-panel display until the printer finishes the paper-path test. The printer returns to the Ready state after printing the paper-path-test page.</p>
Registration page	<p>The registration page prints a horizontal arrow and a vertical arrow that show how far from center an image can be printed on the page. Set registration values for a tray to center images on the back and front of a page. Setting the registration also allows edge-to-edge printing to be set to within approximately 2 mm (0.08 inch) of all edges of the paper. Image placement varies slightly for each tray. Perform the registration procedure for each tray.</p> <ol style="list-style-type: none">1. Press Menu.2. Press ▼ to highlight CONFIGURE DEVICE, and then press ✓.3. Press ▼ to highlight PRINT QUALITY, and then press ✓.4. Press ▼ to highlight SET REGISTRATION, and then press ✓.5. Press ▼ to highlight SOURCE, and then press ✓.6. Press ▼ or ▲ to highlight a tray, and then press ✓.7. Press ▼ to highlight PRINT TEST PAGE, and then press ✓.8. Follow the instructions on the printed page.
Event log	<p>The event log lists the printer events, including jams, service errors, and other conditions.</p> <ol style="list-style-type: none">1. Press Menu.2. Press ▼ to highlight DIAGNOSTICS, and then press ✓.3. Press ▼ to highlight PRINT EVENT LOG, and then press ✓. <p>The message Printing... EVENT LOG appears on the control-panel display until the printer finishes printing the event log. The printer returns to the Ready state after printing the event log.</p>
Diagnostics page	<p>This page provides information about printer calibration, color density, and other parameters.</p> <ol style="list-style-type: none">1. Press Menu.2. Press ▼ to highlight DIAGNOSTICS, and then press ✓.3. Press ▼ to highlight PRINT DIAGNOSTICS PAGE, and then press ✓.
Print-quality troubleshooting page	See Print-quality-troubleshooting pages .

Page	Description
------	-------------

Printer response problems

The control-panel display is blank

Cause	Solution
The printer power button is in the off position.	Verify that the printer is on. Fans may run while the printer is in standby mode (off).
The printer memory DIMMs (available on the HP Color LaserJet 3000 and 3800 Series printers only) are defective or installed incorrectly.	Verify that the printer memory DIMMs are correctly installed and are not defective.
The power cord is not firmly plugged into both the printer and the power receptacle.	Turn off the printer and then disconnect and reconnect the power cord. Turn the printer on.
The line voltage is incorrect.	Connect the printer to a correct voltage source, as specified on the power rating label on the back of the printer.
The power cord is damaged or worn.	Replace the power cord.
The power source receptacle is not working correctly.	Connect the printer to a different power receptacle.
The formatter might not be installed correctly.	Remove the formatter assembly. To reinstall it, align the formatter board in the tracks at the top and bottom of the slot, and then slide the board back into the printer. Push the formatter until you hear the formatter latches click into place.

The control-panel display is difficult to read

Cause	Solution
The contrast is too high or too low for the office environment.	Adjust the contrast on the control-panel display. See Display Brightness feature .

The printer is on, but nothing prints

Cause	Solution
The printer Ready indicator light is not lit.	Press Stop to return the printer to the Ready state.
The top cover is not closed.	Close the top cover firmly.
The Data indicator light is flashing.	The printer is probably continuing to receive data. Wait for the Data indicator to stop flashing.
REPLACE <COLOR> CARTRIDGE appears on the control-panel display.	Replace the specified print cartridge.
A printer message other than Ready appears on the printer control panel.	See Control-panel messages .
The parallel port might have an MS-DOS timeout error.	Add a MODE command to the AUTOEXEC.BAT file. See the MS-DOS manual for additional information.
The PS (PostScript emulation) personality is not selected.	Select PS or AUTO for the printer language. See Changing printer control-panel configuration settings .

The printer is on, but nothing prints

Cause	Solution
The correct driver is not selected in the software program or printer driver (HP Color LaserJet 3000 and 3800 Series printers only).	Select the PS driver in the software program or printer driver.
The printer is not configured correctly.	See Changing printer control-panel configuration settings .
The computer port is not configured or is not working correctly.	Connect another peripheral to this port to verify that the port is working.
The printer has not been correctly named for the network or for a Macintosh.	For Macintosh, use the appropriate utility to name the printer on the network. From the Chooser, select the AppleTalk zone and the printer.

The printer is on but is not receiving data

Cause	Solution
The printer Ready indicator light is not lit.	Press Stop to return the printer to the Ready state.
The front door is not closed.	Close the front door firmly.
A printer message other than Ready appears on the printer control panel.	See Control-panel messages .
The interface cable is not correct for this configuration.	Select the correct interface cable for your configuration. See USB configuration .
The interface cable is not securely connected to both the printer and the computer.	Disconnect and reconnect the interface cable.
The printer is not configured correctly.	See Changing printer control-panel configuration settings .
The interface configurations shown on the printer configuration page do not match those on the host computer.	Configure the printer to match the computer configuration.
The computer is not working correctly.	Try using a program that you know works correctly to check the computer. Or, if the printer is connected through the parallel port, open MS-DOS and type <code>Dir>Prn</code> at the MS-DOS command prompt.
The computer port that the printer is connected to is not configured or is not working correctly.	Connect another peripheral to this port to verify that the port is working.
The printer has not been correctly named for the network or Macintosh.	For Macintosh, use the appropriate utility to name the printer on the network. From the Chooser, select the AppleTalk zone and the printer.

Cannot select the printer from the computer

Cause	Solution
If you are using a switch box, the printer might not be selected for the computer.	Select the correct printer through the switch box.
The printer Ready indicator light is not lit.	Press Stop to return the printer to the Ready state.

Cannot select the printer from the computer

Cause	Solution
A printer message other than Ready appears on the printer control panel.	See Control-panel messages .
The correct printer driver is not installed in the computer.	Install the correct printer driver.
The correct printer and port are not selected on the computer.	Select the correct printer and port.
The network is not configured correctly for this printer.	Use the network software to verify the printer network configuration, or consult with the network administrator.
The power receptacle is not working correctly.	Connect the printer to a different power receptacle.

A message appears that 2-sided printing is not available for the type and size selected

Cause	Solution
The selected paper is not supported for automatic 2-sided printing.	Make sure manual 2-sided printing is enabled. See Gaining access to printer driver settings .

Printer control-panel problems

The following table lists common printer control-panel problems and suggested solutions for resolving them.

Control-panel settings do not work correctly

Cause	Solution
The printer control-panel display is blank, even when the fan is running.	Fans might run while the printer is in standby mode (off). Press the printer power button to turn on the printer.
Printer settings in the software program or printer driver differ from the printer control-panel settings.	Confirm that the settings in the program and printer driver are appropriate. The program settings override the printer-driver and control-panel settings, and the printer-driver settings override the control-panel settings.
Control-panel settings were not correctly saved.	Reselect the control-panel settings, and then press ✓. An asterisk (*) should appear to the right of the setting.
The Data indicator light is lit, and no pages are printing.	Buffered data remains in the printer. Press ✓ to print the buffered data by using current control-panel settings. Then, the new control-panel settings can take effect.
If the printer is on a network, another user might have changed printer control-panel settings.	Consult the network administrator to coordinate changes to printer control-panel settings.

Unable to select tray 3 (optional 500-sheet paper feeder)

Cause	Solution
Tray 3 does not appear as an input tray option on the configuration page or on the control panel.	Tray 3 appears as an option only if it is installed. Verify that tray 3 is installed correctly.
Tray 3 does not appear as an option in the printer driver.	Verify that the printer driver configuration recognizes tray 3. See the printer driver Help to set up and configure additional trays. See Gaining access to printer driver settings .


Color-printing problems

Printing black instead of color

Cause	Solution
Grayscale is selected in the software program or printer driver.	In the software program or printer driver, select Color mode instead of Grayscale or Monochrome mode.
The correct printer driver is not selected in your software program.	Select the correct printer driver.
No color appears on the configuration page.	Contact HP support.
The control-panel setting for COLOR SUPPLY OUT is set to AUTOCONTINUE BLACK , and one of the color print cartridges is out. The printer continues to print in black only.	Replace the color print cartridge.
The control-panel setting for RESTRICT COLOR USE is set to DISABLE COLOR , or it is set to COLOR IF ALLOWED and you do not have permission to print in color.	Change the control-panel setting to ENABLE COLOR .

Incorrect hues print

Cause	Solution
The media does not meet the specifications for this printer.	See the <i>HP LaserJet Printer Family Print Media Specification Guide</i> . Go to www.hp.com/support/clj3000 , www.hp.com/support/clj3600 , or www.hp.com/support/clj3800 for <i>HP LaserJet Printer Family Print Media Specification Guide</i> ordering information. When you connect, select Manuals .
The printer operates in excessively humid or dry conditions.	Verify that the printer environment is within humidity specifications. Store the print media in the same environment as the printer. Calibrate the printer. See Print Quality sub-menu .

 **NOTE** For more information about color-quality problems see [Print-quality troubleshooting](#).

A color is missing

Cause	Solution
The HP print cartridge is defective.	Replace the cartridge.

Inconsistent colors print after installing a print cartridge

Cause	Solution
New print cartridges sometimes require printing several pages before they deliver consistent print quality.	Try printing approximately 50 pages with the new cartridge, and then try the print job again.

Inconsistent colors print after installing a print cartridge

Cause	Solution
Another print cartridge might be low.	Check the supplies gauge on the control panel or print a supplies status page. See Using printer information pages .
The printer might need calibration.	Calibrate the printer. See Calibrating the printer .
The print cartridge might be a refilled cartridge.	Use a genuine HP print cartridge. See Supplies and accessories .

Printed colors do not match screen colors

Cause	Solution
Extremely light screen colors are not being printed.	The software program might interpret extremely light colors as white. If so, avoid using extremely light colors.
Extremely dark screen colors print in black.	The software program might interpret extremely dark colors as black. If so, avoid using extremely dark colors.
The printer might need calibration.	Calibrate the printer. See Calibrating the printer .
The colors on the computer screen differ from the printer output.	<ol style="list-style-type: none">1. On the printer driver Color tab, in the Color Options section, select Manual.
For the HP Color LaserJet 3000 and 3800 Series printers only.	<ol style="list-style-type: none">2. Click Settings.3. In Manual Color Options, in the Color Options section, select Default (sRGB) for each object.4. Click OK to finish.



NOTE Several factors can influence your ability to match printed colors to those on your screen: paper, overhead lighting, software programs, operating system palettes, monitors, and video cards and drivers. See [Color](#).

Incorrect printer output

Printer output problems

Incorrect fonts print

Cause	Solution
The font has not been correctly selected in the software program.	Reselect the font in the software program.
The font is not available to the printer. (HP Color LaserJet 3000 and 3800 series printers only.)	Download the font to the printer or use another font. (In Windows, the driver does this automatically.)
The correct printer driver is not selected.	Select the correct printer driver.
The font might be correct, but the characters appear blurry because the colors are not aligned correctly.	Perform a full printer calibration. See Calibrating the printer .

Cannot print all characters in a symbol set

Cause	Solution
The correct font is not selected.	Select the correct font.
The correct symbol set is not selected.	Select the correct symbol set.
The software program does not support the selected character or symbol set.	Use a font that supports the character or symbol.

Text drifts between pages

Cause	Solution
The software program is not resetting the printer to the top of the page.	See the software documentation or the <i>PCL/PJL Technical Reference Package</i> for specific information.

Characters are erratic or missing, or the printout is interrupted

Cause	Solution
The interface cable is of poor quality.	Try using a different, higher quality, IEEE-compliant interface cable.
The interface cable is loose.	Disconnect and reconnect the interface cable.
The interface cable is damaged or bad.	Try using a different interface cable.
The power cable is loose.	Disconnect and reconnect the power cable.
You are attempting to print a PCL job, but the printer is configured for PS (HP Color LaserJet 3000 and 3800 Series printers only).	From the printer control panel, select the correct printer personality and then resend the print job.
You are attempting to print a PS job, but the printer is configured for PCL (HP Color LaserJet 3000 and 3800 Series printers only).	From the printer control panel, select the correct printer personality and then resend the print job.

Partial printout

Cause	Solution
A memory-error message appears on the printer control panel.	<ol style="list-style-type: none">1. Increase printer memory by deleting unneeded downloaded fonts, style sheets, and macros from the printer memory. or2. Add more memory to the printer.
The file that you are printing contains errors.	<p>Check the software program to verify that the file does not contain errors.</p> <ol style="list-style-type: none">1. From within the same program, print another file that you know is error-free. or2. Print the file from another program.

Smears, vertical lines, toner specks, or repetitive marks appear on printouts

Cause	Solution
The printer needs to be cleaned.	Clean the printer. See Cleaning the printer . If the problem persists, see Print-quality troubleshooting .

Guidelines for printing with different fonts



NOTE This feature is available for the HP Color LaserJet 3000 and 3800 Series printers only.

- The 80 internal fonts are available in PostScript Emulation (PS) and PCL mode.
- To conserve printer memory, download only those fonts that are needed.
- If you require several downloaded fonts, consider installing additional printer memory.

Some software programs automatically download fonts at the beginning of each print job. It might be possible to configure those programs to download only soft fonts that are not already resident in the printer.

Macintosh problems

This section lists problems that can occur when using Mac OS V9.x or Mac OS X.

Solving problems with Mac OS V9.x



NOTE Mac OS V9.x is supported for the HP Color LaserJet 3000 and 3800 Series printers only.

NOTE Use the Desktop Printer Utility to set up for USB and IP printing. The printer will *not* appear in the Chooser.

The printer name or IP address does not appear in the Desktop Printer Utility.

Cause	Solution
The printer might not be ready.	Make sure that the cables are connected correctly, the printer is on, and the Ready light is on. If you are connecting through a USB or Ethernet hub, try connecting directly to the computer or use a different port.
The wrong connection type might be selected.	Make sure that Printer (USB) or Printer (LPR) is selected in the Desktop Printer Utility, depending on the type of connection.
The wrong printer name or IP address is being used.	To check the printer name or IP address, print a configuration page. Verify that the printer name or IP address on the configuration page matches the printer name or IP address in the Desktop Printer Utility.
The interface cable might be defective or of poor quality.	Replace the interface cable with a high-quality cable.

The PostScript Printer Description (PPD) file is not listed in the Desktop Printer Utility.

Cause	Solution
The printer software might not have been installed or was installed incorrectly.	Make sure that the PPD file for your printer model is in the following hard-drive folder: <code>System Folder/Extensions/Printer Descriptions</code> . If necessary, reinstall the software. See the getting started guide for instructions.
The PPD file is corrupt.	Delete the PPD file from the following hard drive folder: <code>System Folder/Extensions/Printer Descriptions</code> . Reinstall the software. See the getting started guide for instructions.

A print job was not sent to the printer.

Cause	Solution
The print queue might be stopped.	Restart the print queue: Select the desktop printer icon, open the Printing menu in the top menu bar, and then click Start Print Queue .
The wrong printer name or IP address is being used.	To check the printer name or IP address, print a configuration page. Verify that the printer name or IP address on the configuration page matches the printer name or IP address in the Desktop Printer Utility.
The printer might not be ready.	Make sure that the cables are connected correctly, the printer is on, and the Ready light is on. If you are connecting through a USB or

A print job was not sent to the printer.

Cause	Solution
	Ethernet hub, try connecting directly to the computer or use a different port.
The interface cable might be defective or of poor quality.	Replace the interface cable with a high-quality cable.

You cannot use the computer while the printer is printing.

Cause	Solution
Background Printing has not been selected.	For LaserWriter 8.6 and later: Turn on background printing by selecting Print Desktop on the File menu and then clicking Background Printing in the pop-up menu.

An encapsulated PostScript (EPS) file prints with incorrect fonts.

Cause	Solution
This problem occurs with some programs.	<ul style="list-style-type: none">Send the file in ASCII format instead of binary encoding.Try downloading the fonts that are contained in the EPS file to the printer before printing.

Your document is not printing with New York, Geneva, or Monaco fonts.

Cause	Solution
The printer might be substituting fonts.	Click Options in the Page Setup dialog box to clear substituted fonts.



You are unable to print from a third-party USB card.

Cause	Solution
This error occurs when the software for USB printers is not installed.	When adding a third-party USB card, you might need the Apple USB Adapter Card Support software. The most current version of this software is available from the Apple Web site.

When connected with a USB cable, the printer does not appear in the Desktop Printer Utility or the Apple System Profiler after the driver is selected.

Cause	Solution
This problem is caused by either a software or hardware component.	Software troubleshooting <ul style="list-style-type: none">Check that your Macintosh supports USB and has the appropriate USB software from Apple.Verify that your Macintosh operating system is Mac OS V9.1 or later.

When connected with a USB cable, the printer does not appear in the Desktop Printer Utility or the Apple System Profiler after the driver is selected.

Cause	Solution
	 NOTE The iMac and Blue G3 desktop Macintosh systems meet all of the requirements to connect to a USB device.
	Hardware troubleshooting <ul style="list-style-type: none">• Check that the printer is turned on.• Verify that the USB cable is connected correctly.• Check that you are using the appropriate high-speed USB cable.• Ensure that you do not have too many USB devices drawing power from the chain. Disconnect all of the devices from the chain and connect the cable directly to the USB port on the host computer.• Check to see if more than two nonpowered USB hubs are connected in a row on the chain. Disconnect all of the devices from the chain and connect the cable directly to the USB port on the host computer.
	 NOTE The iMac keyboard is a nonpowered USB hub.

Solving problems with Mac OS X

The printer driver is not listed in the Print Center or Printer Setup Utility.

Cause	Solution
The printer software might not have been installed or was installed incorrectly.	Make sure that the printer PPD file is in the following hard-drive folder: <code>Library/Printers/PPDs/Contents/Resources/<lang>.lproj</code> , where <code><lang></code> is the two-letter language code for the language that you are using. If necessary, reinstall the software. See the getting started guide for instructions.
The PPD file is corrupt.	Delete the PPD file from the following hard-drive folder: <code>Library/Printers/PPDs/Contents/Resources/<lang>.lproj</code> , where <code><lang></code> is the two-letter language code for the language that you are using. Reinstall the software. See the getting started guide for instructions.

The printer name, IP address, or Rendezvous host name does not appear in the printer list in the Print Center or Printer Setup Utility.

Cause	Solution
The printer might not be ready.	Make sure that the cables are connected correctly, the printer is on, and the ready light is on. If you are connecting through a USB or Ethernet hub, try connecting directly to the computer or use a different port.

The printer name, IP address, or Rendezvous host name does not appear in the printer list in the Print Center or Printer Setup Utility.

Cause	Solution
The wrong connection type might be selected.	Make sure that USB, IP Printing, or Rendezvous is selected, depending on the type of connection.
The wrong printer name, IP address, or Rendezvous host name is being used.	Print a configuration page. Verify that the printer name, IP address, or Rendezvous host name on the configuration page matches the printer name, IP address, or Rendezvous host name in the Print Center or Printer Setup Utility.
The interface cable might be defective or of poor quality.	Replace the interface cable with a high-quality cable.

The printer driver does not automatically set up your selected printer in the Print Center or Printer Setup Utility.

Cause	Solution
The printer might not be ready.	Make sure that the cables are connected correctly, the printer is on, and the ready light is on. If you are connecting through a USB or Ethernet hub, try connecting directly to the computer or use a different port.
The printer software might not have been installed or was installed incorrectly.	Make sure that the printer PPD file is in the following hard-drive folder: <code>Library/Printers/PPDs/Contents/Resources/<lang>.lproj</code> , where <code><lang></code> is the two-letter language code for the language that you are using. If necessary, reinstall the software. See the getting started guide for instructions.
The PPD file is corrupt.	Delete the PPD file from the following hard-drive folder: <code>Library/Printers/PPDs/Contents/Resources/<lang>.lproj</code> , where <code><lang></code> is the two-letter language code for the language that you are using. Reinstall the software. See the getting started guide for instructions.
The interface cable might be defective or of poor quality.	Replace the interface cable with a high-quality cable.

A print job was not sent to the printer that you wanted.

Cause	Solution
The print queue might be stopped.	Restart the print queue. Open print monitor and select Start Jobs .
The wrong printer name, IP address, or Rendezvous host name is being used.	Print a configuration page. Verify that the printer name, IP address, or Rendezvous host name on the configuration page matches the printer name, IP address, or Rendezvous host name in the Print Center or Printer Setup Utility.


An EPS file prints with incorrect fonts.

Cause	Solution
This problem occurs with some programs.	<ul style="list-style-type: none">Try downloading the fonts that are contained in the EPS file to the printer before printing.Send the file in ASCII format instead of binary encoding.

You are unable to print from a third-party USB card.

Cause	Solution
This error occurs when the software for USB printers is not installed.	When adding a third-party USB card, you might need the Apple USB Adapter Card Support software. The most current version of this software is available from the Apple Web site.

When connected with a USB cable, the printer does not appear in the Print Center or Printer Setup Utility after the driver is selected.

Cause	Solution
This problem is caused by either a software or a hardware component.	<p>Software troubleshooting</p> <ul style="list-style-type: none">● Check that your Macintosh supports USB and has the appropriate USB software from Apple.● Verify that your Macintosh operating system is Mac OS X V10.1 or later. <p>Hardware troubleshooting</p> <ul style="list-style-type: none">● Check that the printer is turned on.● Verify that the USB cable is connected correctly.● Check that you are using the appropriate high-speed USB cable.● Ensure that you do not have too many USB devices drawing power from the chain. Disconnect all of the devices from the chain, and connect the cable directly to the USB port on the host computer.● Check to see if more than two nonpowered USB hubs are connected in a row on the chain. Disconnect all of the devices from the chain and connect the cable directly to the USB port on the host computer. <p> NOTE The iMac keyboard is a nonpowered USB hub.</p>

Software program problems

Cannot change system selections

Cause	Solution
The printer control panel locks out system software changes.	Contact the network administrator.
The software program does not support system changes.	See the software program documentation.
The correct printer driver is not loaded.	Load the correct printer driver.
The correct program driver is not loaded.	Load the correct program driver.

Cannot select a font from the software

Cause	Solution
The font is not available to the software program.	See the software program documentation.

Cannot select colors

Cause	Solution
The software program does not support color.	See the software documentation.
Color mode is not selected in the software program or printer driver.	Select Color mode instead of Grayscale or Monochrome mode.
The correct printer driver is not loaded.	Load the correct printer driver.

Printer driver does not recognize tray 3 or the 2-sided printing accessory

Cause	Solution
The printer driver has not been configured to recognize tray 3 or the 2-sided printing accessory.	See the printer driver online Help for instructions to configure the driver to recognize printer accessories.
The accessory might not be installed.	Verify that the accessory is installed correctly.

Print-quality troubleshooting

If you are experiencing problems with print quality, the following sections might help you identify the cause of the problem.

Print-quality problems associated with media

Some print-quality problems arise from the use of inappropriate media.

- Use media that meets HP paper specifications. See [Supported media sizes](#).
- The surface of the media is too smooth. Use paper that meets HP paper specifications. See [Supported media sizes](#).
- The moisture content is uneven, too high, or too low. Use media from a different source or from an unopened ream.
- Some areas of the media reject toner. Use media from a different source or from an unopened ream.
- The letterhead you are using is printed on rough paper. Use a smoother, xerographic paper. If this solves your problem, ask the supplier of your letterhead to use paper that meets the specifications for this printer. See [Supported media sizes](#).
- The paper is excessively rough. Use a smoother, xerographic paper.
- The driver setting is incorrect. To change the media type setting, see [Type and Size](#).
- The media that you are using is too heavy for the media type setting that you selected, and the toner is not fusing to the media.

Overhead transparency defects

Overhead transparencies can display the same image-quality problems as other types of media and also defects that are specific to printing on transparencies. Also, because transparencies are pliable in the print path, the paper-handling components can mark their surface.



NOTE The HP Color LaserJet 3000 series printers do not support printing in color on transparencies.

NOTE Allow transparencies to cool for at least 30 seconds before handling them.

- In the printer driver **Paper** tab, select **Transparency** as the paper type. Also, make sure that the tray is correctly configured for transparencies.
- Make sure that the transparencies meet the specifications for this printer. See [Supported media sizes](#).
- The transparencies are not designed for correct toner adhesion. Use only transparencies that are designed for HP Color LaserJet printers.
- Handle transparencies by the edges. Oil from fingers can cause spots and smudges.
- Small, random, dark areas on the trailing edge of solid-fill pages might result when transparencies stick together in the output bin. Try printing the job in smaller batches.

- If printed colors look wrong when printed, select different colors in the software program or printer driver.
- If you are using a reflective overhead projector with the printed transparencies, use a standard overhead projector instead.

Print-quality problems associated with the environment

If the printer is operating in excessively humid or dry conditions, verify that the printing environment is within specifications. See the printer getting started guide for operating-environment specifications.

Print quality problems associated with jams

Make sure that all sheets are cleared from the paper path. See [Jam recovery](#).

- If the printer recently jammed, print two to three pages to clean the printer.
- If the sheets do not pass through the fuser, which causes image defects on subsequent documents, print two to three pages to clean the printer. However, if the problem persists, see [Print-quality-troubleshooting pages](#).

Print-quality problems associated with toner buildup inside the printer

Over time, toner and other particles can collect inside the printer. This buildup can cause the following print-quality problems:



NOTE To help reduce toner buildup, always configure the media type in the tray to match the media type that you are using. Printing on media that is a different type than the configuration setting can cause excess toner buildup.

- Marks at even intervals on the printed side of the page
- Toner that smears easily
- Toner specs on the page
- Vertical streaks or bands on the page

To correct these types of problems, clean the printer. See [Cleaning the printer](#).

Print-quality-troubleshooting pages

Use the built-in print-quality-troubleshooting pages to help diagnose and solve print-quality problems.

1. Press **Menu**.
2. Press ▼ to highlight **DIAGNOSTICS**, and then press ✓.
3. Press ▼ to highlight **PQ TROUBLESHOOTING**, and then press ✓ to print the pages.

The printer returns to the **Ready** state after printing the print-quality-troubleshooting pages. If you see print-quality defects on the print-quality-troubleshooting pages, calibrate the printer. See [Calibrating the printer](#). If defects continue to appear, go to the appropriate Web site for your printer:

- www.hp.com/go/printquality/clj3000
- www.hp.com/go/printquality/clj3800

Calibrating the printer

Calibration is a printer function that optimizes print quality. If you experience any print-quality problems, calibrate the printer.

1. Press **Menu**.
2. Press ▼ to highlight **CONFIGURE DEVICE**, and then press ✓.
3. Press ▼ to highlight **PRINT QUALITY**, and then press ✓.
4. Press ▼ to highlight **FULL CALIBRATE NOW**, and then press ✓.

A Supplies and accessories

- To order supplies in the U.S., go to www.hp.com/sbso/product/supplies.
- To order supplies worldwide, go to www.hp.com/ghp/buyonline.html.
- To order supplies in Canada, go to www.hp.ca/catalog/supplies.
- To order supplies in Europe, go to www.hp.com/go/supplies.
- To order supplies in Asia-Pacific, go to www.hp.com/paper/.
- To order accessories, go to www.hp.com/go/accessories.

Parts and supplies

Spare parts and supplies for this printer will be available for at least five years after production has stopped.

The table below lists available supplies and accessories for the HP Color LaserJet 3000, 3600, and 3800 Series printers.

Table A-1 Supplies, accessories, and part numbers

Part	Part number	Type/size
Memory upgrades (DIMMs)	Q7721A	Synchronous 128 MB DDR SDRAM DIMM
	Q7722A	Synchronous 256 MB DDR SDRAM DIMM
	Q7723A	Synchronous 512 MB DDR SDRAM DIMM
Accessories	Q5958A	Optional 500-sheet paper feeder (tray 3)
Internal (EIO) connectivity for the HP Color LaserJet 3000 and 3800 Series printers	J6073A/G	HP Jetdirect high-performance hard disk (20 GB)
	J7934A	HP Jetdirect 620n print server (10/100base-TX Ethernet)
	J7960A	HP Jetdirect 625n print server (10/100/1000T Ethernet)
External (EX) connectivity	J3258C	HP Jetdirect 170x print server (Ethernet)
	J6035D	HP Jetdirect 175x print server (fast Ethernet, 10/100base-TX, USB 1.1)
	J6072A	HP bt1300 Bluetooth ¹ wireless printer adapter (USB 1.1 or parallel port interfaces)
	J7942A	HP Jetdirect en3700 print server (fast Ethernet, full feature set, 10/100base-TX, USB 2.0)
	J7951A	HP Jetdirect ew2400 wired/wireless print server (fast Ethernet, value feature set, USB 2.0)
Printer supplies for the HP Color LaserJet 3000 Series printer	Q7560A	Black print cartridge
	Q7561A	Cyan print cartridge
	Q7562A	Yellow print cartridge
	Q7563A	Magenta print cartridge
Printer supplies for the HP Color LaserJet 3600 Series printer	Q6470A	Black print cartridge
	Q6471A	Cyan print cartridge
	Q6472A	Yellow print cartridge
	Q6473A	Magenta print cartridge
Printer supplies for the HP Color LaserJet 3800 Series printer	Q6470A	Black print cartridge
	Q7581A	Cyan print cartridge
	Q7582A	Yellow print cartridge
	Q7583A	Magenta print cartridge
Cables	C6518A	USB 2.0 printer cable (2-meter [6.5-foot] standard)

Table A-1 Supplies, accessories, and part numbers (continued)

Part	Part number	Type/size	
Media	C2934A	50 sheets HP Color LaserJet Transparencies (letter)	
	C2936A	50 sheets HP Color LaserJet Transparencies (A4)	
	Q2419A	HP LaserJet High Gloss paper (letter)	
	C4179A	200 sheets HP LaserJet Soft Gloss paper (letter)	
	C4179B	200 sheets HP LaserJet Soft Gloss paper (A4)	
	Q1298A	HP LaserJet Tough paper (letter)	
	Q1298B	HP LaserJet Tough paper (A4)	
	HPU1132	HP Premium Choice LaserJet paper (letter)	
	CHP410	HP Premium Choice LaserJet paper (A4)	
	HPJ1124	HP LaserJet paper (letter)	
	CHP310	HP LaserJet paper (A4)	
	Reference materials	5851-1468	<i>HP LaserJet Printer Family Print Media Specification Guide</i>
		5021-0337	<i>PCL/PJL Technical Reference Package</i> For downloadable versions, go to www.hp.com/support/clj3000 , www.hp.com/support/clj3600 or www.hp.com/support/clj3800 . When connected, select Manuals .

¹ Bluetooth is a trademark owned by its proprietor and used by Hewlett-Packard Company under license.

Ordering by using the embedded Web server



NOTE This feature is available for the HP Color LaserJet 3000 and 3800 Series printers only.

Use the following steps to order printing supplies directly through the embedded Web server (see [Using the embedded Web server](#)).

1. In the Web browser on the computer, type the IP address for the printer. The printer status window appears. Or, go to the URL provided in the alert e-mail.
2. If asked to provide a password, type the password.
3. On the left side of the **Device Configuration** window, click **Order Supplies**. This provides the URL where you can purchase supplies and view supplies information, including part numbers and printer information.
4. Select the part numbers you want to order and follow the onscreen instructions.

B Service and support

Hewlett-Packard limited warranty statement

HP PRODUCT

HP Color LaserJet 3000, 3000n, 3000dn, 3000dtn, 3600, 3600n, 3600dn, 3800, 3800n, 3800dn, and 3800dtn printers

DURATION OF LIMITED WARRANTY

One-year limited warranty

HP warrants to you, the end-user customer, that HP hardware and accessories will be free from defects in materials and workmanship after the date of purchase, for the period specified above. If HP receives notice of such defects during the warranty period, HP will, at its option, either repair or replace products which prove to be defective. Replacement products may be either new or equivalent in performance to new.

HP warrants to you that HP software will not fail to execute its programming instructions after the date of purchase, for the period specified above, due to defects in material and workmanship when properly installed and used. If HP receives notice of such defects during the warranty period, HP will replace software which does not execute its programming instructions due to such defects.

HP does not warrant that the operation of HP products will be uninterrupted or error free. If HP is unable, within a reasonable time, to repair or replace any product to a condition as warranted, you will be entitled to a refund of the purchase price upon prompt return of the product.

HP products may contain remanufactured parts equivalent to new in performance or may have been subject to incidental use.

Warranty does not apply to defects resulting from (a) improper or inadequate maintenance or calibration, (b) software, interfacing, parts or supplies not supplied by HP, (c) unauthorized modification or misuse, (d) operation outside of the published environmental specifications for the product, or (e) improper site preparation or maintenance.

TO THE EXTENT ALLOWED BY LOCAL LAW, THE ABOVE WARRANTIES ARE EXCLUSIVE AND NO OTHER WARRANTY OR CONDITION, WHETHER WRITTEN OR ORAL, IS EXPRESSED OR IMPLIED AND HP SPECIFICALLY DISCLAIMS ANY IMPLIED WARRANTIES OR CONDITIONS OF MERCHANTABILITY, SATISFACTORY QUALITY, AND FITNESS FOR A PARTICULAR PURPOSE. Some countries/regions, states or provinces do not allow limitations on the duration of an implied warranty, so the above limitation or exclusion might not apply to you. This warranty gives you specific legal rights and you might also have other rights that vary from country/region to country/region, state to state, or province to province. HP's limited warranty is valid in any country/region or locality where HP has a support presence for this product and where HP has marketed this product. The level of warranty service you receive may vary according to local standards. HP will not alter form, fit or function of the product to make it operate in a country/region for which it was never intended to function for legal or regulatory reasons.

TO THE EXTENT ALLOWED BY LOCAL LAW, THE REMEDIES IN THIS WARRANTY STATEMENT ARE YOUR SOLE AND EXCLUSIVE REMEDIES. EXCEPT AS INDICATED ABOVE, IN NO EVENT WILL HP OR ITS SUPPLIERS BE LIABLE FOR LOSS OF DATA OR FOR DIRECT, SPECIAL, INCIDENTAL, CONSEQUENTIAL (INCLUDING LOST PROFIT OR DATA), OR OTHER DAMAGE, WHETHER BASED IN CONTRACT, TORT, OR OTHERWISE. Some countries/regions, states or provinces do not allow the exclusion or limitation of incidental or consequential damages, so the above limitation or exclusion may not apply to you.

THE WARRANTY TERMS CONTAINED IN THIS STATEMENT, EXCEPT TO THE EXTENT LAWFULLY PERMITTED, DO NOT EXCLUDE, RESTRICT OR MODIFY AND ARE IN ADDITION TO THE MANDATORY STATUTORY RIGHTS APPLICABLE TO THE SALE OF THIS PRODUCT TO YOU.

Print cartridge, transfer unit, and fuser limited warranty statement

This HP product is warranted to be free from defects in materials and workmanship.

This warranty does not apply to products that (a) have been refilled, refurbished, remanufactured or tampered with in any way, (b) experience problems resulting from misuse, improper storage, or operation outside of the published environmental specifications for the printer product or (c) exhibit wear from ordinary use.

To obtain warranty service, please return the product to place of purchase (with a written description of the problem and print samples) or contact HP customer support. At HP's option, HP will either replace products that prove to be defective or refund your purchase price.

TO THE EXTENT ALLOWED BY LOCAL LAW, THE ABOVE WARRANTY IS EXCLUSIVE AND NO OTHER WARRANTY OR CONDITION, WHETHER WRITTEN OR ORAL, IS EXPRESSED OR IMPLIED AND HP SPECIFICALLY DISCLAIMS ANY IMPLIED WARRANTIES OR CONDITIONS OF MERCHANTABILITY, SATISFACTORY QUALITY, AND FITNESS FOR A PARTICULAR PURPOSE.

TO THE EXTENT ALLOWED BY LOCAL LAW, IN NO EVENT WILL HP OR ITS SUPPLIERS BE LIABLE FOR DIRECT, SPECIAL, INCIDENTAL, CONSEQUENTIAL (INCLUDING LOST PROFIT OR DATA), OR OTHER DAMAGE, WHETHER BASED IN CONTRACT, TORT, OR OTHERWISE.

THE WARRANTY TERMS CONTAINED IN THIS STATEMENT, EXCEPT TO THE EXTENT LAWFULLY PERMITTED, DO NOT EXCLUDE, RESTRICT OR MODIFY AND ARE IN ADDITION TO THE MANDATORY STATUTORY RIGHTS APPLICABLE TO THE SALE OF THIS PRODUCT TO YOU.

HP maintenance agreements

HP has several types of maintenance agreements that meet a wide range of support needs. Maintenance agreements are not part of the standard warranty. Support services may vary by area. Check with your local HP dealer to determine the services available to you.

On-site service agreements

To provide you with the level of support best suited to your needs, HP has on-site service agreements with a selection of response times.

Next-day on-site service

This agreement provides support by the next working day following a service request. Extended coverage hours and extended travel beyond HP's designated service zones are available on most on-site agreements (for additional charges).

Weekly (volume) on-site service

This agreement provides scheduled weekly on-site visits for organizations with many HP products. This agreement is designated for sites using 25 or more workstation products, including printers, plotters, computers, and disk drives.

Extended warranty

HP SupportPack provides coverage for the HP hardware product and all HP-supplied internal components. The hardware maintenance covers a 1 to 3 year period from date of the HP product purchase. The customer must purchase HP SupportPack within the stated factory warranty. For more information, contact the HP Customer Care Service and Support group.

Repacking the printer

If your printer needs to be moved or shipped to another location, perform the following procedure to repack the printer.



CAUTION Shipping damage as a result of inadequate packing is the customer's responsibility. The printer must remain upright during shipment.

To repack the printer



CAUTION It is *extremely important* to remove the print cartridges before shipping the printer. Print cartridges left in the printer during shipping will leak and entirely cover the printer engine and other parts with toner.

To prevent damage to the print cartridge, avoid touching the roller, and store the print cartridge in its original packing material or so that it is not exposed to light.

1. Remove all four print cartridges and ship separately.
2. Remove optional tray 3 and ship the tray separately.
3. Use the original shipping container and packing material, if possible. If you have already disposed of the printer packing material, contact a local mailing service for information about repacking the printer. HP recommends insuring the equipment for shipment.

C Printer specifications

The printer specifications provide information about the size and weight, amount of power needed and used, and noise output of the printer. The specifications also describe how the different operating modes affect power consumption, heat output, and noise output.

Physical specifications

Table C-1 Physical dimensions for the HP Color LaserJet 3000, 3600, and 3800 Series printers

Product	Height	Depth	Width	Weight ¹
Base model	400 mm (15.7 in)	450 mm (17.7 in)	400 mm (15.7 in)	20.3 kg (44.8 lbs)
Base model plus duplexer	423 mm (16.7 in)	450 mm (17.7 in)	400 mm (15.7 in)	21.5 kg (47.4 lbs)
Base model plus optional tray 3	540 mm (21.3 in)	450 mm (17.7 in)	400 mm (15.7 in)	25.4 kg (56 lbs)
Base model plus duplexer and optional tray 3	563 mm (22.2 in)	450 mm (17.7 in)	400 mm (15.7 in)	26.6 kg (58.6 lbs)

¹ Printer weight does not include print cartridges.

Electrical specifications



WARNING! Power requirements are based on the country/region where the printer is sold. Do not convert operating voltages. This may damage the printer and void the product warranty.

Table C-2 Electrical specifications for the HP Color LaserJet 3000 Series printers

Item	110-volt models	220-volt models
Power requirements	100 to 127 V (+/-10%)	220 to 240 V (+/-10%)
	50 to 60 Hz (+/-2 Hz)	50 to 60 Hz (+/-2 Hz)
Minimum recommended circuit capacity	6.5 A	3.5 A

Table C-3 Electrical specifications for the HP Color LaserJet 3600 Series printer

Item	110-volt models	220-volt models
Power requirements	100 to 127 V (+/-10%)	220 to 240 V (+/-10%)
	50 to 60 Hz (+/-2 Hz)	50 to 60 Hz (+/-2 Hz)
Minimum recommended circuit capacity	6.5 A	3.5 A

Table C-4 Electrical specifications for the HP Color LaserJet 3800 Series printer

Item	110-volt models	220-volt models
Power requirements	100 to 127 V (+/-10%)	220 to 240 V (+/-10%)
	50 to 60 Hz (+/-2 Hz)	50 to 60 Hz (+/-2 Hz)
Minimum recommended circuit capacity	6.5 A	3.5 A

Power-consumption specifications

Table C-5 Power consumption (average, in watts)¹

Product Model	Printing ²	Ready ³	Sleep ⁴	Off	Heat output-Ready (BTU/hour) ⁵
HP Color LaserJet 3000	409	29	13	0.5	100
HP Color LaserJet 3000n	409	29	13	0.5	100
HP Color LaserJet 3000dn	409	29	13	0.5	100
HP Color LaserJet 3000dtn	409	29	13	0.5	100
HP Color LaserJet 3600	337	51	15	0.5	171
HP Color LaserJet 3600n	337	51	15	0.5	171
HP Color LaserJet 3600dn	337	51	15	0.5	171
HP Color LaserJet 3800	437	48	15	0.5	162
HP Color LaserJet 3800n	437	48	15	0.5	162
HP Color LaserJet 3800dn	437	48	15	0.5	162
HP Color LaserJet 3800dtn	407	46	15	0.7	162

¹ The power consumption reflects the highest values measured for color and monochrome printing when using standard voltages.

² HP Color LaserJet 3000: The printing speed is 15 ppm for letter-size media and 29 ppm for A4-size media. HP Color LaserJet 3600: The printing speed is 17 ppm for letter-size media and 17 ppm for A4-size media. HP Color LaserJet 3800: The printing speed is 20 ppm for letter-size media and 21 ppm for A4-size media.

³ The default activation time from ready mode to sleep mode is 30 minutes.

⁴ The recovery time from sleep mode to the start of printing is 6 seconds.

⁵ Maximum heat dissipation for all models in ready mode is 171 BTU per hour.



NOTE These values are subject to change.

Acoustic specifications

Table C-6 Acoustic emissions for the HP Color LaserJet 3000 Series printers¹

Sound power level	Declared per ISO 9296
Printing (15 ppm) ²	$L_{WAd} = 6.9$ Bels (A) [69 dB (A)]
Ready	$L_{WAd} = 5.3$ Bels (A) [53 dB (A)]
Sound pressure level: bystander position	Declared per ISO 9296
Printing (15 ppm) ²	$L_{pAm} = 55$ dB (A)
Ready	$L_{pAm} = 39$ dB (A)

¹ The HP Color LaserJet 3000dn was tested in simplex mode with A4-size media.

² The color printing speed is 15 ppm for letter-size media and A4-size media. The monochrome printing speed is 30 ppm for letter-size media and 29 ppm for A4-size media.

Table C-7 Acoustic emissions for the HP Color LaserJet 3600 Series printer¹

Sound power level	Declared per ISO 9296
Printing (17 ppm) ²	$L_{WAd} = 6.4$ Bels (A) [64 dB (A)]
Sound pressure level: bystander position	Declared per ISO 9296
Printing (17 ppm) ²	$L_{pAm} = 49$ dB (A)

¹ The HP Color LaserJet 3600 printer was tested in simplex monochrome mode with A4-size media.

² The printing speed is 17 ppm for letter-size media and 17 ppm for A4-size media.

Table C-8 Acoustic emissions for the HP Color LaserJet 3800 Series printers¹

Sound power level	Declared per ISO 9296
Printing (20 ppm) ²	$L_{WAd} = 6.4$ Bels (A) [64 dB (A)]
Ready	$L_{WAd} = 5.4$ Bels (A) [54 dB (A)]
Sound pressure level: bystander position	Declared per ISO 9296
Printing (20 ppm) ²	$L_{pAm} = 50$ dB (A)
Ready	$L_{pAm} = 40$ dB (A)

¹ The HP Color LaserJet 3800n was tested in simplex mode with A4-size media.

² The printing speed is 20 ppm for letter-size media and 21 ppm for A4-size media.



NOTE These values are subject to change.

Operating-environment specifications

Table C-9 Operating environment specifications

Environment	Recommended	Allowed
Temperature	17 to 25° C (62.6 to 77° F)	10 to 27° C (50 to 81° F)
Humidity	20 to 60% relative humidity (RH)	10 to 70% RH
Altitude	Not applicable	0 to 2600 m (0 to 8530 ft)



NOTE These values are subject to change.

D Regulatory information

This section contains the following regulatory information:

- [FCC regulations](#)
- [Environmental product stewardship program](#)
- [Declaration of conformity \(HP Color LaserJet 3000 series\)](#)
- [Declaration of conformity \(HP Color LaserJet 3600 series and HP Color LaserJet 3800 series\)](#)
- [Safety statements](#)

FCC regulations

This equipment has been tested and found to comply with the limits for a Class B digital device, pursuant to Part 15 of the FCC rules. These limits are designed to provide reasonable protection against harmful interference in a residential installation. This equipment generates, uses, and can radiate radio frequency energy. If this equipment is not installed and used in accordance with the instructions, it may cause harmful interference to radio communications. However, there is no guarantee that interference will not occur in a particular installation. If this equipment does cause harmful interference to radio or television reception, which can be determined by turning the equipment off and on, the user is encouraged to try to correct the interference by one or more of the following measures:

- Reorient or relocate the receiving antenna.
- Increase separation between equipment and receiver.
- Connect equipment to an outlet on a circuit different from that to which the receiver is located.
- Consult your dealer or an experienced radio/TV technician.



NOTE Any changes or modifications to the printer that are not expressly approved by HP could void the user's authority to operate this equipment.

Use of a shielded interface cable is required to comply with the Class B limits of Part 15 of FCC rules.

Environmental product stewardship program

Protecting the environment

Hewlett-Packard Company is committed to providing quality products in an environmentally sound manner. This product has been designed with several attributes to minimize impacts on our environment.

Ozone production

This product generates no appreciable ozone gas (O₃).

Power consumption

Power usage drops significantly while in Sleep mode, which saves natural resources and saves money without affecting the high performance of this product. This product qualifies for ENERGY STAR® (Version 3.0), which is a voluntary program to encourage the development of energy-efficient office products.



ENERGY STAR® and the ENERGY STAR mark are U.S. registered marks. As an ENERGY STAR partner, Hewlett-Packard Company has determined that this product meets ENERGY STAR Guidelines for energy efficiency. For more information, see www.energystar.gov/.

Toner consumption

Economode uses significantly less toner, which might extend the life of the print cartridge.

Paper use

This product's optional automatic duplex feature and N-up printing (multiple pages printed on one page) capability can reduce paper usage and the resulting demands on natural resources.

Plastics

Plastic parts over 25 grams are marked according to international standards that enhance the ability to identify plastics for recycling purposes at the end of the product's life.

HP LaserJet printing supplies

It's easy to return and recycle your empty HP LaserJet print cartridges—free of charge—with HP Planet Partners. HP is committed to providing inventive, high-quality products and services that are environmentally sound, from product design and manufacturing to distribution, operation and recycling processes. We ensure your returned HP LaserJet print cartridges are recycled properly, processing them to recover valuable plastics and metals for new products and diverting millions of tons of waste from landfills. Since this cartridge is being recycled and used in new materials, it will not be returned to you. Your empty HP LaserJet print cartridges are recycled responsibly when you participate in the HP Planet Partners program. Thank you for being environmentally responsible!

In many countries/regions, this product's printing supplies (for example, print cartridges) can be returned to HP through the HP Printing Supplies Returns and Recycling Program. An easy-to-use and free take back program is available in more than 35 countries/regions. Multilingual program information and instructions are included in every new HP LaserJet print cartridge and supplies package.

HP printing supplies returns and recycling program information

Since 1992, HP has offered HP LaserJet supplies return and recycling free of charge. In 2004, HP Planet Partners for LaserJet Supplies was available in 85% of the world market where HP LaserJet supplies are sold. Postage-paid and pre-addressed labels are included within the instruction guide in most HP LaserJet print cartridge boxes. Labels and bulk boxes are also available through the Web site: www.hp.com/recycle.

Use the label to return empty, original HP LaserJet print cartridges only. Please do not use this label for non-HP cartridges, refilled or remanufactured cartridges, or warranty returns. Printing supplies or other objects inadvertently sent to the HP Planet Partners program cannot be returned.

More than 10 million HP LaserJet print cartridges were recycled globally in 2004 through the HP Planet Partners supplies recycling program. This record number represents 26 million pounds of print cartridge materials diverted from landfills. Worldwide, in 2004, HP recycled an average of 59% of the print cartridge by weight consisting primarily of plastic and metals. Plastics and metals are used to make new products such as HP products, plastic trays, and spools. The remaining materials are disposed of in an environmentally responsible manner.

- **U.S. returns.** For a more environmentally responsible return of used cartridges and supplies, HP encourages the use of bulk returns. Simply bundle two or more cartridges together and use the single, pre-paid, pre-addressed UPS label that is supplied in the package. For more information in the U.S., call 1-800-340-2445 or visit the HP Web site at www.hp.com/recycle.
- **Non-U.S. returns.** Non-U.S. customers should visit the www.hp.com/recycle Web site for further information regarding availability of the HP Supplies Returns and Recycling Program.

Paper

This product is capable of using recycled papers when the paper meets the guidelines outlined in the *HP LaserJet Printer Family Print Media Specification Guide*. This product is suitable for the use of recycled paper according to EN12281:2002.

Material restrictions

This HP product does not contain added mercury.

This HP product contains a battery that might require special handling at end-of-life. The batteries contained in or supplied by Hewlett-Packard for this product include the following:

HP Color LaserJet 3000 and 3800 Series printers	HP Color LaserJet 3600 Series printer
Type: carbon monofluoride lithium battery BR1632	Type: carbon monofluoride lithium battery BR2032
Weight: (1.5 g)	Weight: (2.0 g)
Location: On formatter board	Location: On I-controller board
User-removable: No	User-removable: No

For recycling information, you can go to www.hp.com/recycle, or contact your local authorities or the Electronics Industries Alliance: www.eiae.org.

Disposal of waste equipment by users in private households in the European Union



This symbol on the product or on its packaging indicates that this product must not be disposed of with your other household waste. Instead, it is your responsibility to dispose of your waste equipment by handing it over to a designated collection point for the recycling of waste electrical and electronic equipment. The separate collection and recycling of your waste equipment at the time of disposal will help to conserve natural resources and ensure that it is recycled in a manner that protects human health and the environment. For more information about where you can drop off your waste equipment for recycling, please contact your local city office, your household waste disposal service or the shop where you purchased the product.

Material Safety Data Sheet (MSDS)

Material Safety Data Sheets (MSDS) for supplies containing chemical substances (for example, toner) can be obtained by contacting the HP Web site at www.hp.com/go/msds or www.hp.com/hpinfo/community/environment/productinfo/safety.

Extended warranty

HP SupportPack provides coverage for the HP hardware product and all HP supplied internal components. The hardware maintenance covers a three-year period from date of the HP product purchase. The customer must purchase HP SupportPack within the stated factory warranty. For more information, contact the HP Customer Care Service and HP Customer Support group. See [Hewlett-Packard limited warranty statement](#).

For more information

To obtain information about these environmental topics:

- Product environmental profile sheet for this and many related HP products
- HP's commitment to the environment
- HP's environmental management system
- HP's end-of-life product return and recycling program
- Material Safety Data Sheets

Visit www.hp.com/go/environment or www.hp.com/hpinfo/community/environment/productinfo/safety.

Declaration of conformity (HP Color LaserJet 3000 series)

Declaration of Conformity

according to ISO/IEC Guide 22 and EN 45014

Manufacturer's Name: Hewlett-Packard Company
Manufacturer's Address: 11311 Chinden Boulevard,
Boise, Idaho 83714-1021, USA

declares, that the product

Product Name: HP Color LaserJet 3000 series
Regulatory Model:³⁾ BOISB-0504-01

Including

Product Options: Q5985A – Optional 500 Sheet Input Tray
ALL
Print Cartridges: Q7560A, Q7561A, Q7562A, Q7563A

conforms to the following Product Specifications:

SAFETY: IEC 60950-1:2001 / EN60950-1: 2001 +A11
IEC 60825-1:1993 +A1+A2 / EN 60825-1:1994 +A1 +A2 (Class 1 Laser/LED Product) GB4943-2001
EMC: CISPR22:1993 +A1 +A2 / EN55022:1994 +A1 +A2 - Class B¹⁾
EN 61000-3-2:2000
EN 61000-3-3:1995 +A1
EN 55024:1998 +A1 +A2
FCC Title 47 CFR, Part 15 Class B2) / ICES-003, Issue 4 GB9254-1998, GB17625.1-2003

Supplementary Information:

The product herewith complies with the requirements of the EMC Directive 89/336/EEC and the Low Voltage Directive 73/23/EEC, and carries the CE-Marking accordingly.

- 1) The product was tested in a typical configuration with Hewlett-Packard Personal Computer Systems.
- 2) This Device complies with Part 15 of the FCC Rules. Operation is subject to the following two Conditions: (1) this device may not cause harmful interference, and (2) this device must accept any interference received, including interference that may cause undesired operation.
- 3) For regulatory purposes, these products are assigned a Regulatory model number. This number should not be confused with the product name or the product number(s).

Boise, Idaho 83713, USA

16 May, 2005

For Regulatory Topics Only:

Australia Contact Product Regulations Manager, Hewlett-Packard Australia Ltd., 31-41 Joseph Street,, Blackburn, Victoria 3130, Australia
European Contact Your Local Hewlett-Packard Sales and Service Office or Hewlett-Packard GmbH, Department HQ-TRE / Standards Europe, Herrenberger Strasse 140, Böblingen, D-71034, Germany, (FAX+49-7031-14-3143)
USA Contact Product Regulations Manager, Hewlett-Packard Company, PO Box 15, Mail Stop 160, Boise, ID 83707-0015, USA, (Phone: 208-396-6000)

Declaration of conformity (HP Color LaserJet 3600 series and HP Color LaserJet 3800 series)

Declaration of Conformity

according to ISO/IEC Guide 22 and EN 45014

Manufacturer's Name: Hewlett-Packard Company
Manufacturer's Address: 11311 Chinden Boulevard,
Boise, Idaho 83714-1021, USA

declares, that the product

Product Names:⁴⁾ HP Color LaserJet 3600 series / HP Color LaserJet 3800 series

Regulatory Model:³⁾ BOISB-0504-00

Including

Q5985A – Optional 500 Sheet Input Tray

ALL

Product Options:

Print Cartridges: Q6470A, Q6471A, Q6472A, Q6473A, Q7581A, Q7582A, Q7583A

conforms to the following Product Specifications:

SAFETY: IEC 60950-1:2001 / EN60950-1: 2001 +A11
IEC 60825-1:1993 +A1 +A2 / EN 60825-1:1994 +A1 +A2 (Class 1 Laser/LED Product)
GB4943-2001

EMC: CISPR22:1993 +A1 +A2 / EN55022:1994 +A1 +A2 - Class B¹⁾
EN 61000-3-2:2000
EN 61000-3-3:1995 +A1
EN 55024:1998 +A1 +A2
FCC Title 47 CFR, Part 15 Class B²⁾ / ICES-003, Issue 4
GB9254-1998, GB17625.1-2003

Supplementary Information:

The product herewith complies with the requirements of the EMC Directive 89/336/EEC and the Low Voltage Directive 73/23/EEC, and carries the CE-Marking accordingly.

- 1) The product was tested in a typical configuration with Hewlett-Packard Personal Computer Systems.
- 2) This Device complies with Part 15 of the FCC Rules. Operation is subject to the following two Conditions: (1) this device may not cause harmful interference, and (2) this device must accept any interference received, including interference that may cause undesired operation.
- 3) For regulatory purposes, these products are assigned a Regulatory model number. This number should not be confused with the product name or the product number(s).
- 4) CLJ3600 series and CLJ3800 series are similar in design, but use various interface boards.

Boise, Idaho 83713, USA

16 May, 2005

For Regulatory Topics Only:

Australia Contact Product Regulations Manager, Hewlett-Packard Australia Ltd., 31-41 Joseph Street., Blackburn, Victoria 3130, Australia

European Contact Your Local Hewlett-Packard Sales and Service Office or Hewlett-Packard GmbH, Department HQ-TRE / Standards Europe, Herrenberger Strasse 140, Böblingen, D-71034, Germany, (FAX +49-7031-14-3143)

USA Contact Product Regulations Manager, Hewlett-Packard Company, PO Box 15, Mail Stop 160, Boise, ID 83707-0015, USA, (Phone: 208-396-6000)

Safety statements

Laser safety

The Center for Devices and Radiological Health (CDRH) of the U.S. Food and Drug Administration has implemented regulations for laser products manufactured since August 1, 1976. Compliance is mandatory for products marketed in the United States. The printer is certified as a “Class 1” laser product under the U.S. Department of Health and Human Services (DHHS) Radiation Performance Standard according to the Radiation Control for Health and Safety Act of 1968. Since radiation emitted inside the printer is completely confined within protective housings and external covers, the laser beam cannot escape during any phase of normal user operation.



WARNING! Using controls, making adjustments, or performing procedures other than those specified in this user guide may result in exposure to hazardous radiation.

Canadian DOC regulations

Complies with Canadian EMC Class B requirements.

« Conforme à la classe B des normes canadiennes de compatibilité électromagnétiques. « CEM ». »

EMI statement (Korea)

B급 기기 (가정용 정보통신기기)

이 기기는 가정용으로 전자파적합등록을 한 기기로서
주거지역에서는 물론 모든지역에서 사용할 수 있습니다.

VCCI statement (Japan)

この装置は、情報処理装置等電波障害自主規制協議会（VCCI）の基準に基づくクラスB情報技術装置です。この装置は、家庭環境で使用することを目的としていますが、この装置がラジオやテレビジョン受信機に近接して使用されると、受信障害を引き起こすことがあります。

取扱説明書に従って正しい取り扱いをして下さい。

Power cord statement (Japan)

製品には、同梱された電源コードをお使い下さい。
同梱された電源コードは、他の製品では使用出来ません。

Laser statement for Finland

Luokan 1 laserlaite

Klass 1 Laser Apparat

HP Color LaserJet 3000, 3000n, 3000dn, 3000dtn, 3600, 3600n, 3600dn, 3800, 3800n, 3800dn, 3800dtn, laserkirjoitin on käyttäjän kannalta turvallinen luokan 1 laserlaite.

Normaalissa käytössä kirjoittimen suojakoteloointi estää lasersäteen pääsyn laitteen ulkopuolelle. Laitteen turvallisuusluokka on määritetty standardin EN 60825-1 (1994) mukaisesti.

VAROITUS !

Laitteen käyttäminen muulla kuin käyttöohjeessa mainitulla tavalla saattaa altistaa käyttäjän turvallisuusluokan 1 ylittävälle näkymättömälle lasersäteilylle.

WARNING !

Om apparaten används på annat sätt än i bruksanvisning specificerats, kan användaren utsättas för osynlig laserstrålning, som överskrider gränsen för laserklass 1.

HUOLTO

HP Color LaserJet 3000, 3000n, 3000dn, 3000dtn, 3600, 3600n, 3600dn, 3800, 3800n, 3800dn, 3800dtn -kirjoittimen sisällä ei ole käyttäjän huollettavissa olevia kohteita. Laitteen saa avata ja huoltaa ainoastaan sen huoltamiseen koulutettu henkilö. Tällaiseksi huoltotoimenpiteeksi ei katsota väriainekasetin vaihtamista, paperiradan puhdistusta tai muita käyttäjän käsikirjassa lueteltuja, käyttäjän tehtäväksi tarkoitettuja ylläpitotoimia, jotka voidaan suorittaa ilman erikoistyökaluja.

VARO !

Mikäli kirjoittimen suojakotelo avataan, olet alttiina näkymättömälle lasersäteilylle laitteen ollessa toiminnassa. Älä katso säteeseen.

WARNING !

Om laserprinterns skyddshölje öppnas då apparaten är i funktion, utsättas användaren för osynlig laserstrålning. Betrakta ej strålen. Tiedot laitteessa käytettävän laserdiodin säteilyominaisuuksista: Aallonpituus 775-795 nm Teho 5 m W Luokan 3B laser.

E Working with memory

Printer memory



NOTE The information in this appendix pertains to the HP Color LaserJet 3000 and 3800 Series printers only.

The HP Color LaserJet 3000 and 3800 Series printers have one dual inline memory module (DIMM) slot. Use the DIMM slot to upgrade the printer with the following items:

- More printer memory — DIMMs are available in 128, 256, and 512 MB
- Other DIMM-based printer languages and printer options



NOTE Single in-line memory modules (SIMMs) used on previous HP LaserJet printers are not compatible with the printer.

NOTE To order DIMMs, see [Supplies and accessories](#).

You might want to add more memory to the printer if you often print complex graphics or PostScript documents, or if you use many downloaded fonts. Additional memory also allows the printer to print multiple collated copies at the maximum speed.

Before ordering additional memory, see how much memory is currently installed by printing a configuration page. See [Using printer information pages](#).

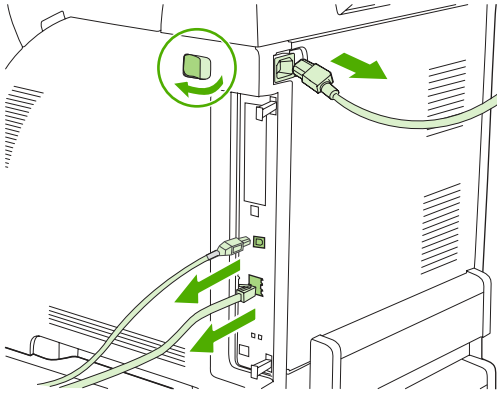
Installing memory DIMMs

You can install more memory for the printer, and you can also install a font DIMM to allow the printer to print characters for languages such as Chinese or the Cyrillic alphabet.

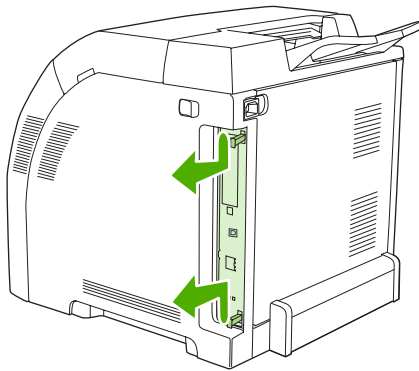
CAUTION Static electricity can damage DIMMs. When handling DIMMs, either wear an antistatic wrist strap, or frequently touch the surface of the DIMM antistatic package and then touch bare metal on the printer.

To install memory and font DIMMs

1. Turn the printer off, and then disconnect all power and interface cables.

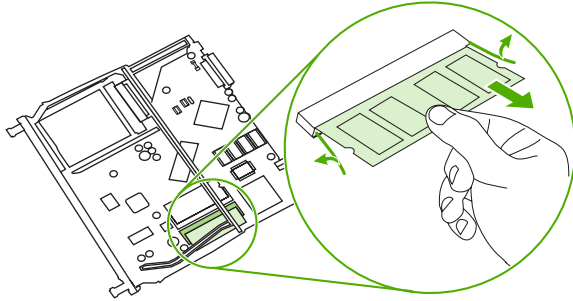


2. On the right side of the printer, gently pull the black tabs together, and then pull the formatter assembly from the printer.

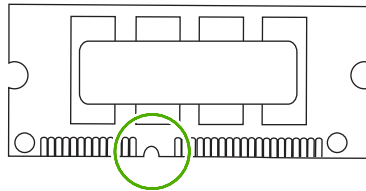


3. Place the formatter board on a clean, flat, grounded surface.

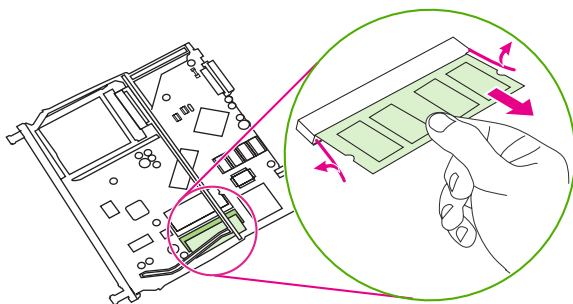
To replace a DIMM that is currently installed, spread the latches on each side of the DIMM slot, lift the DIMM up at an angle, and pull it out.



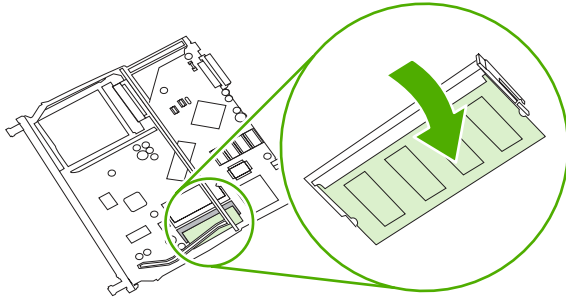
4. Remove the new DIMM from the antistatic package, and then locate the alignment notch on the bottom edge of the DIMM.



5. Holding the DIMM by the edges, align the notch on the DIMM with the bar in the DIMM slot at an angle and firmly press the DIMM into the slot until it is fully seated. When installed correctly, the metal contacts are not visible.

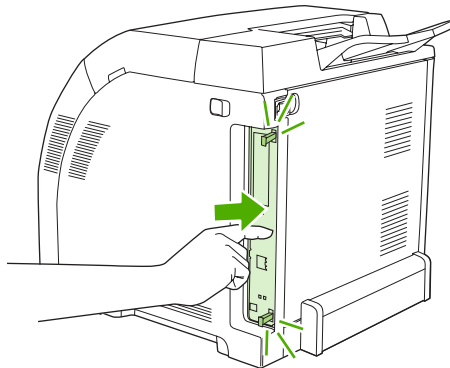


6. Push down on the DIMM until both latches engage the DIMM.



NOTE If you have difficulty inserting the DIMM, make sure that the notch on the bottom of the DIMM is aligned with the bar in the slot. If the DIMM still does not go in, make sure that you are using the correct DIMM type.

7. Align the edge of the formatter board in the tracks at the top and bottom of the slot, and then slide the board back into the printer. Push the formatter firmly until you hear the formatter latches click into place.



8. Reconnect the power cable and USB or network cable, and then turn on the printer.
9. After installing a memory DIMM, see [Enabling memory](#).

Enabling memory

If you installed a memory DIMM, set the printer driver to recognize the newly added memory.

To enable memory for Windows

1. On the **Start** menu, point to **Settings**, and click **Printers** or **Printers and Faxes**.
2. Select this printer and select **Properties**.
3. On the **Configure** tab, click **More**.
4. In the **Total Memory** field, type or select the total amount of memory that is now installed.

5. Click **OK**.
6. Go to [Checking DIMM installation](#).

Checking DIMM installation

Check that the DIMMs are installed correctly and working.

To check DIMM installation

1. Turn the printer on. Check that the printer is in the **Ready** state after the it has gone through the startup sequence. If an error message appears, a DIMM may have been incorrectly installed.
2. Print a configuration page. See [Using printer information pages](#).
3. Check the Installed Personalities and Options section on the configuration page and compare it with the configuration page printed before the DIMM installation.
4. The DIMM may not be installed correctly. Repeat the installation procedure.

-or-

The DIMM may be defective. Try a new DIMM.

Glossary

bidirectional communication Two-way data transmission.

bin A receptacle for holding printed pages.

BOOTP Abbreviation for “Bootstrap Protocol,” an Internet protocol that a computer uses to find its IP address.

calibration The process in which the printer makes internal adjustments to produce the best print quality.

chooser A Macintosh accessory that you use to select a device.

control panel The area on the printer that contains buttons and a display screen. Use the control panel to set printer settings and to get information about the printer status.

default The normal or standard setting for hardware or software.

DHCP Abbreviation for “dynamic host configuration protocol.” Individual computers or peripherals that are connected to a network use DHCP to find their own configuration information, including the IP address.

DIMM Abbreviation for “dual inline memory module.” A small circuit board that holds memory chips.

duplex A feature that accommodates printing on both sides of a sheet of paper. Also called “2-sided printing.”

EIO Abbreviation for “enhanced input/output.” A hardware interface that is used to add a print server, network adaptor, hard disk, or other plug-in item for HP printers.

Emulated PostScript Software that emulates Adobe PostScript, a programming language that describes the appearance of the printed page. This printer language appears as “PS” in many menus.

EPS Abbreviation for “encapsulated PostScript,” a type of graphics file.

firmware Programming instructions that are stored in a read-only memory unit inside the printer.

font A complete set of letters, numerals, and symbols in a typeface.

fuser The assembly that uses heat to fuse the toner onto the print media.

grayscale Various shades of gray.

halftone pattern A halftone pattern uses differing sizes of ink dots to produce a continuous-tone image such as a photograph.

HP Easy Printer Care Software Software that provides the ability to track and maintain printers from your computer desktop.

HP Jetdirect An HP product for network printing.

HP Web Jetadmin An HP-trademarked Web-based printer control software that you can use on a computer to manage any peripheral that is connected to an HP Jetdirect print server.

I/O Abbreviation for “input/output,” refers to computer-port settings.

IP address The unique number assigned to a computer device that is connected to a network.

IPX/SPX Abbreviation for “internetwork packet exchange/sequenced packet exchange.”

macro A single keystroke or command that results in a series of actions or instructions.

media The paper, labels, transparencies, or other material on which the printer prints the image.

memory tag A memory partition that has a specific address.

monochrome Black and white. Devoid of color.

network A system of computers interconnected by telephone wires or other means in order to share information.

network administrator A person who manages a network.

page buffer Temporary printer memory used to hold page data while the printer creates an image of the page.

PCL Abbreviation for “Printer Control Language.”

peripheral An auxiliary device, such as a printer, modem, or storage system, that works in conjunction with a computer.

personality Distinctive features or characteristics of a printer or printer language.

pixel Abbreviation for “picture element,” the smallest unit of area in an image displayed on a screen.

PJL Abbreviation for “printer job language.”

PostScript A trademarked page-description language.

PPD Abbreviation for “PostScript printer description.”

printer driver A software program that a computer uses to gain access to printer features.

RAM Abbreviation for “random access memory,” a type of computer memory that stores data that can change.

raster image An image composed of dots.

render The process of producing text or graphics.

ROM Abbreviation for “read-only memory,” a type of computer memory that stores data that should not change.

supplies Materials that the printer uses and that must be replaced. Supply items for this printer are the four print cartridges.

TCP/IP An internet protocol that has become the global standard for communications.

toner The fine black or colored powder that forms the image on the printed media.

transfer unit The black plastic belt that transports media inside the printer and transfers toner from the print cartridges onto the media.

tray The receptacle that holds blank paper.

Index

Symbols/Numerics

- 2-sided printing
 - binding options 80
 - control panel settings 80

A

- A4
 - sizes supported 15
- A5
 - sizes supported 15
- accessibility features 6
- accessories
 - ordering 173
- address, printer
 - Macintosh, troubleshooting 164, 166
- auto continue 38
- automatic media sensing 67

B

- B5
 - sizes supported 15
- background printing,
 - troubleshooting 165
- bin
 - locating 7
- both sides, printing on 15, 36
- brightness, control panel display 37
- buttons, control panel 18

C

- cancelling a print request 82
- cardstock
 - printing on 77
 - sizes supported 14
- cartridges
 - features 6
 - status messages 19
 - warranty 179

- cleaning the printer 115
- clearable warnings 38
- color
 - adjusting 102
 - halftone options 102
 - HP ImageREt 2400 100
 - HP ImageREt 3600 100
 - managing 102
 - matching 105
 - print in grayscale 102
 - printed vs. monitor 105
 - sRGB 100
 - using 100
- Color tab settings 72, 75
- colored paper, printing on 76
- configuration page
 - printing 88
- configurations 3
- configuring
 - e-mail alerts 90
- control panel
 - buttons 18
 - display 19
 - display brightness 37
 - language, setting default 40
 - lights 18
 - locating 7
 - menus 21
 - overview 17
 - settings 34
 - shared environments 41
- controlling print jobs 50
- cover pages 71, 74
- covers 74
- custom
 - sizes supported 15
- custom paper sizes
 - driver settings 70

D

- Desktop Printer Utility,
 - troubleshooting 164
- diagnostics menu 33
- DIMMs
 - installing 200
- display, control panel
 - brightness, setting 37
 - language, setting default 40
 - messages 19
- documentation 2
- doors, locating 7
- double-sided printing 15, 36, 79
- downloading software 9
- drivers
 - accessing 11
 - Macintosh, troubleshooting 166
 - presets 74
 - quick sets 69
- Duplex Blank Pages feature 36
- duplex printing 79
- duplexing 15

E

- e-mail alerts
 - configuring 90
- EIO (Enhanced Input/Output)
 - configuring 48
- EIO slot 8
- embedded Web server
 - checking toner level 109
 - ordering supplies 176
 - using 91
 - using to configure alerts 90
- Energy Star compliance 6
- enlarging documents 70
- envelope
 - sizes supported 15
- envelopes

- loading in tray 1 59
- printing on 77
- types supported 14

EPS files, troubleshooting 165, 167

error messages, control panel 19

errors, auto-continuable 38

executive

- sizes supported 15

extended warranty 180

F

FCC regulations 190

features 3, 5

file directory page

- printing 89

first page

- blank 71
- use different paper 71, 74

font list

- printing 89

fonts

- EPS files, troubleshooting 165, 167
- Macintosh, troubleshooting 165

fonts included 5

front door, locating 7

fuser warranty 179

G

glossy paper

- printing on 76
- types supported 14

grayscale printing 102

guides, printer information 2

H

heavy paper

- printing on 77
- types supported 14

HP Easy Printer Care Software

- using 94

HP Easy Printer Care software 12

HP fraud hotline 110

HP Jetdirect print server 5

HP Jetdirect print servers 48

HP JetReady 9

HP LaserJet Tough paper 78

HP Printer Utility, Macintosh 13

HP SupportPack 180

HP Web Jetadmin

- checking toner level 109
- using to configure e-mail alerts 90

HP-UX software 12

I

I/O menu 31

information menu 23

input trays

- configuring 24, 54

IP address

- Macintosh, troubleshooting 164, 166

J

jam recovery 39

jams

- common causes 138
- configuring e-mail alerts 90
- locations 136
- recovery 136

Japanese VCCI statement 196

Jetadmin, HP Web 12

Jetdirect print server 5

K

Korean EMI statement 196

L

labels

- printing on 77
- types supported 14

language, setting default 40

legal

- sizes supported 15

letter

- sizes supported 15

letterhead 78

lights, control panel 18, 19

Linux drivers 10

M

Macintosh

- background printing 165
- drivers, accessing 11
- drivers, troubleshooting 166
- fonts, troubleshooting 165
- problems, troubleshooting 164

USB card, troubleshooting 165, 168

Macintosh, versions supported 9

maintenance agreements 180

manual 2-sided printing 80

manual feed 35

manuals 2

media

- automatic sensing 67

- colored paper 76

- configuring trays 34

- custom sizes, setting 70

- document size, selecting 70

- envelopes 77

- first page 71, 74

- glossy paper 76

- heavy paper 77

- HP LaserJet Tough paper 78

- labels 77

- letterhead 78

- manual feed 35

- pages per sheet 71, 75

- preprinted forms 78

- recycled paper 78

- selecting 52

- sizes supported 15

- transparencies 76

- two-sided printing 15

- types supported 14

memory

- adding 85, 199

- enabling 202

- installing 200

menu map

- printing 88

menus

- diagnostics 33

- I/O 31

- information 23

- paper handling 24

- print quality 27

- printing 25

- resets 31

- system setup 28

messages, control panel 19

multiple pages per sheet 71, 75

N

n-up printing 71, 75

networks

- configuring 45
- control panel use in 41
- default gateway 46
- disabling AppleTalk 47
- disabling DLC/LLC 47
- disabling IPX/SPX 47
- disabling protocols 47
- HP Jetdirect print servers 5
- IP address 45
- ports, locating 8
- software 11
- subnet mask 45

O

- on-site service agreements 180
- on/off switch 8
- operating systems supported 9
- OS/2 drivers 10
- output bin extender 57
- output bins
 - locating 7

P

- pages per sheet 71, 75
- paper
 - colored 76
 - configuring trays 34
 - custom sizes, setting 70
 - document size, selecting 70
 - first page 71, 74
 - glossy 76
 - heavy 77
 - HP LaserJet Tough 78
 - loading in tray 1 56
 - manual feed 35
 - pages per sheet 71, 75
 - recycled 78
 - selecting 52
 - sizes supported 15
 - two-sided printing 15
 - types supported 14
- paper handling menu 24
- paper path test page 154
- pausing a print request 82
- PCL drivers 9
- PDL driver 9
- Personality feature 37
- ports
 - locating 8
 - supported 5

- troubleshooting Macintosh 165, 168
- PostScript Printer Description (PPD) files
 - troubleshooting 164
- power saving. See Sleep Mode feature
- power switch 8
- PPDs
 - troubleshooting 164
- PPDs, Macintosh 13
- preprinted forms 78
- presets 74
- print cartridge
 - authentication 110
 - checking the toner level 108
 - genuine HP 110
 - managing 108
 - non-HP 110
 - replacing 111
 - storing 109
- print cartridges
 - features 6
 - status messages 19
 - warranty 179
- Print Document On 70
- print quality menu 27
- printer driver
 - Services tab 73
- printer drivers 9
- printer information pages 88, 171
- printing menu 25
- printing system software 9
- processor speed 5
- product stewardship program 191
- PS Defer Media feature 35
- PS Emulation drivers 9

Q

- quick sets 69

R

- recycled paper 78
- recycling
 - printer supplies 191
- reducing documents 70
- registration page 154
- regulations
 - FCC 190

- repacking the printer 181
- Replace Supplies setting 39
- resets menu 31
- resizing documents 70

S

- safety statements
 - laser safety 196
 - laser safety for Finland 196
- scaling documents 70
- service agreements 180
- Services tab 73
- settings
 - driver presets 74
 - quick sets 69
- shared environments 41
- shipping the printer 181
- Size/Type Prompt feature 35
- Sleep Delay feature 36
- Sleep Mode feature 36
- software
 - applications 13
 - drivers 9
 - embedded Web server 12
 - HP Easy Printer Care 12
 - HP Web Jetadmin 12
 - included 5
 - network 11
 - Web sites 9
- Solaris software 12
- special situations
 - custom-sized media 82
 - different first page 82
- specifications
 - features 5
 - media sizes supported 15
 - paper types 52
 - paper types supported 14
- statement
 - sizes supported 15
- status, supplies
 - control panel messages 19
 - printer features 6
 - settings 39
- stopping a print request 82
- subnet mask 45
- supplies
 - ordering 173
 - replacement intervals 108
- supplies low

- configuring e-mail alerts 90
- supplies out
 - configuring alerts 90
- supplies status
 - control panel messages 19
 - printer features 6
 - settings 39
- supplies status page
 - printing 88
- SupportPack, HP 180
- system setup menu 28

T

- toner cartridge. See print cartridge
- toner cartridges. See print cartridges
- top cover, locating 7
- tough paper 78
- transfer unit warranty 179
- transparencies
 - printing on 76
 - sizes supported 14
- Tray Behavior menu 34
- trays
 - configuring 34
 - locating 7
 - paper sizes supported 15
 - paper types supported 14
- troubleshooting
 - checklist 118
 - EPS files 165, 167
 - incorrect printer output 162
 - information pages 154
 - jams 136
 - Macintosh problems 164
 - overhead transparencies 170
 - print quality 170
- two-sided printing 15, 36, 79

U

- UNIX model scripts 10
- usage page
 - printing 88
- USB port
 - locating 8
 - supported 5
 - troubleshooting Macintosh 165, 168
- Use Another Tray feature 35
- Use Different Paper/Covers 71

- Use Requested Tray feature 34

W

- warranty
 - extended 180
 - print cartridge 179
 - product 178
 - transfer unit and fuser 179
- watermarks
 - cover page 74
- Web sites
 - documentation 2
 - printer features 5
 - software, downloading 9
- Windows
 - drivers, accessing 11
- Windows, versions supported 9
- wrong printer, sending to 164

© 2005 Hewlett-Packard Development Company, L.P.

www.hp.com



Q5982-90907