

## FPMA-VESA800

## NEOMOUNTS BY NEWSTAR VESA ADAPTER

### SPECIFICATIONS

#### GENERAL

Min. screen size*	27 inch
Max. screen size*	60 inch
Min. weight	0 kg (per screen)
Max. weight	50 kg (per screen)
Screens	1
VESA minimum	600x450 mm
VESA maximum	800x450 mm

#### FUNCTIONALITY

Type	Fixed
Adjustment type	None

#### INFORMATION

Color	Silver
Main material	Steel
Warranty	5 year
EAN code	8717371444167

\*Please note: The inch sizes stated are just an indication, combined with the weight and VESA sizes. The maximum weight and VESA size are absolute restrictions for the products and should not be exceeded.



Neomounts

### Neomounts by Newstar VESA Conversion Strips from VESA 600x450mm to 800x450mm - Silver

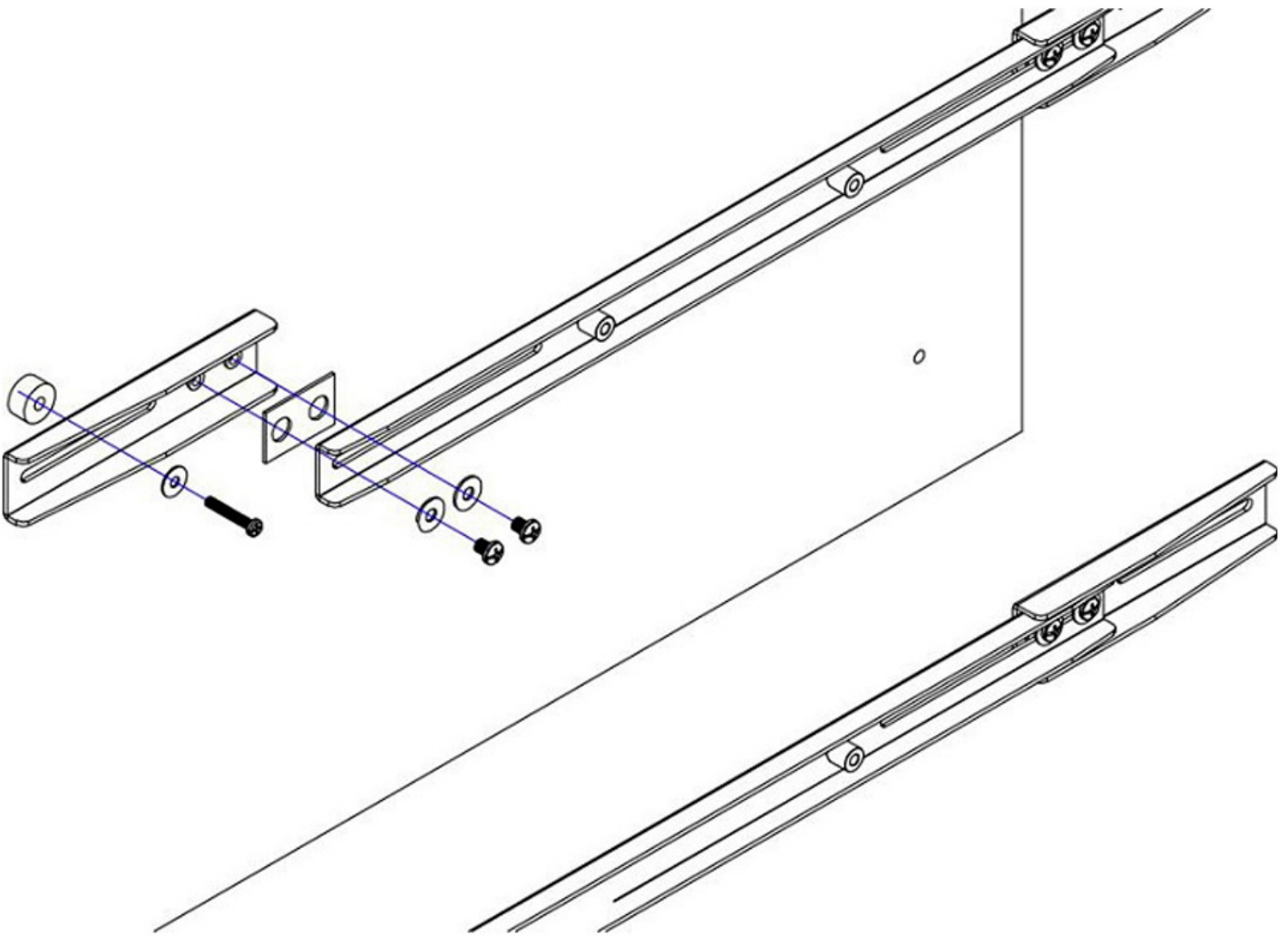
The Neomounts by Newstar VESA adapter, model FPMA-VESA800 allows a VESA mount with 600x450 interface to be used with displays with VESA hole patterns of 800x450 mm. This adapter is made for PLASMA-M1200 and PLASMA-M1800E.

Neomounts by Newstar FPMA-VESA800 is suitable for screens up to 60" (150 cm). The weight capacity of this product is 50 kg each screen. Depth of this adapter is 4 millimetres only. The adapter is suitable for screens that meet VESA hole pattern 800x450 mm. Different hole patterns can be covered using Neomounts by Newstar VESA adapter plates.

All installation material is included with the product.

FPMA-VESA800

NEOMOUNTS BY NEWSTAR VESA ADAPTER



Neomounts