

FortiCam FE120B Mounting Guide



FortiCam FE120B Mounting Guide January 18, 2023

Copyright © 2023 Fortinet, Inc. All rights reserved. Fortinet®, FortiGate®, FortiCare® and FortiGuard®, and certain other marks are registered trademarks of Fortinet, Inc., and other Fortinet names herein may also be registered and/or common law trademarks of Fortinet. All other product or company names may be trademarks of their respective owners. Performance and other metrics contained herein were attained in internal lab tests under ideal conditions, and actual performance and other results may vary. Network variables, different network environments and other conditions may affect performance results. Nothing herein represents any binding commitment by Fortinet, and Fortinet disclaims all warranties, whether express or implied, except to the extent Fortinet enters a binding written contract, signed by Fortinet's General Counsel, with a purchaser that expressly warrants that the identified product will perform according to certain expressly-identified performance metrics and, in such event, only the specific performance metrics expressly identified in such binding written contract shall be binding on Fortinet. For absolute clarity, any such warranty will be limited to performance in the same ideal conditions as in Fortinet's internal lab tests. Fortinet disclaims in full any covenants, representations, and guarantees pursuant hereto, whether express or implied. Fortinet reserves the right to change, modify, transfer, or otherwise revise this publication without notice, and the most current version of the publication shall be applicable.

Technical Documentation
Knowledge Base
Customer Service & Support
Training Services
FortiGuard Document
Feedback

docs.fortinet.com
kb.fortinet.com
support.fortinet.com
training.fortinet.com
fortiguard.com
techdocs@fortinet.com

Table of Contents

Warnings and Cautions.....	4
Mounting the Pendant Cap.....	5-9

Warnings and Cautions

- **Handle the camera carefully**
Do not abuse the camera. The camera can be damaged by improper handling or storage.
- **Do not disassemble the camera**
To prevent electric shock, do not remove screws or covers. There are no user serviceable parts inside. Ask a qualified service person for servicing.
- **Do not operate the camera beyond the specified temperature, humidity or power source ratings**
Use the camera under conditions where temperature is between -30°C - 60°C (-22°F - 144°F), and relative humidity is below 90%.
- **Do not use strong or abrasive detergents when cleaning the camera body**
Use a dry cloth to clean the camera when it is dirty. In case the dirt is hard to remove, use a mild detergent and wipe the camera gently.
- **Never face the camera towards the sun**
Do not aim the camera at bright objects. Whether the camera is in use or not, never aim it at the sun or other extremely bright objects. Otherwise, the camera may be smeared or damaged.

Mounting the Pendant Cap

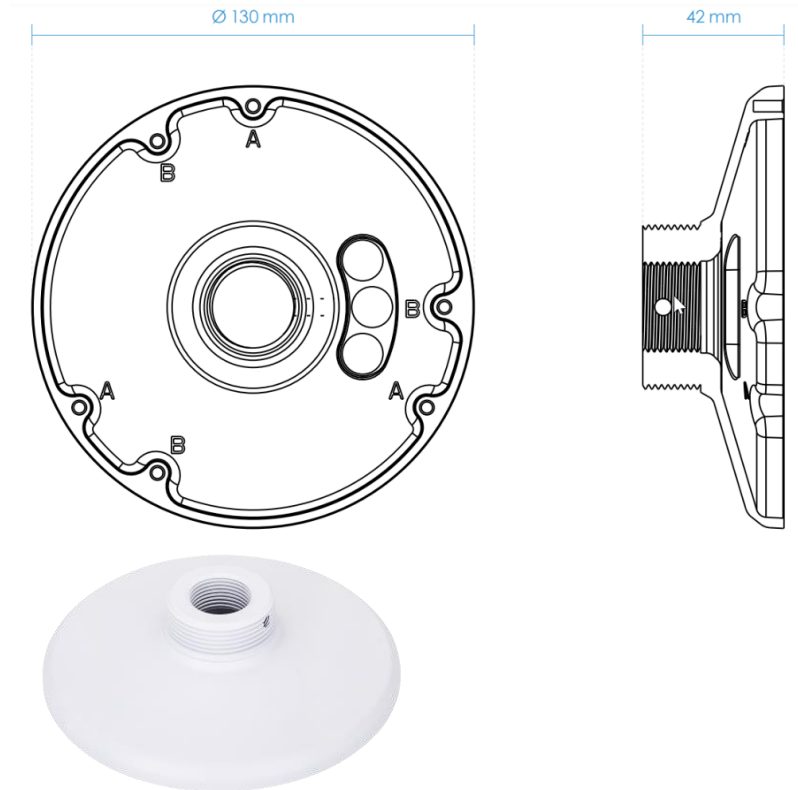
Pendant Cap

FortiCam-FE120B

Camera SKU: FCM-FE120B

Pendant Cap SKU: FCM-FE120B-PCP-4

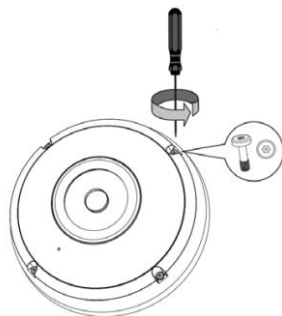
Included: 4x M4 bolts, 4x screws, allen key, 1x waterproof grommet and Ethernet connector push tip, 1x replacement dry pack



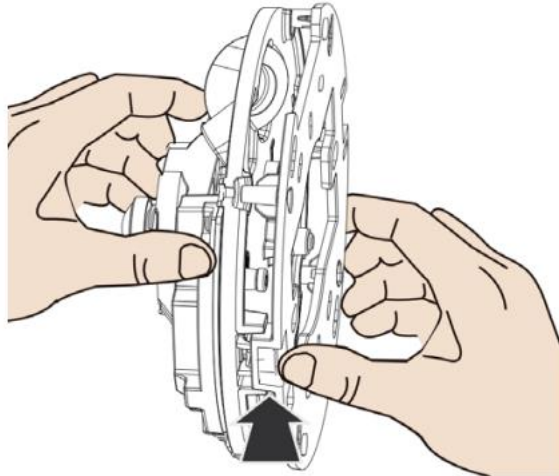
The following instructions detail how to mount to the pendant cap:

Note: More information on the mounting system based on the pendant cap can be found in the [Pendant Cap Mounting Guide](#).

1. Loosen the four screws on the camera to remove the camera's cover.



2. Press the tabs on the sides of the camera to separate the camera from the mounting plate.



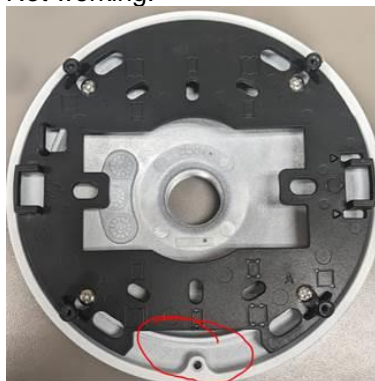
3. Attach the mounting plate to the pendant cap with the supplied machine bolts (M4 x 10mm) using the holes (A).

Note the position of the mounting plate:

Correct:

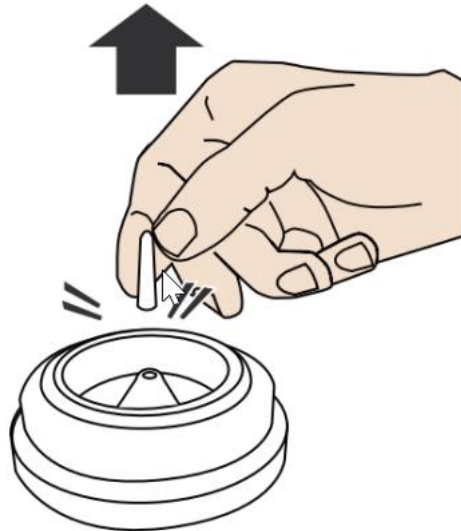


Not working:

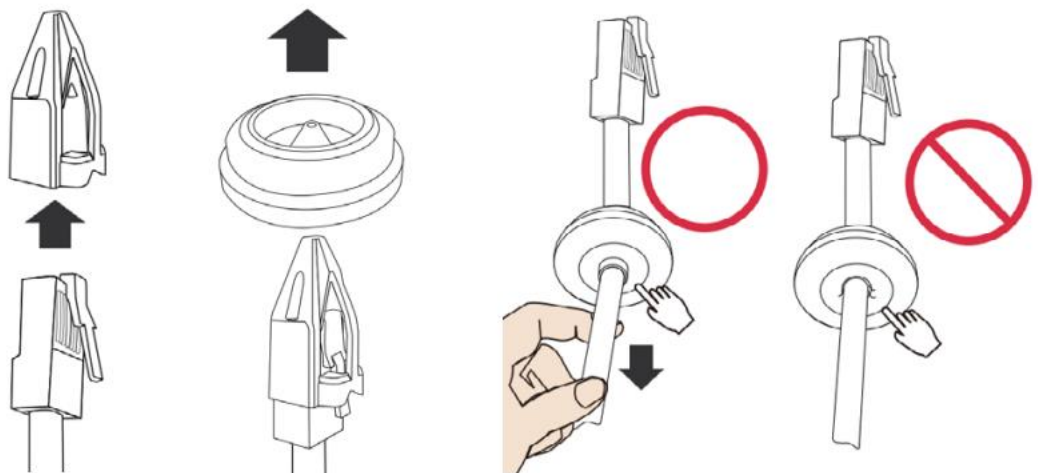


4. Thread the network cable through the pendant cap.

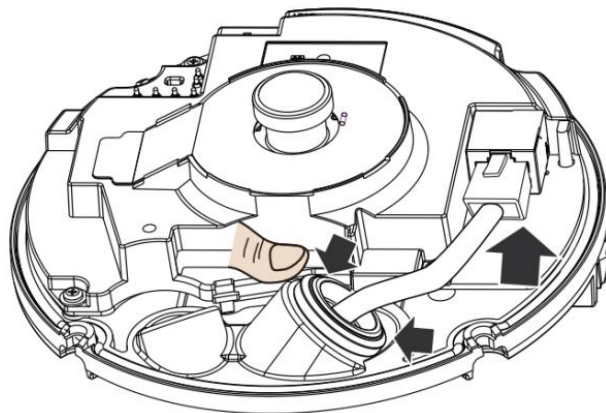
5. Open the small hole in the grommet by pulling the center tip.



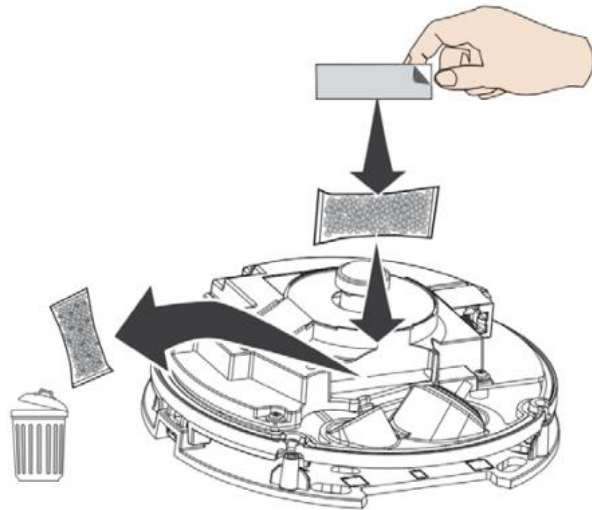
6. Remove the protective cap from the Ethernet cable and use the Ethernet connector push tip to push the Ethernet cable through the grommet, making sure the grommet membrane is folded outwards.



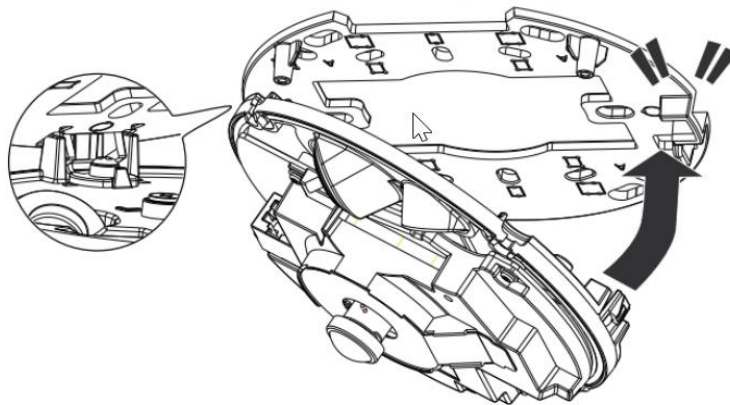
7. Fit the grommet tightly into the camera body and connect the network cable.



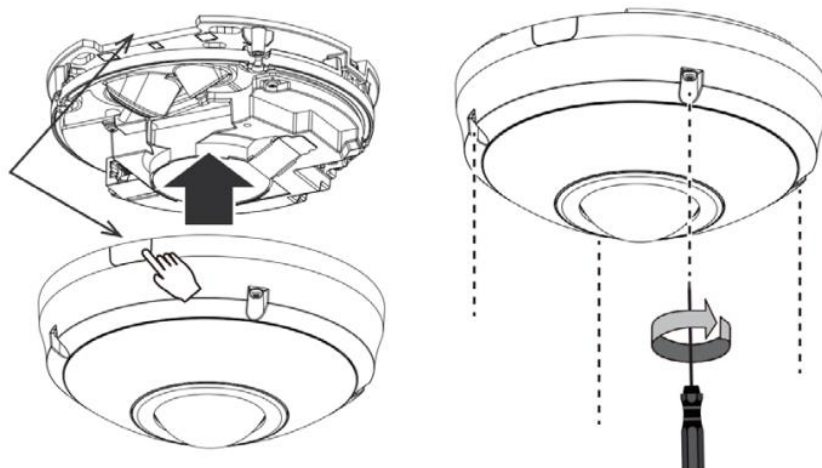
8. Replace the dry pack found inside the camera with the fresh one from the protective pouch in the box. Ensure no moisture gets trapped inside of the camera.



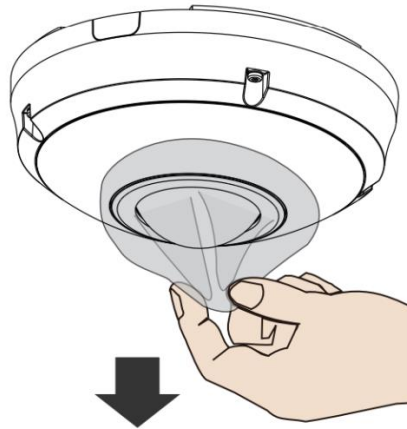
9. Snap the camera onto the mounting plate.

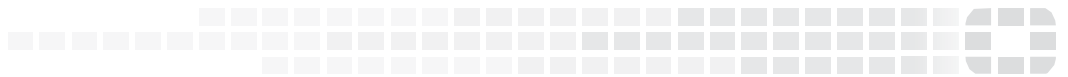


10. Attach the camera's cover and then fasten with the four provided screws.



11. Ensure the inside of the dome cover is free of dust and particles by gently wiping inside the dome cover with a clean lint free cloth or blowing away the dust.
12. Remove the protective covering from the lens after installation.





Copyright© 2023 Fortinet, Inc. All rights reserved. Fortinet®, FortiGate®, FortiCare® and FortiGuard®, and certain other marks are registered trademarks of Fortinet, Inc., in the U.S. and other jurisdictions, and other Fortinet names herein may also be registered and/or common law trademarks of Fortinet. All other product or company names may be trademarks of their respective owners. Performance and other metrics contained herein were attained in internal lab tests under ideal conditions, and actual performance and other results may vary. Network variables, different network environments and other conditions may affect performance results. Nothing herein represents any binding commitment by Fortinet, and Fortinet disclaims all warranties, whether express or implied, except to the extent Fortinet enters a binding written contract, signed by Fortinet's General Counsel, with a purchaser that expressly warrants that the identified product will perform according to certain expressly-identified performance metrics and, in such event, only the specific performance metrics expressly identified in such binding written contract shall be binding on Fortinet. For absolute clarity, any such warranty will be limited to performance in the same ideal conditions as in Fortinet's internal lab tests. In no event does Fortinet make any commitment related to future deliverables, features, or development, and circumstances may change such that any forward-looking statements herein are not accurate. Fortinet disclaims in full any covenants, representations, and guarantees pursuant hereto, whether express or implied. Fortinet reserves the right to change, modify, transfer, or otherwise revise this publication without notice, and the most current version of the publication shall be applicable.