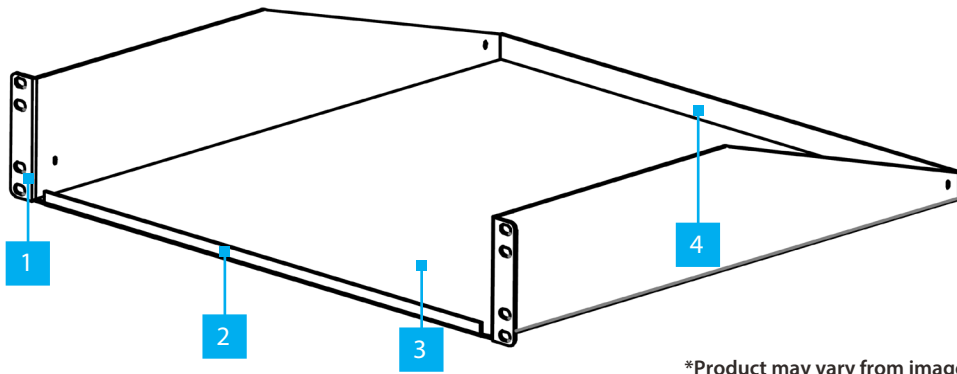


2U 18in Deep Rack Mount Shelf

Product Diagram

CABSHELFHD



*Product may vary from image

Component	Function
1 Front Mounting Brackets	• Attach the Shelf to the Mounting Posts of a Rack
2 Front Lip	• Prevent Server Rack Equipment from sliding off the front of the Shelf Surface
3 Shelf Surface	• Store Server Rack Equipment
4 Rear Lip	• Prevent Server Rack Equipment from sliding off the rear of the Shelf Surface

Package Contents

- 2U Rack Shelf x1
- M6 Screws x8
- M6 Cage Nuts x8
- M6 Plastic Washers x8
- Quick-Start Guide x1

Warnings!

Review the Quick-Start Guide and ensure all instructions are understood prior to installation and use.

Assemble this product according to the installation instructions.

If any package contents items are damaged and/or missing, do not attempt installation. Contact StarTech.com Support immediately.

The weight of any/all added equipment must not exceed the weight capacity of the product. This product is capable of supporting the following weight: 125 lb (56 kg).

Failure to comply with these warnings may result in property damage, bodily injury, and/or damage to the product and/or equipment.

Requirements

For the latest manuals, product information, technical specifications, and declarations of conformance, please visit:

www.StarTech.com/CABSHELFHD

- Phillips Head Screwdriver
- (Optional) Cage Nut Tool

Installation

1. Locate **2U** of **Mounting Space** in a **Rack**.
2. Install the **M6 Cage Nuts** (x8) into the **Cage Nut Holes** (x8), located along the **Mounting Posts** of a **Rack**, using pressure by hand or with a **Cage Nut Tool**.
*Note: If the rack has **M6 Threaded Holes**, skip this step.*
3. Align the **Mounting Holes** in the **Front Mounting Brackets** with the **M6 Cage Nuts/M6 Threaded Holes**, located in the front of the **Rack**.
4. Install the **M6 Screws** (x8) and tighten, using a **Phillips Head Screwdriver**. Ensure the **M6 Screws** (x8) are adequately fastened and the **Shelf** is secure prior to adding any **Equipment**.

Regulatory Compliance

Use of Trademarks, Registered Trademarks, and other Protected Names and Symbols

This manual may make reference to trademarks, registered trademarks, and other protected names and/or symbols of third-party companies not related in any way to StarTech.com. Where they occur these references are for illustrative purposes only and do not represent an endorsement of a product or service by StarTech.com, or an endorsement of the product(s) to which this manual applies by the third-party company in question. StarTech.com hereby acknowledges that all trademarks, registered trademarks, service marks, and other protected names and/or symbols contained in this manual and related documents are the property of their respective holders.

PHILLIPS® is a registered trademark of Phillips Screw Company in the United States or other countries.

Warranty Information

This product is backed by a lifetime warranty.

For further information on product warranty terms and conditions, please refer to www.startech.com/warranty.

Limitation of Liability

In no event shall the liability of StarTech.com Ltd. and StarTech.com USA LLP (or their officers, directors, employees or agents) for any damages (whether direct or indirect, special, punitive, incidental, consequential, or otherwise), loss of profits, loss of business, or any pecuniary loss, arising out of or related to the use of the product exceed the actual price paid for the product. Some states do not allow the exclusion or limitation of incidental or consequential damages. If such laws apply, the limitations or exclusions contained in this statement may not apply to you.



www.quefairedemesdechets.fr

StarTech.com Ltd.
45 Artisans Crescent
London, Ontario
N5V 5E9
Canada

StarTech.com LLP
4490 South Hamilton
Road
Groveport, Ohio
43125
U.S.A.

StarTech.com Ltd.
Unit B, Pinnacle 15
Gowerton Road
Brackmills,
Northampton
NN4 7BW
United Kingdom

StarTech.com Ltd.
Siriusdreef 17-27
2132 WT Hoofddorp
The Netherlands

FR: startech.com/fr
DE: startech.com/de
ES: startech.com/es
NL: startech.com/nl
IT: startech.com/it
JP: startech.com/jp