

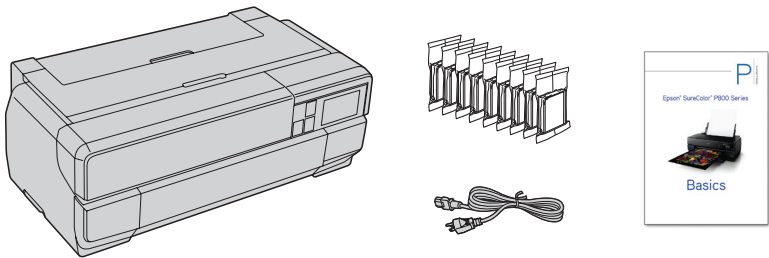
Epson® SureColor® P800 Series

Start Here

Read these instructions before using your product.

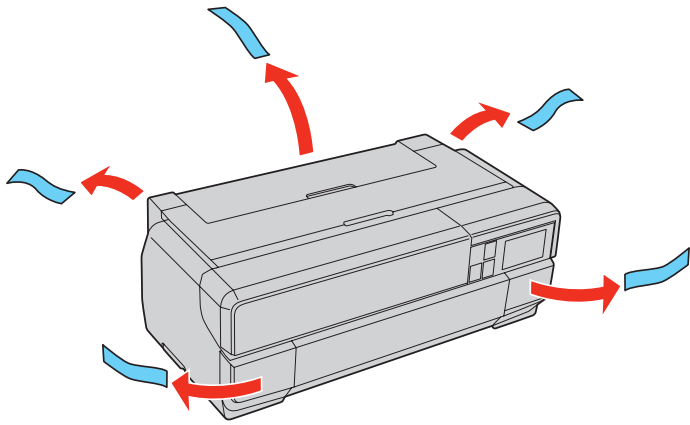
Unpack

- 1 Make sure you have these items:

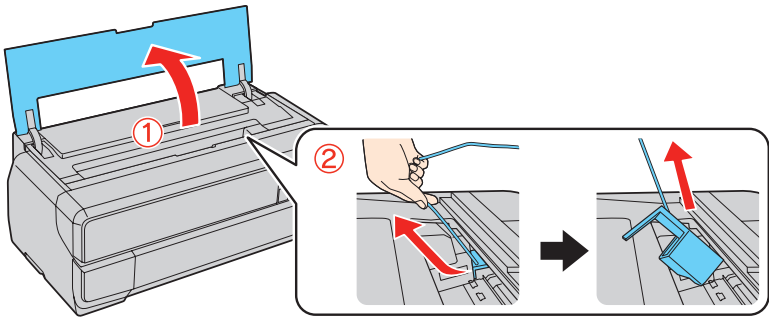


Note: Do not open ink cartridge packages until you are ready to install the ink. Cartridges are vacuum packed to maintain reliability.

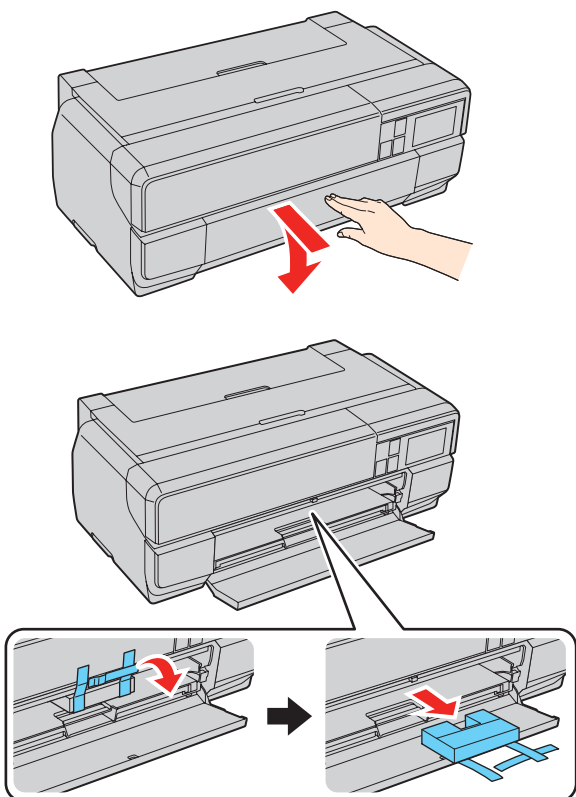
- 2 Remove all the packaging materials and tape.



- 3 Open the top cover and remove any tape and materials inside.

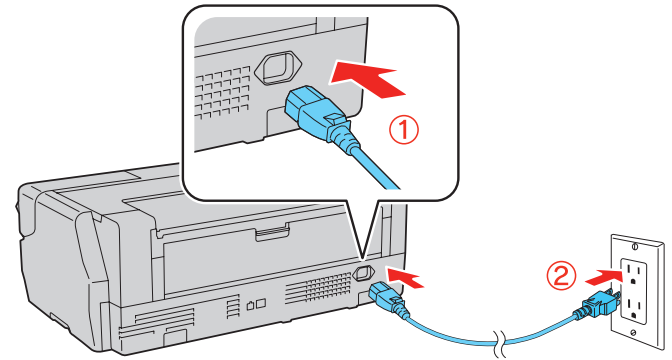


- 4 Press the front cover to open it and remove the transportation lock.



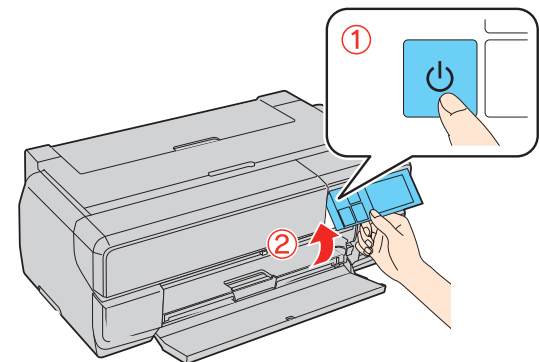
Turn on and configure

- 1 Connect the power cable.



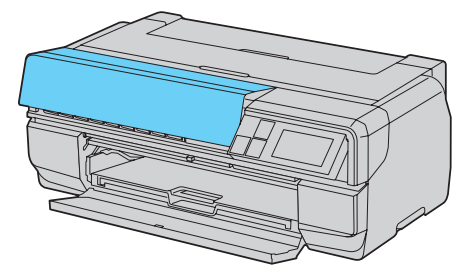
Caution: Do not connect to your computer yet.

- 2 Press the power button and adjust the control panel.



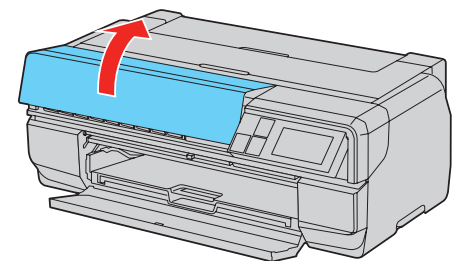
- 3 Select your language.

The ink cartridge cover unlocks automatically. This may take up to 45 seconds.

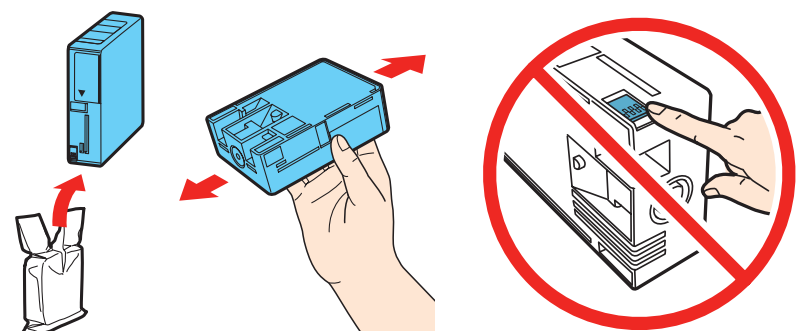


Install ink cartridges

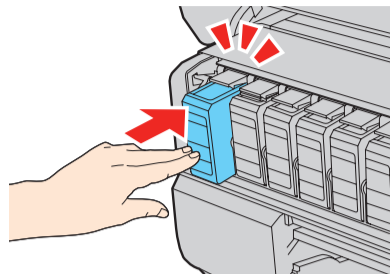
- 1 Open the ink cartridge cover.



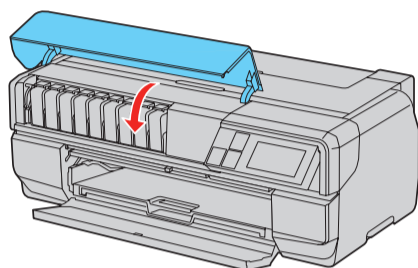
- 2 Shake the ink cartridges gently 4 or 5 times, then unpack them.



- 3** Insert the cartridges in the slot for each color. Push the cartridges in until they click.



- 4** Close the ink cartridge cover.



- 5** The printer begins charging the ink delivery system. This takes about 10 minutes. Do not turn off the printer, load paper, or open any covers until the process is complete.

Note:

- The printer is designed for use with Epson® cartridges only, not third-party cartridges or ink.
- The cartridges included with the printer are designed for printer setup and not for resale. After some ink is used for charging, the rest is available for printing.

Caution: Don't turn off the printer while it is charging or you'll waste ink.

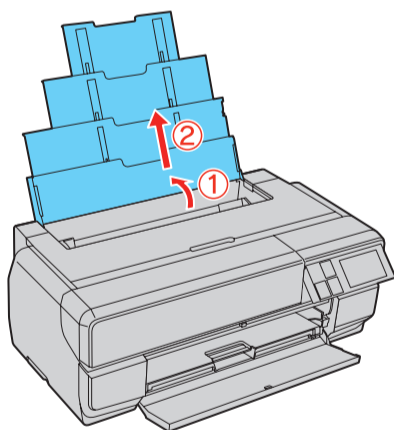
Load paper

Note: For instructions on loading roll paper or thick media, see the *Basics* guide.

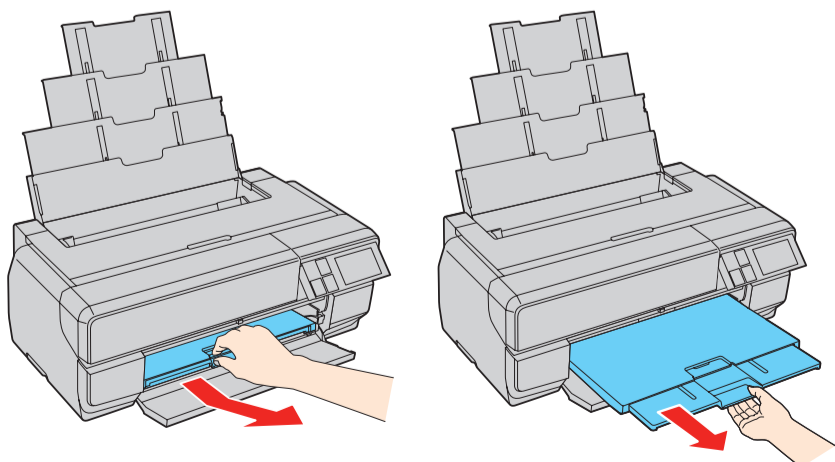
Sheet feeder

You can load plain paper, and most glossy and matte papers, in the sheet feeder.

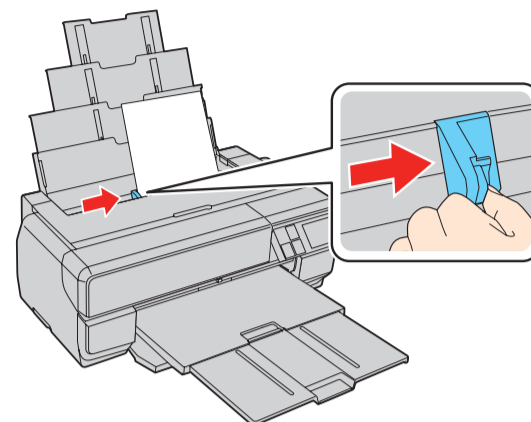
- 1** Open the paper support and pull up the extensions.



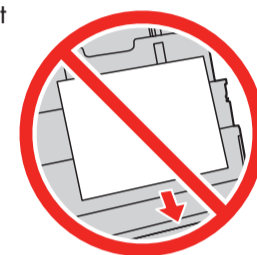
- 2** Press the front cover to open it, if necessary, then fully extend the output tray.



- 3** Insert paper, glossy or printable side up, short edge first, against the right side and beneath the tab. Then press the button on the edge guide and slide it against the paper.



Note: Don't load the paper sideways. Always load it short edge first.



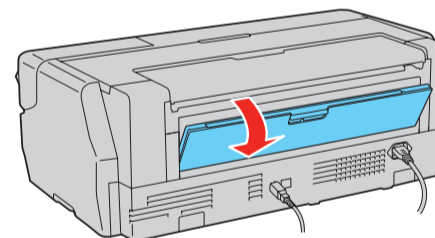
Front manual feed tray

You can print on these fine art media using the front manual feed tray:

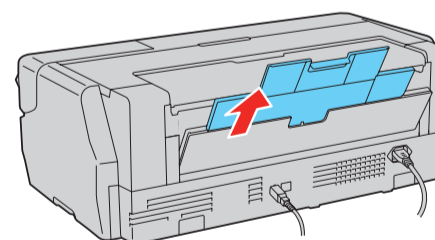
- Epson Velvet Fine Art Paper
- Epson Watercolor Paper Radiant White
- Epson Exhibition Watercolor Paper Textured
- Epson UltraSmooth® Fine Art Paper
- Epson Exhibition Fiber Paper
- Epson Hot Press Bright
- Epson Hot Press Natural
- Epson Cold Press Bright
- Epson Cold Press Natural

- 1** Remove any paper from the sheet feeder and close the paper support and extensions.

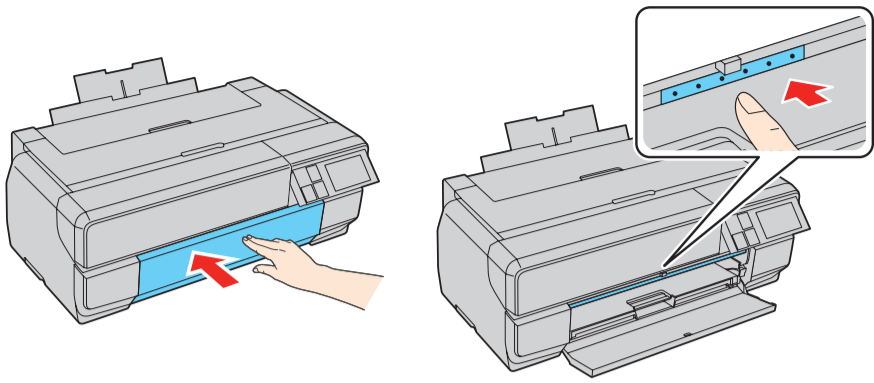
- 2** Open the rear paper support.



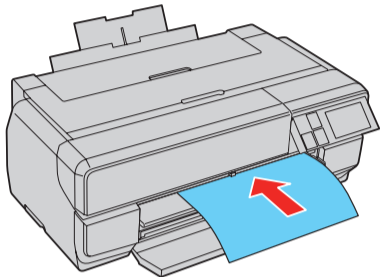
- 3** Fully extend the rear paper support.



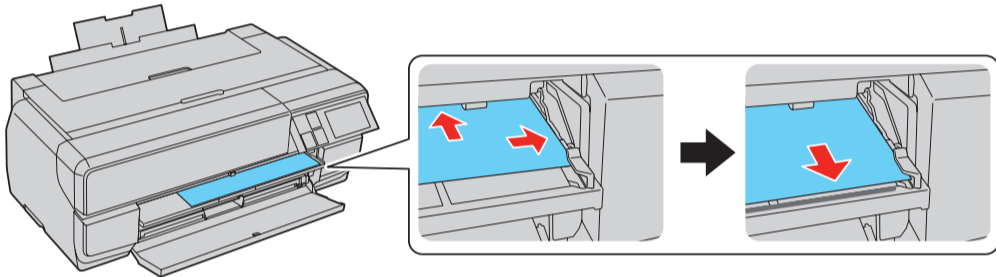
- 4 Press the front cover to open it, then press the center of the manual feed tray to extend it.



- 5 Insert a single sheet of fine art media. Insert it short end first with the printable side faceup.

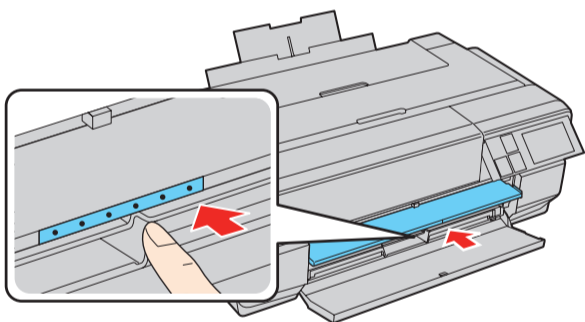


- 6 Feed the paper up to the line on the tray. Make sure the paper is flush against the right, then pull the paper back gently to align it against the edge of the manual feed tray.

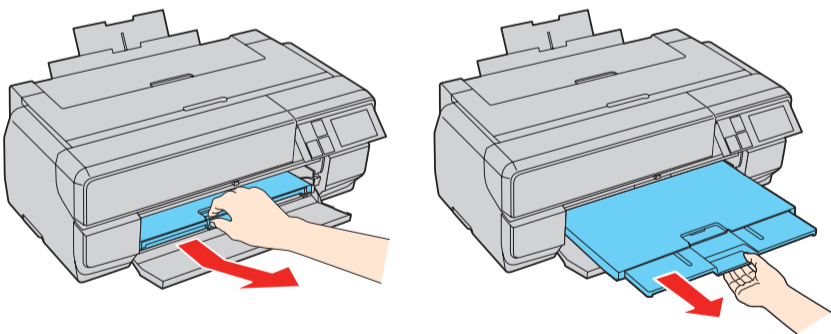


- 7 Press **Load** on the LCD screen. The paper loads into the printer.

- 8 When you see a message on the screen, close the manual feed tray by pushing it in until it latches.



- 9 Fully extend the output tray.

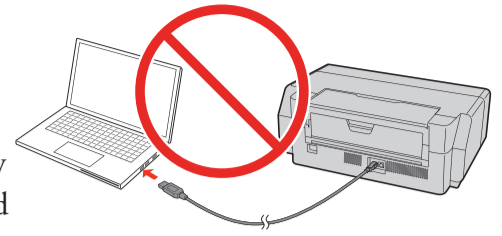


- 10 Select your **Paper Size** and **Paper Type** and press **OK**.

Install Software

Note: An Internet connection is required to obtain the printer software.

- 1 Make sure the printer is **NOT CONNECTED** to your computer.



Windows®: If you see a Found New Hardware screen, click **Cancel** and disconnect the USB cable.

- 2 Download and run your product's software package:

epson.com/support/p800 (U.S.)

epson.ca/support/p800 (Canada)

- 3 Follow the instructions on the screen to run the setup program.

OS X: Make sure you install Software Updater to receive firmware and software updates for your product.

- 4 When you see the Select Your Connection screen, select one of the following:

- **Wireless connection**

In most cases, the software installer automatically attempts to set up your wireless connection. If setup is unsuccessful, you may need to enter your network name (SSID) and password.

- **Direct USB connection**

Make sure you have a USB cable (not included).

- **Wired network connection**

Make sure you have an Ethernet cable (not included).

Mobile printing

To print from a mobile device, your product must be set up for wireless printing or Wi-Fi Direct®. See the online *User's Guide* for instructions.

iOS/Android™



epson.com/iprint

Epson Connect™

Connect wirelessly from your tablet, smartphone, or computer. Print documents and photos from across the room or around the world.

epson.com/connect

Any problems?

Network setup was unsuccessful.

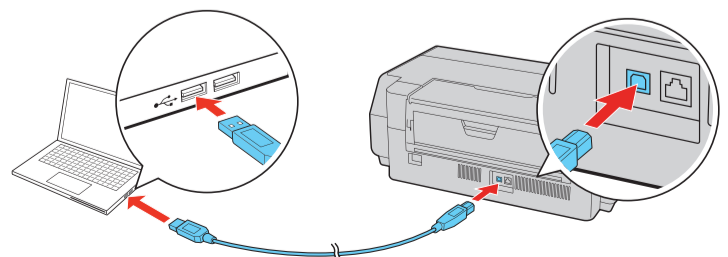
- Make sure you select the right network name (SSID). The product can only connect to a network that supports 2.4 GHz.
- If you see a firewall alert message, click **Unblock** or **Allow** to let setup continue.
- If your network has security enabled, make sure you enter your network password (WEP key or WPA passphrase) correctly. Passwords must be entered in the correct case.

The printer's screen is dark.

Make sure your product is turned on and press any button or touch the screen to wake it from sleep mode.

Setup is unable to find my printer after connecting it with a USB cable.

Make sure the printer is on and securely connected as shown:



Any questions?

Basics

Basic information and troubleshooting.

User's Guide

Windows: Click the icon on your desktop or Apps screen to access the online *User's Guide*.

OS X: Click the icon in **Applications/Epson Software/Guide** to access the online *User's Guide*.

If you don't have a *User's Guide* icon, go to the Epson website, as described in the next section.

Technical support

Visit your product's support website at epson.com/support/p800 (U.S.) or epson.ca/support/p800 (Canada) to view how-to videos, download printer software and utilities, access the online *User's Guide*, get FAQs and troubleshooting advice, or e-mail Epson with your questions.

Call (562) 276-7272 (U.S.) or (905) 709-2567 (Canada), 6 AM to 8 PM, Pacific Time, Monday through Friday, and 7 AM to 4 PM, Pacific Time, Saturday. Days and hours of support are subject to change without notice. Toll or long distance charges may apply.

Recycling

Epson offers a recycling program for end of life hardware and ink cartridges. Please go to epson.com/recycle for information on how to return your products for proper disposal.

Need paper and ink?

Try Epson paper with UltraChrome® HD ink for professional results. You can purchase them at Epson® Supplies Central® at www.epson.com/ink3 (U.S. sales) or www.epson.ca (Canadian sales). You can also purchase supplies from an Epson authorized reseller. To find the nearest one, call 800-GO-EPSON (800-463-7766).



Genuine Epson paper

Epson offers a wide variety of papers to meet your needs; visit Epson Supplies Central for more information.



Ultra Premium Photo Paper Luster

Instant-drying RC photo paper for vivid, lifelike images that rival those of traditional silver halide prints. Its semigloss "E" surface and 10 mil thickness provide a true photographic look and feel.



Epson SureColor P800 Series replacement ink cartridges



Color	Part number
● Photo Black	T8501
● Cyan	T8502
● Vivid Magenta	T8503
● Yellow	T8504
● Light Cyan	T8505
● Vivid Light Magenta	T8506
● Light Black	T8507
● Matte Black	T8508
● Light Light Black	T8509

EPSON, UltraChrome, Signature Worthy, Supplies Central, and SureColor are registered trademarks, Epson Connect is a trademark, and EPSON Exceed Your Vision is a registered logomark of Seiko Epson Corporation.

UltraSmooth is a registered trademark and Designed for Excellence is a trademark of Epson America, Inc.

Mac and OS X are trademarks of Apple Inc., registered in the U.S. and other countries.

Android is a trademark of Google Inc.

Wi-Fi Direct® is a registered trademark of Wi-Fi Alliance®.

General Notice: Other product names used herein are for identification purposes only and may be trademarks of their respective owners. Epson disclaims any and all rights in those marks.

This information is subject to change without notice.

© 2015 Epson America, Inc., 4/15

Printed in U.S.A.