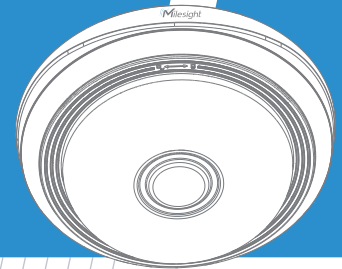




QUICK START GUIDE

MS-C5321-FPE



User Manual



Smart Tools

Milesight | *Make Sensing Matter*

📄 Milesight IoT Co., Ltd. 🌐 www.milesight.com

Table of Content

1. Package Contents.....	2
2. Hardware Overview.....	3
3. Dimensions.....	6
4. Installation.....	7
5. Assigning an IP Address by Using Smart Tools.....	16
6. Assigning an IP Address via Browser.....	17
7. Accessing from the Web Browser.....	17
8. Accessing via Wi-Fi	18
9. FCC Statement	20

1. Package Contents



4x5MP AI Multi-directional Network Camera x 1



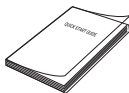
T20 Screwdriver Bit x 1



Multi-Interface Cable



Expansion Screw x4



Quick Start Guide x 1



Warranty Card x 1

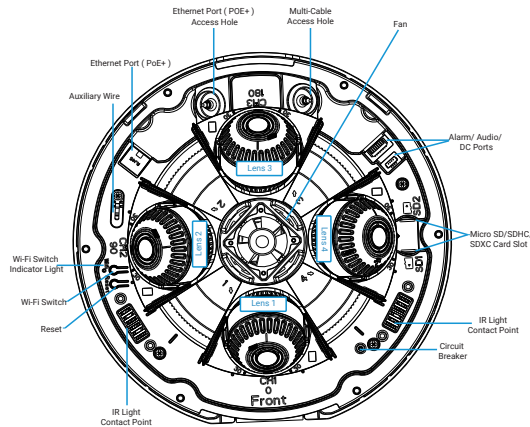


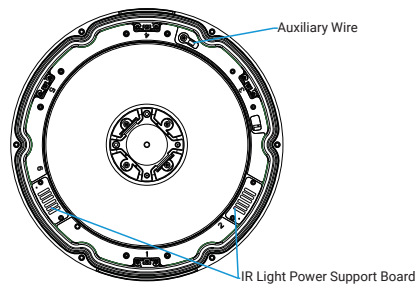
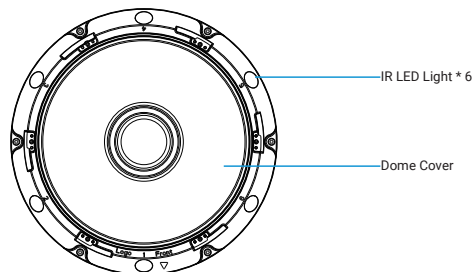
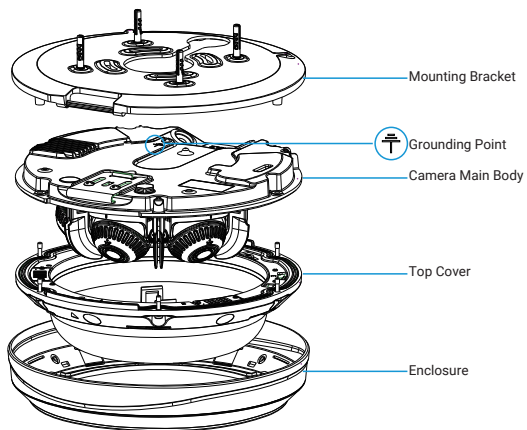
Grommet x 2



Attachment for the Conduit x 1

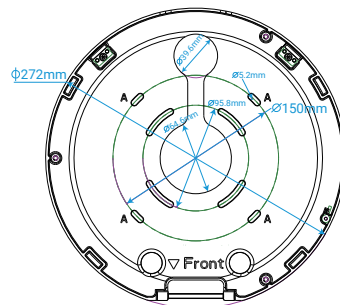
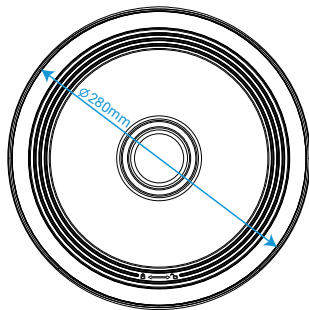
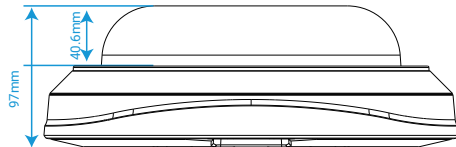
2. Hardware Overview





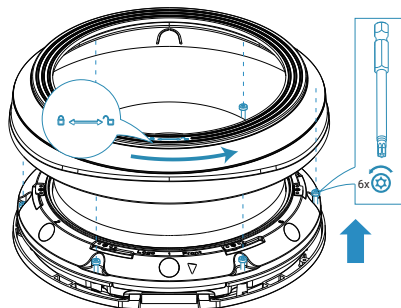
3. Dimensions

MS-C5321-FPE

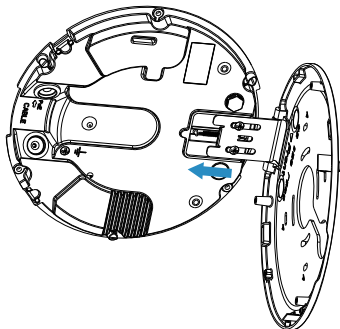
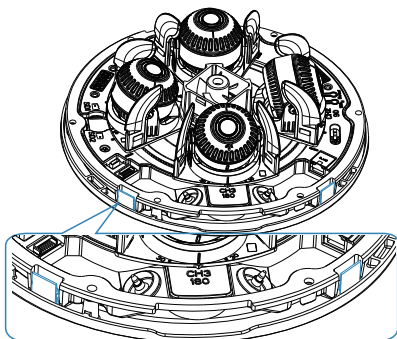


4. Installation

Step1: First, remove the enclosure by rotating it, then unscrew the six screws, lift off the top cover.

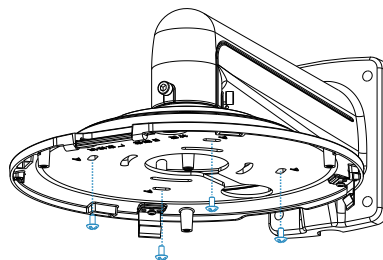
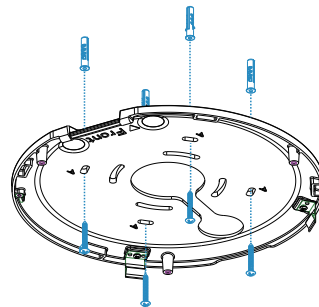


Step2: Open the two mounting clips on the camera's main body, then push the spring latch on the other side forward to remove the mounting bracket.



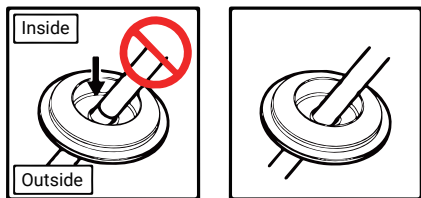
Step3: Secure the mounting bracket to its corresponding mounting position by using expansion bolts.

Wall Mount (A44) are available for installation.

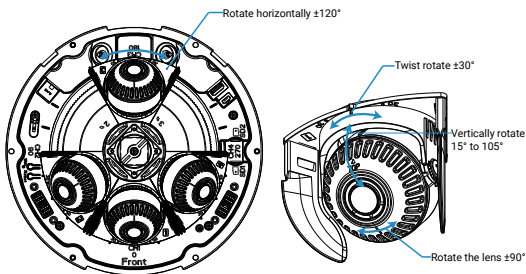


Note:

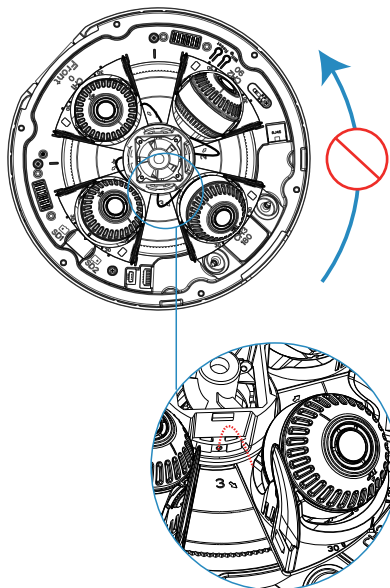
The grommet should be pulled from the outside to the inside to ensure its waterproof and airtight properties.



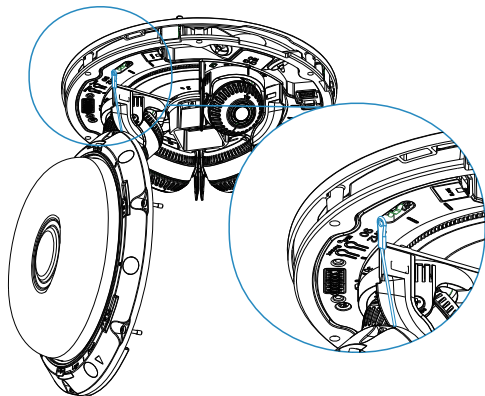
Step6: After completing the installation of the camera main body, you can adjust the lens to the appropriate angle. By rotating the camera main body, it can achieve a horizontal pivot of $\pm 120^\circ$. Twisting the lens body horizontally allows for a swivel of $\pm 30^\circ$. Vertical adjustments enable a tilt range from 15° to 105° . Moreover, the lens can rotate $\pm 90^\circ$ through twisting.

**Note:**

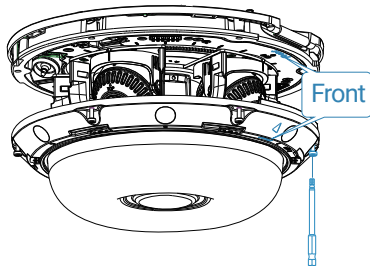
When rotating the lens horizontally, please avoid continuously turning it in one direction, as this may cause the cord on the lens to break.



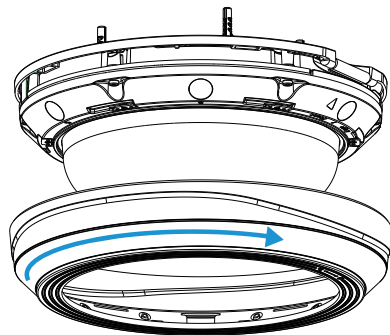
Step7: Hang the top cover onto the auxiliary wire, then tighten the screws to secure the top cover in place.



Note: It is recommended to apply a torque of approximately **1.2 N.m**.

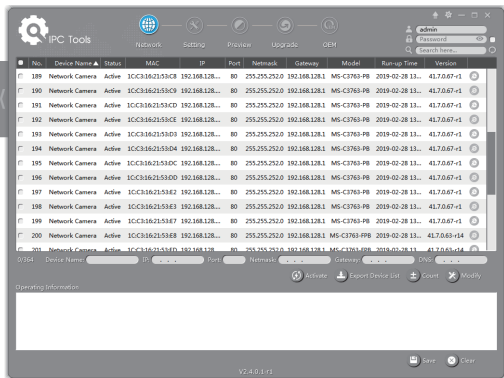


Step8: By rotating to secure the enclosure, then camera installation is completed.



5. Assigning an IP Address by Using Smart Tools

Smart Tools is a software tool which can automatically detect multiple online Milesight network cameras in the LAN, set IP addresses, and manage firmware upgrades. It's recommended to use when assigning IP addresses for multiple cameras.



The steps to change the IP of cameras are as below:

- 1) Start Smart Tools, click the IPC Tools page, then enter the device information, such as IP address, MAC address, Port number, Netmask, and Gateway, then all related Milesight network cameras in the same network that will be shown.
- 2) Select a camera or multiple cameras according to the MAC addresses.
- 3) Click "Activate" to set the password when using the cameras for the first time (Password must be 8 to 32 characters long, contain at least one number and one letter), and set three security questions (If you forget the password, you can reset the password by answering three security questions correctly).
- 4) Type the user name and password you set, change the IP address or other network values, and then click "Modify" button.
- 5) By double clicking the selected camera or the browser of interested camera, you can access the camera via a web browser directly.

For more usage of Smart Tools, please refer to the "[Smart Tools User Manual](#)".

6. Assigning an IP Address via Browser

If the network segment of the computer and that of the camera are different, please add some 192.168.5.xx(255.255.255.0) for your PC to get access to your cameras, more details can be found on "[Milesight Network Camera Quick Start](#)".

7. Accessing from the Web Browser

The camera can be used with the most standard operating systems and browsers. The recommended browsers are Internet Explorer, Firefox, Chrome, Safari. More information about the plugin installation, please refer to the troubleshooting:

5. Milesight-Troubleshooting-Plugin Installation on Windows-IPC
6. Milesight-Troubleshooting-Plugin Installation on MAC

8. Accessing via Wi-Fi

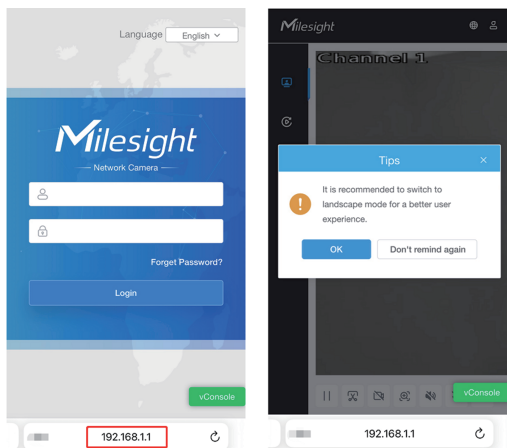
Step1: Power on the camera, and when it's successfully powered, the light on the RJ45 interface will blink orange.

Step2: The Wi-Fi of device is automatically enabled when the device is powered on, you can toggle the Wi-Fi function using the Wi-Fi switch.

Step3: Use the mobile devices or laptop to connect the device's Wi-Fi.

Step4: Enter the default IP address 192.168.1.1 in the browser to login to the web page of the Device and configure the device.

Step5: When accessing the camera for the first time, activation and account password setup are required.



Note:

1. When the Wi-Fi is being powered on, the Wi-Fi switch indicator light in front of the device will illuminate green.
2. And When the Wi-Fi is turned off, the Wi-Fi switch indicator light will not be illuminated.
3. The Wi-Fi name is MS-C5321-FPE_xxxxxx (xxxxxx is the last six bits of the MAC address).
4. The default Username is **admin** and the Password is empty.

9. FCC Statement

Any changes or modifications not expressly approved by the party responsible for compliance could void the user's authority to operate the equipment. This device complies with part 15 of the FCC Rules. Operation is subject to the following two conditions:

1. This device may not cause harmful interference.
2. This device must accept any interference received, including interference that may cause undesired operation.

Note: This equipment has been tested and found to comply with the limits for a Class B digital device, pursuant to part 15 of the FCC Rules. These limits are designed to provide reasonable protection against harmful interference in a residential installation. This equipment generates, uses and can radiate radio frequency energy and, if not installed and used in accordance with the instructions, may cause harmful interference to radio communications. However, there is no guarantee that interference will not occur in a particular installation. If this equipment does cause harmful interference to radio or television reception, which can be determined by turning the equipment off and on, the user is encouraged to try to correct the interference by one or more of the following measures:

1. Reorient or relocate the receiving antenna.
2. Increase the separation between the equipment and the receiver.
3. Connect the equipment into an outlet on a circuit different from that to which the receiver is connected.
4. Consult the dealer or an experienced radio/TV technician for help.

FCC Radiation Exposure Statement:

This equipment complies with FCC radiation exposure limits set forth for an uncontrolled environment. This equipment should be installed and operated with a minimum distance of 20cm between the radiator & your body. This transmitter must not be co-located or operating in conjunction with any other antenna or transmitter.