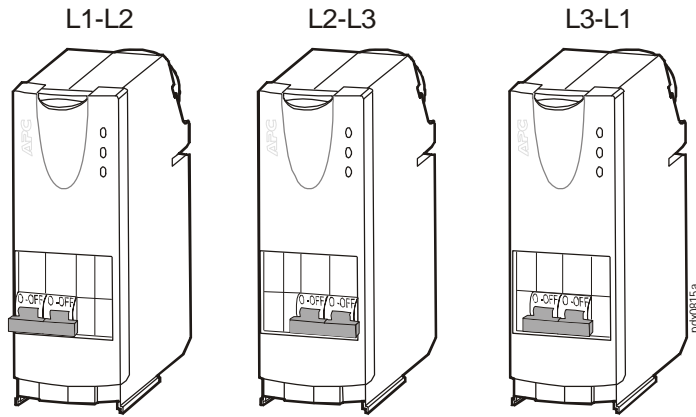


Installation

Power Distribution Unit with L6-30 Output



L1-L2	L2-L3	L3-L1
PDM2330L6-12-380	PDM2330L6-23-380	PDM2330L6-31-380
PDM2330L6-12-500	PDM2330L6-23-500	PDM2330L6-31-500
PDM2330L6-12-620	PDM2330L6-23-620	PDM2330L6-31-620
PDM2330L6-12-740	PDM2330L6-23-740	PDM2330L6-31-740
PDM2330L6-12-860	PDM2330L6-23-860	PDM2330L6-31-860
PDM2330L6-12-980	PDM2330L6-23-980	PDM2330L6-31-980
PDM2330L6-12-1200	PDM2330L6-23-1200	PDM2330L6-31-1200
PDM2330L6-12-1400	PDM2330L6-23-1400	PDM2330L6-31-1400
PDM2330L6-12-1680	PDM2330L6-23-1680	PDM2330L6-31-1680

NOTE: Install one module from each column (in the table above) in the same PDU cabinet to balance the load among the phases.

Important Safety Information

⚠️ ⚠️ DANGER

HAZARD OF ELECTRIC SHOCK

- Electrical equipment must be installed, operated, serviced, and maintained only by qualified personnel.
- To remove a Power Distribution Module:
 - Turn off all power supplying the equipment and perform appropriate lockout/tagout procedures before installing or removing the Power Distribution Module.
- OR
- If a Symmetra PX UPS is providing power to the Modular PDU, place the UPS into battery operation (to reduce fault current) before removing the Power Distribution Module. To place the UPS into battery operation, see the UPS Operation Manual.
- The PDU must be installed in accordance with the National Electrical Code or the Canadian Electrical Code and all applicable local codes.

Failure to follow these instructions will result in death or serious injury.

Unpack the Power Distribution Module (PDM)

- 1 Remove the PDM from its carton.
- 2 Cut the cable ties and unwind the power cable.

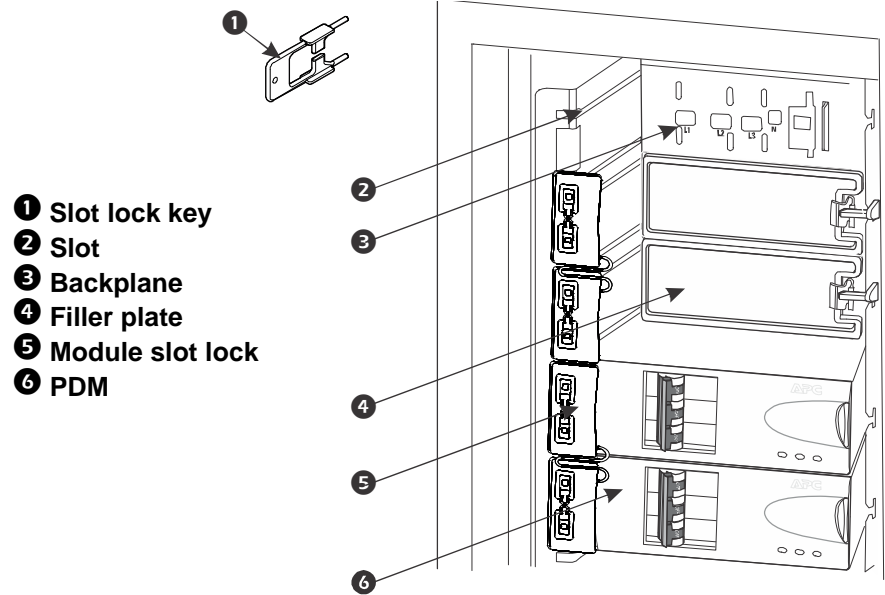
Install the PDM

NOTICE

- Install only Schneider Electric PDMS with matching output voltage.
- Install PDMS starting from the bottom of the panel to avoid cable congestion.
- Save filler plates for future re-use. If a module is removed, a filler plate must be installed to cover the open module position.

Factory installed filler plates and slot locks cover each module position.

Component identification



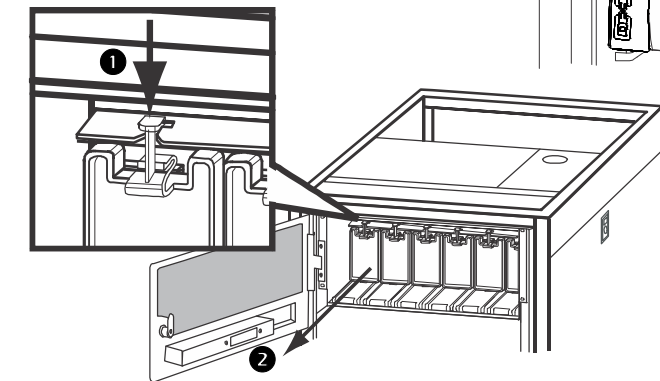
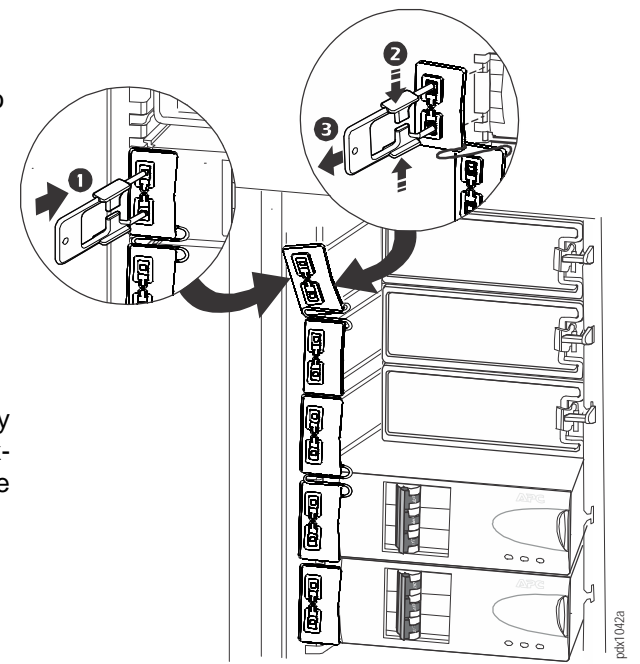
NOTE: Two slot locks are attached together as a pair. As shown in the illustration, the lock which was removed from its slot remains attached to the installed lock below it.



Remove the slot lock

Use the key (provided) to remove the slot lock.

- 1 Insert the key in the slot lock as shown.
- 2 Squeeze the sides of the key inward to grasp the slot lock firmly.
- 3 Pull the slot lock key while squeezing to extract the lock from the slot.



Remove the filler plate

- 1 Press down on the clip.
- 2 Pull the plate from the PDU.

08/2015

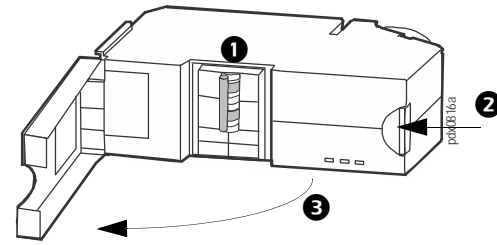
990-4376C

© 2015 Schneider Electric, S.A.S. All rights reserved.

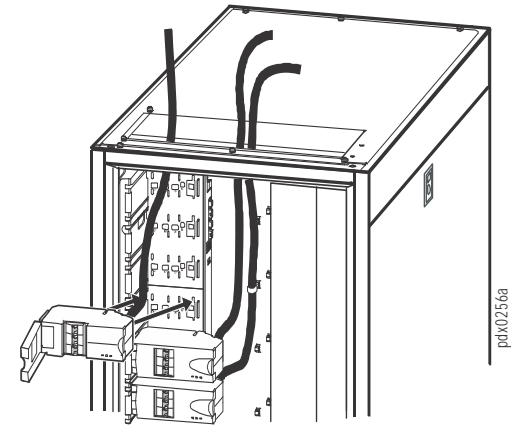
Install the PDM

- 1 Verify that all PDM circuit breakers are in the OFF position.
- 2 Press the red button to release the latch.
- 3 Pull open the latch.

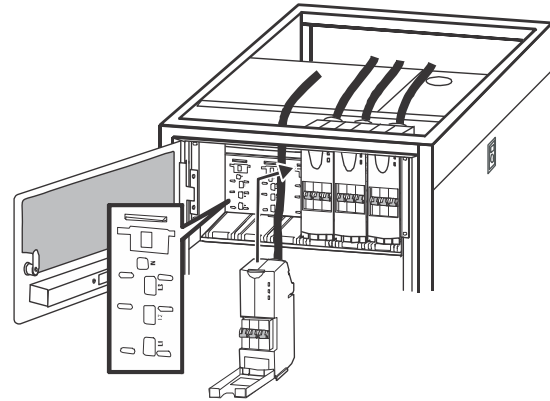
NOTE: Use one module of each type in the PDU cabinet to balance the load.



Vertical Rack Distribution Panel



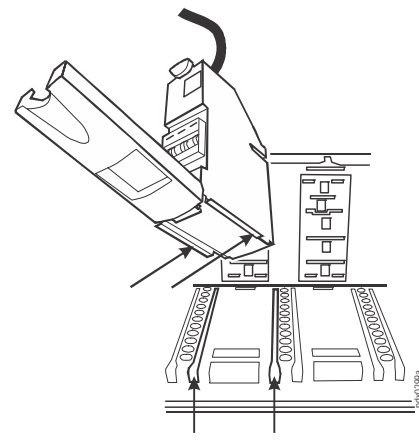
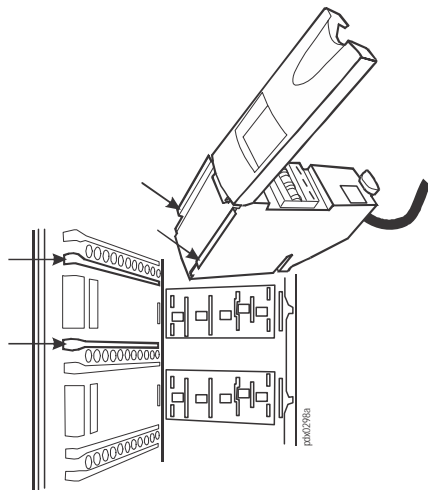
Horizontal Rack Distribution Panel



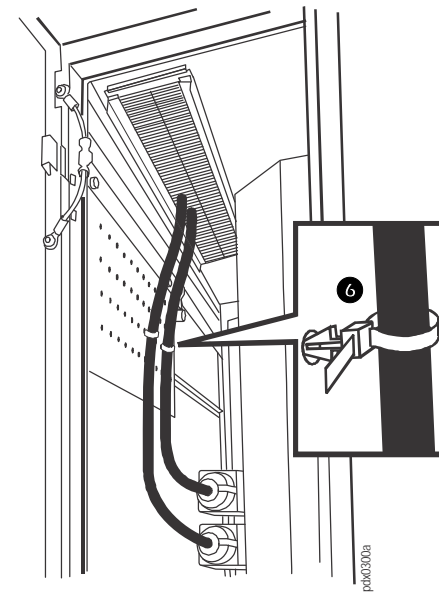
- 5 Slide the PDM all the way into the slots. Close the latch to secure the module in position.

Vertical Rack Distribution Panel

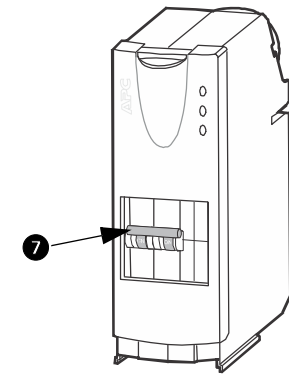
Horizontal Rack Distribution Panel



- 6 Vertical Rack Distribution Panels Only: Use plastic ties to secure loose cable(s) to the enclosure.



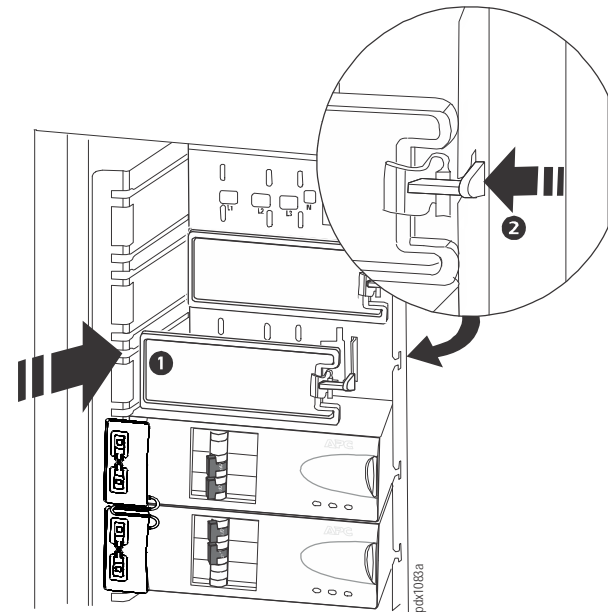
- 7 Turn the PDM circuit breakers ON.



Install filler plates

Install filler plates to cover all positions not occupied by a PDM.

- 1 Position the filler plate in front of an open PDM location and insert the bottom tab of the filler plate into the slot.
- 2 Snap the filler plate into position. Check that the latch is secure.



Install a slot lock

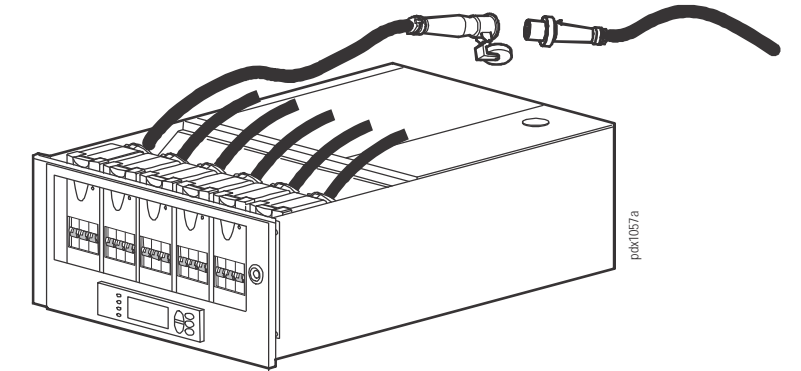
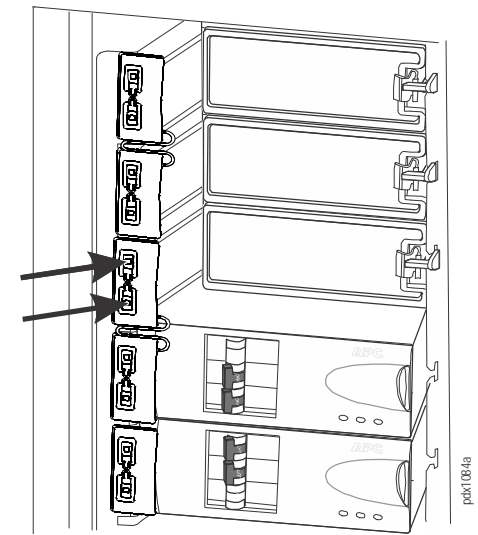
NOTE: A slot lock must be installed in each module space whether filled by a module or filler plate.

Press the slot lock into the slots as shown in the illustration. The key is not required for installation.

NOTE: Upon completion of PDM installation, close the door to the PDU.

Connect Module cables

Connect the PDM cable to the appropriate Rack PDU or other equipment.



NOTE: Power can be restored to the PDU following connection of the PDM cables to the load.

Remove a PDM

⚠ ⚠ DANGER

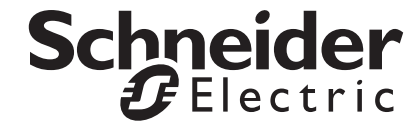
HAZARD OF ELECTRIC SHOCK

- Electrical equipment must be installed, operated, serviced, and maintained only by qualified personnel.
- To remove a Power Distribution Module:
 - Turn off all power supplying the equipment and perform appropriate lockout/tagout procedures before installing or removing the Power Distribution Module.
 - OR
 - If a Symmetra PX is providing power to the Modular PDU, place the UPS into battery operation (to reduce fault current) before removing the Power Distribution Module. To place the UPS into battery operation, see the UPS Operation Manual.
- The PDU must be installed in accordance with the National Electrical Code or the Canadian Electrical Code and all applicable local codes.

Failure to follow these instructions will result in death or serious injury.

Before removal, verify that all circuit breakers on the PDM are in the OFF position.

Reverse the module installation procedure to remove a PDM.



Installation

Power Distribution Unit with L6-30 Output