

Built TUF

ASUS innovations

- **Space-grade lubricant** brings the durability of dual ball bearings to quieter sleeve bearing designs.
- **IP5X dust resistance** offers protection from particle ingress for better durability.
- **MaxContact Technology** allows 2X more contact with the GPU chip for improved thermal transfer.
- A **protective backplate** secures components during transportation and installation.
- **144-hour validation program** puts cards through a series of stringent tests to ensure compatibility with the latest games.
- **Super Alloy Power II** includes premium alloy chokes, solid polymer capacitors, and an array of high-current power stages.
- **GPU Tweak II** provides intuitive performance tweaking, thermal controls, and system monitoring.
- Free 1-year premium **XSplit Gamecaster** and Six-month **WTFast** premium license.

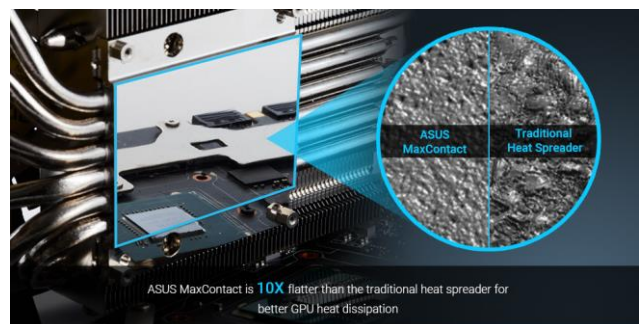
Space-grade Lubricant

A new lubricant allows these sleeve bearings to deliver a quieter acoustic profile than dual ball bearing designs and match their durability.



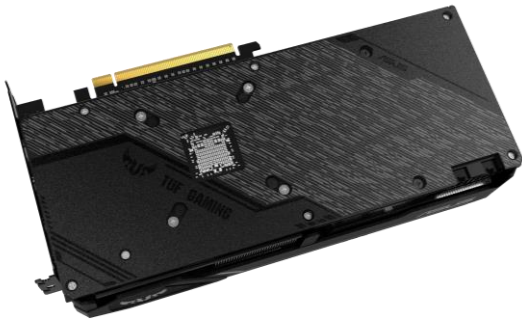
MaxContact Technology

The heat spreader makes up to 2x more contact with the GPU chip for improved thermal transfer.



Protective Backplate

A rigid backplate prevents PCB flex and trace damage.



Subtle Lighting

The shroud features a subtle illuminated strip that creates a stylish accent for your build.



144-hour Validation Program

A series of stringent tests ensure compatibility with the latest games.



Software Suite

Tweak performance with GPU Tweak II, stream games with XSplit Gamecaster, get a better connection to game servers with wtfast, and earn passive income with Quantumcloud.



Free 1-year premium XSplit Gamecaster (USD 99.95 /yr). Six-month wtfast premium license* —a USD\$53.95 value —to let user enjoy online gaming that's free from lag, latency and lost packets.

ASUS Features



- **OC Edition**
~1980 MHz GPU boost clock in OC mode for outstanding gaming experience



- **8GB GDDR6**
Provides ample storage for the detailed textures, meshes, and effects of modern games.



- **Auto-Extreme Technology**
An automated manufacturing process that enhances reliability.

AMD Features



- **FreeSync**
Offers stutter-free and tear-free gaming.

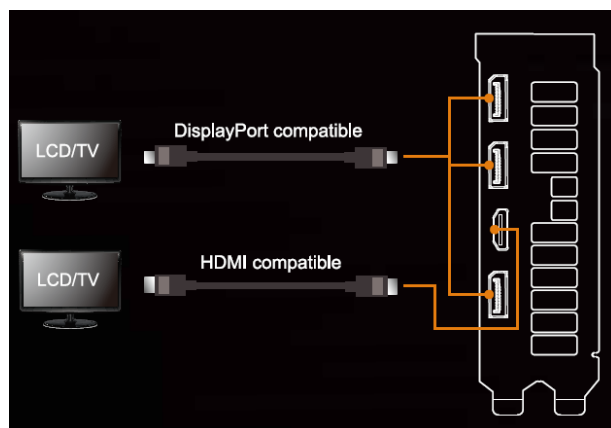


- **FreeSync2 HDR**
Meticulous monitor certification process to ensure exceptional visual experiences.



- **PCI Express 4.0**
Enables two times the bandwidth compared to PCI Express 3.0. Get ready for the next generation of PC gaming.

I/O Specifications



Specifications

Model name	TUF 3-RX5700XT-O8G-GAMING
Graphics Engine	AMD RADEON™ RX5700 XT
Stream Processors	2560
OpenGL	OpenGL® 4.6
Engine Clock	OC mode: ~1980 MHz (Boost frequency) / 1870 MHz (Game frequency*) / 1730 MHz (Base frequency) Gaming mode: ~1905 MHz (Boost frequency) / 1795 MHz (Game frequency*) / 1650 MHz (Base frequency)
Memory Interface	256-bit
Video Memory	8GB GDDR6
Memory Clock	14Gbps
Power Connector	1x 8 pin + 1x 6 pin
I/O	1x Native HDMI 2.0b 3x Native DisplayPort 1.4
HDCP compliant	HDCP 1.4 and 2.3
Digital Max Resolution	7680 x 4320
Maximum Display Support	6
Crossfire Support	Yes**
Recommended PSU	600 W
Bus Standard	PCIe 4.0
What's in the box	1 x Speedsetup Manual
Slot	2.7 slot
Dimension	
Card Size (cm/inch)	26.9 x 12.5x 5.4 cm 10.6 x 5x 2.1 inch
Color Box (mm)	405 x 233 x 88.5 mm
Weight	
Single Card (KG)	0.96
Product Weight (with packing) (KG)	1.74
Note	<p>*Game Frequency is the expected GPU clock when running typical gaming applications, set to typical TGP (Total Graphics Power). Actual individual game clock results may vary.</p> <p>**Crossfire support with DX12 and Vulkan only.</p> <p>All specifications are subject to change without notice. Please check with your supplier for exact offers. Products may not be available in all markets. If you do not use the latest and current specifications of ASUS products, you shall be liable for all loss and damage claimed by third party to ASUS based on false advertising or any other issues caused from using false specifications of ASUS products.</p>

