

APC™ Smart-UPS™ Modular Ultra Power Module SRYL5KPMI, SRYL5KPMT

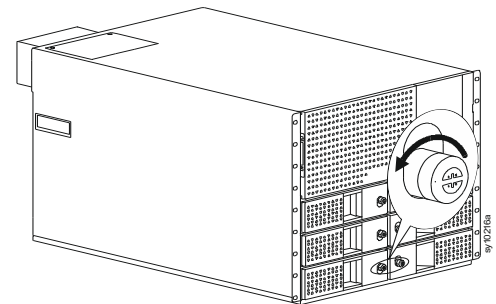
CAUTION

RISK OF DAMAGE TO EQUIPMENT OR PERSONNEL

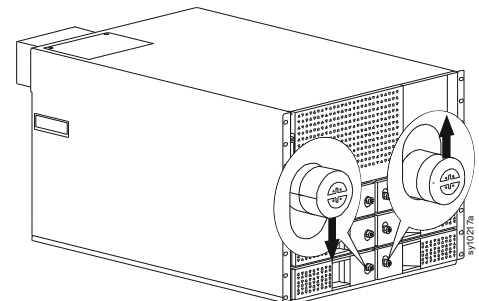
- The equipment is heavy. The approximate weight of the module is 10 kgs (22 lb).
- Always practice safe lifting techniques adequate for the weight of the equipment.
- Be sure to hold the module with both hands while sliding it in and out.
- Do not use the finger hold to lift or carry the power module.

Failure to follow these instructions could result in equipment damage and minor or moderate injury.

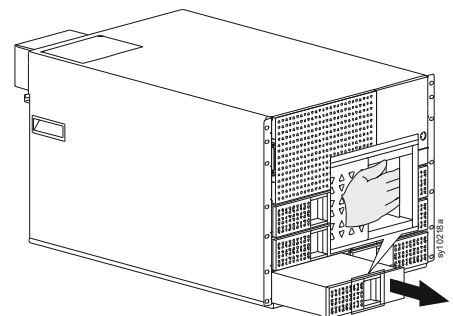
- 1** Loosen the thumbscrew to disable the module and unlock the latch.

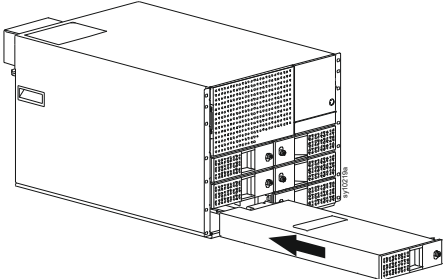


- 2** To release the latch:
- Left module: Slide the thumbscrew downwards.
 - Right module: Slide the thumbscrew upwards.



- 3**
1. Release the latch and pull the finger hold on the front face of the module until the latch clears the frame.
NOTE: Do not use the finger hold to pull the module completely from the frame.
 2. Support the module with both hands and pull out the module completely from the frame.



<p>4</p>	<ol style="list-style-type: none"> 1. Orient the module so the thumbscrew is towards the middle of the frame. 2. Slide in the replacement module until the latch engages. 	
<p>5</p>	<p>Hand tighten the thumbscrew to enable the module and lock the latch.</p>	