

47" CLASS (46.9" DIAGONAL)

M4715C-BA

LCD Widescreen Full HD Capable Monitor



NATIVE DISPLAY RESOLUTION
1920 x 1080 (WUXGA)

HIGH BRIGHTNESS
500 cd/m²

CONTRAST RATIO
3000:1 (DCR)

Super IPS
178° Viewing Angle

VIEWING ANGLE and LIFE EXPECTANCY
Enhanced in Portrait and Landscape Mode

NARROW BEZEL
36mm

NEW! RJ-45 LAN CONTROL

RS-232C CONTROL

HDMI™ WITH HDCP



ENERGY STAR® 5.0 COMPLIANT

CONVENIENT EXTERNAL SPEAKER-OUT

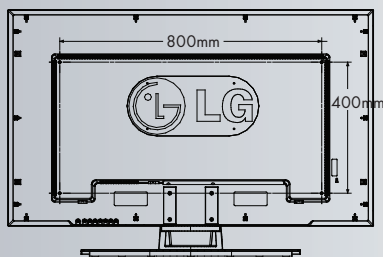
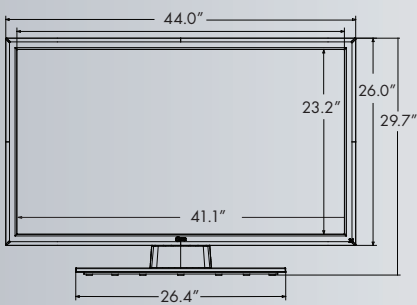
INFORMATION DISPLAY FOR SERIAL NUMBER

SPLIT ZOOM (self video wall)
Up to 5 x 5 matrix - adjusts for bezel width

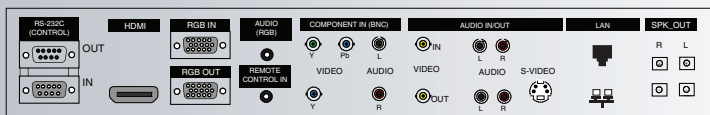
OPTIONAL HIDDEN SPEAKERS (SP0000K) &
OPTIONAL STAND (ST4710K)

3-YEAR LIMITED WARRANTY
parts/labor





Rear Jack Pack Panel



PANEL

LCD Panel Type	47"
Display Area	46.9" diagonal
Aspect Ratio	16 : 9
Native Resolution	1920 x 1080 (WUXGA)
Pixels (H x V x 3)	6,220,800
Brightness	500 cd/m ²
Contrast Ratio	3,000:1 (DCR)
Viewing Angle (H x V)	178° x 178°
Color Depth	10.6 Billion
Response Time	9ms (G to G)
Surface Treatment	Hard Coating (3H) Anti-glare
MTBF	50,000 Hr. (Minimum) Portrait & Landscape

VIDEO

Max Input Resolution	1920 x 1080 @ 60Hz (RGB, HDMI)
Recommended Resolution	1920 x 1080 @ 60Hz (RGB, HDMI)
H-Scanning Frequency	30 ~ 83kHz (RGB, HDMI)
V-Scanning Frequency	56 ~ 75 Hz (RGB), 60 Hz (HDMI)
Pixel Frequency	148.5 MHz (RGB, HDMI)
Sync Compatibility	Separate / Composite / Digital
Video Input	RGB (Analog), HDMI (Digital)
Picture Mode	Vivid/Standard/Cinema/Sports/Game/ User1/User2

Color Temperature Warm/Medium/Cool/User

REAR INPUTS/OUTPUTS

Component Video	1 Hi-Res
PC Input via 15-Pin Sub "D"	1 / 1

Composite Video Input/Output	1 / 1
Audio Output	1
Audio Inputs	3 Plus PC Sound
HDTV Formats	Component : 720p/1080i HDMI: 720p/1080i/1080p Auto Scaling to XUGA
PC Formats	
HDMI with HDCP	Yes
RS-232C Input/Output	1 / 1
RJ-45 Lan Control	1
S-Video	1 (S-Video has a priority but there is no input mode)
Audio Jack Built-in (No Amp)	Yes
Discrete IR Input	Yes
External Speaker Out	Yes

AUDIO

Auto Volume	Yes
Balance	Yes
Audio Power	20W (10W x 2)
Speaker On/off	Yes
Sound mode	Clear Voice/Standard/Music/Cinema/ Sports/Game/User

SPECIAL FEATURES

Temperature Sensor	Yes
Split Zoom (Self Video Wall, Max 5 x 5)	Yes (Supports Natural Mode)
Source Selection	Digital (HDMI)/Analog (RGB)/ Component/AV
Brightness/Contrast	Yes
Color	Warm/Medium/Cool/User Control (R/G/B)
Position	H / V
Tracking	Auto/Clock/Phase
Set-up	Language (English/French/Spanish/Italian/German/ Portuguese/Korean/Japanese/Chinese/Russian)
ISM Method	Normal/White Wash/Orbiter/Inversion/ Dot wash
Advanced	Gamma/Film mode/Black Level/ Noise Reduction
Time	Clock/On/Off Timer/Auto Sleep/ Power On Delay
Information Display	Serial Number, SET ID, S/W Version
Mute	Yes
Sleep Timer	Yes
Auto Power/Source Memory	Yes
Key Lock	Yes
DPM Select	Yes

CABINET

Color	Black
Monitor Dimension (W×H×D)	44.0" x 26.0" x 4.7"
Bezel Width	36mm
Monitor Weight	63.5 lbs
Monitor Dimension w/opt. stand (W×H×D)	44.0" x 29.7" x 12.6"
Weight w/opt. stand	72.4 lbs
Weight w/opt. stand and opt. speakers	74.0 lbs
Packaging Dimensions (W×H×D)	54.7" x 31.0" x 11.2"
Weight with Packaging	87.6 lbs
VESA™ Standard Mount Interface	800mm x 400mm

POWER

Power Supply	100-240V~, 50/60Hz
Power Type	Built-in Power
Power Switch Type	Tact Switch
Power Saving	
Normal	300 W
Stand-by/Suspend	≤1W (RGB)/4W (HDMI)
DPM Off	≤1W (RGB)/4W (HDMI)
Switch Off	≤1W

STANDARD (CERTIFICATION)

Safety	UL/c-UL/CB scheme/TUV/NEMKO
EMC	FCC Class "B"/VCCI/C-tick/CE/MIC
Energy Efficiency	Energy Star 5.0
UPC	7 19192 18577 7

SERVICE/LIMITED WARRANTY

	3 Years (Parts/Labor)
--	-----------------------

OPTIONAL ACCESSORIES

Hidden Speakers (SP0000K)	Black
Speaker Dimensions (W x H x D)	1.6" x 12.9" x 2.2"
Speaker Weight (each)	0.8 lbs
Packaging Dimensions (W x H x D)	15.1" x 5.3" x 6.9"
Packed Weight	2.4 lbs (2 Speakers/1 Package)
ST4710K (stand)	Fits M4715C-BA
Stand Dimensions (W x H x D)	26.4" x 8.4" x 12.6"
Weight	8.9 lbs



www.LGcommercial.com

LG Electronics U.S.A., Inc.
Commercial Products Division
2000 Millbrook Drive
Lincolnshire, IL 60069

Customer Service: 888.865.3026

Contact your LG Regional Sales Representative:
Enterprise: 800.897.8788
Channel: 800.897.8871
Hospitality: 800.228.1236
E-mail: LGcommercial@lge.com

SPEC_M4715CBA_040909_PR

All screen images are simulated. Dimensions and weights are approximate. Design, specifications, and features subject to change without notice. *HDTV monitors require an optional set-top-box to receive high-definition broadcast.

© Copyright 2009 LG Electronics USA, Inc. All Rights Reserved. "LG Life's Good" is a registered trademark of LG Corp.

ENERGY STAR is a registered trademark of the U.S. Environmental Protection Agency. In Plane Switching is a trademark of LG Philips LCD Ltd. VESA is a trademark of Video Electronics Standards Association. HDMI, the HDMI logo and High-Definition Multimedia Interface are trademarks or registered trademarks of HDMI Licensing LLC. All other product and brand names are trademarks or registered trademarks of their respective companies.

Printed in the USA. July 2009



LG
Life's Good