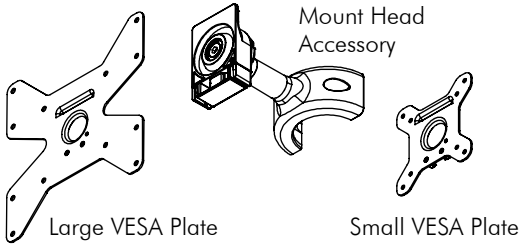
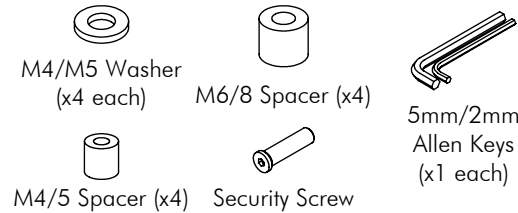


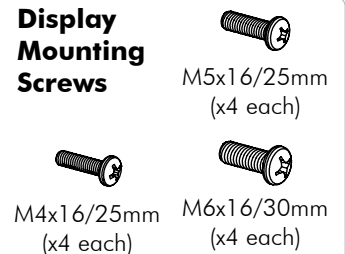
Component Checklist



Hardware



Display Mounting Screws



IMPORTANT INFORMATION:

! IMPORTANT - Install Telehook 1040 Back to Back Accessory as per Installation Instructions.

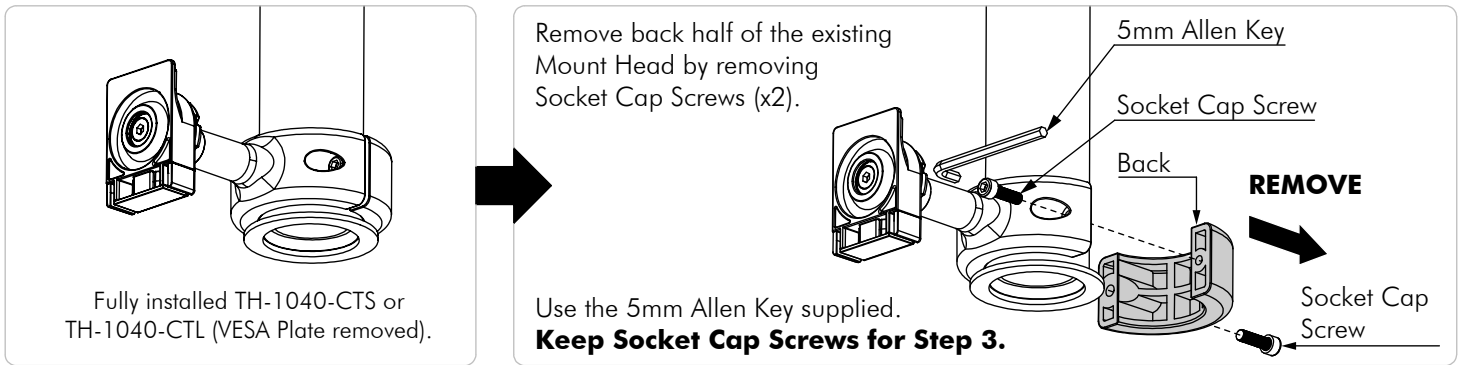
! This product is to be installed in conjunction with TH-1040-CTS and TH-1040-CTL Ceiling Mounts only.

! The manufacturer accepts no responsibility for incorrect installation.

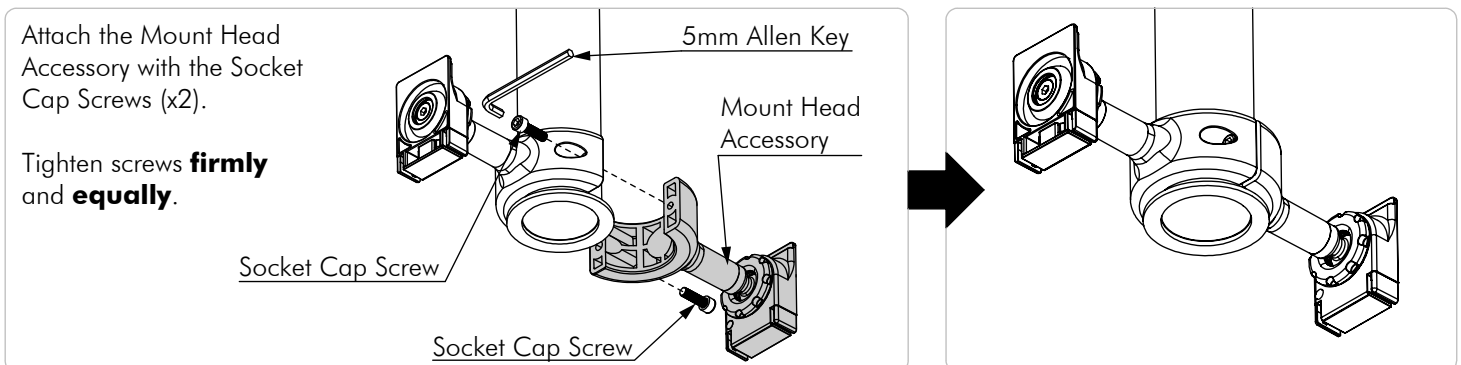
Step 1. Check Components

Check you have received all parts against the Component Checklist and Hardware above.

Step 2. Remove Back of Existing Mount Head



Step 3. Install Mount Head Accessory



Installation Complete

Refer to TH-1040-CTS/TH-1040-CTL Installation Instructions, Step 8. Attach VESA Plate to Display.

