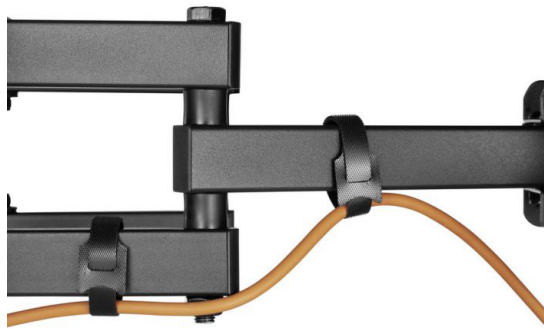


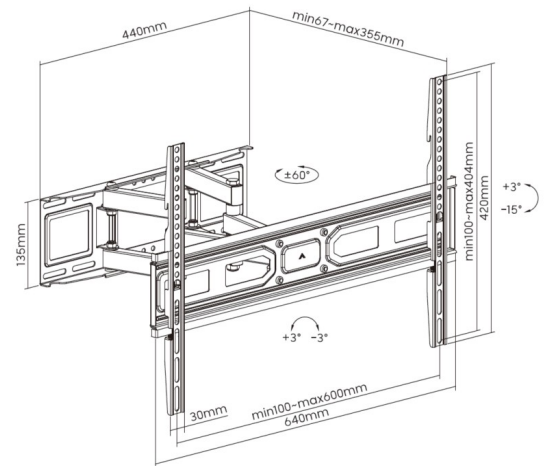
# 650337 37"-80" Full Motion TV Mount Bracket

## Product Images





Cable management



## Short Description

- Max. Load Capacity: 40Kg
- Max. VESA: 600x400

- Swiveling arm offer maximum viewing flexibility
- Free-Tilting Design: makes easy forward or backward adjustment for better viewing
- 2-Level adjustment ensures perfect positioning
- Swivel and tilt wall mount
- VESA standards compliant
- Build-in cable management

## Description

---

The equip® 650337 TV Wall Mount Bracket is a compact but sturdy product that ensures a reliable installation of your LCD/LED TV. Follow the graphic guide included in the package, you can install your TV on your own with ease. The wall bracket fits most of the wall materials- brick, concrete and wood, making the ideal choice for you to set up your screens.

The Full-Motion TV Mount fits most flat panel TVs up to 40kg. Full-motion adjustment allows maximum flexibility leveling TV for optimal viewing from any seat in a room

## Additional Information

Harmonized System (HS) code	852990
Customs product code (TARIC)	8529909700
Approval and Compliance	REACH, RoHS
Package Contents	650337 Manual screws kits
Color	Black
EAN	4015867230916
Model Number	650337
Anti-theft	No
Cable management	Yes
Compatible Display Size	37"-80"
Bracket type	Tiltable and Swivel
Installation	Solid Wall
Distance to wall (Profile)	67~355mm
Load Capacity (kg)	40kg
Material	Plastic, Stainless Steel
Pan (Swivel) range	+60°~-60°
Screens support quantity	1
Support Curved TV (Monitors)	Yes
Tilt range	+3°~-15°
VESA compatibility	100x100,100x150,150x100, 100x200,200x100,150x150, 200x200,300x200,400x200, 300x300,400x300,600x200, 400x400,600x300,600x400
Mount	Wall mount
Dimensions (W x D x H)	355 x 640 x 420 mm
Product weight (kg)	3.6

