

Owner's Manual

Havis Docking Station for Dell Latitude Rugged 12 Tablet

DS-DELL-600 Series

DS-DELL-601

DS-DELL-601-2

DS-DELL-602

DS-DELL-602-2

DS-DELL-603

DS-DELL-603-2

DS-DELL-604

DS-DELL-604-2



Havis is pleased to provide this Owner's Manual to aid in the proper installation and use of the DS-DELL-600 Series Docking Station for Dell Latitude Rugged 12 Tablet

For questions regarding the set-up of your DS-DELL-600 Series Docking Station, please contact Havis at 1-800-524-9900 or visit www.havis.com for additional product support and information.

This Owner's Manual applies to the following Part Numbers:

DS-DELL-601	DS-DELL-602	DS-DELL-603	DS-DELL-604
DS-DELL-601-2	DS-DELL-602-2	DS-DELL-603-2	DS-DELL-604-2

⚠ WARNING

- **NEVER STOW OR MOUNT THE DOCKING STATION DIRECTLY IN A VEHICLE AIRBAG DEPLOYMENT ZONE.**
- **DO NOT USE COMPUTER WHILE DRIVING.**

⚠ CAUTION

- **READ ALL INSTRUCTIONS THOROUGHLY BEFORE BEGINNING INSTALLATION.**
- **FOR THE DS-DELL-601, DS-DELL-601-2, DS-DELL-602, DS-DELL-602-2 DOCKING STATIONS: DO NOT CONNECT DIRECTLY TO VEHICLE VOLTAGE SOURCE:** This product requires a certified, automotive grade, Dell approved 90W power source rated for a continuous, regulated 19.5VDC output (Havis Part Number LPS-131 or equivalent). Failure to comply with this requirement will cause product damage that is NOT repairable and is NOT covered under warranty.
- **THE DS-DELL-604, DS-DELL-604-2 DOCKING STATIONS MUST BE USED WITH POWER CABLE SHIPPED WITH DOCKING STATION (PART # DS-DA-316). THIS CABLE INCLUDES A 15AMP PROTECTION FUSE.**

NOTICE

- **FOR DOCKING STATION MODELS EQUIPPED WITH A BUNDLED POWER SUPPLY (DS-DELL-602, DS-DELL-602-2) REFER TO THE SUPPLIED LIND POWER SUPPLY REFERENCE GUIDE.**

EC DECLARATION OF CONFORMITY in accordance with EN 50498

Manufacturers Name: Havis, Inc.

Manufacturers Address: 47099 Five Mile Road, Plymouth Twp, MI 48170 USA

Declares under our sole responsibility that the product:

Product name: Havis Docking Station For Dell Latitude Rugged 12 Tablet

Model: DS-DELL-60X, where 'X' may be any alphanumeric character and which describes product options.

May be followed by any alphanumeric characters which describe product options.

Product Options: This declaration covers all options of the above product which bear the CE Marking.

Is in conformity with the following standards or other normative documents:

Automotive EMC Directive EN 50498:2010, Electromagnetic compatibility (EMC) -

2004/108/EC:

Product family standard for aftermarket electronic equipment in vehicles

Directive 2011/65/EU

Restriction of the use of certain hazardous substances (RoHS)

Supplementary Information:

The product herewith complies with the requirements of the Automotive EMC Directive 2004/108/EC, Annex I, 6.5, 6.6, 6.8, and 6.9.

This product requires the use of a recommended e-Marked automotive power supply when used within vehicles.

Plymouth twp, MI, USA

August 13, 2015

Bruce Jonik, Director of Engineering, Havis, Inc.

FCC 47CFR, Part 15 compliance: This is an FCC Class B device. Any changes or modifications to the model DS-DELL-60X not expressly approved by Havis, Inc. could void the user's authority to operate this equipment.

Table of Contents

Specifications	3
Parts Included	3
Port Replication Capability	5
Antenna Identification	5
Installation and Cable Management	6
Operation - Docking	8
Operation - Undocking	10

Precautions

- Do not place metal objects or containers of liquid on top of the Docking Station
- If a malfunction occurs, immediately unplug the Power Supply and remove the laptop
- Use only the specified Power Supply (*Part # LPS-131*) with this Docking Station, or Internal Power Supply cable (*Part # DS-DA-316*) with Internal Power Supply Docking Stations.
- Do not store the Docking Station where water, moisture, steam, dust, etc. are present
- Do not connect cables into ports other than what they are specified for
- Do not leave the Docking Station in a high temperature environment (greater than 85°C, 185°F) for a long period of time

Specifications

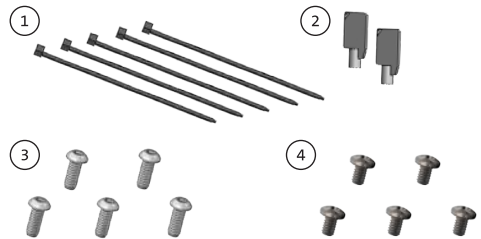
Power Supply Input	19.5V DC-In
Dimensions	14.1" (35.8 cm) H x 13.7" (34.8 cm) W x 3.0" (7.6 cm) D
Weight	4.88 lbs (2.21 kg)
Operating Environment	0° C to 50° C (32° F to 122° F)
Storage Environment	-40° C to 85° C (-40° F to 185° F)

Parts Included

Hardware Kit (*HWK-0036*)

This Hardware Kit includes:

1. Zip Ties (5)
2. Keys (2)
3. 1/4"-20 x 5/8" long Button Head Screws (5)
4. 1/4"-20 x 3/8" long Pan Head Screws (5)

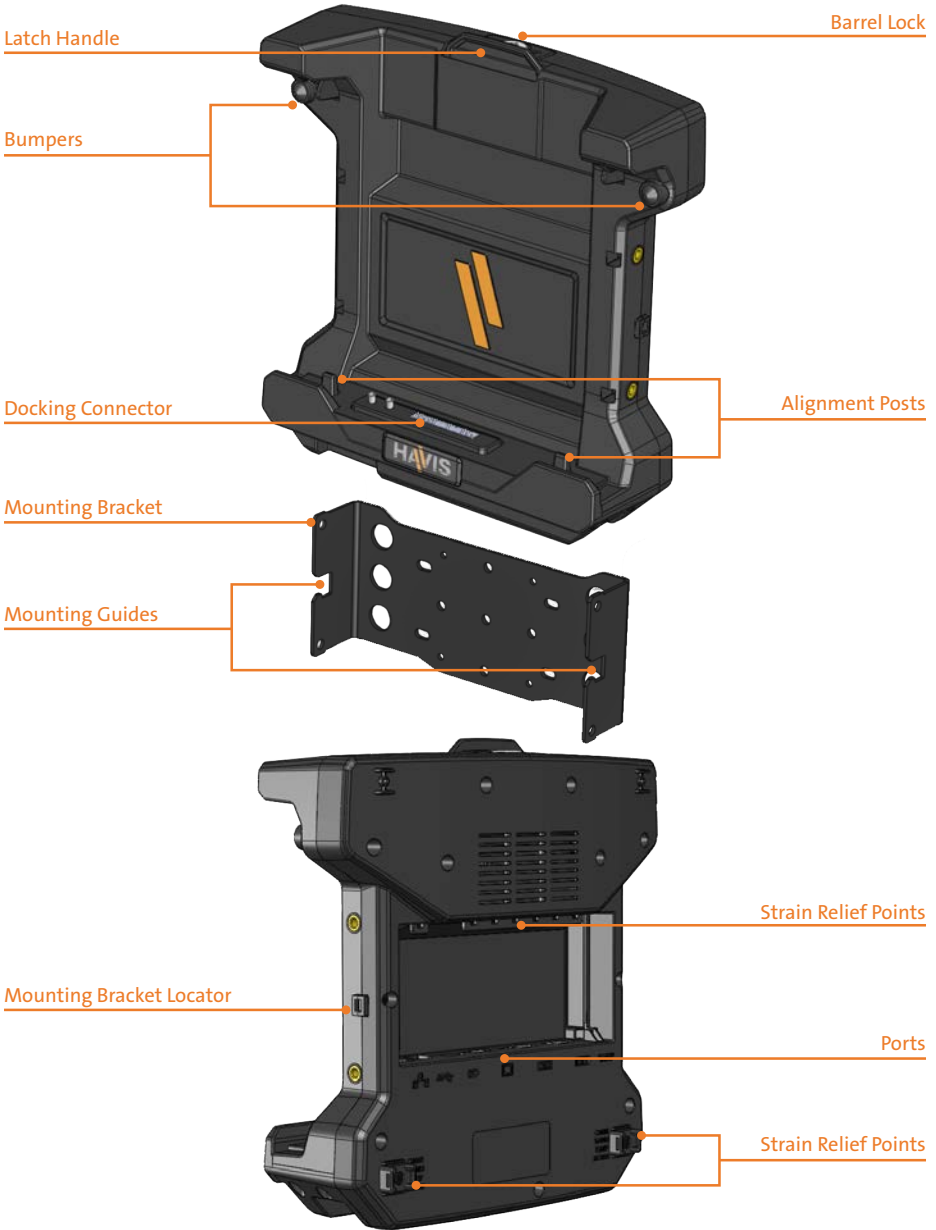


Tools required for installation:

- #3 Phillips
(For attaching Mounting Bracket to Docking Station with Pan Head 1/4"-20 Screws)
- 5/32" Hex Drive
(For attaching Mounting Bracket to Motion Device with Button Head 1/4"-20 Screws)

Parts Included (continued)

Docking Station



Power Cable

(For DS-DELL-604 & DS-DELL-604-2 only)



Port Replication Capability

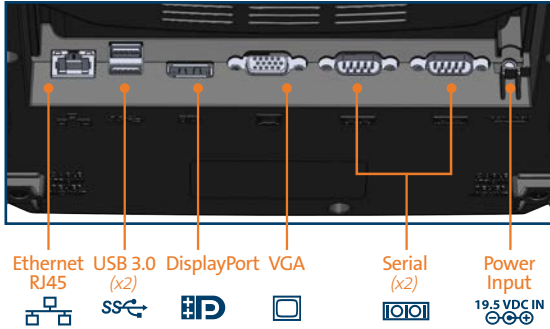
Forward Facing Ports

(All Docking Stations, not including DS-DELL-603 & DS-DELL-603-2)



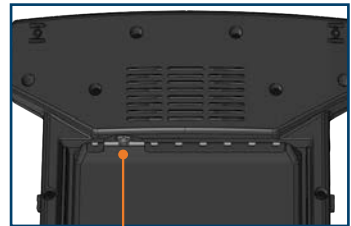
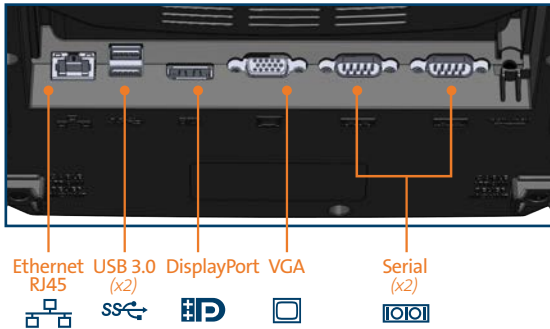
Rear Ports

(DS-DELL-601, DS-DELL-601-3, DS-DELL-602, DS-DELL-602-3)



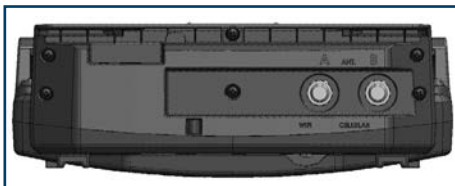
Rear Ports - Internal Power Supply

(DS-DELL-604 & DS-DELL-604-3)



Antenna Identification (DS-DELL-601-2, DS-DELL-602-2, DS-DELL-603-2, DS-DELL-604-2)

Downward Facing Antennas



A WIFI

Laptop Interface



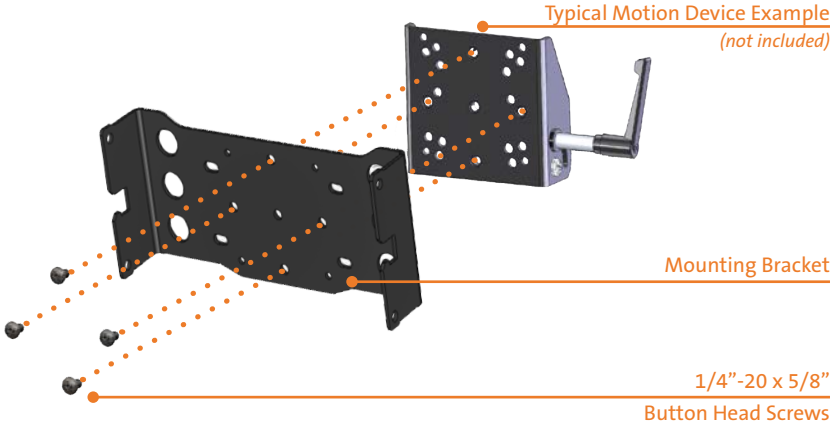
B CELLULAR

Installation and Cable Management

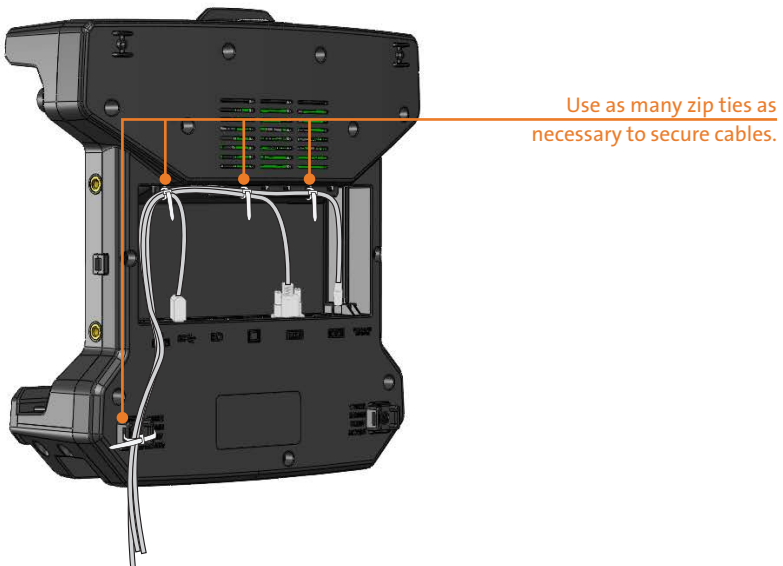
NOTE: We recommend applying a drop of medium strength (blue) thread locking adhesive to the threads of all fasteners.

- 1) Remove the Mounting Bracket from the packaging. Install the Mounting Bracket to the Motion Device using (4) 1/4"-20 x 5/8" long button head screws (Hardware Kit Item 3). Torque screws to 80 in-lbs (9.0Nm) \pm 10%.

NOTE: Numerous hole patterns present in Mounting Bracket will accommodate Havis Motion Devices as well as most competitors'

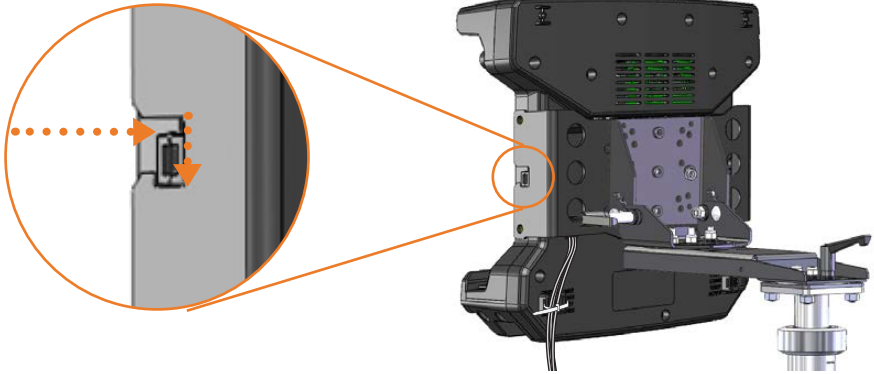


- 2) Install all cables that are necessary for computing needs. Use Zip Ties (Hardware Kit Item 1) to strain relieve cables to the Strain Relief Points, routing all cables together to the front of the Docking Station.



Installation and Cable Management *(continued)*

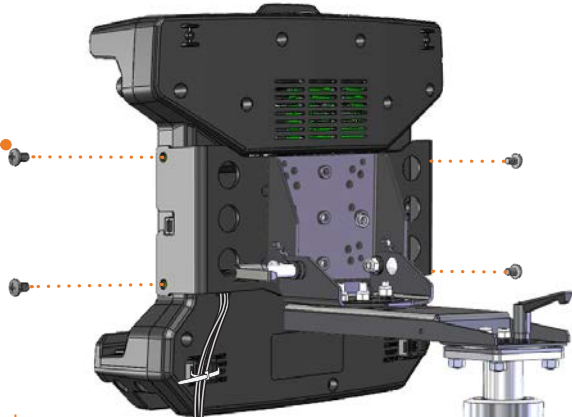
- Place the Docking Station onto the Mounting Bracket by guiding the mounting bracket locators into the mounting guides.



- Secure with (4) 1/4"-20 x 3/8" long pan head screws (Hardware Kit Item 4). Torque screws to 80 in-lbs (9.0 Nm) \pm 10%.
- Create a service loop with cable bundle to ensure that no tension is on the connectors and to enable intended motion.
- Tie off cables onto a stationary part of the mounting system. *(Mounting system not included with Docking Station)*

4

1/4"-20 x 3/8"
Pan Head Screws



5

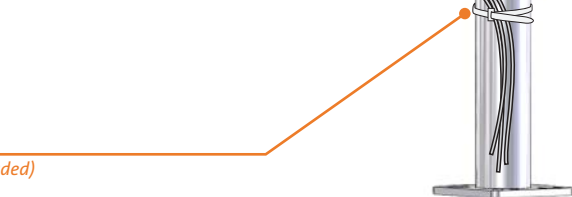
This loop must be large enough to allow full range of expected rotation and extension without stressing connections.



6

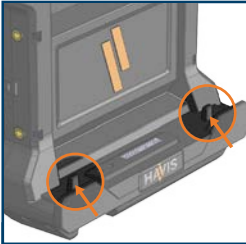
Collect cables to secure to the mounting system

(Note: mounting system not included)

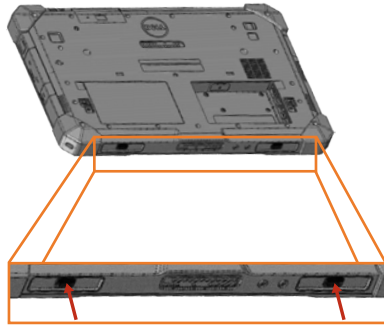


CAUTION

**DO NOT FORCE TABLET ONTO DOCKING STATION.
IF THERE IS RESISTANCE, CHECK THE ALIGNMENT
OF TABLET ON DOCKING STATION.**



Your tablet's Alignment Sockets will align with the Docking Station's Alignment Posts.



- 1) Ensure Docking Station is unlatched by pulling the Latch Handle forward.

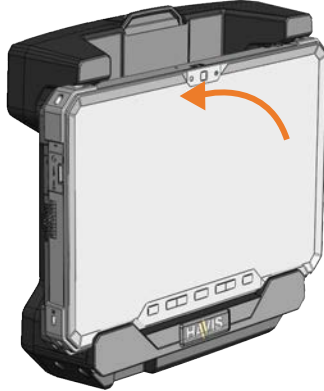


- 2) Hold tablet in landscape orientation, with bottom angled toward Docking Station. Lower tablet into the bottom of the Docking Station by aligning the tablet Alignment Sockets with the Docking Station's Alignment Posts

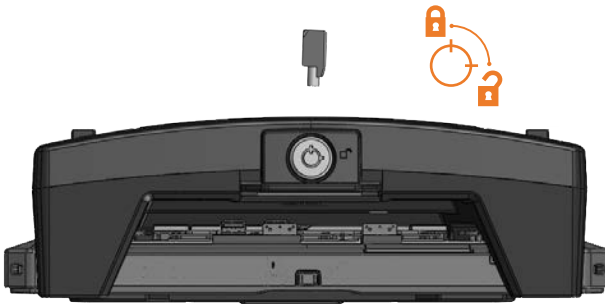


Operation - Docking (continued)

- 3) Pivot the top of tablet into Docking Station and apply light rearward pressure to top center of tablet. An audible click will indicate when tablet is latched.

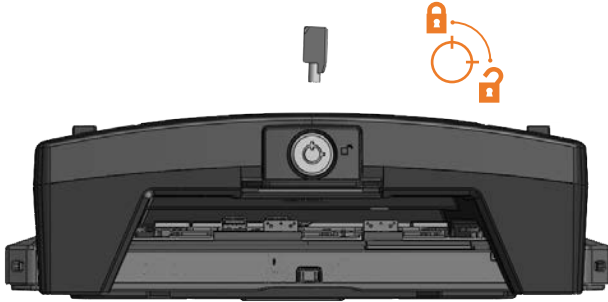


- 4) For theft deterrence, secure tablet by locking Docking Station with supplied key (Hardware Kit item 2).

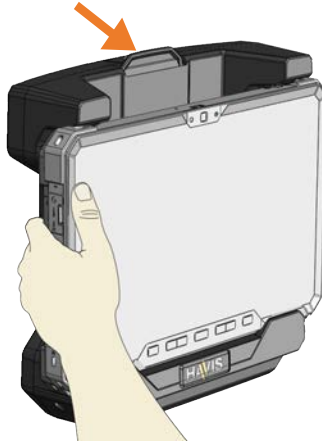


Operation - Undocking

- 1) If previously locked, unlock Docking Station using supplied key.



- 2) While holding tablet with one hand, pull the Latch Handle on the top of Docking Station until the Latch Hooks release.



- 3) Once unlatched grab both sides of tablet, rock the top forward and carefully lift out of Docking Station, top end first.



Related Products

Havis offers a wide variety of accessory products specifically for use with the DS-DELL-600 Series Docking Station. For more information or to order, please visit www.havis.com.



LPS-131 ***90W Power Supply***

External power supply and cable for Dell Laptops with cigarette lighter adaptor.



LPS-206 ***Power Supply Mounting Kit***

Attach the LPS-131 Power Supply to DS-DELL-600 Series Docking Stations.



DS-DA-103 ***Stylus Holder***

Secure a wide array of styluses to your DS-DELL-600 Series Docking Station.



DS-DA-218 ***Desktop Stand***

Durable stand for mounting the Universal Tablet Mount in the home or office.



DS-DA-316 ***Power Cable***

Power cable with 15amp fuse for DS-DELL-604, and DS-DELL-604-2 Docking Stations.



DS-DA-501 ***Replacement Keys***

Set of two (2) replacement keys for DS-DELL-600 Series Docking Stations.



Havis, Inc.

75 Jacksonville Road
Warminster, PA 18974
www.havis.com 1-800-524-9900