

**EPSON**<sup>®</sup>  
EXCEED YOUR VISION

# **SureColor T-Series User's Guide**

## Copyrights and Trademarks

---

# Copyrights and Trademarks

No part of this publication may be reproduced, stored in a retrieval system, or transmitted in any form or by any means, electronic, mechanical, photocopying, recording, or otherwise, without the prior written permission of Seiko Epson Corporation. The information contained herein is designed only for use with this Epson printer. Epson is not responsible for any use of this information as applied to other printers.

Neither Seiko Epson Corporation nor its affiliates shall be liable to the purchaser of this product or third parties for damages, losses, costs, or expenses incurred by the purchaser or third parties as a result of accident, misuse, or abuse of this product or unauthorized modifications, repairs, or alterations to this product, or (excluding the U.S.) failure to strictly comply with Seiko Epson Corporation's operating and maintenance instructions.

Seiko Epson Corporation shall not be liable for any damages or problems arising from the use of any options or any consumable products other than those designated as Original Epson Products or Epson Approved Products by Seiko Epson Corporation.

Seiko Epson Corporation shall not be held liable for any damage resulting from electromagnetic interference that occurs from the use of any interface cables other than those designated as Epson Approved Products by Seiko Epson Corporation.

EPSON<sup>®</sup>, Epson UltraChrome<sup>®</sup>, EPSON EXCEED YOUR VISION, EXCEED YOUR VISION and their logos are registered trademarks or trademarks of Seiko Epson Corporation.

Microsoft<sup>®</sup>, Windows<sup>®</sup>, Windows Vista<sup>®</sup> and PowerPoint<sup>®</sup> are registered trademarks of Microsoft Corporation.

Apple<sup>®</sup>, Macintosh<sup>®</sup>, Mac<sup>®</sup> and OS X<sup>®</sup> are registered trademarks of Apple Inc.

Intel<sup>®</sup> is a registered trademark of Intel Corporation.

PowerPC<sup>®</sup> is a registered trademark of International Business Machines Corporation.

Adobe<sup>®</sup>, PostScript<sup>®</sup>, Photoshop<sup>®</sup>, Elements<sup>®</sup>, Lightroom<sup>®</sup>, and Adobe RGB (1998) are either registered trademarks or trademarks of Adobe Systems Incorporated in the United States and/or other countries.

HP-GL/2<sup>®</sup> and HP RTL<sup>®</sup> are registered trademarks of Hewlett-Packard Corporation.

Android is a trademark of Google Inc.

*General Notice: Other product names used herein are for identification purposes only and may be trademarks of their respective owners. Epson disclaims any and all rights in those marks.*

© 2014 Seiko Epson Corporation. All rights reserved.

9/14

CPD-41582

## Contents

### Copyrights and Trademarks

### Introduction

Important Safety Instructions .....	6
When choosing a place for this product.....	6
When setting up this product .....	6
When using this product .....	6
When handling the ink cartridges.....	7
Note on this Guide.....	7
Meaning of Symbols .....	7
Illustrations.....	7
Operating System Versions .....	7
Printer Parts .....	9
Front .....	9
Back.....	12
Roll 2 unit (T7270D/T5270D).....	13
Roll paper adapter .....	13
Control panel .....	14
Screen View .....	15
Features .....	18
High Productivity .....	18
High Resolution.....	18
Easy to Use .....	19
Notes on Usage and Storage .....	20
Installation space .....	20
Notes when using the printer.....	20
Notes when not using the printer.....	21
Notes on handling ink cartridges .....	21
Notes on handling paper .....	22
Provided Software .....	24
Contents of the Software Disk.....	24
Summary of the Printer Driver .....	26

### Basic Operations

Loading and Removing the Roll Paper .....	27
Attaching the Roll Paper Adapter.....	27
Loading Roll Paper on Roll 1.....	28
Loading Roll 2 (T7270D/T5270D only) .....	31
Cutting the roll paper .....	32
Removing Roll paper or Roll 1.....	34
Removing Roll 2 (T7270D/T5270D only) .....	35
Loading and Removing Cut Sheets .....	37

Loading Cut Sheets .....	37
Removing Cut Sheets.....	39
Loading and Removing Poster Board .....	39
Loading Poster Board .....	39
Removing Poster Board .....	42
Viewing and Changing Media Settings.....	43
Replacing Paper .....	44
Using the Paper Basket (T7270/T5270/T3270) .....	45
Storing and Opening.....	46
Adjusting the Position.....	47
Using the Large-Capacity Paper Basket (T7270D/T5270D) .....	49
Storing and Adjusting the Position.....	49
Using the Auto Take-up Reel Unit (T7270 Only) .....	51
Using the Control Panel .....	52
Attaching the Paper.....	52
Removing Paper from the Auto Take-up Reel Unit .....	55
Basic Printing Methods (Windows).....	57
Basic Printing Methods (Mac OS X) .....	60
Printable area.....	63
Roll Paper Printable Area.....	63
Cut Sheets Printable Area.....	63
Using the Power Off Timer.....	64
Canceling Printing .....	65

### Saving to and Reprinting on the Optional Hard Disk Unit

Function Summary.....	67
Saving Print Jobs.....	68
Viewing and Printing Saved Print Jobs.....	69

### Copying and Scanning

Large Copying and Large Scanning using the Multi- function Scanner (Option) .....	71
Function Summary .....	71
Starting Copy Center.....	72
Address Settings.....	72
Loading Documents .....	73
Large Copying .....	75
Large Scan .....	77
Changing the document eject direction .....	77

## Contents

Operations for Image Files that were Scanned or Received.....78

### **More Ways to Print**

Enlargements and Horizontal and Vertical Banners	80
Fitting Documents to the Width of the Roll Paper.	80
Choosing a Print Size	82
Fitting Documents to the Output Size	83
Printing at Non-Standard Sizes	84
Printing CAD Drawings	86
Printing in the CAD / Line Drawing mode of the printer driver	86
Printing while Emulating HP-GL/2 and HP RTL.	87
Switching Roll Paper Automatically before Printing (T7270D/T5270D Only)	87
Switching to Roll 1/Roll 2 by Paper Type.	87
Switching to Roll 1/Roll 2 by Document Size	89
Switching to Roll 1/Roll 2 by Roll Length	90
Borderless Printing.	92
Types of Borderless Printing Methods	92
Supported Media Sizes for Borderless Printing	92
About Roll Paper Cutting.	94
Setting Procedures for Printing.	95
Correct color and print	97
Multi-Page/Poster Printing	100
Folded Double-Side (Windows only)	100
N-up.	101
Poster (Windows only)	102
Printing Multiple Documents (the Layout Manager) (Windows Only)	107
Setting Procedures for Printing.	107
Saving and Recalling Settings.	108

### **Color Management Printing**

About Color Management	109
Color Management Print Settings	109
Setting profiles	110
Setting color management with the applications.	110
Setting color management with the printer driver	111
Color management printing by Host ICM (Windows)	111
Color management printing by ColorSync (Mac OS X)	112
Color management printing by Driver ICM (Windows Only)	113

### **Tips for Using the Printer Driver (Windows)**

Displaying the Settings Screen	115
With the Start button	115
Displaying Help	116
Click the Help Button to Display.	116
Right-click on the item you want to check and display.	116
Customizing the Printer Driver	117
Saving various settings as your Select Settings.	117
Adding Media Types	117
Rearranging display items	118
Overview of the Utility Tab.	119
Uninstalling the printer driver	121

### **Tips for Using the Printer Driver (Mac OS X)**

Displaying the Settings Screen	122
Displaying Help	122
Using Epson Printer Utility 4	122
Starting Epson Printer Utility 4	122
Epson Printer Utility 4 Functions	122
Uninstalling the printer driver	124
Removing EPSON LFP Remote Panel 2.	124

### **Using the Control Panel Menu**

Menu Operations	125
Menu List	126
Menu Descriptions	132
Print Queues menu	132
Paper menu	134
The Maintenance Menu	138
Setup menu	139
Large Copy / Large Scan menu	153

### **Maintenance**

Adjusting the Print Head.	156
Checking for clogged nozzles.	156
Cleaning the print head.	157
Minimizing Print Misalignments (Head Alignment)	158
Replacing Consumables.	161
Replacing Ink Cartridges	161
Replacing Ink Maintenance Tanks	162
Replacing the Cutter	163
Cleaning the Printer	165

## Contents

Cleaning the outside . . . . .	165
Cleaning the inside . . . . .	165
Cleaning the Multifunction Scanner (option) . . . . .	166

### **Problem Solver**

What to do When a Message is Displayed . . . . .	168
When a Maintenance Call/Service Call Occurs . . . . .	172
Troubleshooting . . . . .	173
You cannot print (because the printer does not work) . . . . .	173
The printer sounds like it is printing, but nothing prints . . . . .	175
The prints are not what you expected . . . . .	175
Feeding or ejecting problems . . . . .	178
Others . . . . .	181
Trouble when the optional Multifunction Scanner is connected . . . . .	182

### **Appendix**

Options and Consumable Products . . . . .	185
Supported Media . . . . .	187
Epson Special Media Table . . . . .	187
Usable Commercially Available Paper Size . . . . .	195
Before printing on non-Epson media . . . . .	196
Notes When Moving or Transporting the Printer . . . . .	197
Notes When Moving the Printer . . . . .	197
Notes on Transporting . . . . .	198
Notes when reusing the printer . . . . .	199
System Requirements . . . . .	200
System Requirements of the Printer Driver . . . . .	200
System Requirements for CopyCenter . . . . .	200
Specifications Table . . . . .	201
Standards and Approvals . . . . .	203

### **Where To Get Help**

Technical Support Web Site . . . . .	204
Contacting Epson Support . . . . .	204
Before Contacting Epson . . . . .	204
Help for Users in North America . . . . .	205

### **Software License Terms**

OPEN SOURCE SOFTWARE LICENSE . . . . .	206
Bonjour . . . . .	207
Other Software Licenses . . . . .	212
Info-ZIP copyright and license . . . . .	212

## Introduction

---

# Introduction

---

## Important Safety Instructions

Read all of these instructions before using the printer. Also be sure to follow all warnings and instructions marked on the printer.

---

### When choosing a place for this product

- Place this product on a flat, stable surface that is larger than this product. This product will not operate properly if it is tilted or at an angle.
- Avoid places subject to rapid changes in temperature and humidity. Also keep it away from direct sunlight, strong light, or heat sources.
- Avoid places subject to shocks and vibrations.
- Keep this product away from dusty areas.
- Place this product near a wall outlet where the plug can be easily unplugged.

---

### When setting up this product

- Do not block or cover the openings in this product's cabinet.
- Do not insert objects through the slots. Take care not to spill liquid on this product.
- This product's power cord is for use with this product only. Use with other equipment may result in fire or electric shock.
- Connect all equipment to properly grounded power outlets. Avoid using outlets on the same circuit as copiers or air control systems that regularly switch on and off.
- Avoid electrical outlets controlled by wall switches or automatic timers.

- Keep the entire computer system away from potential sources of electromagnetic interference, such as loudspeakers or the base units of cordless telephones.
- Use only the type of power source indicated on the product's label.
- Use only the power cord that comes with this product. Use of another cord may result in fire or electric shock.
- Do not use a damaged or frayed power cord.
- If you use an extension cord with this product, make sure the total ampere rating of the devices plugged into the extension cord does not exceed the cord's ampere rating. Also, make sure the total ampere rating of all devices plugged into the wall outlet does not exceed the wall outlet's ampere rating.
- Do not attempt to service this product yourself.
- Unplug this product and refer servicing to qualified service personnel under the following conditions:

The power cord or plug is damaged; liquid has entered the product; the product has been dropped or the cabinet damaged; the product does not operate normally or exhibits a distinct change in performance.

- If you plan to use the printer in Germany, observe the following:

To provide adequate short-circuit protection and over-current protection for this printer, the building installation must be protected by a 10 or 16 amp circuit breaker.

- If damage occurs to the plug, replace the cord set or consult a qualified electrician. If there are fuses in the plug, make sure you replace them with fuses of the correct size and rating.

---

### When using this product

- Do not put your hand inside this product or touch the ink cartridges during printing.
- Do not move the print heads by hand; otherwise you may damage this product.

## Introduction

- ❑ Always turn the product off using the Power button on the control panel. When this button is pressed, the Power light flashes briefly then goes off. Do not unplug the power cord or turn off the product until the Power light stops flashing.

---




### When handling the ink cartridges

- ❑ Keep ink cartridges out of the reach of children and do not drink.
- ❑ If ink gets on your skin, wash it off with soap and water. If it gets in your eyes, flush them immediately with water.
- ❑ Before installing the new ink cartridge in the printer, shake it back and forth horizontally in five centimeter movements about 15 times within five seconds.
- ❑ Use the ink cartridge before the date printed on its package.
- ❑ Use up the ink cartridge within a year of installation for best results.
- ❑ Do not dismantle the ink cartridges or try to refill them. This could damage the print head.
- ❑ Do not touch the IC chip on the side of the cartridge. This may affect normal operation and printing.
- ❑ The IC chip on this ink cartridge retains a variety of cartridge-related information, such as the ink cartridge status, so that the cartridge may be removed and reinserted freely. However, each time the cartridge is inserted, some ink is consumed because the printer automatically performs a reliability check.
- ❑ If you remove an ink cartridge for later use, protect the ink supply area from dirt and dust, and store it in the same environment as this product. Note that there is a valve in the ink supply port, making covers or plugs unnecessary, but care is needed to prevent the ink from staining items that the cartridge touches. Do not touch the ink supply port or surrounding area.

## Note on this Guide

---

### Meaning of Symbols

 <b>Warning:</b>	Warnings must be followed to avoid serious bodily injury.
 <b>Caution:</b>	Cautions must be followed to avoid damage to this product or bodily injury.
 <b>Important:</b>	Notes contain important information on the operation of this product.
<b>Note:</b>	Tips contain useful or additional information on the operation of this product.

---

### Illustrations

Unless otherwise noted, the illustrations in this documentation show the T7270.

---

### Operating System Versions

In this documentation, the following abbreviations are used.

#### Windows refers to Windows 8.1, 8, 7, Vista, XP.

- ❑ Windows 8.1 refers to Windows 8.1, Windows 8.1 Pro, and Windows 8.1 Enterprise.
- ❑ Windows 8 refers to Windows 8, Windows 8 Pro, and Windows 8 Enterprise.
- ❑ Windows 7 refers to Windows 7 Home Basic, Windows 7 Home Premium, Windows 7 Professional, and Windows 7 Ultimate.
- ❑ Windows Vista refers to Windows Vista Home Basic Edition, Windows Vista Home Premium Edition, Windows Vista Business Edition, Windows Vista Enterprise Edition, and Windows Vista Ultimate Edition.

## Introduction

- ❑ Windows XP refers to Windows XP Home Edition, Windows XP Professional x64 Edition, and Windows XP Professional.
- ❑ Windows Server 2012 refers to Windows Server 2012 Essentials Edition, Server 2012 standard Edition.
- ❑ Windows Server 2008 refers to Windows Server 2008 Standard Edition and Windows Server 2008 Enterprise Edition.
- ❑ Windows Server 2008 x64 refers to Windows Server 2008 x64 Standard Edition, Windows Server 2008 x64 Enterprise Edition, Windows Server 2008 R2 Standard Edition, and Windows Server 2008 R2 Enterprise Edition.
- ❑ Windows Server 2003 refers to Windows Server 2003 Standard Edition and Windows Server 2003 Enterprise Edition.
- ❑ Windows Server 2003 x64 refers to Windows Server 2003 x64 Standard Edition and Windows Server 2003 x64 Enterprise Edition.

**Macintosh refers to OS X.**

- ❑ OS X refers to OS X 10.5.8 and later versions.

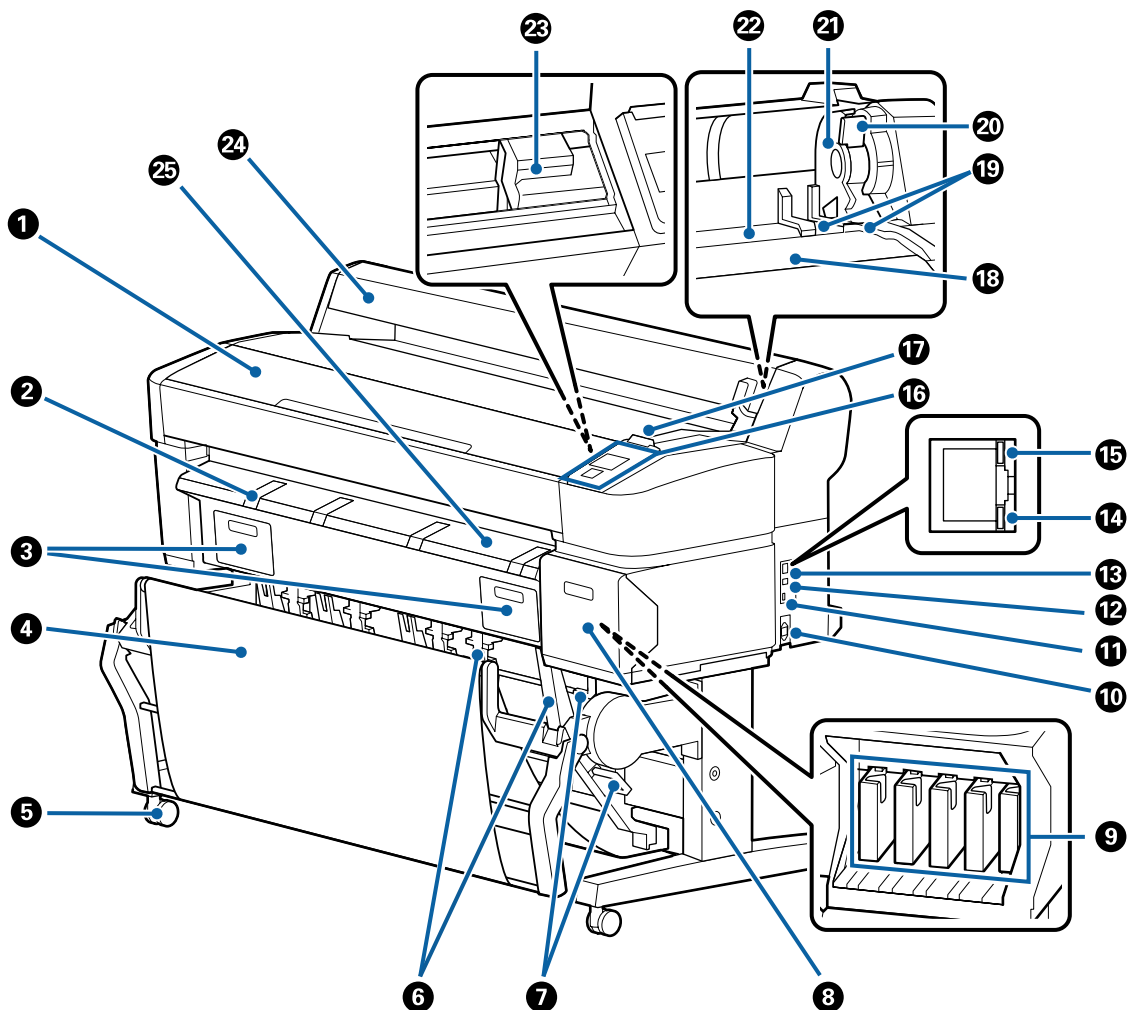


## Introduction

# Printer Parts

## Front

The illustration shows the T7270. The operation is the same even when the shape of the paper basket or other items are different.



### ❶ Printer cover

Open this cover when cleaning the printer or clearing jams.

### ❷ Poster board support

Raise this support so that you can place the media on it when printing on poster board. The support ensures that poster board feeds smoothly.

[☞ "Loading and Removing Poster Board" on page 39](#)

### ❸ Ink Maintenance Tank covers

Open these covers when replacing the Ink Maintenance Tank.

Some models have only the right cover.

[☞ "Replacing Ink Maintenance Tanks" on page 162](#)

## Introduction

### 4 Paper basket/Large-capacity paper basket

Output from the printer collects in this basket, keeping the media clean and free of creases.

 ["Using the Paper Basket \(T7270/T5270/T3270\)" on page 45](#)

 ["Using the Large-Capacity Paper Basket \(T7270D/T5270D\)" on page 49](#)

### 5 Casters

There are two casters on each leg. The casters are normally kept locked once the printer is in place.

### 6 Stack guides

**(T7270/T5270/T3270 only)**

Select a guide according to the size of the media output to the paper basket.

 ["Using the Paper Basket \(T7270/T5270/T3270\)" on page 45](#)

### 7 Stack guide switch lever

**(T7270/T5270/T3270 only)**

Use to choose a stack guide.

### 8 Cartridge cover

Open when replacing ink cartridges.

 ["Replacing Ink Cartridges" on page 161](#)

### 9 Ink cartridges

Install all ink cartridges into each slot.

### 10 AC inlet

Connect the supplied power cable here.

### 11 Option port

Use when connecting the options such as the Multifunction Scanner.

### 12 USB port

Use when connecting to a computer using a USB cable.

### 13 LAN port

Connects the LAN cable.

### 14 Data light

The network connection status and data reception are indicated by a lit or flashing light.

On : Connected.

Flashing : Receiving data.

### 15 Status light

The color indicates the network transmission speed.

Off : 10Base-T

Red : 100Base-T

Green : 1000Base-T

### 16 Control panel

 ["Control panel" on page 14](#)

## Introduction

### 17 Alert lamp

This lamp lights or flashes when an error occurs.

Lights or flashes : An error occurred. How the lamp lights or flashes varies with the type of error. The control panel displays a description of the error.

Off : No error.

### 18 Roll rest

When loading roll paper, place it on this rest and attach the roll paper adapters.

 ["Attaching the Roll Paper Adapter" on page 27](#)

### 19 Adapter guides

Guides for attaching roll paper. Move the roll along these guides to attach it to the adapter holder.

 ["Attaching the Roll Paper Adapter" on page 27](#)

### 20 Roll lock lever

A lever that locks roll paper in place after the roll is attached to the adapter holder.

### 21 Adapter holder

The roll paper adapter is placed in this holder after the roll paper is attached.

### 22 Paper slot

The slot through which roll paper and single sheets are fed during printing.

Feed single sheets one at a time.

### 23 Print head

Fires ink via high density nozzles while moving left and right to print.

### 24 Roll paper cover

Cover to protect the roll paper. Except when loading or removing roll paper, it should be closed when using the printer.

### 25 Paper eject guide

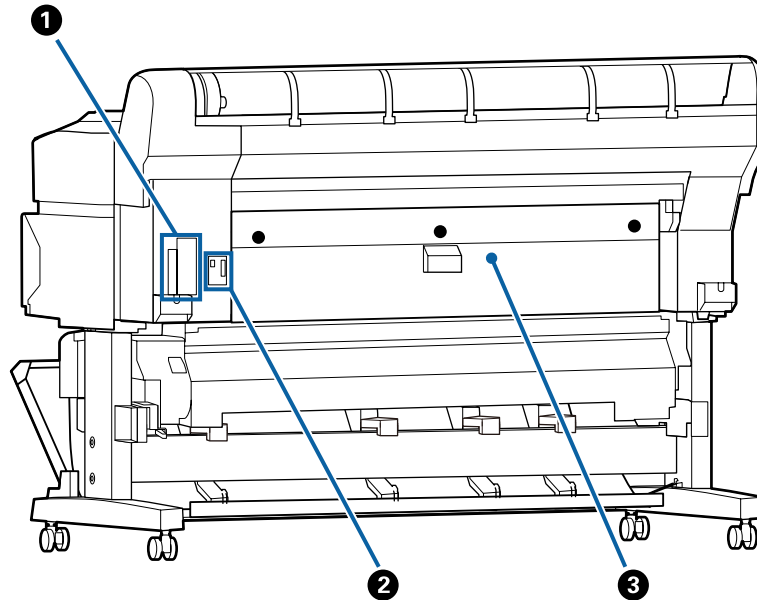
Guides paper output from the printer smoothly into the paper basket.

## Introduction

---

### Back

The illustration shows the T7270D.



**1 Option slot**

Slot to connect the optional hard disk unit or Adobe PostScript 3 Expansion Unit.

**2 Roll 2 unit connector  
(T7270D/T5270D only)**

Connect the connection cable of the Roll 2 unit.

Normally the cable is connected when using the printer.

**3 Rear cover  
(T7270D/T5270D only)**

When roll paper loaded to the Roll 2 unit is jammed, open the cover, and then remove the jammed paper.

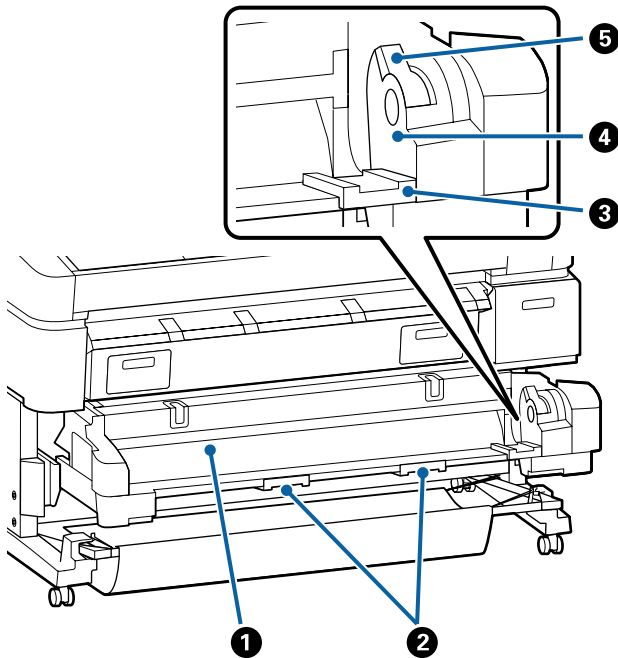
Normally closed when using the printer.

 ["Roll paper jam" on page 179](#)

Introduction

## Roll 2 unit (T7270D/T5270D)

The illustration shows the T7270D.



### 1 Paper slot

Insertion slot to feed roll paper.

["Loading Roll 2 \(T7270D/T5270D only\)" on page 31](#)

### 2 Drawer handles

When you load or remove roll paper, hold these handles and pull out or push in the Roll 2 unit.

["Loading Roll 2 \(T7270D/T5270D only\)" on page 31](#)

### 3 Adapter guides

Move the roll paper adapter loaded with a roll along these guides to attach it to the adapter holder.

["Loading Roll 2 \(T7270D/T5270D only\)" on page 31](#)

### 4 Adapter holder

The roll paper adapter is placed in this holder after the roll paper is attached.

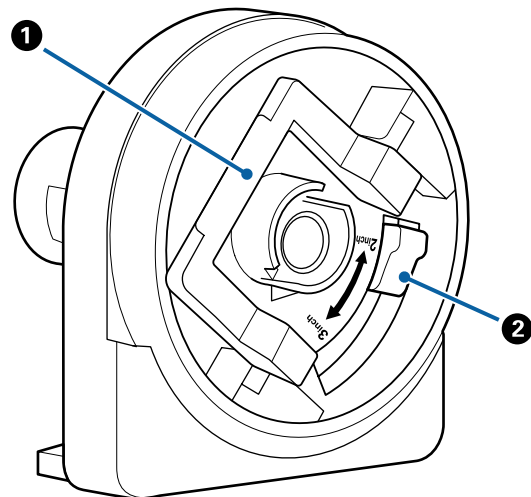
### 5 Roll lock lever

A lever that locks roll paper in place after the roll is attached to the adapter holder.

## Roll paper adapter

Use the supplied roll paper adapter when loading roll paper onto the printer.

["Attaching the Roll Paper Adapter" on page 27](#)



### 1 Adapter lock lever

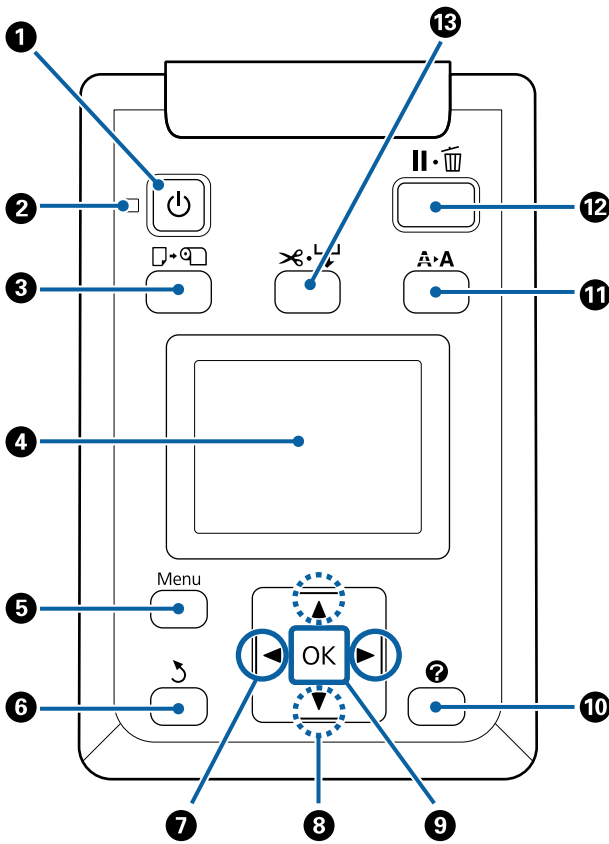
Lift to unlock, lower to lock. Unlock when attaching roll paper to the adapter, lock once the roll is attached.

### 2 Size lever

Position according to the size of the roll core.

Introduction

Control panel



1 **⏻ button (power button)**

Turns the power on and off.

2 **⏻ light (power light)**

The printer's operational status is indicated by a lit or flashing light

On : The power is on.

Flashing : The printer is receiving data or cleaning the print head or performing other operations in the course of being shut down.

Off : The power is off.

3 **📄🗑️ button (Load/Remove Paper button)**

Pressing this button displays the Load/Remove Paper menu. Instructions for loading or removing the paper can be displayed by highlighting either **Remove Paper** or the type of paper currently loaded and then pressing the OK button. Follow the on-screen instructions to load or remove the paper.

4 **Screen**

Displays the printer's status, menus, error messages, and so on. [📖 "Screen View" on page 15](#)

5 **Menu button**

Displays the menu for the tab currently selected in the display. (Excluding the **⏻+** and **⏻-** tabs.)

[📖 "Using the Control Panel Menu" on page 125](#)

6 **↶ button (back button)**

If menus are displayed, pressing this button takes you up one level in the menu hierarchy. [📖 "Menu Operations" on page 125](#)

7 **⬅️➡️ buttons (left and right arrow buttons)**

☐ Use these buttons to select tabs. The selected tab is highlighted and the content of the info display area is updated for the selected tab.

[📖 "Screen View" on page 15](#)

☐ If menus are displayed, these buttons can be used to position the cursor or delete characters when entering text for items such as **Setting Name** or **IP Address**.

8 **▲/▼ buttons (Up/Down buttons)**

When menus are displayed, these buttons can be used to highlight items or options. [📖 "Menu Operations" on page 125](#)

## Introduction

## 9 OK button

- Displays the menu for the tab currently selected in the display.  
[“Using the Control Panel Menu” on page 125](#)
- When menus are displayed and an item is highlighted, pressing this button displays the sub-menu for the highlighted item.
- If pressed while a parameter is selected from the Menu, the parameter is set or executed.

## 10 ? button (Help button)

Except when printing is in progress, pressing this button displays the Help menu. Highlight an item and press the OK button to view help for the highlighted item.

## 11 A&gt;A button (Maintenance button)

Displays the Maintenance menu, which is used for nozzle checks and head cleaning.

[“Adjusting the Print Head” on page 156](#)

## 12 II button (pause/cancel button)

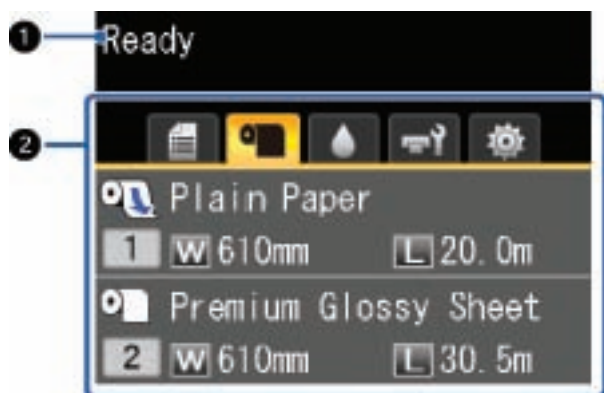
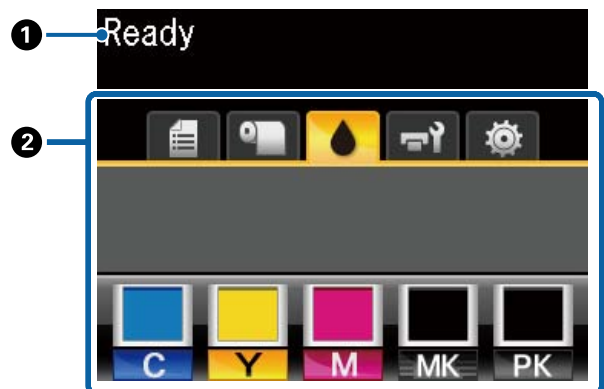
- The printer enters pause status if this is pressed while printing. To release the pause status, press the II button again, or select **Pause Cancel** on the screen and then press the OK button. To cancel print jobs being processed, select **Job Cancel** on the screen and then press the OK button.
- Pressing this button while a menu or help is displayed closes the menu or help and returns the printer to ready status.

## 13 ⏏ button (Feed/Cut Media button)

- This button is used with roll paper only. If the printer is loaded with cut sheets or poster board, pressing this button will have no effect.
- It is used to manually cut roll paper using the built-in cutter.  
[“Manual cut method” on page 33](#)
- If printing is not currently in progress and the printer is loaded with roll paper, you can feed paper ahead by pressing first this button and then the ▼ button. Press the ▲ button to rewind. Keep the ▼ button pressed to feed the paper up to 3 m. Keep the ▼ button pressed to rewind the paper up to 20 cm.

When the ▲ button is used to rewind roll paper, the paper will pause when the end of the roll reaches the starting print position. Release the button and then press it again to resume.

## Screen View



## Introduction

**1 Message**

Displays the printer's status, operation, and error messages.

 ["What to do When a Message is Displayed" on page 168](#)

**2 Tabs/Info Display Area**

The tab/info display area contains the seven tabs listed below.

Use the ◀▶ buttons to select a tab.

Information on the selected tab appears in the info display area.

**📄 : The Print Queues Tab**

Print job information appears in the info display area.

When you press the Menu button, the Print Queues menu appears.

 ["Print Queues menu" on page 132](#)

**The Info Display Area**

The name of the job being printed appears when the printer driver is used.

If an optional hard disk unit or Adobe PostScript 3 Expansion Unit is installed, it also shows the number of held jobs, if any.

**Important:**

*A flashing 📄 icon indicates that an optional hard disk unit or Adobe PostScript 3 Expansion Unit is transmitting data to the printer. Do not disconnect the power cord or turn the printer off while the icon is flashing. Failure to observe this precaution could corrupt the data on the hard disk unit or Adobe PostScript 3 Expansion Unit.*

**📄 : The Paper Tab**


The information of loaded paper appears in the info display area.

When you press the Menu button, the Paper menu appears.

 ["Paper menu" on page 134](#)

**The Info Display Area**

Displays the Source and Media Type of the loaded paper.

When roll paper is used, it also shows the roll width. When **Roll Paper Remaining** is **On**, it shows the amount of roll paper remaining. When the length remaining reaches or falls below the value selected for **Remaining Alert**, a  icon appears above the tab icon and an alert like that shown below is displayed to warn that the printer is nearing the end of the roll.



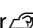
When roll paper is loaded on Roll 1/Roll 2 of the T7270D/T5270D, you can check which is selected (in use) by looking at the icon.



: Indicates a roll that is selected (in use).  
The number indicates either Roll 1 or Roll 2.



: Indicates a roll in a standby state.  
If there is an automatic switching command, this roll is selected for printing.

Automatic switching of roll paper  ["Switching Roll Paper Automatically before Printing \(T7270D/T5270D Only\)" on page 87](#)

**💧 : The Ink Tab**

Shows ink cartridge status in the info display area.

**The Info Display Area**

As shown in the following illustrations, the icon changes based on the status of the ink cartridge.

Normal





Warning or error





## Introduction

### 1 Status indicators

-  : No error. The height of the indicator changes with the level of ink remaining.
-  : Ink is low. You need to prepare a new ink cartridge.
-  : Ink cartridge is expended; replace with a new ink cartridge.
-  : An error occurred. Check the message on the screen, and clear the error.

### 2 Ink color codes

- C : Cyan
- Y : Yellow
- M : Magenta
- M : Matte Black  
K
- P : Photo Black  
K

### : The Maintenance Tab

Displays Ink Maintenance Tank status in the info display area.

When you press the Menu button, the Maintenance menu appears.

["The Maintenance Menu" on page 138](#)

### The Info Display Area

As shown in the following illustrations, the icon changes based on the status of the Ink Maintenance Tank.




Normal



Warning or error



### 1 Status indicators

-  : No error. The height of the indicator corresponds to the amount of space remaining.
-  : The Ink Maintenance Tank is nearing the end of its service life. You need to prepare a new Ink Maintenance Tank.
-  : Ink Maintenance Tank is at the end of its service life. Replace the Ink Maintenance Tank with a new one.

### : The Setup Tab

Shows the specified IP address in the info display area.

When you press the Menu button, the Setup menu appears.

["Setup menu" on page 139](#)

### : The Large Copy Tab

This tab is displayed only when the optional Multifunction Scanner is connected.

In this tab, select a job you want to do, and then press the OK button. When the optional hard disk unit or Adobe PostScript 3 Expansion Unit is installed, you can also use the scan function.

["Large Copying and Large Scanning using the Multifunction Scanner \(Option\)" on page 71](#)

## Introduction

# Features

The main features of this printer are described below.

---

## High Productivity

### High-speed printing

The speeds of the print head and paper feed have been increased for faster printing.

The printer is equipped with a high-speed rotary cutter for quick cutting, significantly increasing productivity.

### Paper basket holds consecutive sheets (T7270/T5270/T3270)


The paper basket accommodates up to 20 sheets of A2/A1/A0/ARCH D/US D/US E plain paper, promoting automation for improved productivity.

 [“Using the Paper Basket \(T7270/T5270/T3270\)” on page 45](#)

### Large-capacity paper basket which can continually accommodate various mixed paper sizes (T7270D/T5270D)

This basket can hold various mixed paper sizes from A1 Landscape size and smaller.

In addition, if you set the basket to the compact position, you can reduce the protrusion of the paper basket so it can be used even in narrow spaces.

 [“Using the Large-Capacity Paper Basket \(T7270D/T5270D\)” on page 49](#)

### Improved operability with an easy to see and use color screen

Designed for intuitive operation, the large, brightly-lit, color LCD display is easy to understand and easy to use.

The large display offers detailed, easy-to-understand error messages and illustrated guides to loading paper.

 [“Screen View” on page 15](#)

### Checking current operating status from a distance with an alert lamp

Errors are immediately obvious even at a distance, thanks to the large, highly visible alert lamp. This helps prevent any wasted time when printing has stopped due to running out of ink or paper.

### Loading two roll papers and increasing productivity (T7270D/T5270D)

You can load roll paper at two locations, Roll 1 (upper section) and Roll 2 (lower section). This feature increases productivity in the following manner.

- Because you can load different types of roll paper in Roll 1 and Roll 2, specify the media type on the printer driver during printing, and switch printing between Roll 1 and Roll 2, you do not need to reset the paper every time you change the media type.

 [“Switching to Roll 1/Roll 2 by Paper Type” on page 87](#)

- If you load different sizes of roll paper in Roll 1 and Roll 2 in advance, the printer switches to the roll paper with the smaller margin during printing automatically in accordance with the document size of the print job. This feature makes it easy to conserve paper.

 [“Switching to Roll 1/Roll 2 by Document Size” on page 89](#)

- When you load the same types and sizes of roll paper in Roll 1 and Roll 2 in advance, and the printer determines that the roll paper remaining is shorter than the print length, it switches to the roll paper that is longer than the print length automatically and continues printing. This feature allows continuous unattended operation.

 [“Switching to Roll 1/Roll 2 by Roll Length” on page 90](#)

---

## High Resolution

Thanks to newly developed Epson UltraChrome XD Ink technology, the printer can be used for high-quality posters and CAD drawings.

### CAD drawings: clear, legible, and with unsurpassed water resistance

Newly-developed, high-density Matte Black ink enables the printer to produce extremely detailed drawings.

Pigmented inks are used for all colors for unsurpassed water resistance, allowing print results to be safely carried out-of-doors.\*<sup>1</sup>

## Introduction

The printer driver offers a line drawing mode, making it easier to optimize printing for line drawing and, through unsurpassed reproduction of line drawing and fine lines in the form of connected lines, diagonals, and curves, ensuring the best possible results when the printer is used for drawings.

### **Vivid, highly lightfast posters and displays**<sup>\*2</sup>

Our new magenta ink improves the reds so important to posters, making them even more noticeable.

The printer driver offers a poster mode that simplifies the printing of vivid posters. Posters with vivid hues can be printed simply by selecting poster mode.

Thanks to the pigmented inks used for all colors, the results are highly water-resistant and can be used for short-term outdoor display. They are also extremely lightfast and fade-resistant and can be safely displayed in direct sunlight.

\*1 When you are printing for outdoor use, use lamination processing.

\*2 It is not possible to obtain the same results for all paper.

---

## Easy to Use

### **Spindle-free roll paper adapter makes loading roll paper a snap**

The lack of a spindle makes it possible to load and remove roll paper even in environments where space is at a premium.

To load roll paper, simply place it on the roll rest and attach roll paper adapters to both ends. The roll rest is low, making it easy even for short workers to load paper.

 [“Attaching the Roll Paper Adapter” on page 27](#)

### **Ease of Maintenance**

Roll paper and all replacements, including ink cartridges, Ink Maintenance Tanks, and cutters, are installed from the front, allowing the printer to be placed against a wall. The printer does not have to be moved to allow rear access.

### **Choose from three sizes of cartridge according to the task**

Choose from 110, 350, and 700 ml cartridges according to the frequency with which the printer is used. Use cost-effective 700 ml cartridges for high-volume poster printing or select individual 110 or 350 ml cartridges for monochrome printing.

### **New printer driver offers greatly improved ease-of-use**

Print settings can be optimized simply by choosing the desired use or target. This spares you the trouble of adjusting print settings individually.

On startup, the printer driver automatically checks the status of the paper loaded in the printer and displays it in the **Media Settings** dialog box, preventing errors caused by failure to check paper status before printing.

The printer driver displays printer settings graphically, reducing errors caused by inappropriate choices of settings.

### **Multifunction Scanner that can be integrated and installed with the printer**

You can connect the optional Multifunction Scanner to the top of the printer when you use the dedicated stand. This feature reduces the installation space and allows you to load documents and print copies at one location.

Furthermore, this feature provides a stress-free workflow because printing starts at high speed after copying.

 [“Large Copying and Large Scanning using the Multifunction Scanner \(Option\)” on page 71](#)

# Notes on Usage and Storage

## Installation space

Make sure that you secure the following space, clear of any other objects, so that paper ejection and consumable replacement are not obstructed.

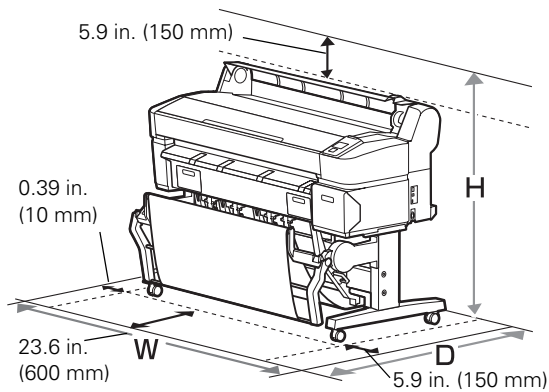
See the “Specifications Table” for the external dimensions of the printer.

[“Specifications Table” on page 201](#)

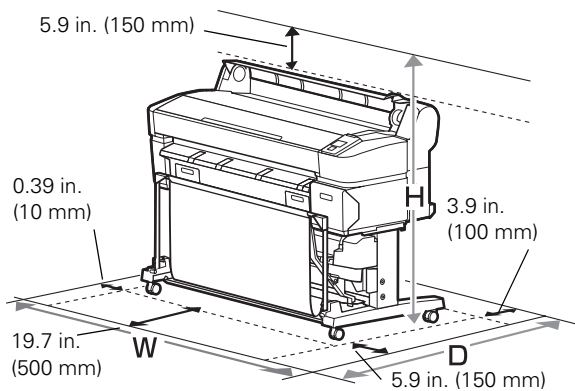
\* When printing on poster board, ensure that there is sufficient space both in front of and behind the printer.

[“Loading and Removing Poster Board” on page 39](#)

### T7270/T5270/T3270



### T7270D/T5270D

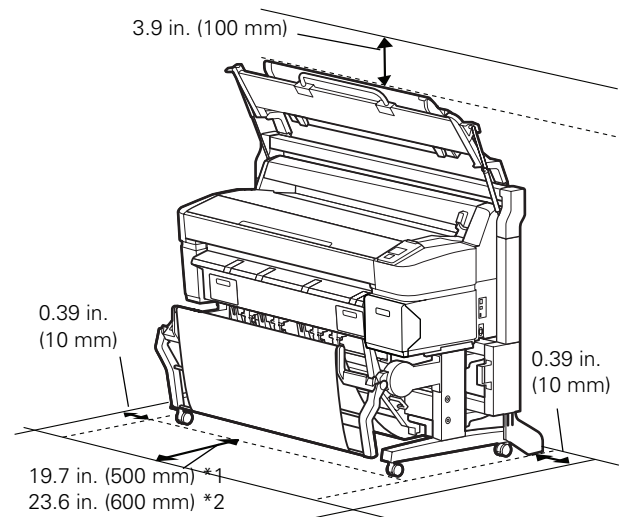


### When the Multifunction Scanner is installed

The following illustration shows the installation space when the dedicated stand is used to attach the Multifunction Scanner.

\* When the thickness of the document to be loaded is .01 inch (0.25 mm) or larger, ensure that there is sufficient space both in front of and behind the printer.

[“How to Load Documents” on page 74](#)



\*1 For T7270D/T5270D

\*2 For T7270/T5270/T3270

## Notes when using the printer

Note the following points when using this printer to avoid breakdowns, malfunctions, and print quality decline.

- When using the printer, observe the operating temperature and humidity range described in the “Specifications Table”.

[“Specifications Table” on page 201](#)

Even when the conditions above are met, you may not be able to print properly if the environmental conditions are not suitable for the paper. Be sure to use the printer in an environment where the paper's requirements are met. For more details, see the documentation supplied with the paper.

Also, when operating in dry areas, air conditioned environment, or under direct sunlight, maintain the appropriate humidity.

## Introduction

- ❑ Do not install the printer next to heat sources or directly in the path of air from a ventilator or air conditioner. Failure to observe this precaution could result in the print head nozzles drying and clogging.
- ❑ The print head may not be capped (i.e., may not move to the right-hand side) if an error occurs and the printer is turned off without first resolving the error. Capping is a function for automatically covering the print head with a cap (lid) to prevent the print head from drying out. In this case, turn on the power and wait a while until capping is performed automatically.
- ❑ When the power is on, do not remove the power plug or cut the power at the breaker. The print head may not be capped properly. In this case, turn on the power and wait a while until capping is performed automatically.
- ❑ Even when the printer is not in use, some ink will be consumed by head cleaning and other maintenance operations needed to keep the print head in good condition.

---

### Notes when not using the printer

If you are not using it, note the following points when storing the printer. If it is not stored correctly, you may not be able to print properly the next time it is used.

- ❑ If you do not print for a long time, the print head nozzles may become clogged. We recommend that you print once a week to prevent the print head from clogging.
- ❑ The roller may leave an impression on paper that is left in the printer. This can also cause wavy or curled paper resulting in paper feeding problems or the print head could be scratched. Remove any paper when storing.
- ❑ Store the printer after confirming that the print head has been capped (the print head is positioned at the far right). If the print head is left uncapped for a long time, the print quality may decline.

**Note:**

*If the print head is not capped, turn the printer on, and then turn it off.*

- ❑ To prevent the accumulation of dust and other foreign matter in the printer, close all covers before placing it in storage.

If the printer will be not be used for an extended period, protect it with an anti-static cloth or other cover.

The print head nozzles are very small, and they can become clogged easily if fine dust gets on the print head, and you may not be able to print properly.

- ❑ When turned on after an extended period of disuse, the printer may automatically perform head cleaning to ensure print quality.

Head cleaning will end after about 10 to 15 minutes.

---

### Notes on handling ink cartridges

Note the following points when handling ink cartridges to maintain good print quality.

- ❑ The supplied ink cartridges and Ink Maintenance Tank are for use during the initial charging. The supplied ink cartridges and Ink Maintenance Tank will be require replacement relatively quickly.
- ❑ We recommend that ink cartridges be stored at room temperature out of direct sunlight and used before the expiry date printed on the packaging.
- ❑ To ensure good results, use all the ink in the cartridge within a year of installation.
- ❑ Ink cartridges that have been stored at low temperatures for an extended period should be allowed to return to room temperature over a period of four hours.
- ❑ Do not touch the IC chips on the tops of the ink cartridges. You may not be able to print properly.
- ❑ Install all ink cartridges into each slot. You cannot print if any of the slots are empty.
- ❑ Do not leave the printer without ink cartridges installed. The ink in the printer may dry, preventing it from printing as expected. Leave ink cartridges in all slots even while you do not use the printer.

## Introduction

- ❑ The ink level and other data are stored in the IC chip, allowing cartridges to be used after being removed and replaced.
- ❑ To avoid getting dirt on the ink supply port, store the removed ink cartridge properly. The ink supply port has a valve in it so it does not need to be capped.
- ❑ Removed ink cartridges may have ink around the ink supply port, so be careful not to get any ink on the surrounding area when removing the cartridges.
- ❑ To maintain the quality of the print head, this printer stops printing before ink cartridges are completely expended.
- ❑ Although the ink cartridges may contain recycled materials, this does not affect printer function or performance.
- ❑ Do not dismantle or remodel ink cartridges. You may not be able to print properly.
- ❑ Do not drop or knock ink cartridges against hard objects; otherwise, the ink may leak.

---

### Notes on handling paper

Note the following points when handling and storing the paper. If the paper is not in good condition, print quality may decline.

Check the documentation supplied with each paper.

### Notes on handling

- ❑ Use Epson special media under normal room conditions (temperature: 59 to 77°F (15 to 25°C), humidity: 40 to 60%).
- ❑ Do not fold the paper or scratch the surface of the paper.
- ❑ Avoid touching the printable surface of the paper with your bare hands. Moisture and oils from your hands can affect print quality.
- ❑ Handle paper by the edges. We recommend wearing cotton gloves.
- ❑ Changes in temperature and humidity may cause paper to become wavy or curled. Be careful not to scratch or soil the paper, and flatten it before loading it in the printer.
- ❑ Do not wet the paper.
- ❑ Do not throw away the paper packaging as you can use it for storing the paper.
- ❑ Avoid locations that are subject to direct sunlight, excessive heat, or humidity.
- ❑ Keep cut sheets in their original package after opening, and keep them in a flat place.
- ❑ Remove roll paper that is not in use from the printer. Rewind it correctly and then store it in the original packaging that came with the roll paper. If you leave the roll paper in the printer for a long time, its quality may decline.

### Notes on handling printed paper

To maintain long lasting, high quality print results, note the following points.

- ❑ Do not rub or scratch the printed surface. If they are rubbed or scratched, the ink may peel off.
- ❑ Do not touch the printed surface; failure to observe this precaution may cause ink to rub off.
- ❑ Make sure the print outs are completely dry before folding or stacking; otherwise, the color may change where they touch (leaving a mark). These marks will disappear if they are separated immediately and dried; however, they will remain if not separated.
- ❑ If you put the print outs in an album before they are completely dry, they may be blurred.
- ❑ Do not use a dryer to dry the print outs.
- ❑ Avoid direct sunlight.
- ❑ Prevent color distortion while displaying or storing the print outs by following the instructions in the paper's documentation.

## Introduction

**Note:**

*Typically, print outs and photos fade over time (color distortion) due to the effects of light and various constituents in the air. This also applies to Epson special media. However, with the correct storage method, the degree of color distortion can be minimized.*

- ❑ *See the documentation supplied with Epson special media for detailed information on handling the paper after printing.*
- ❑ *The colors of photos, posters, and other printed materials appear different under different lighting conditions (light sources<sup>\*</sup>). The colors of print outs from this printer may also appear different under different light sources.*

*\* Light sources include sunlight, fluorescent light, incandescent light, and other types.*

## Introduction

## Provided Software

### Contents of the Software Disk

The provided Software Disk contains the following software. Install as required.

More information can be found in the *Network Guide* (pdf) or via online help for the application in question.

#### For Windows

Software Name	Summary
Epson Driver and Utilities	<p>The following software is installed.</p> <p><b>Printer Driver</b> The printer driver is required when using the printer. It can be installed by selecting Install during setup. <a href="#">☞ "Summary of the Printer Driver" on page 26</a></p> <p><b>EPSON LFP Remote Panel 2</b> This software is used for custom paper settings and other configurations.</p>
Epson Network Utilities	<p>Select this option during installation if the printer and computer are connected via a network. Installing this utility allows a wizard to be used to simplify the process of setting the addresses needed for network connections.</p> <p>EpsonNet Print is also installed. With this software, you can perform direct TCP/IP printing when the computer and the printer are connected via a network.</p>
EpsonNet Config	<p>With this software, you can configure various network settings for the printer from your computer. This is useful as it allows you to enter addresses and names using the keyboard.</p> <p>The manual is also installed along with the software.</p>
LFP Print Plug-In for Office	<p>This is a plug-in for Microsoft Office applications (Word, Excel, and PowerPoint). Installing this plug-in displays a ribbon in Office applications that gives quick access to horizontal and vertical banner printing and enlarged printing.</p> <p>Before installing the plug-in, check the following.</p> <ul style="list-style-type: none"> <li><input type="checkbox"/> Office 2003, Office 2007, Office 2010 or Office 2013 is installed.</li> <li><input type="checkbox"/> None of these applications (Office 2003, Office 2007, Office 2010 or Office 2013) is running.</li> </ul> <p>This plug-in is not included in some regions.</p>

#### For Mac OS X

Software Name	Summary
Epson Driver and Utilities	<p>The following software is installed.</p> <p><b>Printer Driver</b> The printer driver is required when using the printer. It can be installed by selecting Install during setup. <a href="#">☞ "Summary of the Printer Driver" on page 26</a></p> <p><b>EPSON LFP Remote Panel 2</b> This software is used for custom paper settings and other configurations.</p>



## Introduction

Software Name	Summary
Epson Network Utilities	Select this option during installation if the printer and computer are connected via a network. Installing this utility allows a wizard to be used to simplify the process of setting the addresses needed for network connections.
EpsonNet Config	With this software, you can configure various network settings for the printer from your computer. This is useful as it allows you to enter addresses and names using the keyboard.  The manual is also installed along with the software.

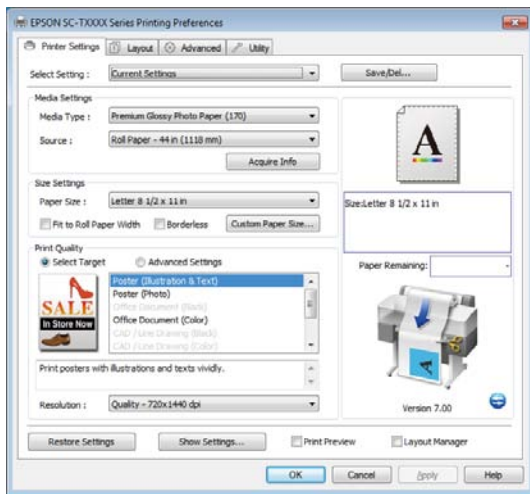
## Introduction

### Summary of the Printer Driver

The main functions of the printer driver are described below.

- ❑ Converts print data received from applications into printable data and sends it to the printer.
- ❑ Settings such as document size and print quality can be adjusted from the settings dialogs.

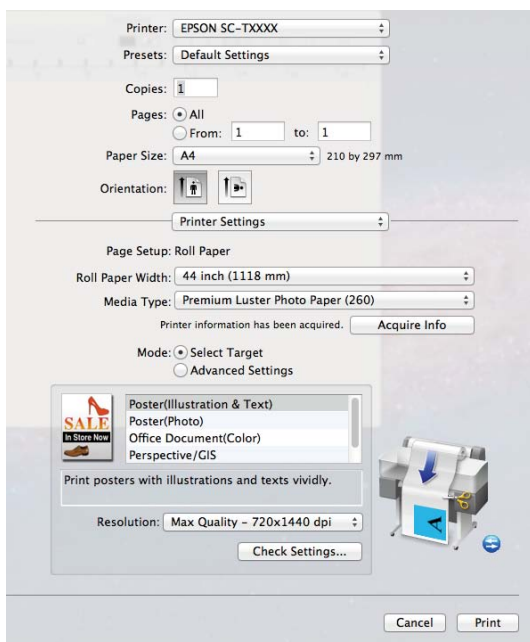
#### Windows



You can save these settings and easily import or export these saved settings.

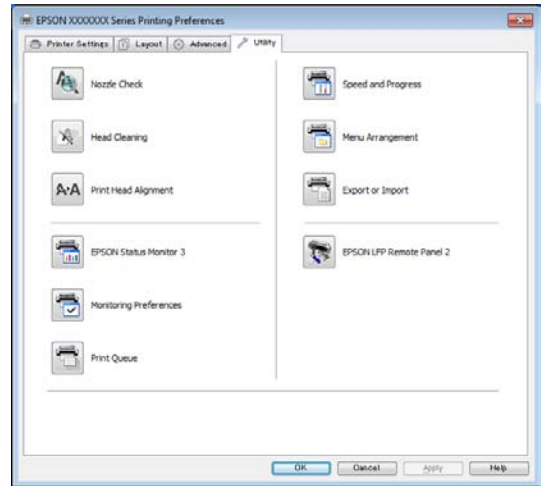
[“Customizing the Printer Driver” on page 117](#)

#### Mac OS X



- ❑ Allows you to execute printer maintenance functions to maintain print quality, check the printer's status, and so on.

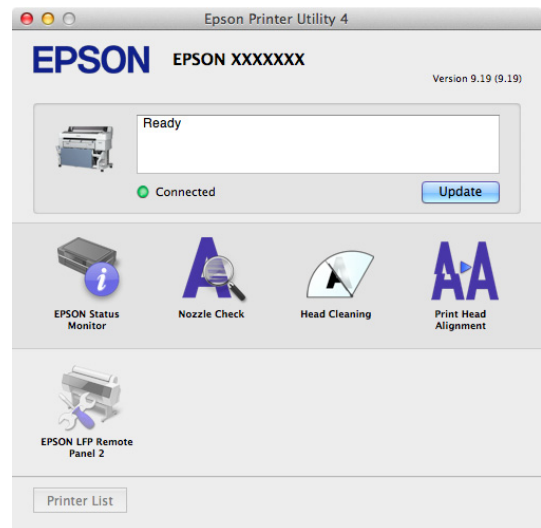
#### Windows



You can easily import or export printer driver settings.

[“Overview of the Utility Tab” on page 119](#)

#### Mac OS X



# Basic Operations

## Loading and Removing the Roll Paper

Load roll paper after attaching the supplied roll paper adapters.



**Important:**

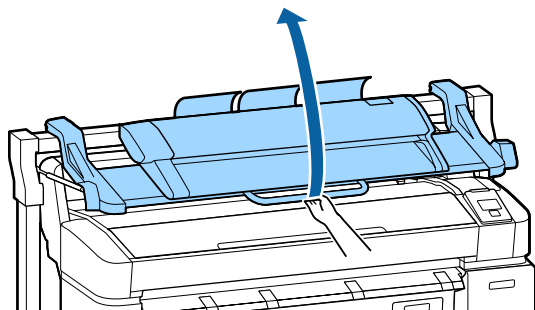
Insert the paper just before printing. The roller may leave an impression on paper that is left in the printer.

**Note:**

- ❑ The paper that can be used in the printer is detailed in the following section.

➤ [“Supported Media” on page 187](#)

- ❑ When the optional Multifunction Scanner has been attached to the printer using the dedicated stand, raise the scanner until you hear a click.

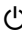


On the T7270D/T5270D, the methods for loading roll paper on Roll 1 and Roll 2 are different. After attaching the roll paper adapter, see the following sections.

Loading on Roll 1 ➤ [“Loading Roll Paper on Roll 1” on page 28](#)

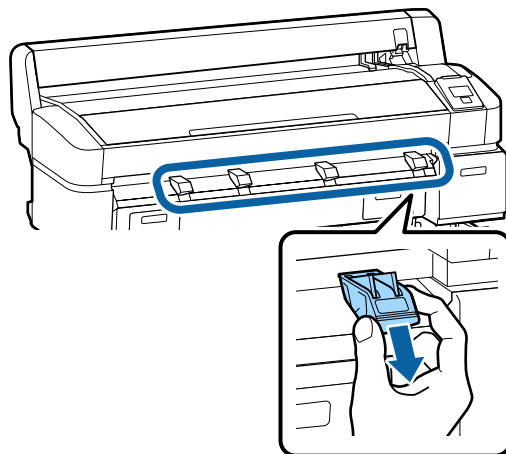
Loading on Roll 2 ➤ [“Loading Roll 2 \(T7270D/T5270D only\)” on page 31](#)

## Attaching the Roll Paper Adapter

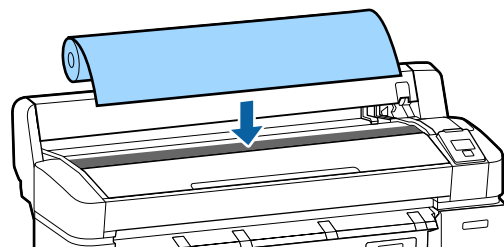
- 1 Turn on the printer by pressing the  button.

**Note:**

- ❑ Closing the paper basket makes the work easier.  
T7270/T5270/T3270 ➤ [“Storing and Opening” on page 46](#)  
T7270D/T5270D ➤ [“Storing” on page 49](#)
- ❑ Leaving the poster board supports raised can cause jams; lower all the supports before proceeding. To lower the supports, grasp them, pull them diagonally downward, and then release.



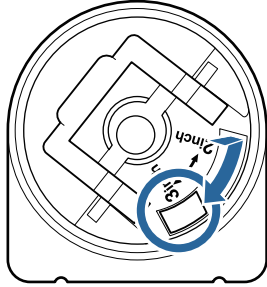
- 2 Place roll paper on the roll rest on top of the printer.



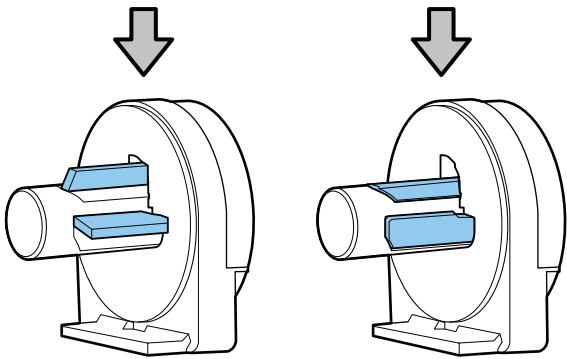
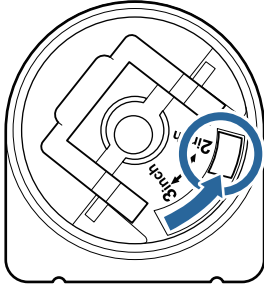
## Basic Operations

- 3 Move the size switch levers of the two supplied roll paper adapters in accordance with the roll-core size of the roll paper to be loaded.

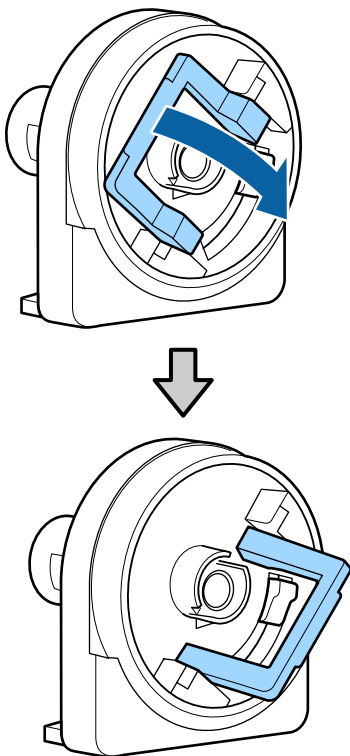
3-inch core



2-inch core

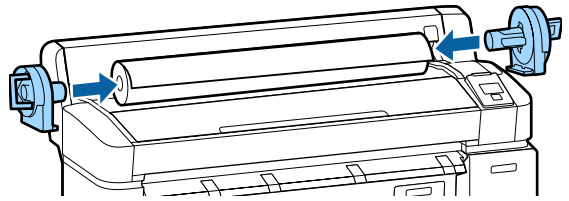


- 4 Raise the adapter lock lever to release the lock on each of the two roll paper adapters.

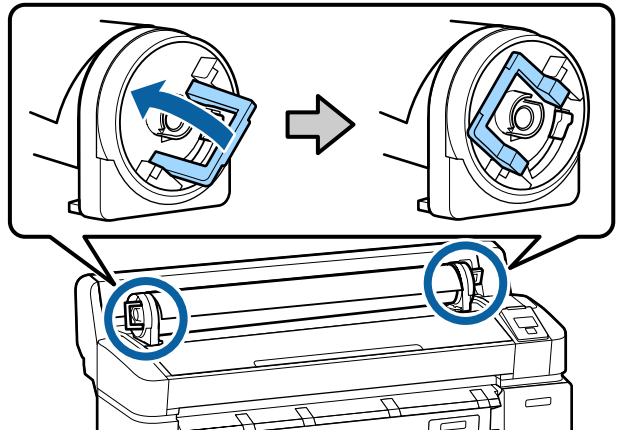


- 5 Attach an adapter to each end of the roll.

Press the adapters in until they are fully inserted in the roll, with no gaps.

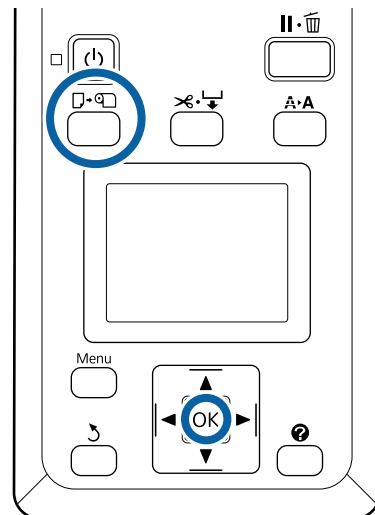


- 6 Lower the lock levers to lock the adapters in place.



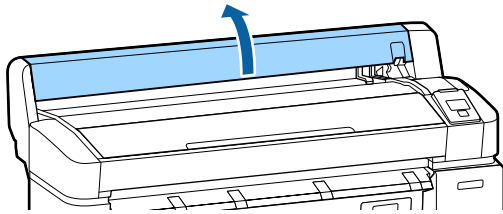
### Loading Roll Paper on Roll 1

Buttons that are used in the following settings

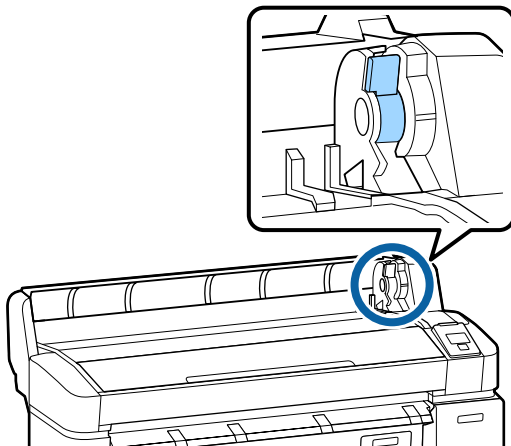


## Basic Operations

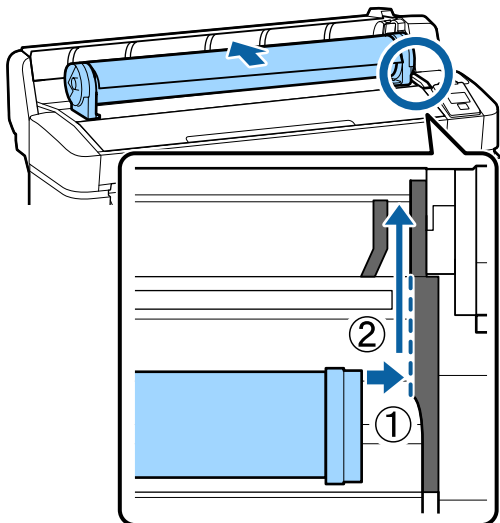
- 1 Open the roll paper cover.

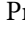


- 2 Confirm that the adapter holder lock lever is raised.



- 3 Slide the roll paper right until it contacts the adapter guide. Next, following the adapter guide, slide the roll slowly inside.



- 4 Press the  button on the control panel. Confirm that **Roll Paper** or **Roll 1** is highlighted in the display and press the OK button.

- 5 Make sure that the roll paper is free of slack and the end is not folded, and then insert it into the paper slot.

### When the Auto Loading is set to On on the T7270D/T5270D

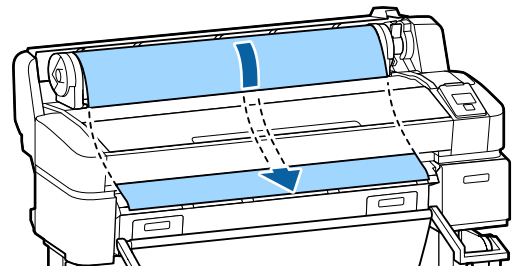
When roll paper is being inserted, a beep tone sounds. If you hear the sound, proceed to Step 6.

### T7270/T5270/T3270

#### When the Auto Loading is set to Off on the T7270D/T5270D.

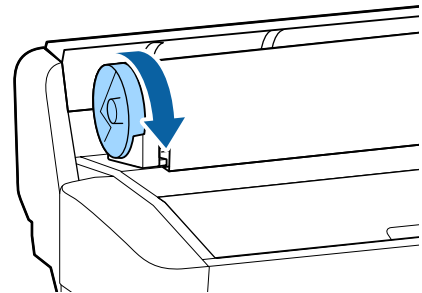
Pull the edge of the paper straight outside the printer as shown.

If the edge of the paper is not horizontal or not cut cleanly, you can use the built-in cutter to make a cut in Step 6.



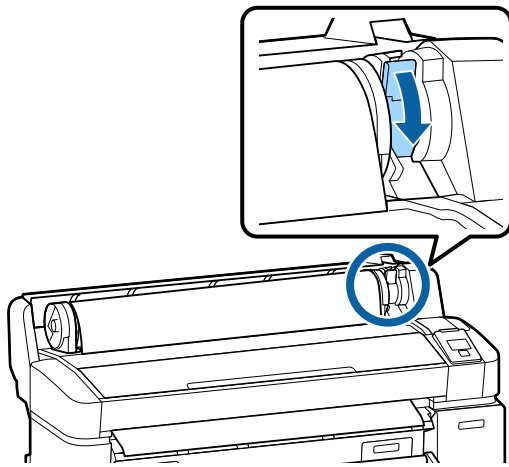
#### Note:

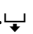
*Do not touch the paper where it will be printed. After loading the roll paper, rotate the roll paper adapters as shown to feed the paper through.*



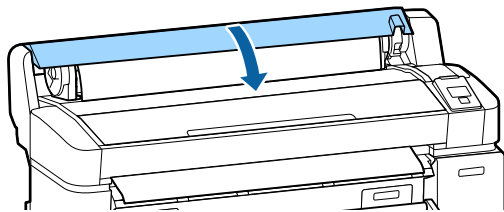
## Basic Operations

- 6 Lower the roll paper lock lever, and then press the OK button.



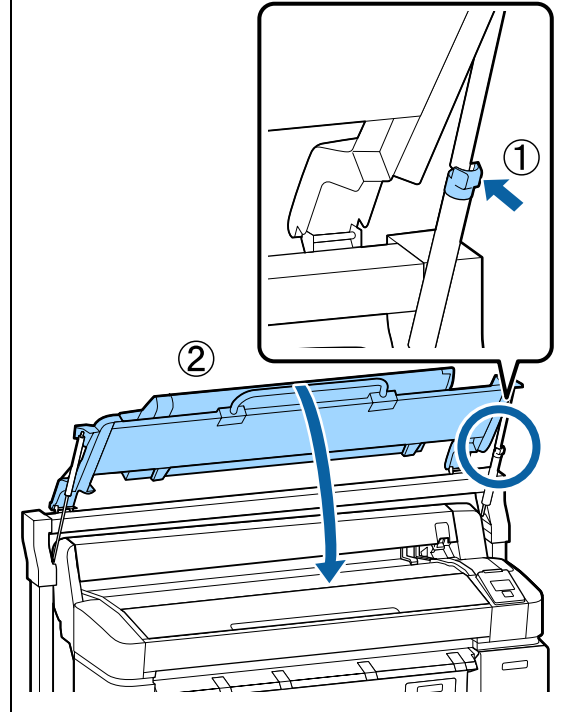
When the **Auto Loading** setting is set to **Off** on the T7270/T5270/T3270 or T7270D/T5270D, you can cut the edge of the roll paper with the built-in cutter by pressing the OK button, and then pressing the  button within 5 seconds.

- 7 Close the roll paper cover.



**Note:**

When the optional Multifunction Scanner has been raised upon loading roll paper, make sure to return the scanner back in place for use.



- 8 Check the media type.

**If an identification barcode is printed on the roll**

When the paper is loaded, the barcode is read automatically, and the Media Type and Roll Paper Remaining settings are configured automatically.

After **Ready** is displayed, you can print.

**If an identification barcode is not printed on the roll**

The display shows the Media Type currently selected with the printer.

To print with the displayed settings, use the ▼/▲ buttons to select **Keep Settings Above**, and press the OK button.

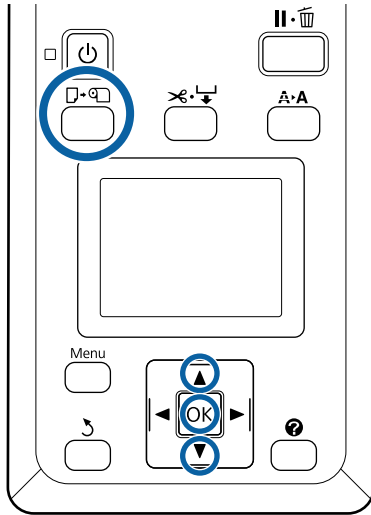
To change the settings, select **Change Settings**, and press the OK button.




 [“Viewing and Changing Media Settings” on page 43](#)

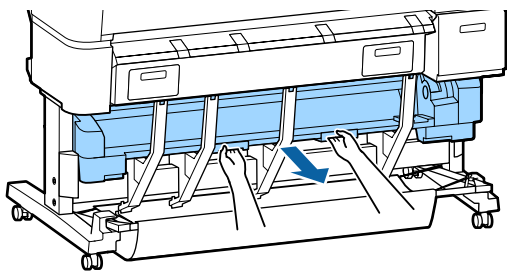
Basic Operations

## Loading Roll 2 (T7270D/T5270D only)

Buttons that are used in the following settings



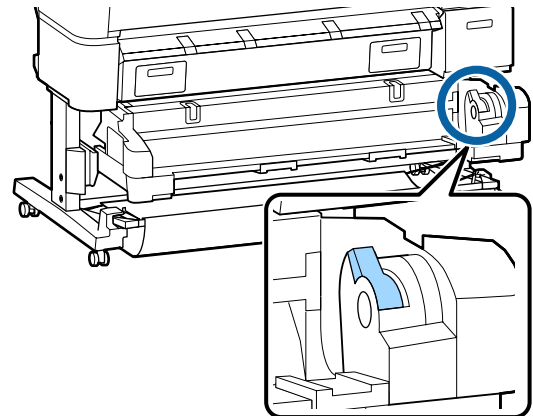
- 1 Lower the paper basket to the horizontal position.  
 ↗ “Adjusting the Position” on page 50
- 2 Press the  button on the control panel.  
 Use the / buttons to select **Roll 2** and press the OK button.
- 3 Hold the drawer handles of Roll 2 unit, and then pull the unit out.



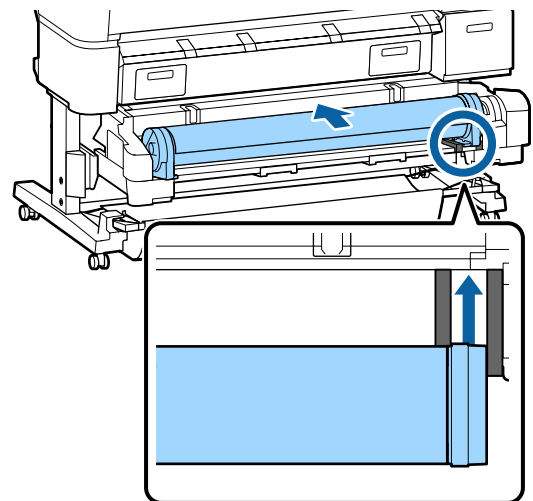
**Important:**

Do not pull out the Roll 2 unit unless you are instructed to do so by the control panel screen. If the unit is carelessly pulled out while paper is loaded, paper jams or paper damage may occur.

- 4 Confirm that the roll paper lock lever is raised.



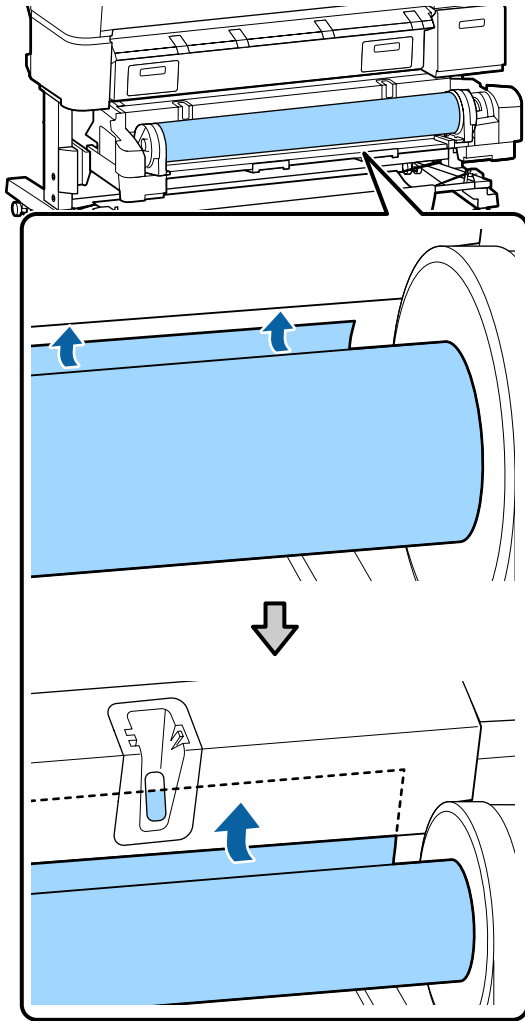
- 5 Place the roll paper adapters on the adapter guides so the flat surfaces of the adapters is facing down. Next, following the adapter guides, slide the roll slowly inside.



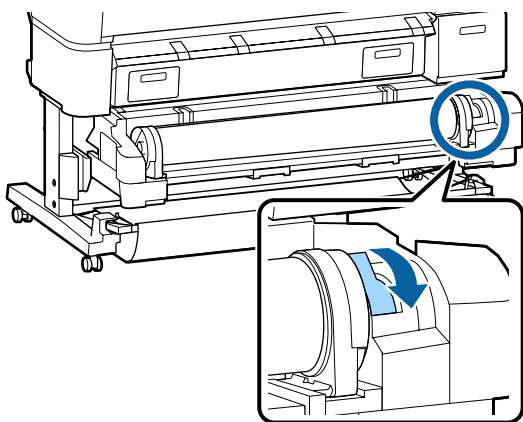
- 6 Make sure that the roll paper is free of slack and the end is not folded, and then insert it into the paper slot.

## Basic Operations

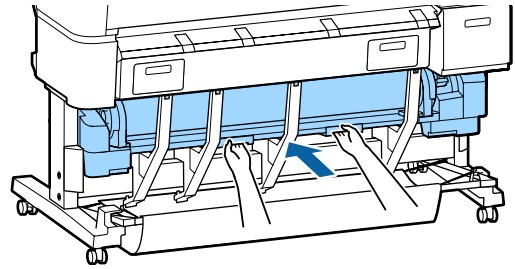
If roll paper is being inserted, paper is loaded automatically, and a beep tone sounds.



7 Lower the roll lock lever.



8 Set the Roll 2 unit, and then press OK button.



9 Check the media type.

### If a barcode giving information on the paper is printed on the roll

When the paper is loaded, the barcode is read automatically, and the Media Type and Roll Paper Remaining settings are configured automatically.

After **Ready** is displayed, you can print.

### If a barcode giving information on the paper is not printed on the roll

The display shows the Media Type currently selected with the printer.

To print with the displayed settings, use the ▼/▲ buttons to select **Keep Settings Above**, and press the OK button.

To change the settings, select **Change Settings**, and press the OK button. [Viewing and Changing Media Settings](#) on page 43

## Cutting the roll paper

The printer is equipped with a built-in cutter. You can cut roll paper after printing by using one of the following methods.

### Auto Cut:

The cutter cuts automatically at a determined position each time a page is printed in accordance with the setting of the printer driver or control panel menu.

### Manual cut:

The cutting position is specified on the control panel, and then the roll paper is cut. A cutline is printed for manual cutting and can be used as a guide when cutting paper using the built-in cutter.



## Basic Operations

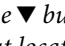
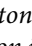


### Important:

The commercially available media types, such as those shown below, may not be cut cleanly by the built-in cutter. Furthermore, cutting the following media types may damage or reduce the lifetime of the built-in cutter.

- Fine art paper
- Canvas
- Vinyl
- Matte poster board
- Adhesive paper
- Banner media

Cut these media types with commercially available scissors or a cutter in the following manner:

Press the  button. Keep the  button pressed to feed the paper so that the cut location is below the paper eject guide. Cut the paper using scissors or a third-party cutter.

When you are using the T7270D/T5270D, we recommend loading these paper types in Roll 1.

## Setting Auto Cut

You can specify the method either on the control panel or the printer driver. Note, however, that the setting selected with the printer driver takes priority when the printer driver is used.

### Note:


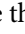

- Disable printer driver **Auto Cut** and printer **Auto Cut** options when using the optional auto take-up reel unit.
- It may take a while to cut the roll paper.
- If the cutting noise is bothersome, set **Cutting Mode** to **Silent**.

 "Setup menu" on page 139

## Setting on the computer

Set **Auto Cut** from the **Advanced** tab - **Roll Paper Option** in the printer driver's **Properties** (or **Printing preferences**) screen.

## Setting from the printer

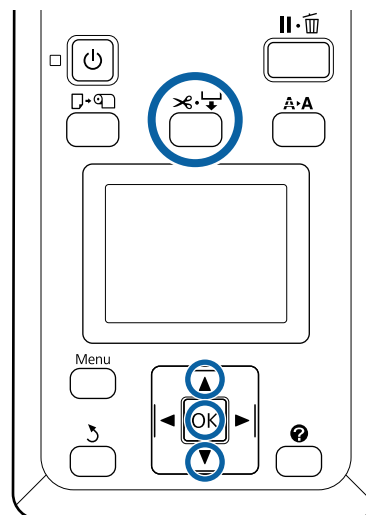
Use the   buttons of the control panel to select the  tab and press the OK button or Menu button. In the displayed Setup menu, select **Printer Setup** > **Roll Paper Setup** > **Auto Cut** > **On**. For manual cutting, select **Off**. The default setting is **On**.

 "Setup menu" on page 139

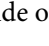


## Manual cut method

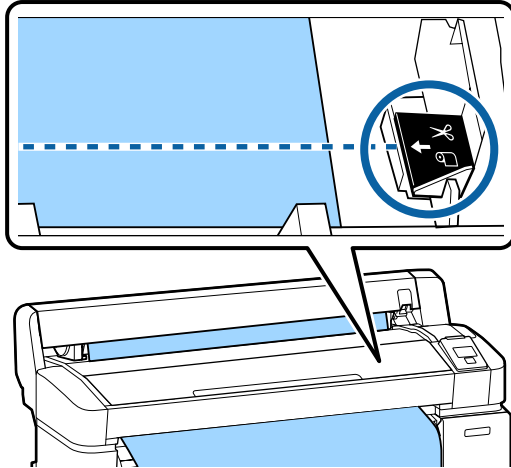
When **Off** is selected in the printer driver or **Off** is selected for **Auto Cut** in the control panel, the paper can be cut in any location after printing as described below.

Buttons that are used in the following settings



## Basic Operations

- 1 Press the  button. Viewing the interior of the printer without opening the printer cover, press the  button to align the cut location with the  mark on the right side of the printer's interior.



**Note:**

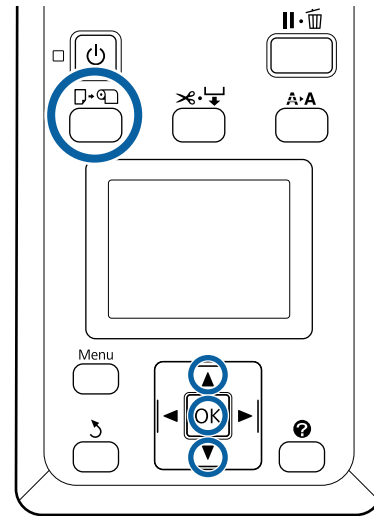
The minimum length of paper that can be cut with the built-in cutter is fixed at 2.4 to 5.0 inches (60 to 127 mm) and cannot be changed. If the cutting position is shorter than the shortest length above, the paper has to be automatically fed to that length, and thus extra paper will be included. Cut off the extra paper with a cutter sold at a store.

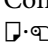
- 2 Press the OK button.  
The paper is cut by the built-in cutter.

### Removing Roll paper or Roll 1

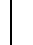
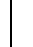
This section describes how to remove and store roll paper after printing. The pressure rollers may leave impressions on paper that is left in the printer.

Buttons that are used in the following settings



- 1 Confirm that the printer is ready and press the  button.

The Load/Remove Paper menu will be displayed.

- 2 Press the  /  buttons to highlight **Remove Paper** and press the OK button.

If you are using the T7270D/T5270D and roll paper is also loaded on Roll 2, select **Roll 1**, and then press the OK button.

If **On** is selected for **Roll Paper Remaining**, the printer will automatically print a barcode.

- 3 The paper will automatically be rewound.

**T7270/T5270/T3270**

Once the paper is rewound, the printer will display **Press**  and **load paper**.

**T7270D/T5270D**

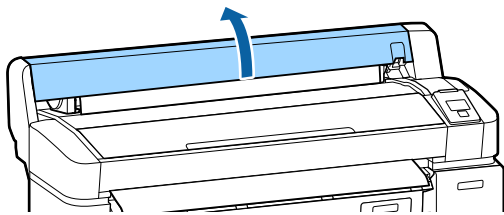
After the paper is rewound, a beep tone sounds.

**Note:**

When the display shows **Turn roll paper adapter to wind up roll paper**, open the roll paper cover and rewind the paper by hand.

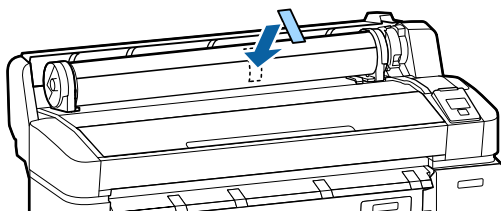
## Basic Operations

- 4 Open the roll paper cover.

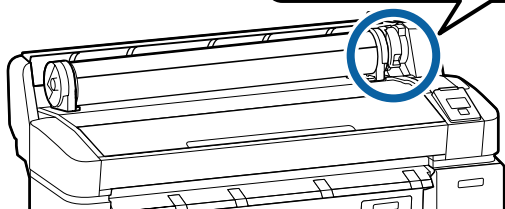
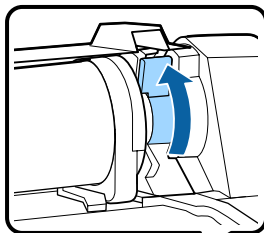


**Note:**

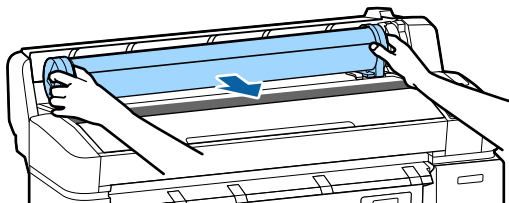
When removing the roll paper, you can use the optional roll paper belt to prevent the roll paper from unwinding.



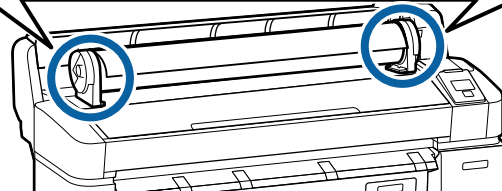
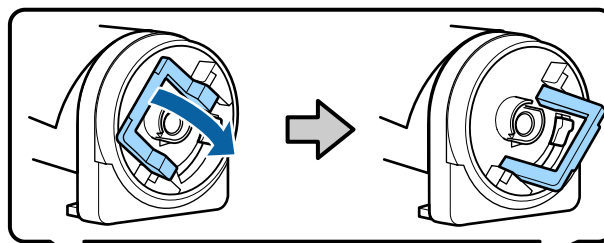
- 5 Raise the roll lock lever.



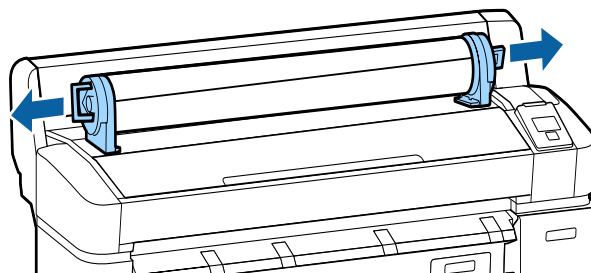
- 6 Holding the paper by the roll adapters, move the roll to the roll rest.



- 7 Lift the adapter lock levers to release the roll paper adapters.



- 8 Remove the roll paper adapters.



After rewinding the roll paper carefully, store it in the original package.

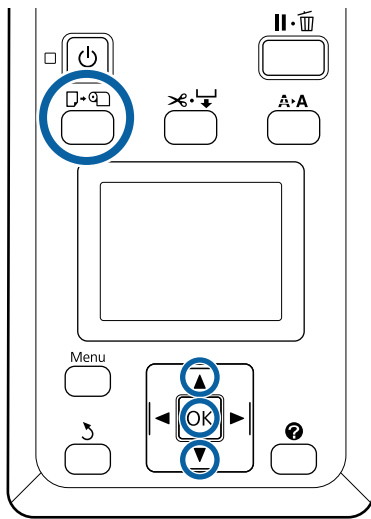
Close the roll paper cover.

### Removing Roll 2 (T7270D/T5270D only)

This section describes how to remove and store roll paper of Roll 2 after printing. The pressure rollers may leave impressions on paper that is left in the printer.

## Basic Operations

Buttons that are used in the following settings



- 1 Confirm that the printer is ready and press the button.

The Load/Remove Paper menu will be displayed.

- 2 Press the / buttons to highlight **Remove Paper** and press the OK button.

If roll paper is also loaded on Roll 1, select **Roll 2**, and then press the OK button.

If On is selected for Roll Paper Remaining, the printer will automatically print a barcode.

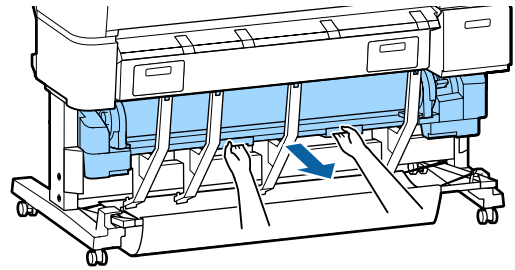
- 3 The paper will automatically be rewind.

After the paper is rewind, a beep tone sounds.

- 4 Lower the paper basket to the horizontal position.

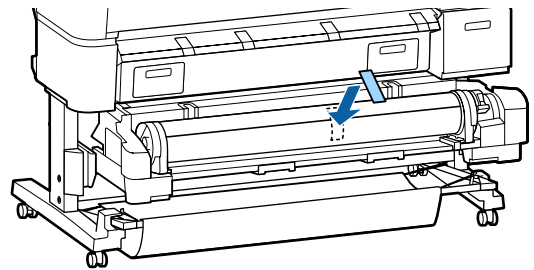
[“Adjusting the Position” on page 50](#)

- 5 Hold the drawer handles of Roll 2 unit, and then pull the unit out.

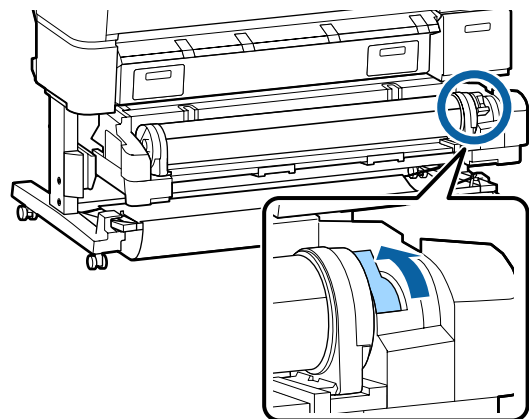


**Note:**

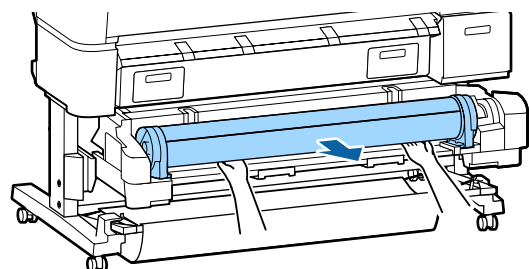
When removing the roll paper, you can use the optional roll paper belt to prevent the roll paper from unwinding.



- 6 Raise the roll lock lever.

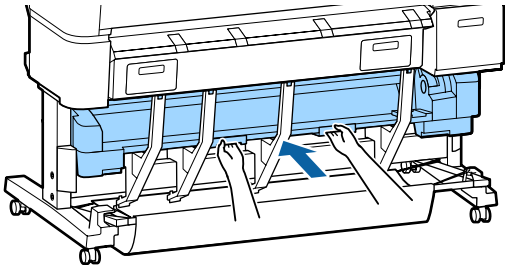


- 7 Move the roll paper to the roll rest on top of the printer.

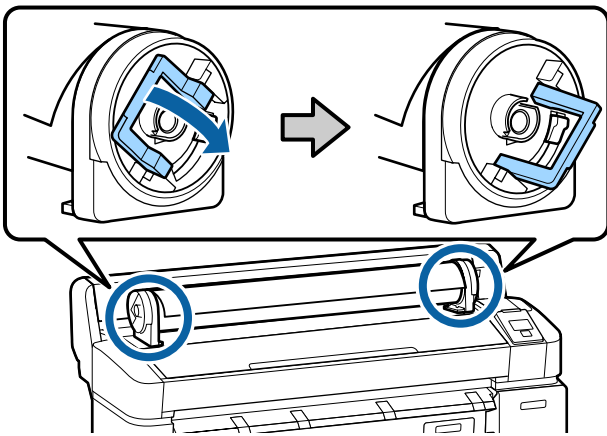


## Basic Operations

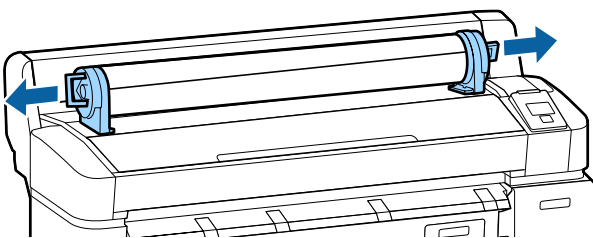
- 8 Slide the Roll 2 unit back into the printer.



- 9 Lift the adapter lock levers to release the roll paper adapters.



- 10 Remove the roll paper adapters.



After rewinding the roll paper carefully, store it in the original package.

## Loading and Removing Cut Sheets

The procedure for loading and positioning cut sheets varies with the thickness of the paper.

.003 to .03 inches (0.08 to 0.8 mm) ➤ [“Loading Cut Sheets” on page 37](#)

.03 to .06 inches (0.8 to 1.5 mm) ➤ [“Loading Poster Board” on page 39](#)



**Important:**

*If the paper is wavy or curled, flatten the paper before loading it in the printer, or use new paper. If wavy or curled paper is loaded, this printer may not be able to recognize the paper size, feed the paper, or print correctly.*

*We recommend that you return the paper to its original package and store it flat, and take it out of the package just before you use it.*

## Loading Cut Sheets



**Important:**

*Insert the paper just before printing. The pressure rollers may leave impressions on paper that is left in the printer.*

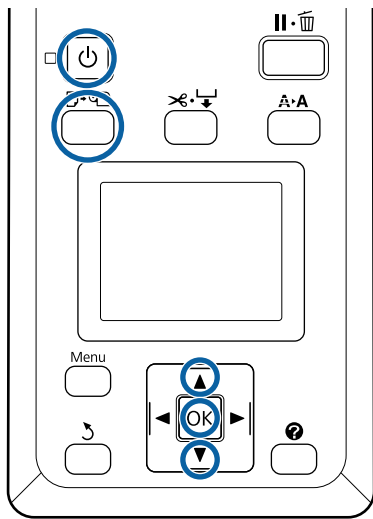
**Note:**

*The paper that can be used in the printer is detailed in the following section.*

➤ [“Supported Media” on page 187](#)

## Basic Operations

Buttons that are used in the following settings



- 1 Turn on the printer by pressing the button.

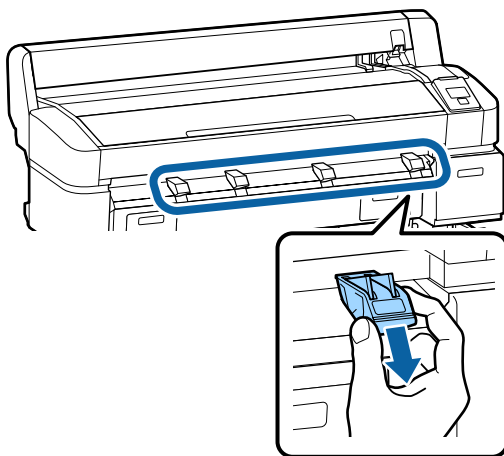
**Note:**

- ❑ Closing the paper basket makes the work easier.

T7270/T5270/T3270 [“Storing and Opening” on page 46](#)

T7270D/T5270D [“Storing” on page 49](#)

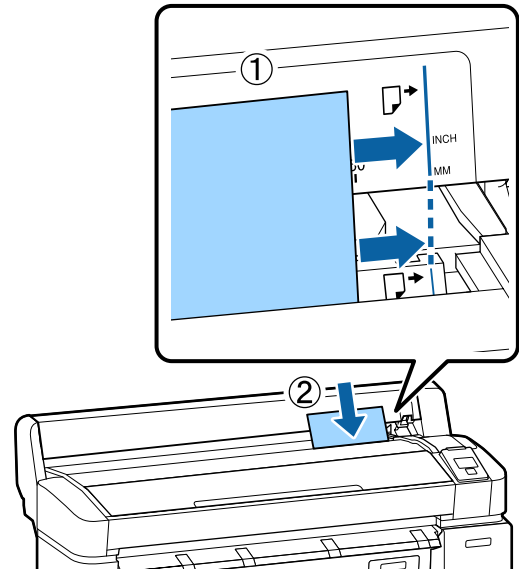
- ❑ Leaving the poster board supports raised can cause jams; lower all the supports before proceeding. To lower the supports, grasp them, pull them diagonally downward, and then release.



- 2 Press the button on the control panel. Press the button to highlight **Cut Sheet** and press the OK button.

- 3 Feed the paper into the paper slot with the printable surface toward you.

Insert the paper into the paper slot, keeping its right edge aligned with the loading mark on the roll paper cover. Slide the paper in until it stops.



**Important:**

Insert all paper in portrait orientation. Inserting paper in landscape orientation may cause a decline in print quality.

- 4 Confirm that **Press OK** is displayed and press the OK button.

The paper will be fed into the printer.

- 5 Check the media type.

The display shows the type of paper currently selected with the printer. To print with the displayed settings, use the / buttons to select **Keep Settings Above**, and press the OK button. To change the settings, select **Change Settings**, and press the OK button.

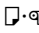
[“Viewing and Changing Media Settings” on page 43](#)

## Basic Operations

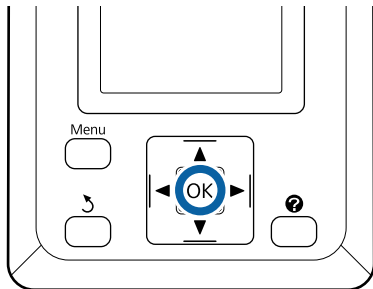
### Removing Cut Sheets

This section describes how to remove cut sheets when printing is complete.

**Note:**

To remove paper that was loaded but not used, press the  button and select **Remove Paper**.

Buttons that are used in the following settings



- 1 Confirm that **Paper Eject** is displayed in the control panel.  
Keeping a hand on the cut sheets to prevent them falling from the printer, press the OK button.
- 2 The paper will be fully ejected from the printer and can then be removed by hand.

### Loading and Removing Poster Board

This section describes how to load and remove poster board from 0.8 to 1.5mm thick.

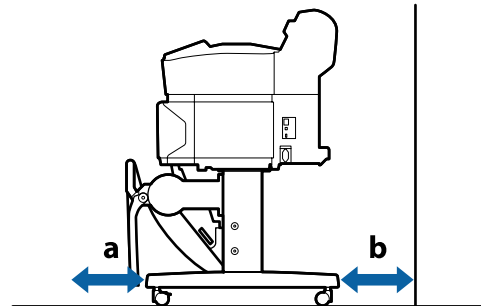
The printer can be used with board of the following sizes.

A2/A1/B2/B1\*/B1 landscape\*/24 × 30 inch/30 × 40 inch\*

\* Not supported by the T3270.

### Loading Poster Board

Poster board requires space both behind and in front of the printer. The approximate amount of space required is shown below. If the printer is set up near a wall, make sure there is enough space at the rear.



Paper Size	Front (a)	Back (b)
A2	17.4 inches (444 mm)	5.3 inches (135 mm)
A1	27.2 inches (691 mm)	15.0 inches (382 mm)
24 × 30 inch	24.1 inches (612 mm)	11.9 inches (303 mm)
30 × 40 inch	34.1 inches (866 mm)	21.9 inches (557 mm)



**Important:**

Insert the paper just before printing. The roller may leave an impression on paper that is left in the printer.

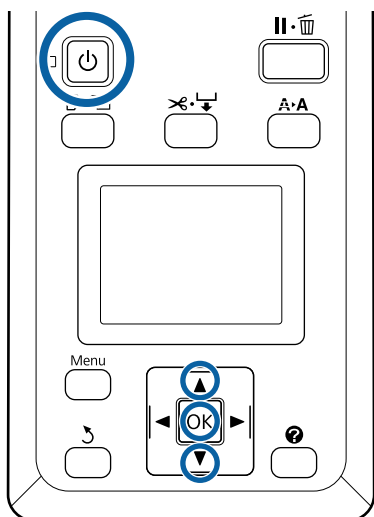
## Basic Operations

**Note:**

The paper that can be used in the printer is detailed in the following section.

☞ "Supported Media" on page 187

Buttons that are used in the following settings



- 1 Turn on the printer by pressing the button.

**Note:**

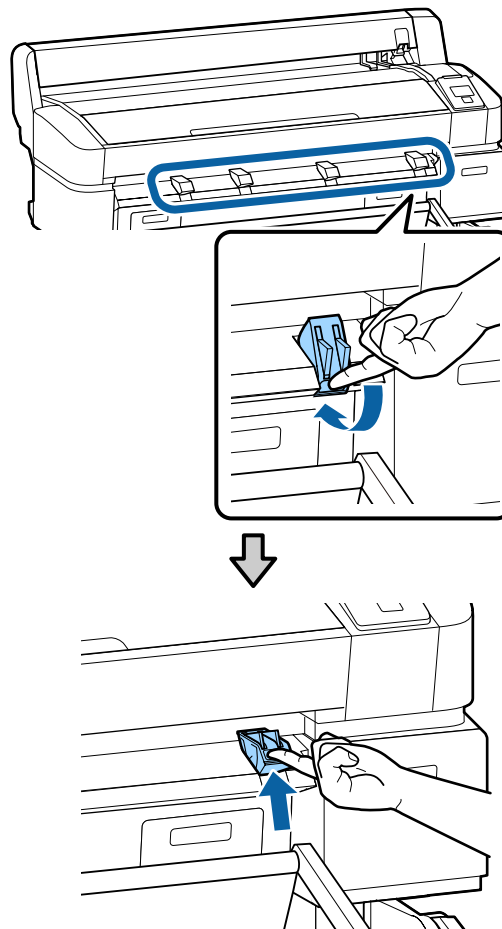
Closing the paper basket makes the work easier.

T7270/T5270/T3270 ☞ "Storing and Opening" on page 46

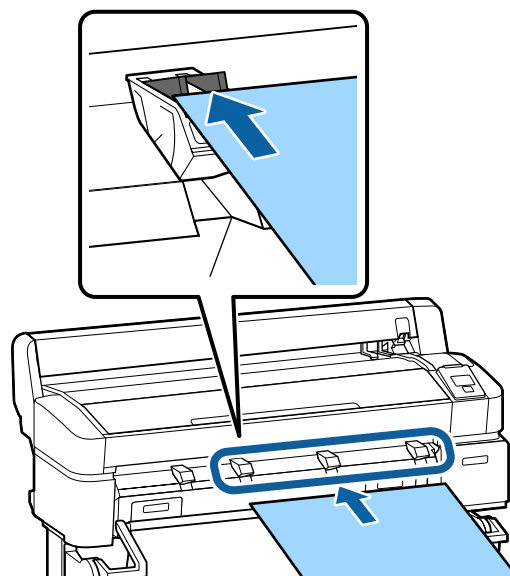
T7270D/T5270D ☞ "Storing" on page 49

- 2 Press the button on the control panel. Press the button to highlight **Poster Board** and press the OK button.
- 3 Raise all the poster board supports.

Press the supports diagonally downwards and then lift them straight up.



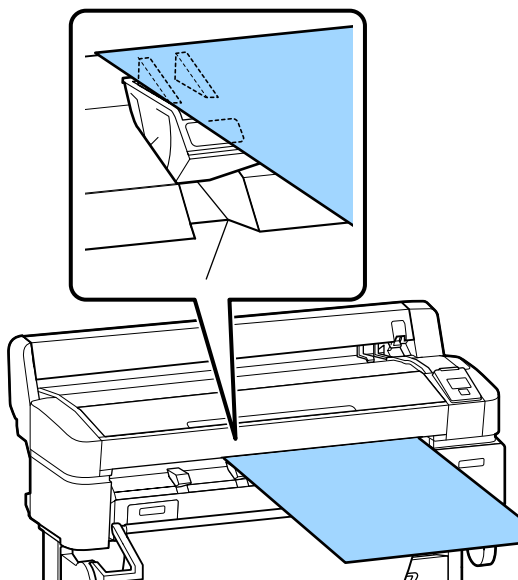
- 4 Place the side to printable face up with its edge in front of the projecting supports as shown.



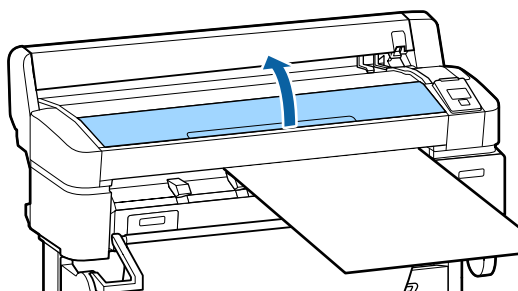


### Basic Operations

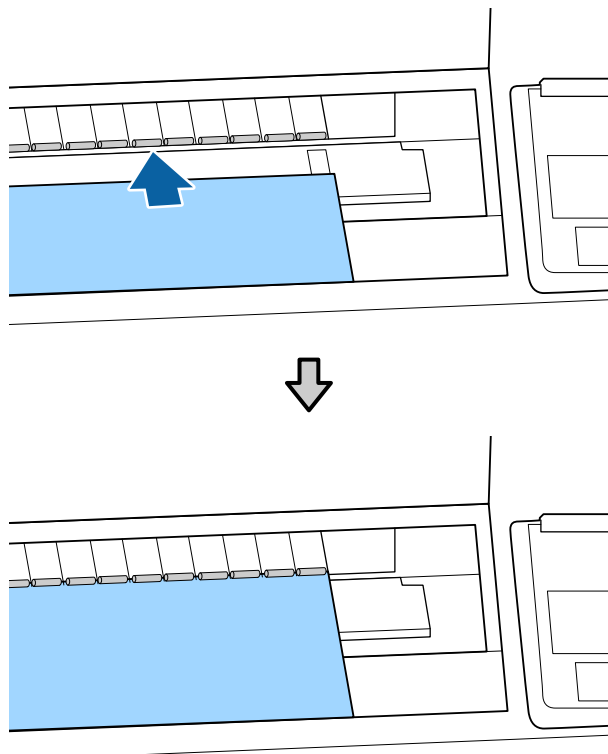
- 5 Insert the board, using the edge to keep the supports pressed down.



- 6 Open the printer cover.

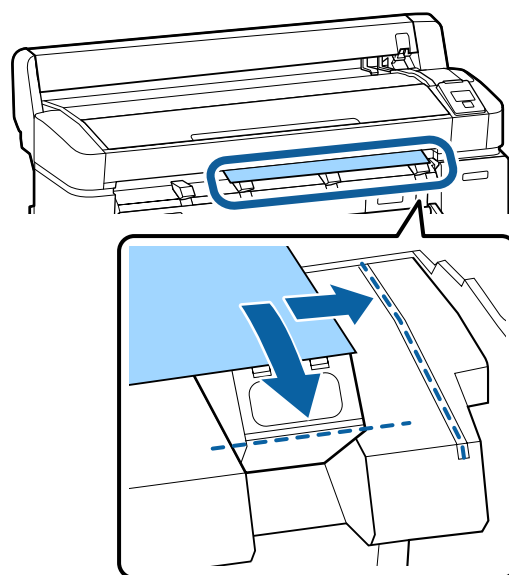


- 7 Insert the board, checking to be sure that it passes under the rollers.



- 8 Close the printer cover.  
9 Position the trailing and right edges of the board as shown by the loading indicators.

Center the right edge over the groove to the right of the paper eject guide and align the trailing edge with the ends of poster board supports, as shown.



## Basic Operations

**10** After positioning the media, press the OK button.

The paper will be fed into the printer.


**11** Check the media type.

The display shows the type of paper currently selected with the printer. To print with the displayed settings, use the ▼/▲ buttons to select **Keep Settings Above**, and press the OK button. To change the settings, select **Change Settings**, and press the OK button. [☞ “Viewing and Changing Media Settings” on page 43](#)

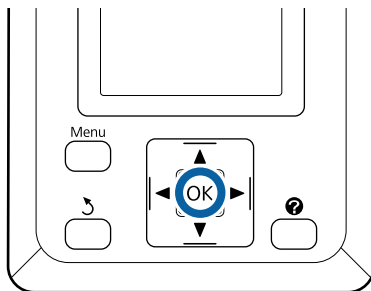
## Removing Poster Board

This section describes how to remove poster board when printing is complete.

**Note:**

To remove paper that was loaded but not used, press the  button and select **Remove Paper**.

Buttons that are used in the following settings



**1** Confirm that **Paper Eject** is displayed in the control panel.

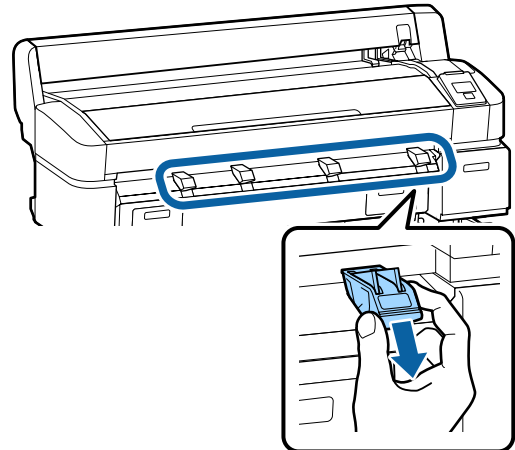
Keeping a hand on the poster board to prevent it falling from the printer, press the OK button.

**2** Pull the poster board forward as shown in the on-screen instructions. After removing the poster board, press the OK button.

**! Important:**

If poster board will not be used in the next print job, lower all the poster board supports. Leaving the supports raised may cause paper to jam.

To lower the supports, grasp them as shown, pull them diagonally downward, and then release.



## Basic Operations

## Viewing and Changing Media Settings

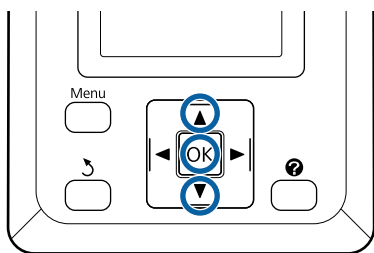
After the paper is loaded, the control panel screen shows the media type currently selected with the printer.

**Note:**

If **On** is selected for **Roll Paper Remaining** and roll paper with a barcode for roll data is loaded, the printer will read the barcode and adjust settings automatically.

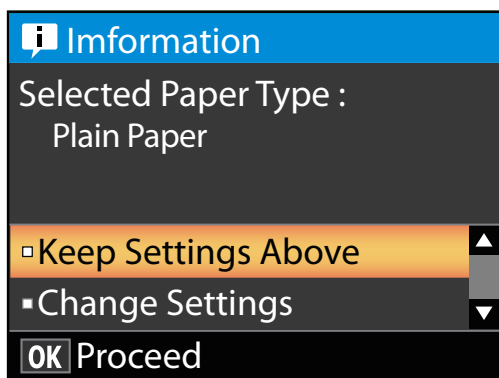
Follow the steps below to change the settings displayed. If you are using the T7270D/T5270D, settings are retained for each loaded roll paper (Roll 1/Roll 2).

Buttons that are used in the following settings



- 1 Use the ▼/▲ buttons to select **Change Settings** and press the OK button.

If you will print with the displayed media type, select **Keep Settings Above**, and press the OK button. Next, proceed to Step 5.



- 2 Select the media type, and then press the OK button.

- 3 Select the media name, and then press the OK button.

- 4 If **On** is selected for **Roll Paper Remaining**, you will be prompted to enter the length of the roll. Press the ▼/▲ buttons to choose a value between 5.0 and 150 m and press the OK button. You can set in 0.5 m increments.

If you press the ► button, you can change **Roll Paper Remaining** to **Off**.

To change the setting back to **On**, use **Roll Paper Remaining** in the Paper menu.

[“Paper menu” on page 134](#)

The printer will display **Ready** after a brief pause, showing that it is ready to print. Send the data to be printed from the computer.

### Roll Paper Remaining


When **On** is selected for **Roll Paper Remaining**, the printer tracks the following roll paper data.

- Time until replacement

The following settings are recorded in a barcode printed on the roll.

The amount of paper remaining, the value selected for remaining alert, and the paper type.

The barcode is automatically printed at the end of the roll when the roll is rewound. The barcode is automatically read and settings adjusted the next time the paper is used, improving efficiency when multiple rolls of paper are used.

- Tracking the amount of paper remaining in the  tab info display area

The info display area shows the amount of paper remaining in the current roll. Once the amount of paper remaining falls below the limit, the amount is replaced by a warning indicator showing that paper is running low.

[“Screen View” on page 15](#)

- Printing Availability

The printer predicts whether the current job can be printed on the amount of paper remaining and

## Basic Operations

displays the results, preventing waste caused the paper running out part way through a print job. This allows you to choose whether to print on the existing roll or replace the paper, preventing waste.

The T7270/T5270/T3270 can predict availability only when the optional hard disk unit or Adobe PostScript 3 Expansion Unit has been installed.

➤ “Saving to and Reprinting on the Optional Hard Disk Unit” on page 67

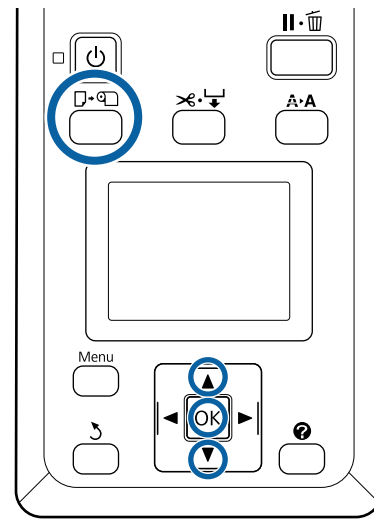
If paper has run out, the T7270D/T5270D can switch to Roll 1 or Roll 2 automatically based on predicted availability and continue printing.


➤ “Switching to Roll 1/Roll 2 by Roll Length” on page 90

## Replacing Paper


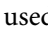
This section describes how to replace paper. The process for removing the current paper differs with the type of paper loaded; follow the instructions displayed in the control panel.

Buttons that are used in the following settings



- 1 Confirm that the printer is ready and press the  button.

The Load/Remove Paper menu will be displayed.

- 2 Press the / buttons to select the type of paper used to replace the current paper, and then press the OK button.

- 3 The printer will eject the current paper.

The process for ejecting the paper varies with the type of paper loaded, as described below.

**If On is selected for Roll Paper Remaining**  
Barcode printing will begin; when printing is complete, the roll will rewind automatically.

**If Off is selected for Roll Paper Remaining**  
The roll rewinds automatically.

**Note:**

When the display shows **Turn roll paper adapter to wind up roll paper**, open the roll paper cover and rewind the paper by hand.

## Basic Operations

### Cut Sheets

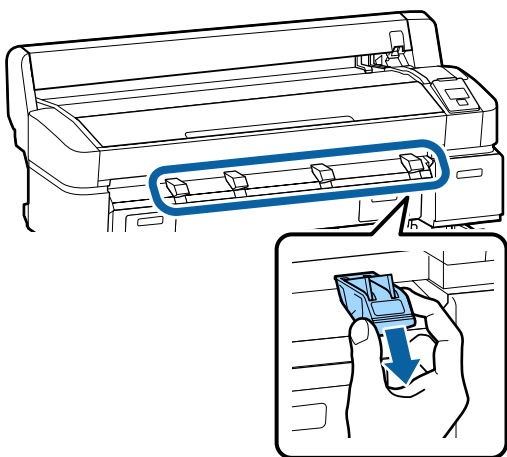
Cut sheets are automatically ejected to the rear, where they can be removed by hand.

### Poster Board

Poster board is partially ejected to the front. Supporting the board with one hand to prevent it falling, press the OK button and pull out the board.

If the next job will not use poster board, lower all the poster board supports. Leaving the supports raised may cause paper to jam.

To lower the supports, grasp them as shown, pull them diagonally downward, and then release.



- 4 Follow the on-screen instructions to load the paper for the next job.

## Using the Paper Basket (T7270/T5270/T3270)

The paper basket collects paper from the printer, preventing it from falling to the floor and becoming creased or dirty.

If one sheet is to be collected, paper up to the following sizes can be collected regardless of the paper type.

### Maximum size when one sheet is collected

	Paper Width	Paper Length
T7270	About 44 inches (1118 mm)	Approx. 46.8 inches (1189 mm)
T5270	About 36 inches (914 mm)	
T3270	About 24 inches (610 mm)	

When collecting one sheet, use the paper basket in the standard position.

Adjusting the Position  [“Adjusting the Position” on page 47](#)

#### Note:

*Close the paper basket before printing banners or other documents that exceed the maximum length. Before the paper ejected from the printer touches the floor, we suggest that you take it in both hands close to the paper eject guides and continue to lightly support it until printing is complete.*

The basket can hold up to 20 sheets of the same size when you print in line drawing mode to plain paper rolls of the following sizes.

When the paper basket will collect paper continually, change the position of the paper basket in accordance with the paper size to be stored.

Adjusting the Position  [“Adjusting the Position” on page 47](#)

## Basic Operations

### Paper size and position during continual collection

Paper Size	Position
A1 Portrait 23.4 × 33.1 in. (594 × 841 mm)	Standard position (lower stack guide)
US D Portrait 22 × 34 in. (558.8 × 863.6 mm)	
A0 Portrait 33.1 × 46.8 in. (841 × 1189 mm)*	Standard position (raise stack guide)
US E Portrait 34 × 44 in. (863.6 × 1117.6 mm)*	
A2 Portrait 16.5 × 23.4 in. (420 × 594 mm)	Horizontal position
ARCH C Portrait 18 × 24 in. (457.2 × 609.6 mm)	
A1 Landscape 33.1 × 23.4 in. (841 × 594 mm)*	
ARCH D Portrait 36 × 24 in. (914.4 × 609.6 mm)*	
US D Portrait (34 × 34 in)(34 × 22 in)*	

\* Not supported by the T3270.



**Important:**

If you print to plain paper sizes other than the sizes above, collecting consecutive sheets in the paper basket may result in stains, folds, or other damage to the printed sheets. When you print continuously, remove the sheet in the printer before the next sheet is collected.

## Storing and Opening

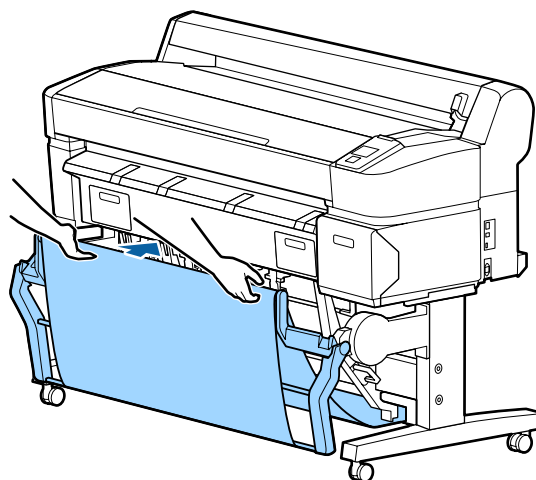
### Storing

Close the paper basket before loading paper or moving the printer.

**Press the paper basket to the opposite side.**

A paper basket in the horizontal position cannot be stored. Set the basket to the standard position before storing it.

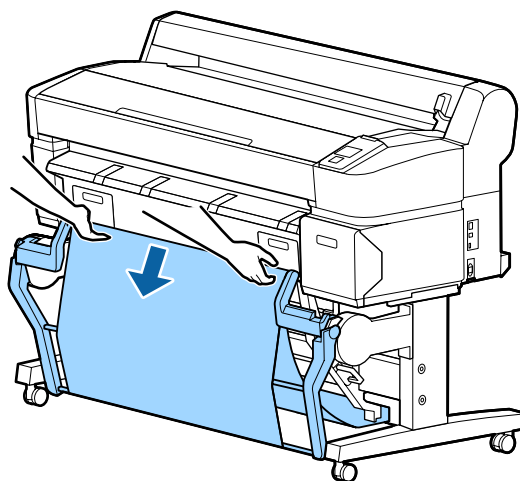
 [“Adjusting the Position” on page 47](#)



### Opening

If the paper basket is closed, it can be opened for use as described below.

**Lightly pull the paper basket down.**



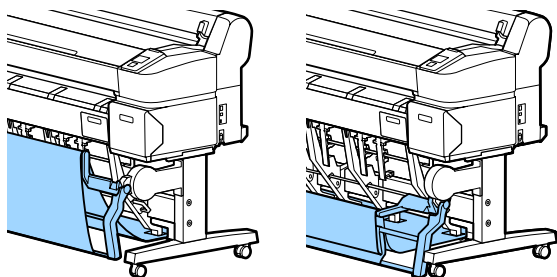
## Basic Operations



**Important:**

The paper basket will not function correctly when opened to the position shown below at right.

Stop when the paper basket is in the position shown below at left.



### Adjusting the Position

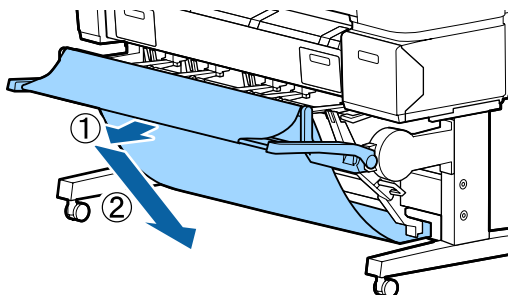
Adjust the position to match the size of the paper to be collected.

**Note:**

The paper basket may with some documents or in some environments fail to hold the paper correctly, resulting in the paper wrinkling or folding.

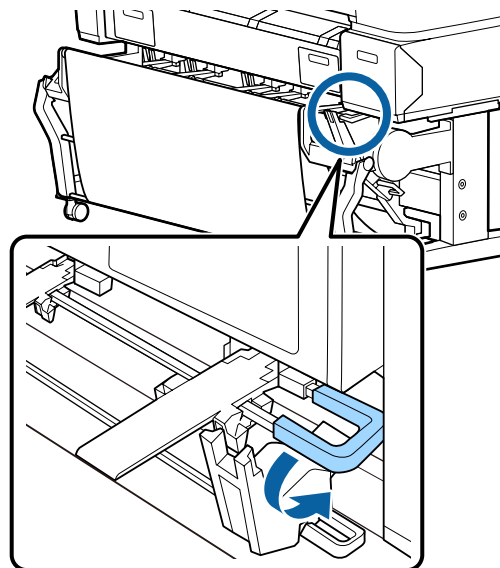
### Standard position

- 1 Pull the basket toward you slightly, and lower it.



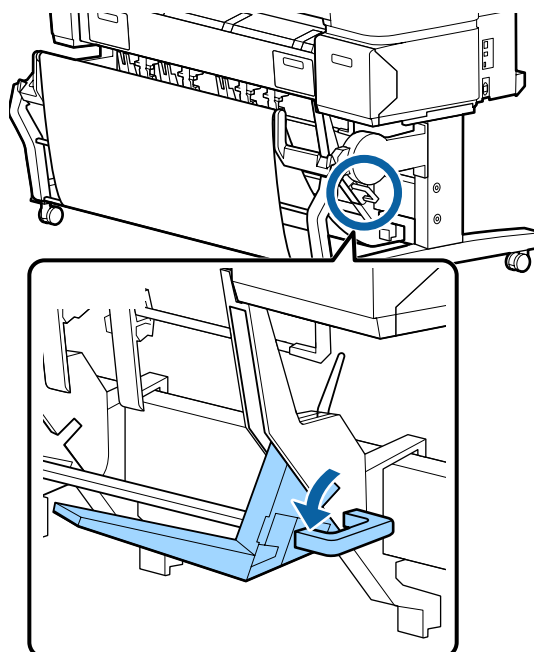
- 2

Use the top stack guide switching lever to lower the top stack guide.



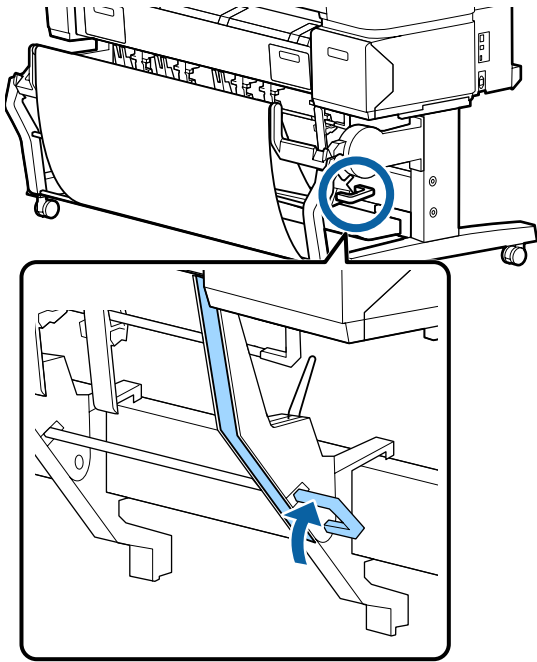
As shown in the following illustrations, adjust the lower stack guide to match the size of the paper to be collected.

### Guide positioned for continual collection of A1 Portrait/US D Portrait (22 × 34 in) size paper



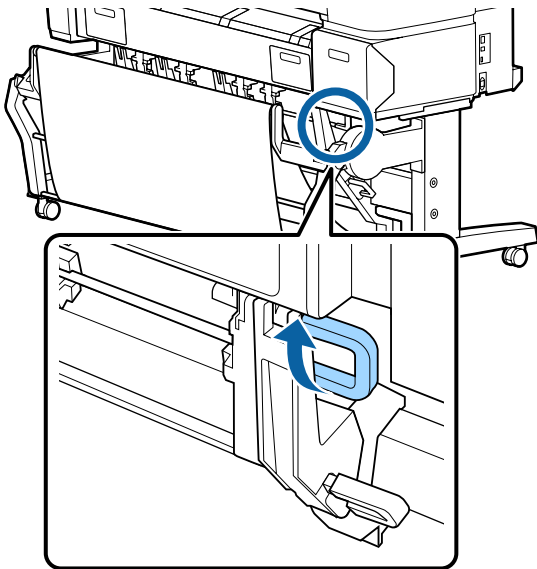
## Basic Operations

### Guide positioned for other sizes of paper

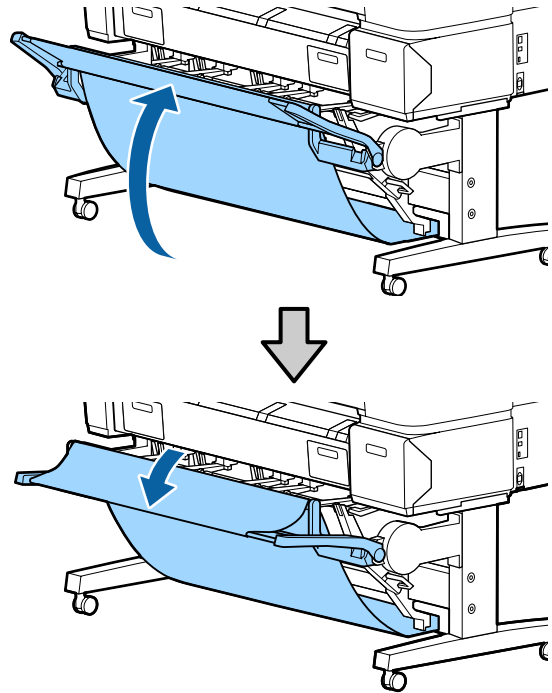


### Horizontal position

- 1 Use the top stack guide switch lever to raise the top stack guide.



- 2 Lift the guide up, and then lower it lightly.



**Note:**

*If the standard position is erroneously set instead of the horizontal position, lift the guide up, and then lower it while pushing lightly.*



## Using the Large-Capacity Paper Basket (T7270D/T5270D)

The large-capacity paper basket collects paper from the printer, preventing it from falling to the floor and becoming creased or dirty.

If a single sheet is to be collected, any size or type of paper can be collected after printing.

The following chart shows the maximum paper lengths that can be collected.

### Maximum paper length when a single sheet is collected

Large-capacity position	Approx. 62.2 inches (1580 mm)
Compact position	Approx. 46.8 inches (1,189 mm)

#### Note:

Close the paper basket before printing banners or other documents that exceed the maximum length. Before the paper ejected from the printer touches the floor, we suggest that you take it in both hands close to the paper eject guides and continue to lightly support it until printing is complete.

When you print in line drawing mode on a plain paper roll, this basket can collect various sizes of sheets up to A1 Landscape.

When collecting multiple sheets, use the paper basket in the large-capacity position.

 [“Adjusting the Position” on page 50](#)

- \* Up to 20 sheets under normal temperatures. Note that the number of sheets that can be collected is reduced by work environment, images to be printed, and other factors. If too many sheets are collected, a paper jam may occur.



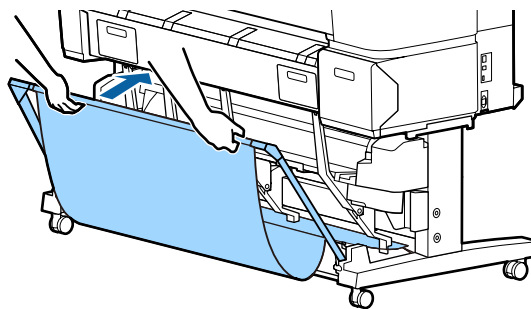
#### Important:

If you collect consecutive sheets of A1 Portrait plain paper or larger, stains, folds, or other damage to the printed sheets may occur.

## Storing and Adjusting the Position

### Storing

Close the large-capacity paper basket before loading paper or moving the printer.

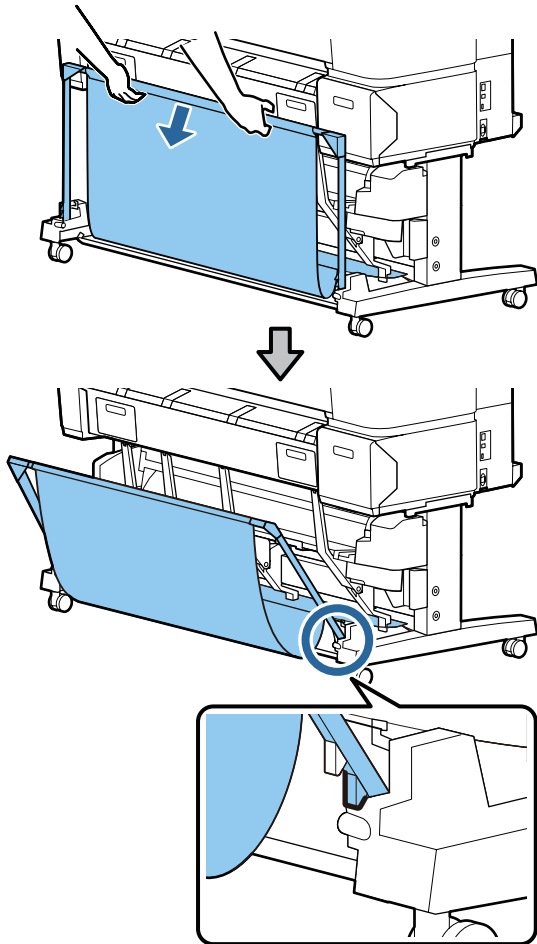


## Basic Operations

### Adjusting the Position

#### Compact position

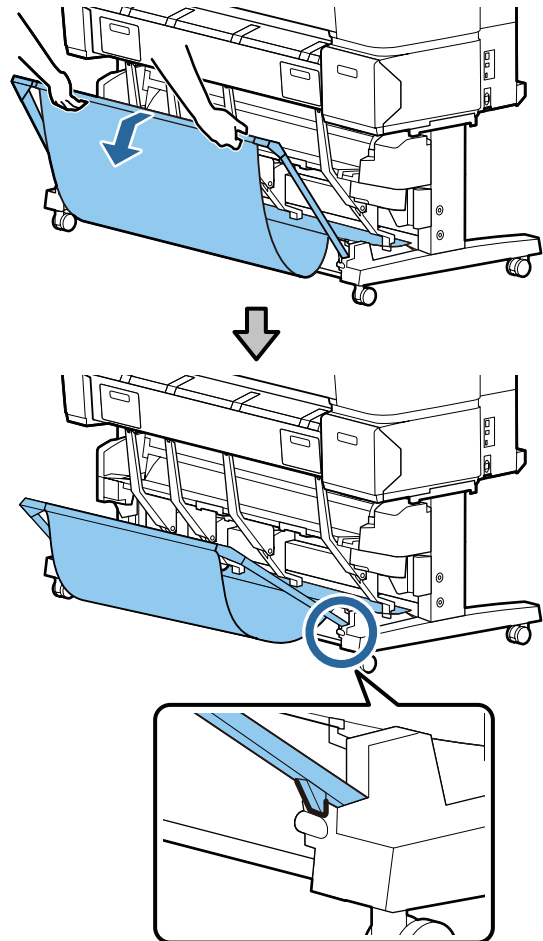
Drop down the basket to the position in which it is fixed by the lower protrusions of the left and right frames.



#### Large-capacity position

Pull the basket toward you slightly, and then lower it.

Lower the basket to the position in which it is fixed by the upper protrusions of the left and right frames.

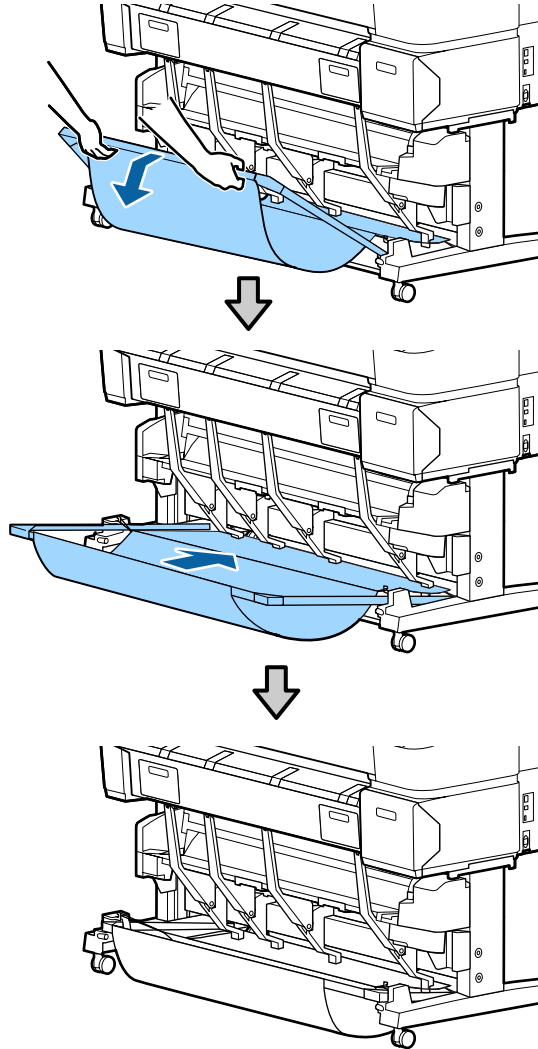


## Basic Operations

### Horizontal position

Pull the basket toward you slightly, and then lower it.

Next, push it in straight.



To change the basket from the horizontal position to another position, reverse the procedure above.

## Using the Auto Take-up Reel Unit (T7270 Only)

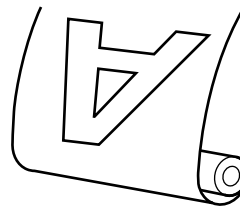
The optional auto take-up reel unit automatically takes up paper as it is printed. It improves efficiency for banners or large jobs involving continuous printing on roll paper.

The auto take-up reel unit for this printer can take up paper in either of the directions shown below. Some types of paper may not support one or the other of these directions or may place restrictions on the take-up direction.

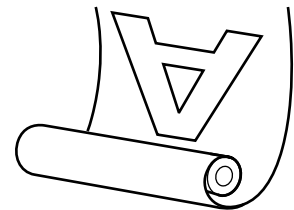
See the following section for information on take-up support and take-up direction.

 [“Epson Special Media Table” on page 187](#)

Printed side out



Printed side in



Taking-up with printed side out places the printed surface on the outside of the roll.

Taking-up with printed side in places the printed surface on the inside of the roll.



### Caution:

- ❑ Fix the roll core for the auto take-up reel unit in place as described in the documentation.

*Dropping the roll core could cause injury.*

- ❑ Be careful that your hands, hair, or other objects do not get caught in the moving parts of the auto take-up reel unit.

*Failure to observe this precaution could result in injury.*

## Basic Operations



### Important:

Confirm that the end of the roll is cut straight across. The unit will not function as expected if the end of the roll is wavy or curved.

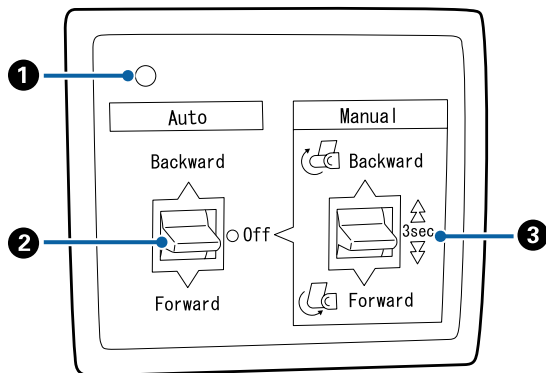
[“Manual cut method” on page 33](#)

### Note:

For information on installing the auto take-up reel unit, see the documentation supplied with the auto take-up reel unit attachment.

## Using the Control Panel

This section describes how to use the control panel for the auto take-up reel unit.



### 1 Power lamp

Displays the status of the auto take-up reel unit.

- On : The auto take-up reel unit is ready for use.
- Flickering : The auto take-up reel unit is in use.
- Blinking : The auto take-up reel unit is in power-saving mode.
- Intermittent blinking : An error has occurred.
- Off : The power is off.

### 2 Auto switch

Selects the auto take-up direction.

- Backward : The roll is taken up with the printable side in.

### 2 Auto switch

- Forward : The roll is taken up with the printable side out.
- Off : The auto take-up reel unit does not take up paper.

### 3 Manual switch

Selects the manual take-up direction.

The setting selected with the Manual switch takes effect when the Auto switch is in the Off position.

- Backward : The roll is taken up with the printable side in.  
The speed will increase after the button is pressed for more than three seconds.
- Forward : The roll is taken up with the printable side out.  
The speed will increase after the button is pressed for more than three seconds.

## Attaching the Paper

This section describes how to attach roll paper to the auto take-up reel unit roll core.

The procedure varies with the take-up direction.



### Important:

Before proceeding, select **Off** for **Auto Cut**. Using the auto take-up reel unit when **On** is selected will cause errors.

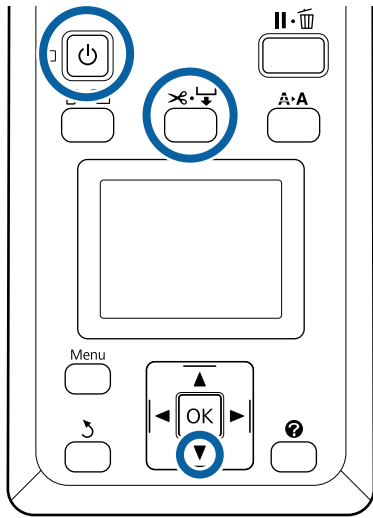
[“Cutting the roll paper” on page 32](#)

## Taking Up the Paper Printable Side Out

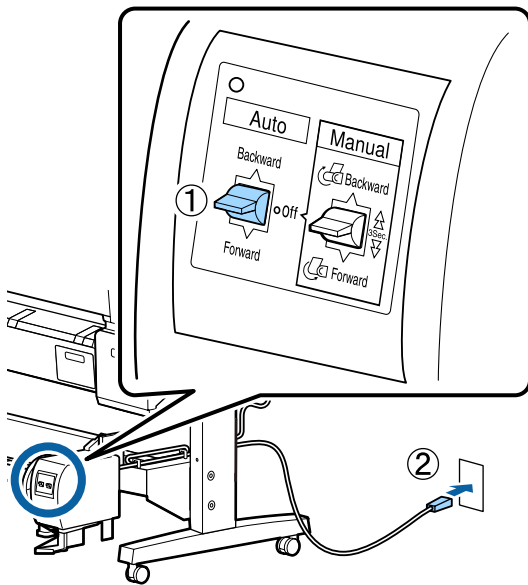
For information on installing the roll core, see the *Setup Guide* for the optional auto take-up reel unit.

## Basic Operations

Buttons that are used in the following settings

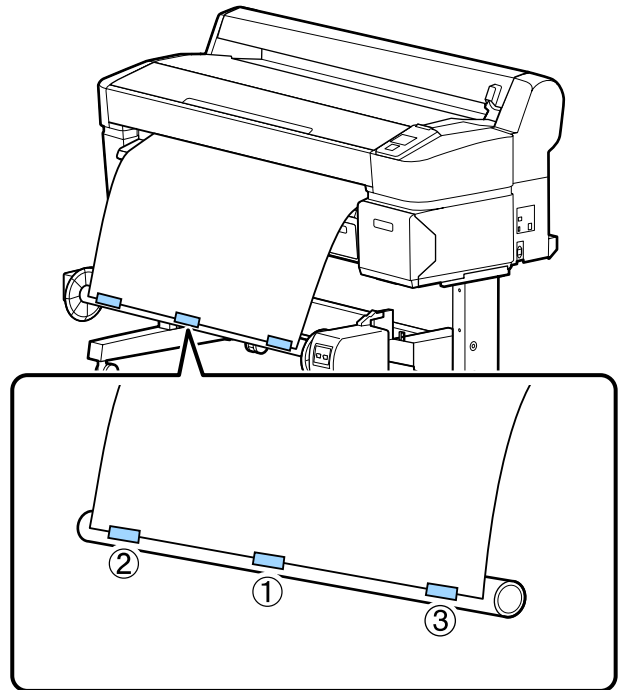


- 1 Set the auto take-up reel unit Auto switch to Off. Plug the power cord into an outlet and confirm that the power lamp lights.

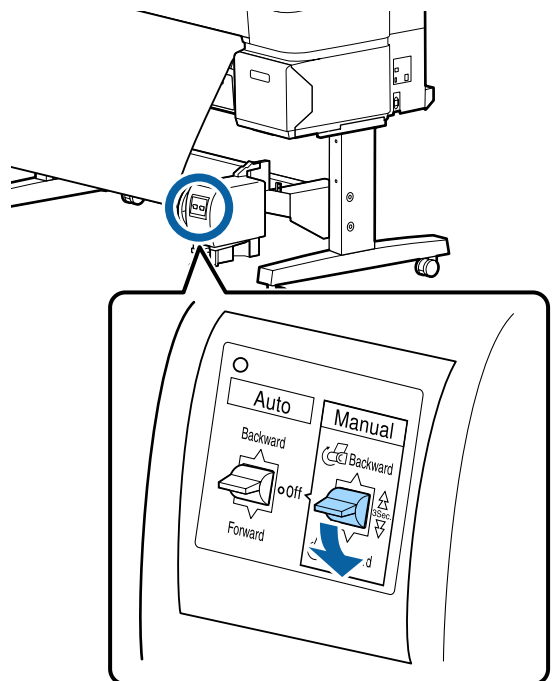


- 2 Turn on the printer by pressing the button.
- 3 Check that the roll paper is correctly loaded in the printer.
- 4 Press the button on the control panel. Keep the button pressed until the end of the roll reaches the roll core.
- 5 Tape the end to the roll core.

Place tape (available from third-party suppliers) at the center and then at the left and right ends.



- 6 Keep the button in the control panel pressed until you have fed enough paper for about three wraps around the roll core.
- 7 Keep the Manual switch pressed to Forward to wrap the paper three times around the core.



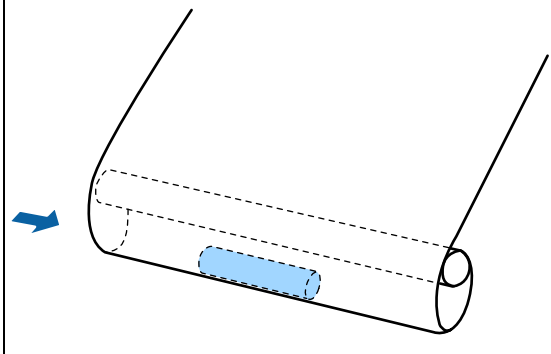
## Basic Operations

After wrapping the paper around the core, ensure that paper around the core is sufficiently loose.

**Note:**

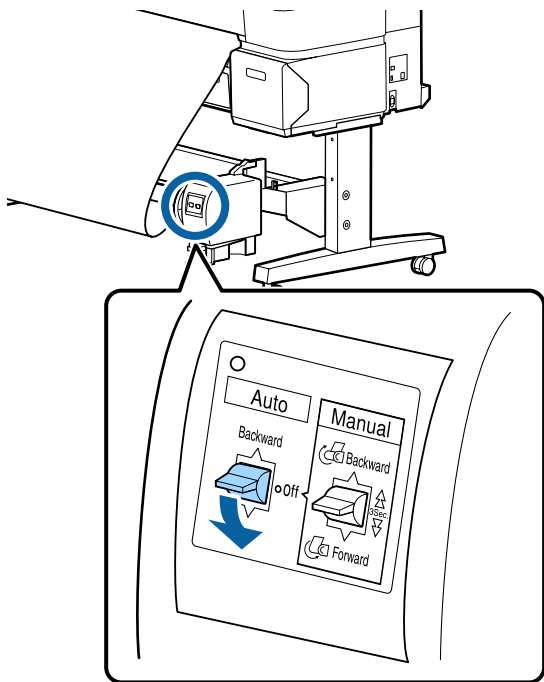
The tensioner supplied with the auto take-up reel unit is used with some types of paper. Slacken the paper and insert the tensioner near the center of the paper as shown. See the following section for information on paper that requires the tensioner.

🔗 [“Epson Special Media Table” on page 187](#)



8

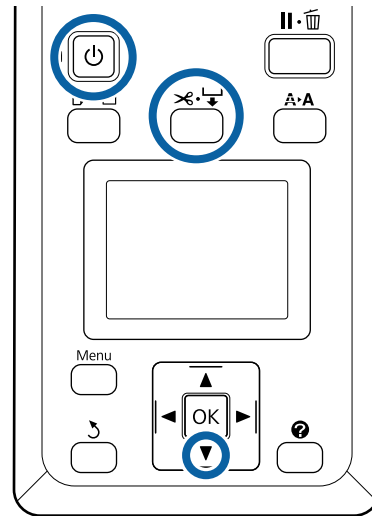
Set the Auto switch to Forward.



### Taking Up the Paper Printable Side In

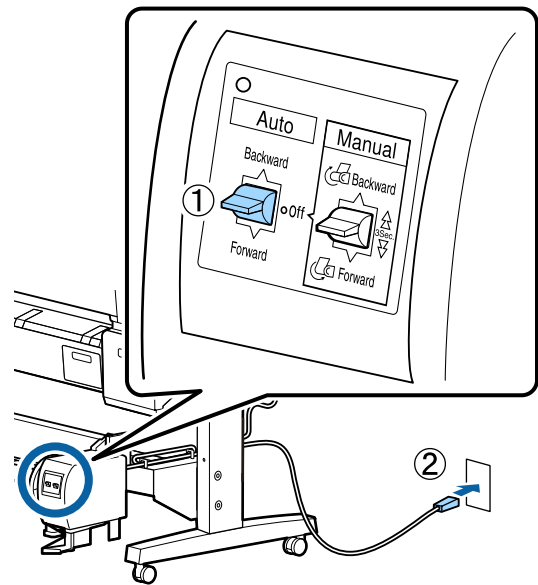
For information on installing the roll core, see the *Setup Guide* for the optional auto take-up reel unit.

Buttons that are used in the following settings



1

Set the auto take-up reel unit Auto switch to Off. Plug the power cord into an outlet and confirm that the power lamp lights.



2

Turn on the printer by pressing the  $\text{\textcircled{P}}$  button.

3

Check that the roll paper is correctly loaded in the printer.

4

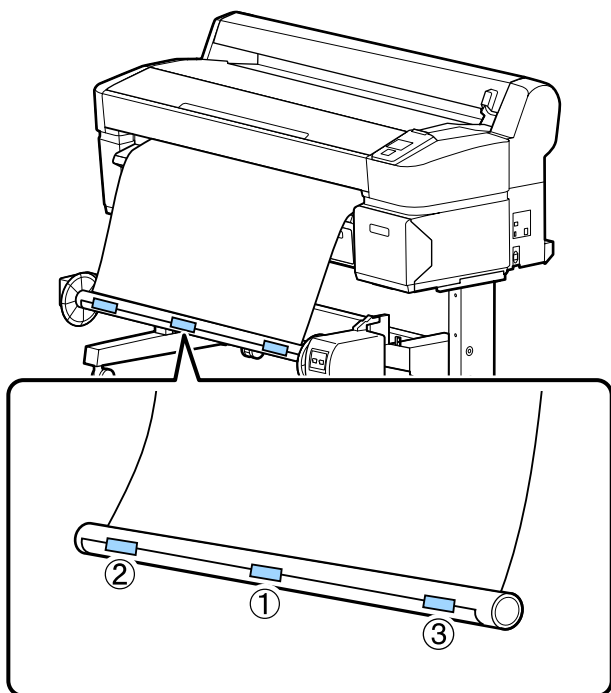
Press the  $\text{\textcircled{A}} \cdot \text{\textcircled{B}}$  button on the control panel. Keep the  $\text{\textcircled{V}}$  button pressed until the end of the roll reaches the roll core.

5

Tape the end to the roll core.

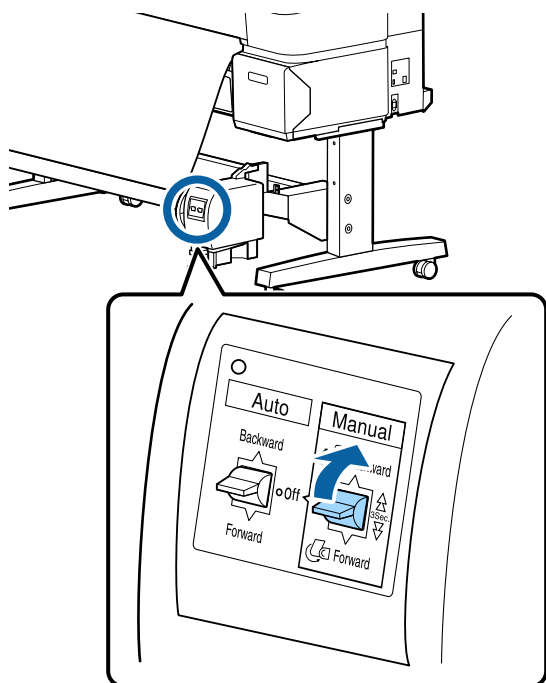
## Basic Operations

Place tape (available from third-party suppliers) at the center and then at the left and right ends.



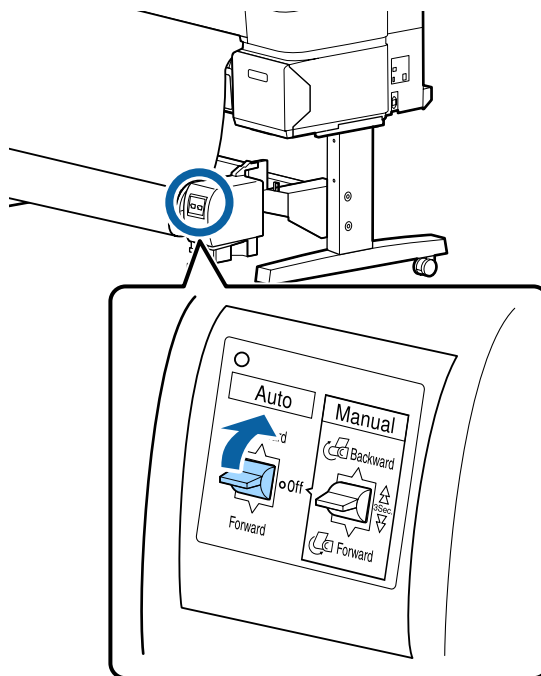
6 Keep the ▼ button in the control panel pressed until you have fed enough paper for about three wraps around the roll core.

7 Keep the Manual switch pressed to Backward to wrap the paper three times around the core.



After wrapping the paper around the core, ensure that paper around the core is sufficiently loose.

8 Set the Auto switch to Backward.



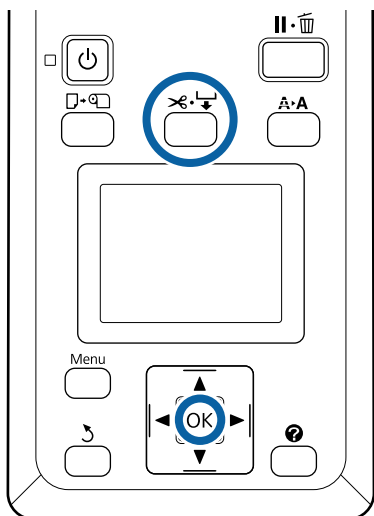
## Removing Paper from the Auto Take-up Reel Unit

This section describes how to remove paper from the auto take-up reel unit.

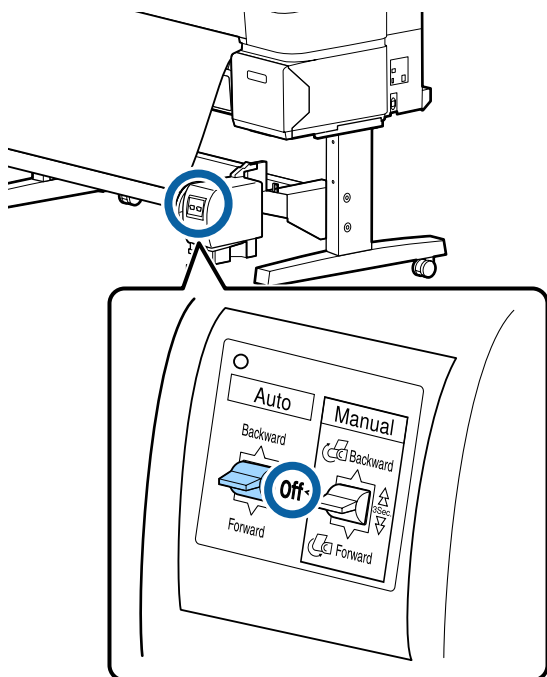
**Caution:** Removing paper from the auto take-up reel unit requires two workers, one on each end of the roll. A single worker working alone could drop the roll, resulting in injury.

## Basic Operations

Buttons that are used in the following settings



- 1 Set the Auto switch to Off.



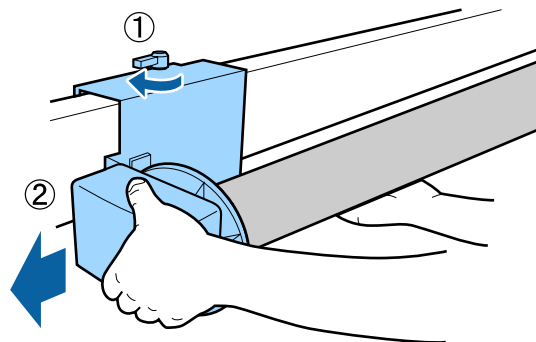
- 2 Cut the paper and take it up until it is all on the auto take-up reel unit roll core.

 [“Manual cut method” on page 33](#)

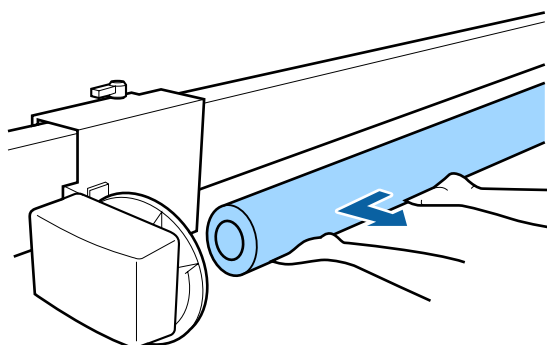
After cutting the paper, support the end to prevent the printed surface touching the floor; continue to support the paper until it is all taken up. Keep the Manual switch pressed in the take-up direction (either Forward or Backward).

- 3 Unlock the movable unit and remove it from the roll core.

When removing the movable unit, support the roll core with one hand to prevent it falling to the floor.



- 4 Remove the roll core from the auto take-up reel unit.


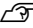



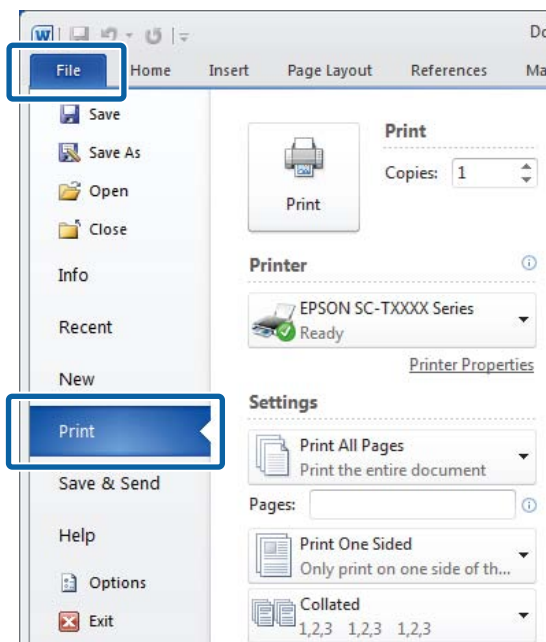


## Basic Operations

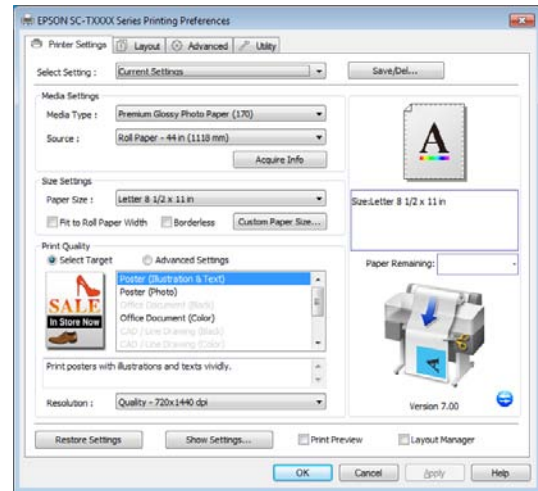
## Basic Printing Methods (Windows)

Printing is performed from the application used to create the document you wish to print. The basic procedure is described below.

- 1 Turn on the printer, and load the paper.
  -  “Attaching the Roll Paper Adapter” on page 27
  -  “Loading Cut Sheets” on page 37
  -  “Loading Poster Board” on page 39
- 2 When you have created the data, click **Print** in the **File** menu.



- 3 After confirming that the printer is selected, click **Printer properties** or **Properties** to display the Printer Settings tab.



- 4 Check the options selected for **Media Settings**.

### When using T7270/T5270/T3270

On startup, the printer driver automatically downloads information on the media in the printer and displays it in the **Media Settings** area.

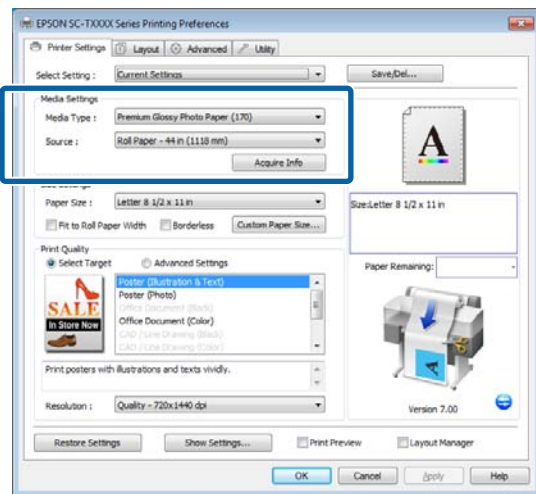
To print at current settings, proceed to the next step.

### When using T7270D/T5270D

If **Roll Auto - \*\*mm** has been selected when the printer driver starts, the printer applies the media type and width of the roll paper currently in use on the printer. When the printer starts printing, it switches to the roll paper to be printed in accordance with the **Roll Switch Condition** setting in the Setup menu of the printer.

## Basic Operations

[“Switching Roll Paper Automatically before Printing \(T7270D/T5270D Only\)” on page 87](#)



If the desired settings are not displayed, replace the media in the printer with the desired paper type and click the **Acquire Info** button. The driver will reacquire data from the printer and update the information displayed in the **Media Settings** area.

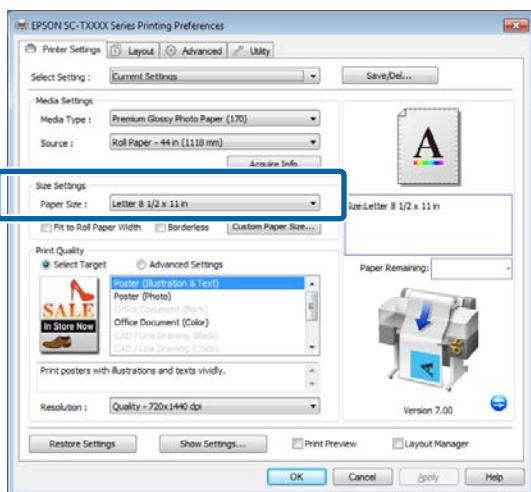
**Note:**

*If the **Acquire Info** button is clicked, information about the paper loaded on the printer is displayed.*

5

In the **Size Settings** area, choose the desired **Paper Size**.

Choose the **Paper Size** selected when the document was created in the application.



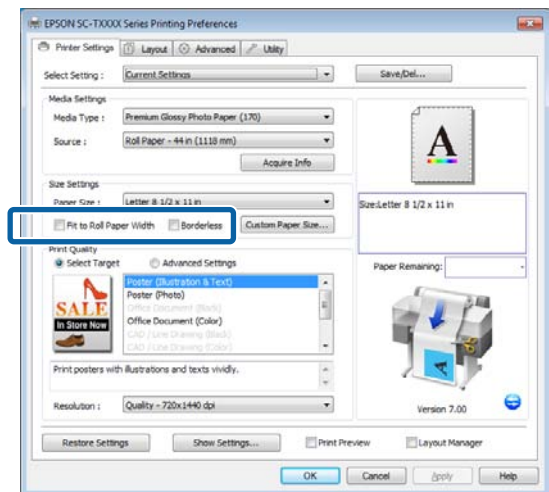
6

Select "fit to" and borderless printing options.

To resize the document to fit it to the width of the roll when using roll paper, simply select **Fit to Roll Paper Width**.

To print without borders (margins), select **Borderless**.

For borderless printing on paper larger than the original document size, select both the "fit to" and borderless options.



Advanced fit and borderless settings are available in the Layout tab.

[“Enlargements and Horizontal and Vertical Banners” on page 80](#)

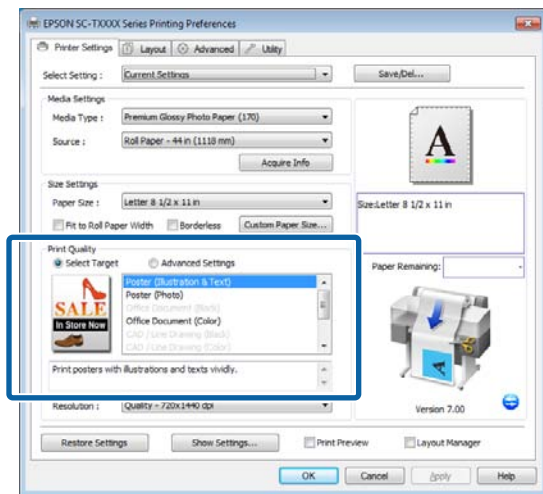
[“Borderless Printing” on page 92](#)

7

In the **Print Quality** area, choose an option for **Select Target**.

## Basic Operations

Choose an option according to the type of document and how it will be used.



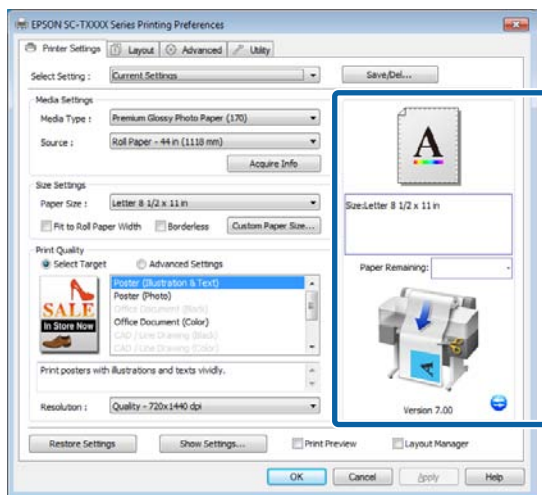
To choose a color correction method or adjust colors, select **Advanced Settings**.

 [“Correct color and print” on page 97](#)

8

Check settings.

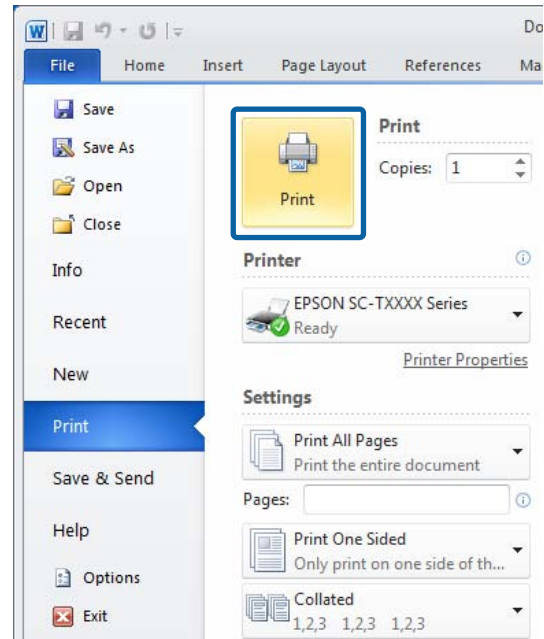
The selected settings are reflected in the area on the right; check that settings are correct.



9

Click the **OK** button.

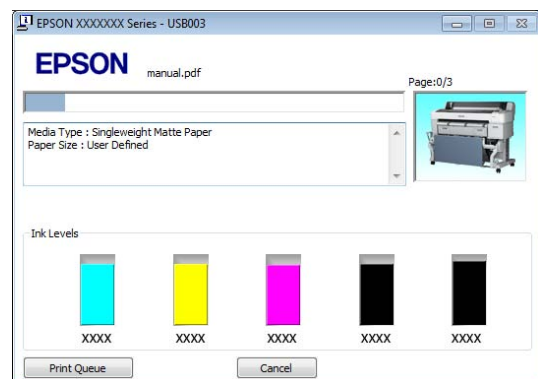
10 When settings are complete, click **Print**.



The progress bar is displayed, and printing starts.

### Screen while printing

The following screen is displayed when you start printing, and the progress bar (the computer's processing status) is displayed. On this screen you can check the remaining ink level, product numbers for the ink cartridges, and so on.



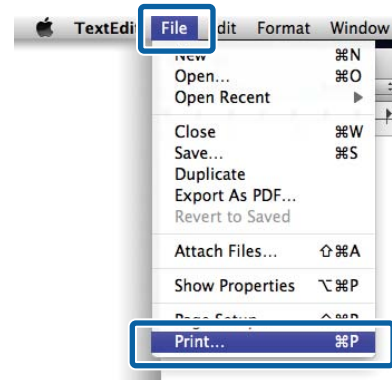
## Basic Operations

An error message is displayed if an error occurs or an ink cartridge needs replacing while printing.



## Basic Printing Methods (Mac OS X)

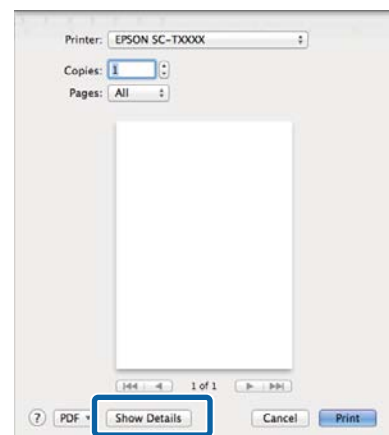
- 1 Turn on the printer, and load the paper.
  - “Attaching the Roll Paper Adapter” on page 27
  - “Loading Cut Sheets” on page 37
  - “Loading Poster Board” on page 39
- 2 When you have created the data, from the **File** menu of the application, click **Print** and so on.



- 3 The print screen is displayed.

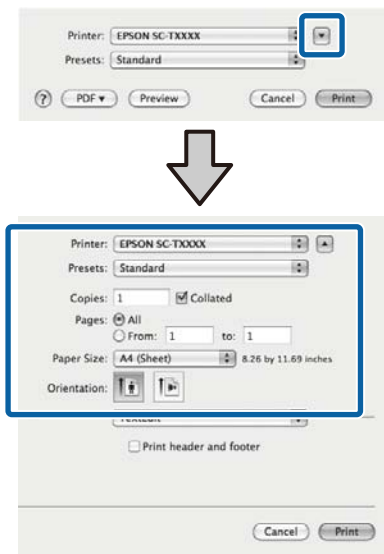
### Mac OS X Lion or later

Click **Show Details** at the bottom of the dialog box.



## Basic Operations

For Mac OS X 10.6 and 10.5, click the arrow (▼) to make settings on the Page Setup screen.



**Note:**

If page settings are not displayed in the print dialog, click the "page settings" option (e.g., **Page Setup**) in the **File** menu.



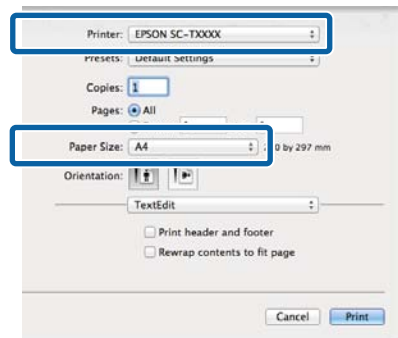
4 Check that this printer is selected, and then set the paper size.

Select one of the following options for **Paper Size**. XXXX is the actual paper size, such as A4.

XXXX: Print with margins on roll paper. Print using the **Roll Paper Margin** selected on the printer.

☞ "Print Queues menu" on page 132

XXXX (cut sheet): Print with margins on cut sheets. Print with top, right, and left margins of 3 mm and a bottom margin of 14 mm.



When performing borderless or banner printing; see ☞ "Borderless Printing" on page 92, ☞ "Enlargements and Horizontal and Vertical Banners" on page 80

5 To view basic print settings, select **Printer Settings** from the list.

**Mac OS X 10.6 or later (when using T7270/T5270/T3270)**

On startup, the printer driver automatically downloads information on the media in the printer and displays it in the **Page Setup** and **Media Type** areas. To print at current settings, proceed to the next step.

**Mac OS X 10.6 or later (when using T7270D/T5270D)**

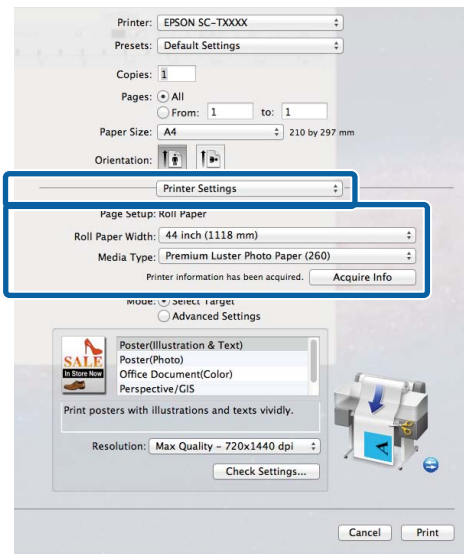
If **Auto** has been selected for **Roll Switch** when the printer driver starts, the printer applies the media type and width of the roll paper currently in use on the printer. When the printer starts printing, it switches to the roll paper to be printed in accordance with the **Roll Switch Condition** setting in the Setup menu of the printer.

☞ "Switching Roll Paper Automatically before Printing (T7270D/T5270D Only)" on page 87

## Basic Operations

### Mac OS X 10.5

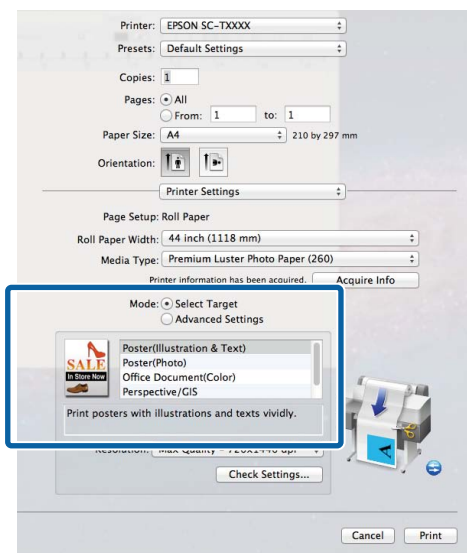
Choose **Page Setup** and **Media Type** according to the type of paper loaded in the printer.




If the desired settings are not displayed, replace the media in the printer with the desired paper type and click the **Acquire Info** button. The driver will reacquire data from the printer and update the information displayed.

6 Choose how the printed document will be used.

Choose an option according to the type of document and how it will be used.



To choose a color correction method or adjust colors, select **Advanced Settings** for **Mode**.

 [“Correct color and print” on page 97](#)

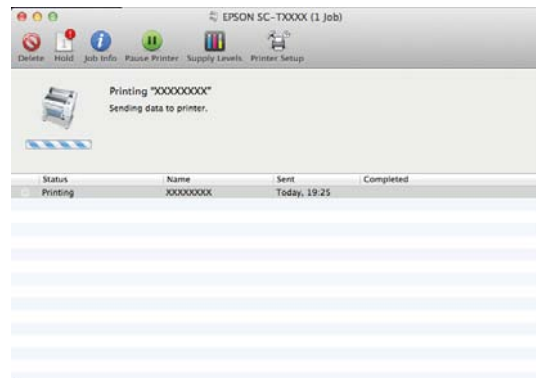
7 Check settings.

The selected settings are reflected in the area on the right; check that settings are correct.

8 When settings are complete, click **Print**.

The printer icon is displayed in the Dock while printing. Click the printer icon to display the status. You can check the progress of the current print job and the printer status information. You can also cancel a print job.

Also, if an error occurs while printing, a notification message is displayed.



## Basic Operations

### Printable area

This section describes the printable areas for the printer.

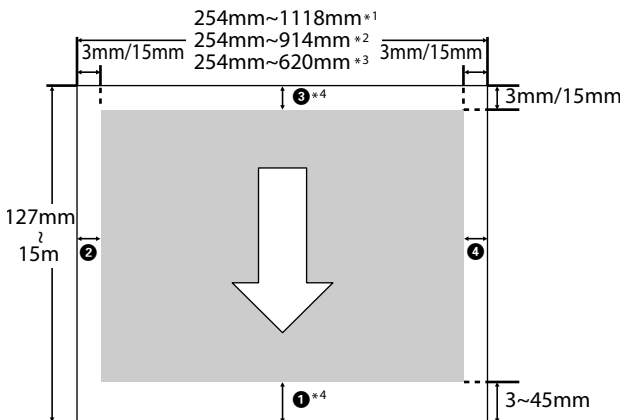
If the margin set in an application is larger than the following setting values, sections beyond the specified margins are not printed. For example, if 15 mm is selected for the left and right margins in the printer menus and the document fills the page, the 15 mm at the left and right sides of the page will not be printed.

### Roll Paper Printable Area

The gray area in the illustration below shows the printable area.

When printing borderless on the left and right, the left and right margins are 0 mm. When printing borderless on all edges, all margins are 0 mm.

The arrow in the illustration indicates the direction of the ejected paper.



\*1 T7270/T7270D

\*2 T5270/T5270D

\*3 T3270

\*4 If **Banner** is selected for **Roll Paper Option** in the printer driver **Advanced** tab, the top and bottom margins are 0 mm.

Margins for roll paper depend on the option selected for **Roll Paper Margin** in the menus, as shown in the table below.

**Roll Paper Margin Settings** “Setup menu” on page 139

indicates factory default settings.

Roll Paper Margin Parameter	Margin Values
Normal	A,C=15 mm*
	B,D=3 mm
Top15mm/Bottom15mm	A,C=15 mm
	B,D=3 mm
Top35mm/Bottom15mm	A=35 mm
	C=15 mm
	B,D=3 mm
Top45mm/Bottom15mm	A=45 mm
	C=15 mm
	B,D=3 mm
3 mm	A,B,C,D=3 mm
15 mm	A,B,C,D=15 mm

\* When **Normal** is selected, the value for A is 20 mm for the following paper.

Premium Photo Paper Glossy (250)/Premium Photo Paper Semigloss (250)/Ultra Premium Photo Paper Luster (260)/Premium Semimatte Photo Paper (260)

When the following media are used in **CAD / Line Drawing** mode, the value for AC is 3 mm.

Singleweight Matte Paper



**Important:**

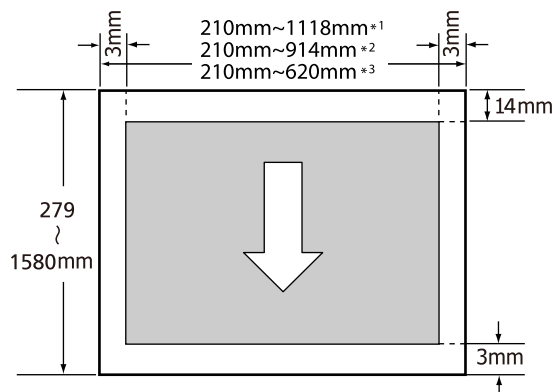
- Printing is distorted when the trailing edge of the roll paper comes off the core. Make sure the trailing edge does not come inside the printing area.
- The print size does not change even when the margins are changed.

### Cut Sheets Printable Area

When printing borderless on the left and right, the left and right margins are 0 mm. (Borderless printing is not available with poster board.)

## Basic Operations

The arrow in the illustration indicates the direction of the ejected paper.



\*1 T7270/T7270D

\*2 T5270/T5270D

\*3 T3270

## Using the Power Off Timer

The printer offers the following two power management options.

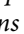
### Sleep mode

The printer enters sleep mode when there are no errors, no print jobs being received, and no control panel or other operations performed. When the printer enters sleep mode, the control panel's screen turns off and the internal motors and other parts switch off to consume less power.

Sleep mode is cleared if a print job is received or a button on the control panel is pressed.

The delay before the printer enters sleep mode can be selected from values between 5 and 210 minutes. At default settings, the printer enters sleep mode if no operations are performed for 15 minutes. The delay can be changed from the Setup menu. [☞ "Setup menu" on page 139](#)

**Note:**

*When the printer enters sleep mode, the control panel's screen goes blank as if the power has been turned off, but the  light remains lit.*

### Power Off Timer

The printer is equipped with a Power Off Timer option that automatically turns the printer off if no errors occur, no print jobs are received, and no control panel or other operations are performed for a set period of time. The delay before the printer turns off automatically can be selected from values between 1 and 24 hours in increments of 1 hour.

This section shows the default settings.

#### T7270/T5270/T3270

The printer turns off automatically if no errors occur, no print jobs are received, and no operations on the panel or other operations are performed for eight hours or longer.

#### T7270D/T5270D



## Basic Operations

The setting is **Off**.

Power Off Timer settings can be adjusted in the Setup menu. [☞ “Setup menu” on page 139](#)

### About Power Management

You can adjust the time before Power Management is applied. Any increase will affect the printer's energy efficiency. Please consider the environment before making any change.

## Canceling Printing

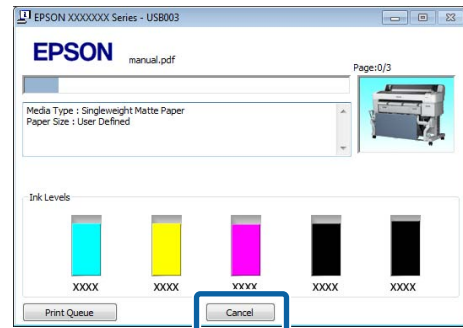
There are a few ways to stop printing operations depending on the situation.

When the computer has finished sending data to the printer, you cannot cancel the print job from the computer. Cancel on the printer.

### Canceling from the computer (Windows)

#### When the Progress Bar is displayed

Click **Cancel**.



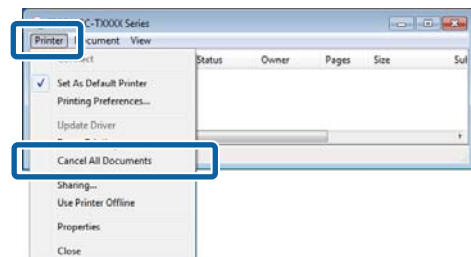
#### When the Progress Bar is not displayed

- 1 Click the printer icon in the task bar while printing is in progress.

Whether or not an icon is displayed depends on the settings selected for Windows.

- 2 Right click the name of the job you want to cancel and select **Cancel** from the document menu.

To cancel all jobs, click **Cancel All Documents** in the **Printer** menu.



If the job has been sent to the printer, print data is not displayed on the above screen.

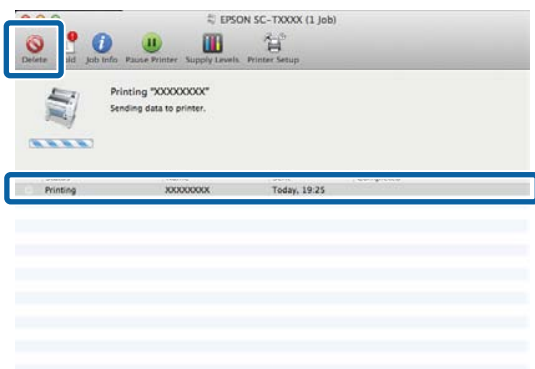
## Basic Operations

### Canceling from the computer (Mac OS X)

- 1 Click the printer icon in the Dock.



- 2 Select the job you want to cancel, and then click **Delete**.



If the job has been sent to the printer, print data is not displayed on the above screen.

### Canceling on the printer

Press the **II** button, select **Job Cancel** on the screen, and then press the OK button.

The print job is canceled even in the middle of printing. It may take a while before the printer returns to ready status after canceling a job.

**Note:**

*You cannot delete print jobs which are in the print queue on the computer using the above operation. See "Canceling from the computer" to delete print jobs in the print queue.*

## Saving to and Reprinting on the Optional Hard Disk Unit

# Saving to and Reprinting on the Optional Hard Disk Unit

## Function Summary

When an optional hard disk unit or Adobe PostScript 3 Expansion Unit (hereinafter referred to as the hard disk) is installed, print jobs can be viewed and managed as described below.



**Important:**

The optional hard disk unit for the T3000/T5000/T7000 cannot be installed to this printer. Always use a hard disk unit intended for this printer.

[☞ "Options and Consumable Products" on page 185](#)

### Extended functions

Print jobs can be viewed and managed as described below.

- **Viewing Print Jobs**

When there are multiple print jobs with some in the queue, the following information can be displayed.

- Estimated print start time
- Estimated print time
- Other information, including whether the job can be printed without replacing consumables

- **Viewing and Resuming Held Print Jobs (T7270/T5270/T3270 only)**

If the source or other settings selected with the printer differ from the settings specified in the print job, an error will occur and printing will be suspended.

When an error occurs, printing cannot be restarted until the printer has been readied by, for example, replacing the paper.

However, the following types of print job can be held temporarily on the hard disk.

Therefore, after printing all the jobs that can be printed with the current paper, you can replace the paper with the media specified in the held print jobs and resume printing, making your work more efficient.

- Print jobs that specify sources that differ from that selected with the printer
- Print jobs that specify paper types that differ from that selected with the printer
- Print jobs that specify output paper sizes (widths) that are larger than that selected with the printer

**Note:**

Held print jobs can be saved if **On** is selected for **Store Held Job** in the control panel Setup menu.

The factory default setting is **Off**.

[☞ "Setup menu" on page 139](#)

- **Viewing and Printing Stored Jobs**

Print jobs can be stored on the hard disk and printed at a later date.

Print jobs selected for printing at a later date can be printed directly on the hard disk without increasing the load on your computer.

Print jobs are saved using the printer driver.

[☞ "Saving Print Jobs" on page 68](#)

**Note:**

- Large copy and enlarged copy print jobs created with an optional Multifunction Scanner or a commercially available scanner connected to the printer cannot be saved to the hard disk.
- Jobs printed with the following applications are always saved to the hard disk.

For information on other applications, see the software documentation or online help.

- LFP Print Plug-In for Office
- EPSON CopyFactory5

## Saving to and Reprinting on the Optional Hard Disk Unit

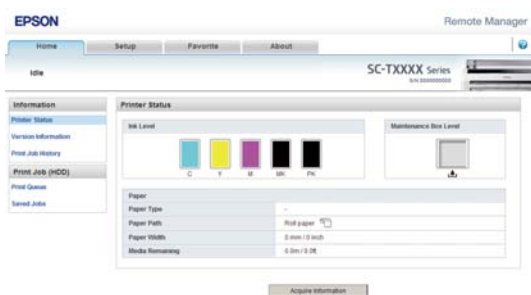
### Print Job Management

- **From the Print Job menu of the Control Panel**

Detailed procedure [“Viewing and Printing Saved Print Jobs” on page 69](#)

- **From Remote Manager**

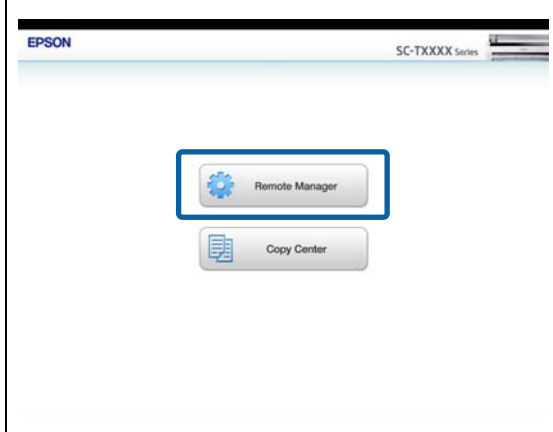
The Remote Manager utility is included in the standard install of the printer network interface and, in addition to managing the print jobs stored on the hard disk, can be used for viewing printer status and adjusting network settings. It is launched by entering the printer's IP address in a computer web browser.



When managing in the Remote Manager, you can cancel jobs waiting to be printed individually and cancel and resume held jobs individually.

**Note:**

If the printer's IP address is entered in a web browser when the optional Multifunction Scanner has been connected, the following screen appears. To start the Remote Manager, click **Remote Manager**.



For more information, see the online help for Remote Manager.

For information on launching Remote Manager, see [the Network Guide \(pdf\)](#)

- **From LFP HDD Utility (Windows only)**

The LFP HDD Utility can be used to manage print jobs stored on a hard disk. It is used when the printer is connected to the computer via USB.

It can be downloaded from the Epson website.

<http://www.epson.com>

### Data on a Hard Disk

Data on a hard disk cannot be copied to a computer or other device. Even when print jobs have been stored on the hard disk, save the original data on a computer.

Data on a hard disk may be lost or corrupted in the following situations.

- When the disk is affected by static electricity or electrical noise
- When the disk has been used incorrectly
- After a malfunction or repair
- When the disk was damaged by a natural disaster

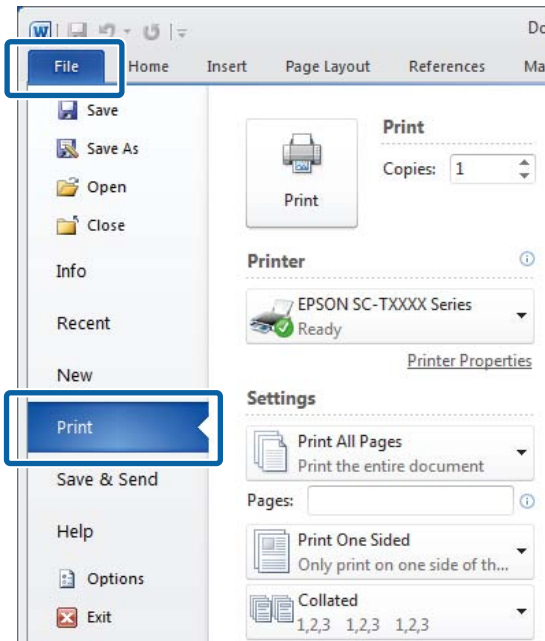
We take no responsibility for any data loss, data corruption, or other problems due to any cause, even including those listed above and within the warranty period. Be aware that we are also not responsible for the recovery of lost or corrupted data.

## Saving Print Jobs

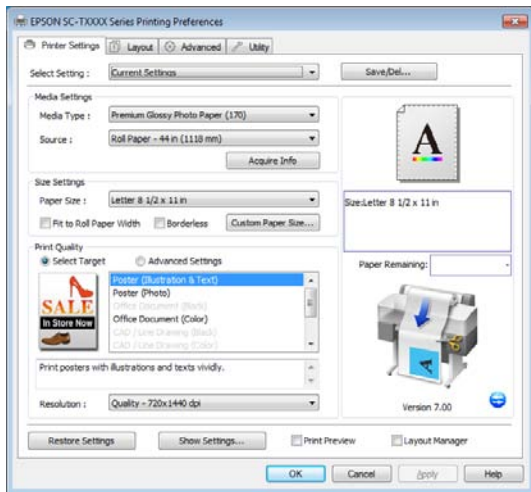
This section describes the print driver settings used to save print jobs.

## Saving to and Reprinting on the Optional Hard Disk Unit

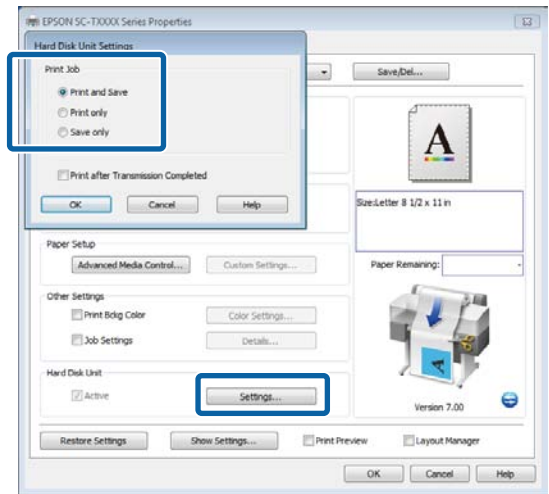
- 1 When you have created the data, click **Print** in the **File** menu.



- 2 After confirming that the printer is selected, click **Printer properties** or **Properties** to display printer settings.



- 3 In the Advanced tab, click the **Settings** button in the Hard Disk Unit area and select **Print and Save** or **Save only**.

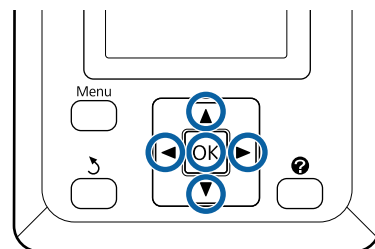


- 4 Next, print the document normally.  
If **Save only** is selected, the print job will be saved to the optional hard disk unit but not printed.

## Viewing and Printing Saved Print Jobs

This section describes how to view and print saved jobs from the control panel.

Buttons that are used in the following settings



- 1 Confirm that the printer is ready to print. Press the ◀/▶ buttons to highlight **Menu** and press the OK button.

The Print Queues menu will be displayed.

- 2 Press the ▼/▲ buttons to highlight **Stored Job** and press the OK button.

## Saving to and Reprinting on the Optional Hard Disk Unit

The print job tab info display area shows the names of stored print jobs.

- 3 Press the ▼/▲ buttons to highlight the desired job and press the OK button.

Information on the selected job will be displayed.

To exit without printing the job, press the II·⏏ button after viewing job data.

To print the job, proceed to Step 4.

- 4 Press the OK button.

You will be prompted to enter the number of copies.

- 5 Press the ▼/▲ buttons to choose the number of copies and press the OK button.

## Copying and Scanning

# Copying and Scanning

## Large Copying and Large Scanning using the Multifunction Scanner (Option)

### Function Summary

#### Main Functions

If you connect the optional Multifunction Scanner, you can use the following functions.

#### Large Copy

If you connect the optional Multifunction Scanner to the T7270/T5270/T7270D/T5270D, you can load documents up to 36 inches and make large copies.

#### Large Scan

To perform a large scan, in addition to connecting the Multifunction Scanner, you need the optional hard disk unit or Adobe PostScript 3 Expansion Unit (hereinafter referred to generally as the hard disk).

Scanned images are saved as JPEG files or PDF files and can be sent and saved as shown below.

- Attached to e-mails, and then sent to another printer.\* (Scan To e-mail)
- Saved to a shared folder on the network. (Scan To Shared Folder)
- Saved to a hard disk installed to a printer connected to the Multifunction Scanner that performed the scan. (Scan To HDD)

\* The destination printer must have a Multifunction Scanner and a hard disk installed. To confirm whether this function is supported, see the manual included with the printer.

### Operation


You can perform large copy/scan operations or manage scanned image files in the following locations.

- On the Large Copy/Large Scan screen of the control panel

See the following procedure for detailed instructions.

- From Copy Center

You can use the Copy Center software to copy and scan on a tablet terminal or computer connected to the printer via the network.

Starting Copy Center  [“Starting Copy Center”](#) on page 72

#### Function compatibility chart

The following chart shows available functions by tool.

	Control panel	Copy Center
Large Copy	✓	✓
Large Scan* <sup>1</sup>	✓	✓
Scan To e-mail	✓	✓
Receive e-mail	✓	✓
Scan To Shared Folder	✓	✓
Scan To HDD	✓	✓
Operations for image files that were scanned or received by e-mail* <sup>2</sup>		
Print* <sup>3</sup>	✓	✓
Send as an e-mail attachment	✓	✓
Send to a folder	✓	✓
Download file	-	✓
Delete	✓	✓
Add or edit e-mail destination addresses	-	✓
Add or edit shared folder addresses	-	✓
Check file operation history	-	✓
Scanner maintenance		

## Copying and Scanning

	Control panel	Copy Center
Calibration	✓	-
Feed Adjust	✓	-

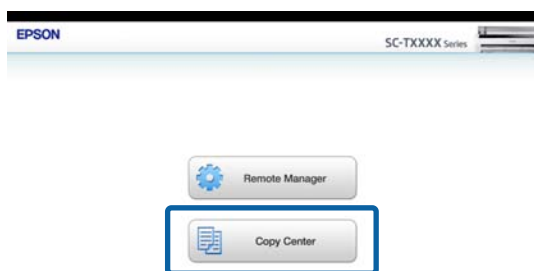
- \*1 Available only when the optional hard disk unit or Adobe PostScript 3 Expansion Unit has been installed.
- \*2 In the case of Scan To e-mail and Scan To Shared Folder as well, all scanned image files are saved to the hard disk of the printer.
- \*3 Printing is limited to JPEG files saved at a directly printable resolution.

### Starting Copy Center

Copy Center is included on the network interface of the printer, and it functions when the Multifunction Scanner is connected to the printer.

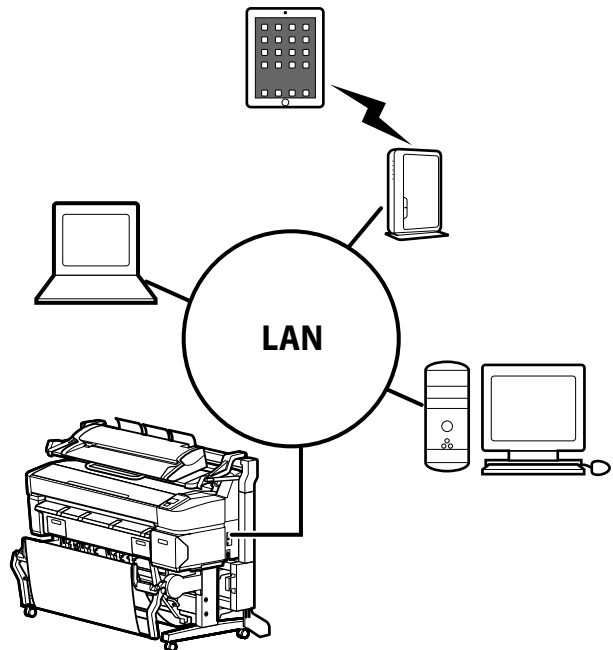
The following procedure describes how to start Copy Center.

- 1 Start a web browser on a tablet terminal or computer connected to the printer via the network.
- 2 Enter the IP address specified on the printer in the address bar, and then press the Enter key or the return key.
- 3 In the displayed screen, click Copy Center.



The printer does not have a wireless LAN function. To connect the printer and a tablet terminal over the network, you need a wireless LAN router or wireless LAN access point.

### Example



For supported operating systems and browsers, see the following section.

[☞ "System Requirements" on page 200](#)

### Address Settings

To scan to e-mail or scan to a shared folder, you must configure the mail server and register the e-mail destination address and shared folder address in advance.



**Important:**

*If you use the Scan to e-mail or Scan to Shared folder functions or manage in CopyCenter without configuring the security settings, problems may occur, including the interception or falsification of information.*

*We recommend that before you use the product, you sufficiently understand the problems that can occur during operation without configuring security settings, and then configure the security settings at your own discretion and responsibility.*

### Mail Server Settings

Use Remote Manager to configure the mail server settings (SMTP/POP3). As with Copy Center, Remote Manager is included in the network interface of this printer.



## Copying and Scanning

The following procedure describes how to start Copy Center.

- 1 Start a web browser on a tablet terminal or computer connected to the printer via the network.
- 2 Enter the IP address specified on the printer in the address bar, and then press the Enter key or the return key.
- 3 In the displayed screen, click **Remote Manager**.
- 4 Select the Step tab screen, and then click **Mail** in the menu on the left of the screen.

See the help for more details on Remote Manager.

### Creating and Editing the Address Book

Use Copy Center to create and edit the address book.

- 1 Start Copy Center.
- 2 In the upper part of the screen, click the **Settings** icon.

See the help for more details on Copy Center.

---

## Loading Documents

### Notes on Loading Documents in the Scanner

This section describes the document widths and paper types that can be loaded and documents that cannot be loaded.



**Important:**

*If a document covered in dust is loaded, the dust may adhere inside the Multifunction Scanner and decline the quality of copied or scanned images. Before loading a document in the scanner, remove any dust from the document.*

#### Width of documents that can be loaded

152 to 914 mm (6 to 36 inches)

#### Document paper types that can be loaded

- Plain Paper
- Recycled paper
- Tracing paper
- Matte film
- Blueprint copy
- Matte paper for ink jet printers
- Synthetic paper
- Newspaper
- Advertisement paper
- Photopaper

\* When loading a thin document, we recommend placing it between clear holders or other similar objects.

#### Documents that cannot be loaded

Do not load the following documents. Failure to observe this precaution could cause paper jams or damage the scanner.

- Documents with creases or wrinkles
- Documents with bindings
- Documents with curls
- Documents with carbon backing
- Documents with staples, paper clips, or glue attached
- Documents with many holes, such as loose leaf paper
- Documents with irregular shapes or not cut at right angles
- Documents with photos, stickers, or labels attached
- Transparent documents
- Glossy documents
- Deteriorated documents

## Copying and Scanning

- ❑ Documents with rips

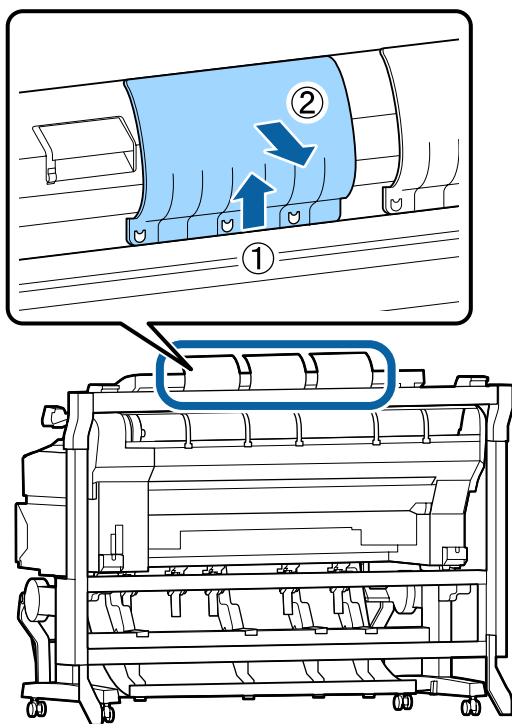
### How to Load Documents

Before you load a document with the thickness of 0.25 mm or larger, carry out the following three actions.

#### Remove the paper eject guides (when document thickness is 0.25 mm or more)

Remove all paper eject guides of the scanner.

If the paper eject guides are left attached, the document will strike them and not be ejected.



#### Set the document eject direction to forward (when document thickness is 0.25 mm or more)

Make sure the document eject direction is forward.

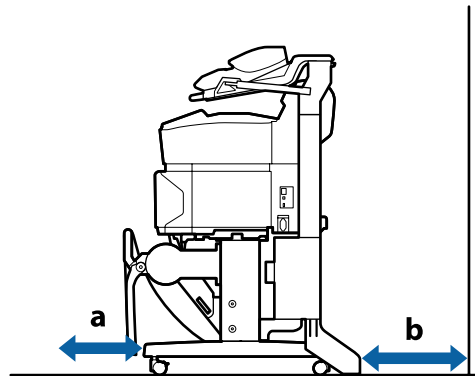
If the document is ejected backward with the paper eject guides removed, the document will fall to the rear side and be damaged by folding or dirt.

[“Changing the document eject direction” on page 77](#)

#### Ensure forward and backward space (when

#### document thickness is 0.25 mm or more)

When the document is read, it is pushed out forward and backward. The approximate amount of space required is shown below. If the printer is set up near a wall, make sure there is enough space at the rear.

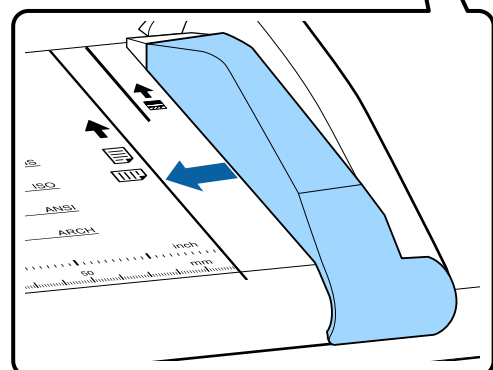
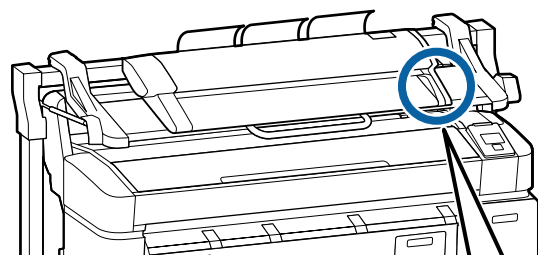


Paper Size	Forward (a)	Backward (b)
A2	185mm	220mm
A1	432mm	467mm
24 × 30 inch	353mm	388mm
30 × 40 inch	607mm	642mm

#### Loading documents

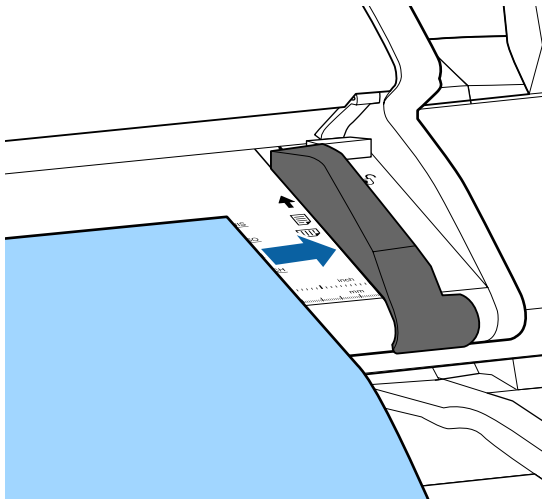
- 1 Align the loading guide with the document loading position.

To ensure that the document is not fed on an angle, we recommend inserting the long side of the document.



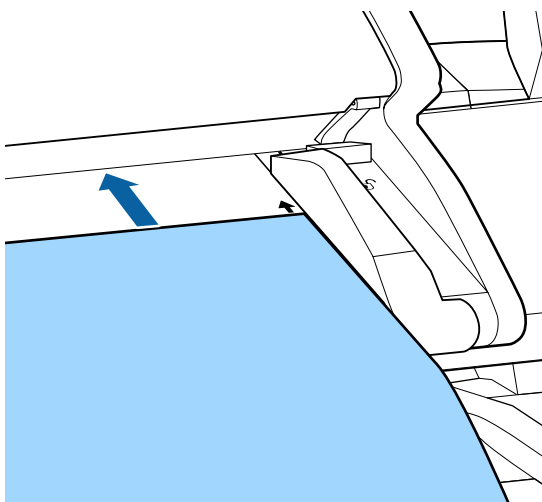
## Copying and Scanning

- 2 With the side of the document to be read facing up, align the right edge of the document with the loading guide.



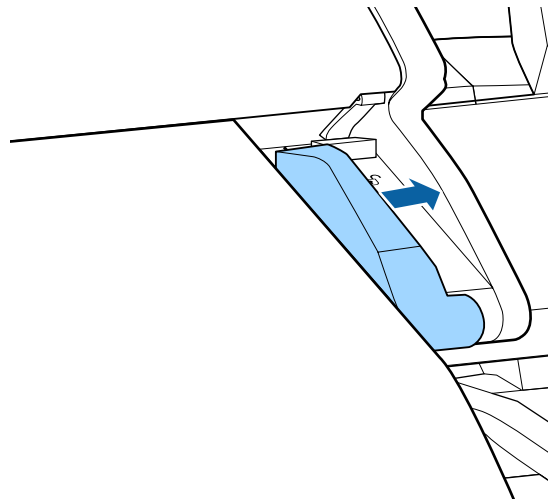
- 3 Insert the document horizontally so that the entire edge touches all inner rollers.

If the edge touches the roller, the document is fed to the read start position automatically. After automatic loading starts, release your hand and do not obstruct the loading of the document.



- 4 After the document has been loaded, remove the loading guide, and then make sure the left edge of the document and the guide line are aligned.

If the document is copied or scanned with the loading guide still attached, the edge of the document may be damaged.



**Important:**

If the document slants greatly from the guide line, the slanted and protruding section is not copied or scanned. Press the ► button to eject the document, and then reload the document.

**Note:**

If the document is 1 m or longer, support it with your hands so that it does not slant during reading.

## Large Copying

This section describes the procedure to copy on the control panel of the printer.

Copies are printed along the following loading paths depending on the model you are using.

- T7270/T5270/T3270

Loaded roll paper or cut sheet

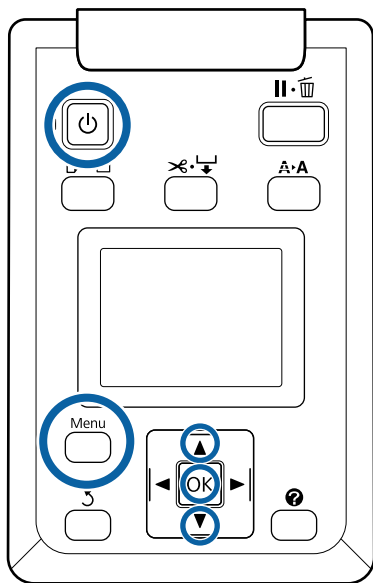
## Copying and Scanning

### □ T7270D/T5270D

Select Roll 1/2, and then print

The procedure to select Roll 1/2 is described in Step 6 below.

Buttons that are used in the following settings



- 1 Turn on the printer by pressing the button.  
When the printer is turned on, the scanner is also turned on.
- 2 Load paper suitable for large copying on the printer.  
[☞ “Epson Special Media Table” on page 187](#)
- 3 Load document on the scanner.  
[☞ “How to Load Documents” on page 74](#)
- 4 Make sure that the Large copy/Large scan screen appears.  
If another screen appears, use the buttons to select the tab.
- 5 At Large copy/Large scan screen, use the buttons to select **Copy** and press the OK button.  
The Large copy screen appears.

- 6 On the Large copy screen, you can press the buttons to select the number of copies. Press the OK button to start copying.

To change the copy settings or enlargement ratio, press the Menu button to display the Copy settings menu. When the Multifunction Scanner is connected to the T7270D/T5270D, you can specify whether to print to Roll 1 or Roll 2 in the Copy settings menu.

Using the Copy Settings menu [☞ “Menu Operations” on page 125](#)

Settings [☞ “Large Copy / Large Scan menu” on page 153](#)

- 7 When copying has finished, the screen returns to the one in Step 6. Press the button to eject the document. When the OK button is pressed after loading a document, copying can continue.

After copying has finished, always eject the document. If the next document is loaded with the previous document still inside, the next document cannot be fed correctly.

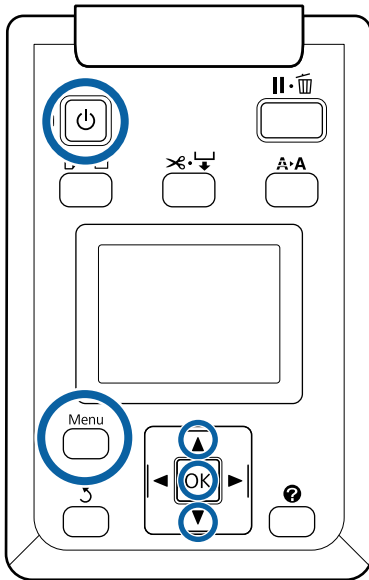
You can change the eject direction of the document. Changing the eject direction [☞ “Changing the document eject direction” on page 77](#)

## Copying and Scanning

### Large Scan

This section describes the procedure to scan on the control panel of the printer.

Buttons that are used in the following settings



- 1 Turn on the printer by pressing the button.  
If the printer is turned on, the scanner is also turned on.
- 2 Load paper suitable for the large scan function of the printer.  
[“Epson Special Media Table” on page 187](#)
- 3 Load document on the scanner.  
[“How to Load Documents” on page 74](#)
- 4 Make sure that the Large copy/Large scan screen appears.  
If another screen appears, use the buttons to select the tab.
- 5 At Large copy/Large scan screen, use the buttons to select **Scan** and press the **OK** button.  
A screen appears to select the save/send destination of the scanned file.
- 6 Use the buttons to select save/send destination and press the **OK** button.

If the **HDD** was selected, proceed to Step 8.

If **Shared Folder** or **Send By Mail** was selected, proceed to Step 7.

- 7 Use the buttons to select the save destination folder or address, and then press the **OK** button.
- 8 The details of the main scan settings appear. When the **OK** button is pressed, scanning starts.

To change the settings, press the **Menu** button to display the Scan Setting menu.

Using the Scan Setting menu

[“Menu Operations” on page 125](#)

Settings

[“Large Copy / Large Scan menu” on page 153](#)

- 9 When scanning has finished, the screen returns to the one in Step 8. Press the button to eject the document. When the **OK** button is pressed after loading the document, you can continue saving or sending scanned files to the same save/send destination.

After scanning has finished, always eject the document. If the next document is loaded with the previous document still inside, the next document cannot be fed correctly.

You can change the eject direction of the document.

Changing the eject direction

[“Changing the document eject direction” on page 77](#)

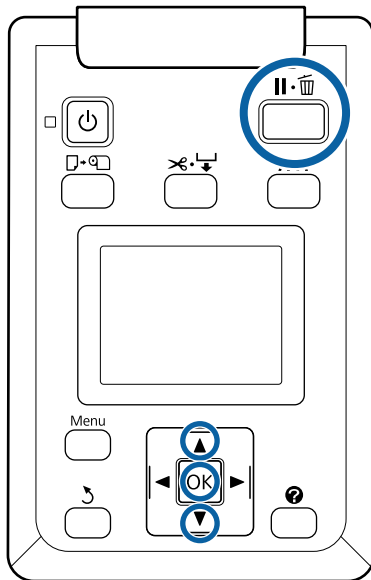
### Changing the document eject direction

After copying or scanning has finished, you can change the eject direction when the document eject operation is performed. The default setting is forward ejection.

## Copying and Scanning

When the direction has been changed to backward, attach the paper eject guides before use. If the document is ejected backward with the paper eject guides removed, the document will fall to the rear side and be damaged by folding or dirt.

Buttons that are used in the following settings



- 1 At Large copy/Large scan screen, use the ▼/▲ buttons to select **Scanner Maintenance** and press the OK button.
- 2 Use the ▼/▲ buttons to select **Eject Direction** and press the OK button.
- 3 Use the ▼/▲ buttons to select the desired option and press the OK button.
- 4 Press the ||·🗑️ button to exit.

### Operations for Image Files that were Scanned or Received

You can perform the following operations for scanned files or scanned files that were sent by e-mail from another printer.

- Print (JPEG files with a resolution that supports direct printing only)

Load paper suitable for the large scan function on

the printer.

➤ [“Epson Special Media Table” on page 187](#)

Furthermore, printing is carried out along the following loading paths depending on the model you are using.

- T7270/T5270/T3270

Loaded roll paper or cut sheet

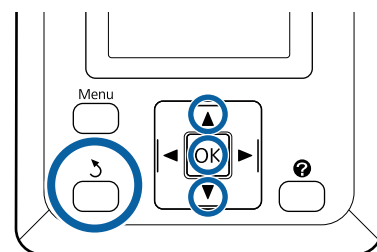
- T7270D/T5270D

Roll paper currently in use

You can check whether the roll paper currently in use in is Roll 1 or Roll 2 by selecting the 🗑️ tab.

- Send as an e-mail attachment
- Send to a shared folder on the network
- Delete a file

Buttons that are used in the following settings



- 1 Make sure that the Large copy/Large scan screen appears.





If a value such as (3) appears up in **Received File Options**, the value indicates the number of unprinted files of the received files that support direct printing.

- 2 At Large copy/Large scan screen, use the ▼/▲ buttons to select **Received File Options** or **Scan File Options** and press the OK button.







A list of selected files appears. The following chart shows the meaning of the icons beside the file names.

## Copying and Scanning


### When Received File Options was selected

	Indicates an unprinted JPEG file that supports direct printing. If printed even once, the icon changes to  .
	Indicates a file that cannot be printed directly.
	Indicates a JPEG file with a resolution that supports direct printing.

### When Scan File Options was selected

	Indicates an image file that was sent to a shared folder. Indicates a file that cannot be printed directly.
	Indicates an image file that was sent to a shared folder. Indicates a JPEG file with a resolution that supports direct printing.
	Indicates an image file that was saved to a hard disk. Indicates a file that cannot be printed directly.
	Indicates an image file that was saved to a hard disk. Indicates a JPEG file with a resolution that supports direct printing.
	Indicates an image file that was sent by e-mail. Indicates a file that cannot be printed directly.
	Indicates an image file that was sent by e-mail. Indicates a JPEG file with a resolution that supports direct printing.

- 3 Use the ▼/▲ buttons to select the file you want to manage and press the OK button.

When a file with  displayed is selected in **Received File Options** and you press the OK button, printing starts.

If another job was selected, proceed to Step 4.

**Note:**

When you press the ► button, information on the selected file is displayed.

- 4 Use the ▼/▲ buttons to select the operation you want to carry out and press the OK button.

If **Print** or **Delete** was selected, check the screen display and carry out the operation.

When **Send To Shared Folder** or **Send by Mail** has been selected, a screen appears to select the save destination folder or send destination. Follow the same operations as when scanning.

- 5 When the operation has been completed, the screen returns to the file list screen. Press the ⏪ button to exit.

More Ways to Print

# More Ways to Print

## Enlargements and Horizontal and Vertical Banners

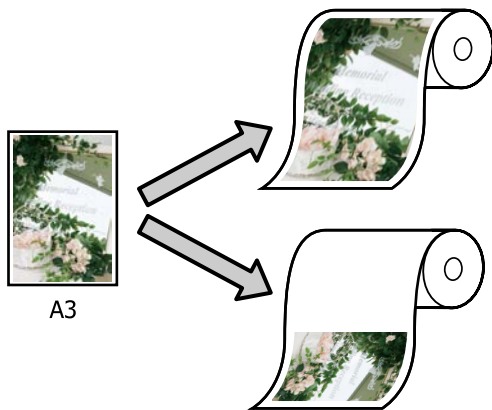
The printer driver can enlarge or reduce documents for different paper sizes. There are three setting methods.

Before printing at non-standard sizes, including vertical or horizontal banners and documents with equal sides, enter the desired paper size in the printer driver.

[“Printing at Non-Standard Sizes” on page 84](#)

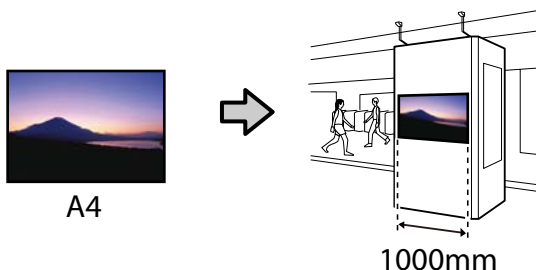
Fit to Roll Paper Width

Automatically enlarges or reduces the image size to fit the roll paper width.



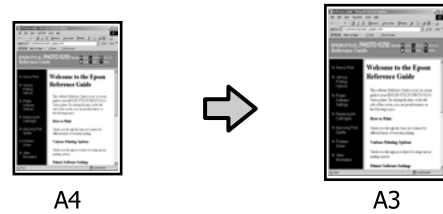
Specify Size

You can specify the enlargement or reduction ratio. Use this method for a non-standard paper size.



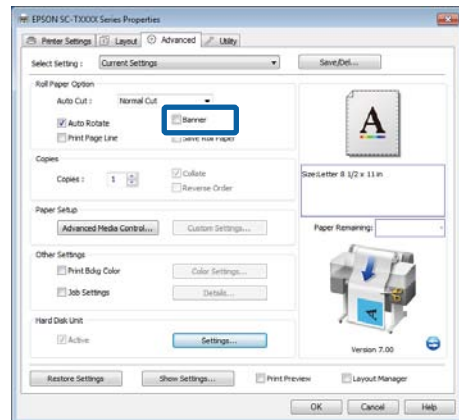
Fit to Output Size

Automatically enlarges or reduces the image size to fit the paper size.



**Note:**

- When printing from applications designed expressly for horizontal or vertical banners, adjust printer driver settings as described in the application documentation.
- When using Windows applications designed for horizontal or vertical banners, select **Banner** in the Advanced tab as required.



## Fitting Documents to the Width of the Roll Paper

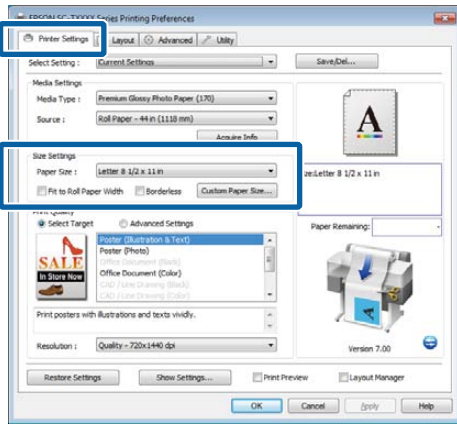
### Making Settings in Windows

- 1 Display the printer driver's Printer Settings tab and select a **Paper Size** that matches the document page size.

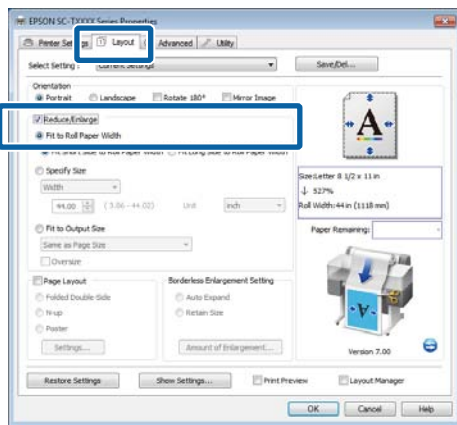


More Ways to Print

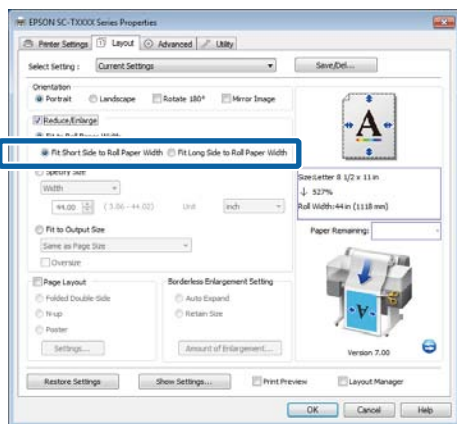
“Basic Printing Methods (Windows)” on page 57



2 In the Layout tab, select **Reduce/Enlarge** and click **Fit to Roll Paper Width**.

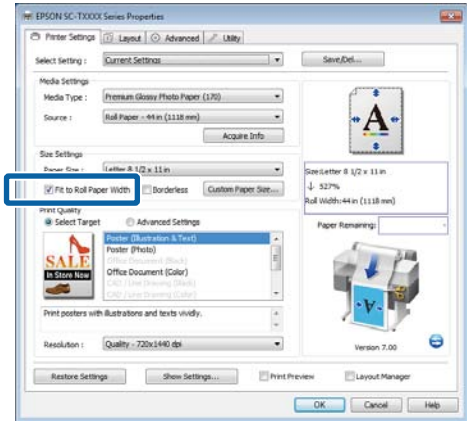


3 Choose whether to fit the short or long edge of the document to the roll paper width.



**Note:**

Output can also be fitted to the roll width by selecting **Fit to Roll Paper Width** in the **Printer Settings** tab.



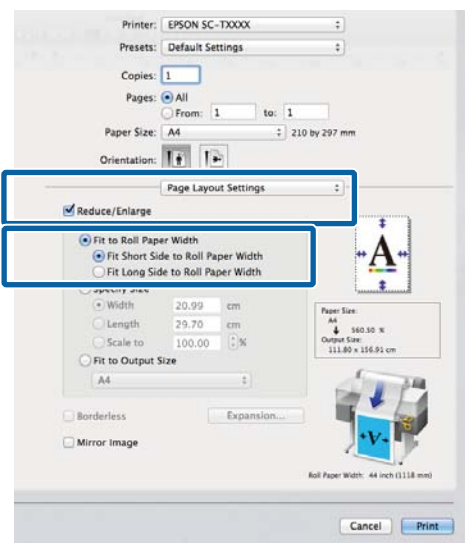
4 Check other settings, and then start printing.

**Making Settings for Mac OS X**

1 Choose **Page Layout Settings** from the list in the print dialog and select **Reduce/Enlarge**.

“Basic Printing Methods (Mac OS X)” on page 60

2 Select **Fit to Roll Paper Width** and choose whether to fit the short or long edge of the document to the roll paper width.



3 Check other settings, and then start printing.

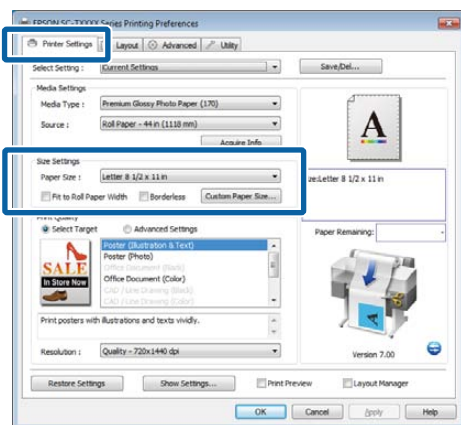
## More Ways to Print

### Choosing a Print Size

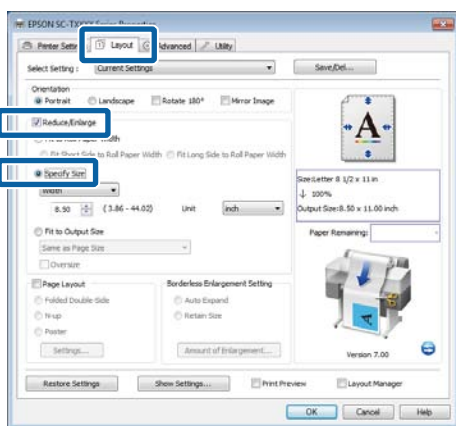
#### Making Settings in Windows

- 1 Display the printer driver's Printer Settings tab and select a **Paper Size** that matches the document page size.

“Basic Printing Methods (Windows)” on page 57

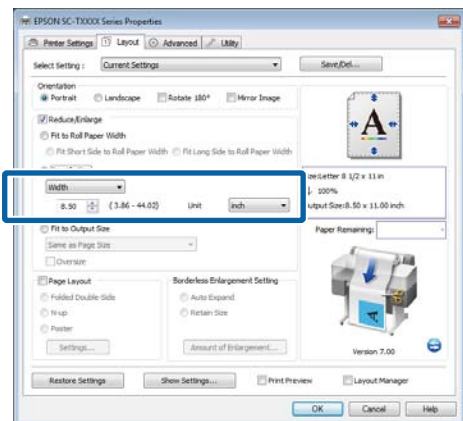


- 2 In the Layout tab, select **Reduce/Enlarge** and click **Specify Size**.



- 3 Choose an input method and select a size.

Enter a value directly or click the arrows to the right of the scale box to set the value.



- 4 Check other settings, and then start printing.

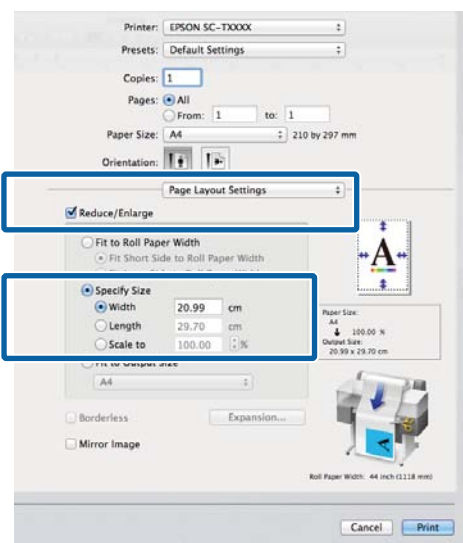
#### Making Settings for Mac OS X

- 1 Choose **Page Layout Settings** from the list in the print dialog and select **Reduce/Enlarge**.

“Basic Printing Methods (Mac OS X)” on page 60

- 2 Select **Specify Size**, choose a method for specifying the size, and select a size.

Enter a value directly or click the arrows to the right of the scale box to set the value.



- 3 Check other settings, and then start printing.

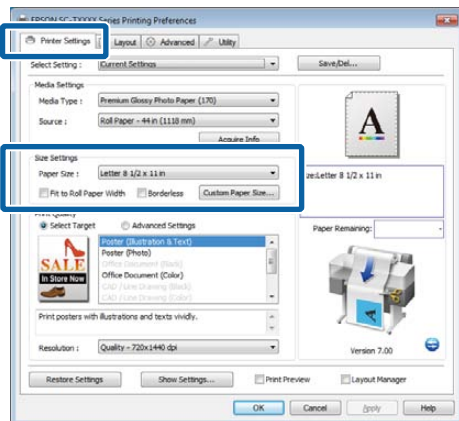
## More Ways to Print

## Fitting Documents to the Output Size

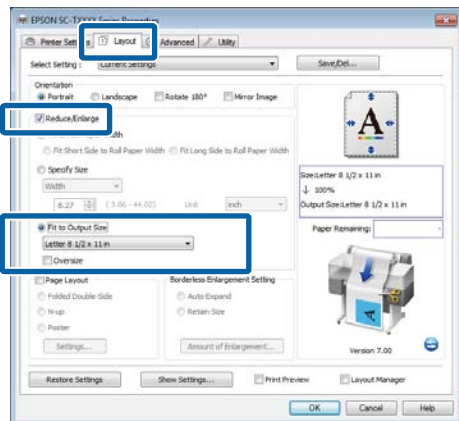
### Making Settings in Windows

- 1 Display the printer driver's Printer Settings tab and select a **Paper Size** that matches the document page size.

 “Basic Printing Methods (Windows)” on page 57



- 2 In the Layout tab, select **Reduce/Enlarge** and click **Fit to Output Size**.



- 3 Select the size of the paper used for printing.  
To print the document, margins excluded, at precisely the selected output size, select **Override**.

**Note:**

When printing using **Override**, load paper that is as large as the selected **Output Size** plus the margins needed by the printer.

Printer margins  “Printable area” on page 63

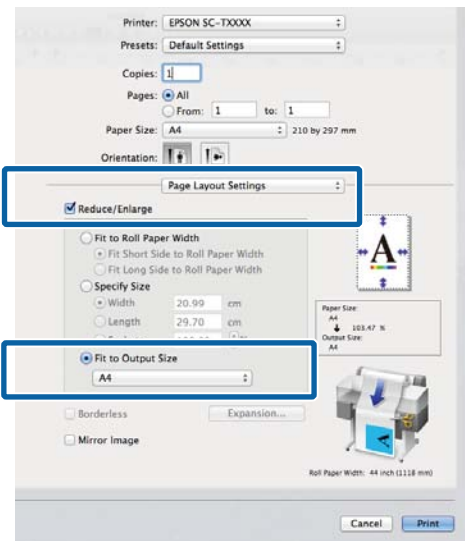
- 4 Check other settings, and then start printing.

### Making Settings for Mac OS X

- 1 Choose **Page Layout Settings** from the list in the print dialog and select **Reduce/Enlarge**.

 “Basic Printing Methods (Mac OS X)” on page 60

- 2 Select **Fit to Output Size** and choose a paper size that matches the paper in the printer.



- 3 Check other settings, and then start printing.

**Note:**

Output can also be fitted to the paper size by selecting **Scale to fit paper size** in the print dialog **Paper Handling** pane.

More Ways to Print

# Printing at Non-Standard Sizes

Before printing at non-standard sizes, including vertical or horizontal banners and documents with equal sides, save the desired paper size in the printer driver. Once they have been saved in the printer driver, custom sizes can be selected in the application **Page Setup** and other print dialogs.



The following sizes can be used.

Paper Width	T7270/T7270D	89 to 1,118 mm
	T5270/T5270D	89 to 914 mm
	T3270	89 to 620 mm*1
Length*2	Windows: 127 to 15,000 mm Mac OS X: 127 to 15,240 mm	

- \*1. The maximum printable width is 610 mm.
- \*2. The paper length can be longer if using applications that support banner printing. However, the actual print size depends on the application, the paper size loaded in the printer, and the computer environment.

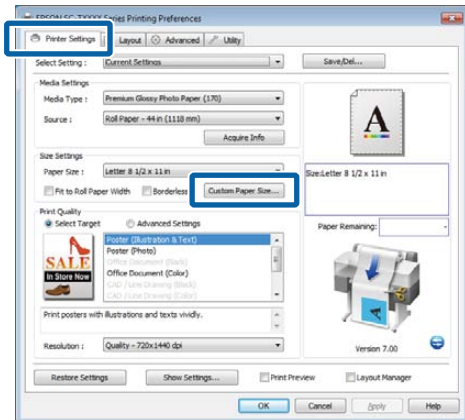
**Important:**

- ❑ The smallest size supported by the printer is 254 mm wide × 127 mm long. If a smaller size is entered in the printer driver as a **Custom Paper Size**, the document will print with wider-than-expected margins, which must be trimmed.
- ❑ For Mac OS X Custom Paper Sizes, although you can specify a large paper size which cannot be loaded on this printer, it will not be printed properly.
- ❑ The available output size is limited depending on the application.

## Making Settings in Windows

- 1 Display the printer driver's Printer Settings tab and click the **Custom Paper Size**.

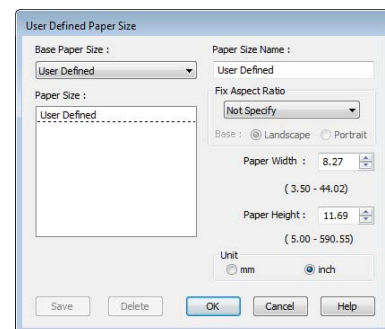
☞ “Basic Printing Methods (Windows)” on page 57



**Important:**  
*Custom Paper Size is not available when Front - Poster Board is selected for Source.*

- 2 Enter the desired size in the User Defined Paper Size dialog and click **Save**.

- ❑ You can enter up to 24 single-byte characters for the **Paper Size Name**.
- ❑ To view **Paper Width** and **Paper Height** values for a standard size close to the desired custom size, select the appropriate option for **Base Paper Size**.
- ❑ If you specify the desired **Fix Aspect Ratio** and select **Landscape** or **Portrait** for **Base**, you need only enter either the **Paper Width** or **Paper Height**.



## More Ways to Print

**Note:**

- To change the paper size you saved, select the paper size name from the list on the left.
- To delete the user-defined size you saved, select the paper size name from the list on the left, and then click **Delete**.
- You can save up to 100 paper sizes.

3 Click **OK**.

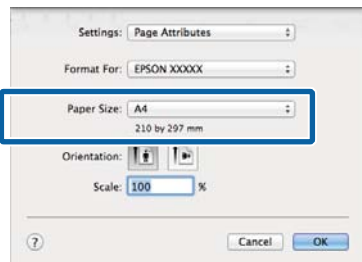
The saved sizes are now available in the **Paper Size** menu of the Printer Settings tab.

You can now print as normal.

### Making Settings for Mac OS X

1 When the Print screen is displayed, select **Manage Custom Sizes** from the **Paper Size** list.

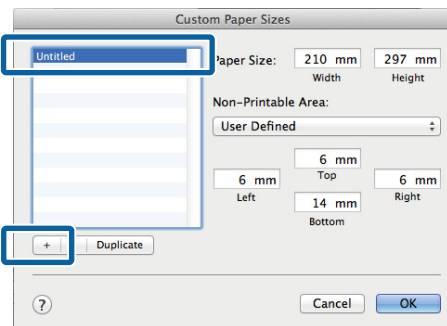
[“Basic Printing Methods \(Mac OS X\)” on page 60](#)



**Note:**

If page setting options are not available in the application's print dialog, display the page settings dialog.

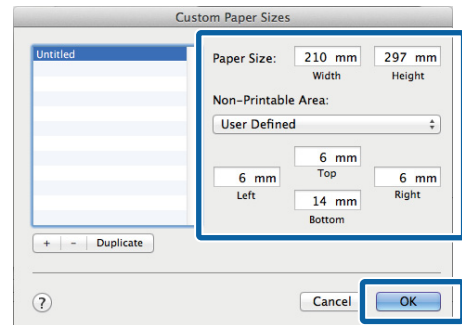
2 Click **+**, and then enter the paper size name.



3 Enter the **Width**, **Height** for the **Paper Size**, enter the margins, and then click **OK**.

The range of values available for page sizes and margins vary with the printer model and the values selected with the printer.

[“Printable area” on page 63](#)



**Note:**

- To edit a saved custom size, choose its name from the list on the left.
- To copy a saved custom size, select the size in the list on the left and click **Duplicate**.
- To delete a saved custom size, select it in the list on the left and click **-**.
- The custom paper size setting differs depending on the operating system version. See your operating system's documentation for details.

4 Click **OK**.

You can select the paper size you saved from the Paper Size pop-up menu.

You can now print as normal.

## More Ways to Print

# Printing CAD Drawings

The printer supports the HP-GL/2 driver and HP RTL (Raster Transfer Language) used in plotters. You can use one of the following methods to print CAD drawings with this printer.

- ❑ Print in the CAD / Line Drawing mode of the included printer driver.
- ❑ Print while emulating HP-GL/2 and HP RTL, which are used in plotters.

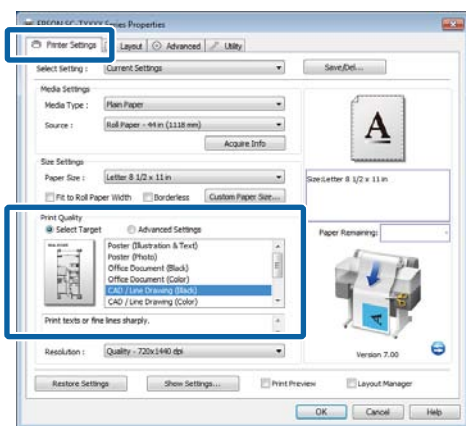
Whether the printer prints normally or prints while emulating HP-GL/2 and HP RTL is determined and selected automatically by the print data sent. If operation mode switching and printing are not performed correctly, open the Setup menu and set **Printer Mode** to **HP-GL/2**.

## Printing in the CAD / Line Drawing mode of the printer driver

When you will print a CAD drawing with Windows applications software, we recommend printing in the CAD / Line Drawing mode of the printer driver.

### Windows

- 1 Open the Printer Settings tab of the printer driver. Set **Print Quality** to **Select Target**, and then select **CAD / Line Drawing (Black)**, **CAD / Line Drawing (Color)** or **CAD / Line Drawing (Bi-Level)**.



### Note:

The **CAD / Line Drawing (Black)**, **CAD / Line Drawing (Color)**, and **CAD / Line Drawing (Bi-Level)** options are available for **Select Target** when a paper type suited to printing CAD drawings is selected.

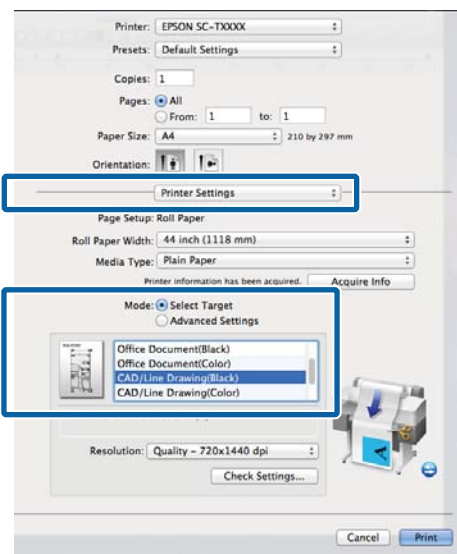
- 2 Check other settings, and then start printing.

### Mac OS X

- 1 Display the print dialog and select **Printer Settings** from the list.

🔗 [“Basic Printing Methods \(Mac OS X\)”](#) on page 60

- 2 Set **Mode** to **Select Target**, and then select **CAD / Line Drawing (Black)**, **CAD / Line Drawing (Color)**, or **CAD / Line Drawing (Bi-Level)**.



### Note:

The **CAD / Line Drawing (Black)** and **CAD / Line Drawing (Color)** options are available for **Select Target** when a paper type suited to printing CAD drawings is selected.

- 3 Check other settings, and then start printing.

## Printing while Emulating HP-GL/2 and HP RTL

The printer can emulate\* HP-GL/2 (compatible with HP Designjet 750C) and HP RTL.

When you want to print with applications using HP-GL/2 or HP RTL output, configure the output equipment as shown below according to your model.

- T7270/T7270D/T5270/T5270D

HP Designjet 750C C3195A

- T3270

HP Designjet 750C C3196A

- \* Not all functions are supported. If you will use an untested application, test its output in advance.

For a list of applications that have been tested, visit the Epson website at <http://www.epson.com>.



### **Important:**

*The printer may not perform as expected if the volume of the data to be printed is extremely large.*

When you will print while emulating HP-GL/2 and HP RTL, observe the following points.

- Select Paper Type setting

Set one of the following options for the **Select Paper Type** setting of the printer. If other paper types are used, print quality may be reduced.

Singleweight Matte/Plain Paper/Tracing Paper/Tracing Paper <Low Duty>

- HP-GL/2 Settings

When you will print while emulating HP-GL/2 and HP RTL, set the Print Settings as follows: On the printer, select Setup menu > **Printer Setup** > **HP-GL/2 Settings**.

[“Setup menu” on page 139](#)

## Switching Roll Paper Automatically before Printing (T7270D/T5270D Only)

Explanations in this section use a typical method to switch automatically to the appropriate roll paper for the print job.

### Switching to Roll 1/Roll 2 by Paper Type

For example, when you use the following method often, if you use the settings described below, the printer can switch between Roll 1 and Roll 2 automatically in accordance with the paper type.

#### Usage example

You use different types of paper depending on the purpose of its use. For example you print to plain paper for drawings for in-house checks and print to color print paper for presentations and drawings for clients.

In this example, the paper is loaded as follows. All paper has the same width.

Roll 1: Plain Paper

Roll 2: Singleweight Matte Paper

#### Settings on Windows

- 1 Using the control panel of the printer, confirm **Type Match** is set in Setup menu > **Printer Setup** > **Roll Paper Setup** > **Roll Switch Condition** > **Paper Type**.

The default **Paper Type** setting is **Type Match**. If the setting has not been changed, the setting is **Type Match**.

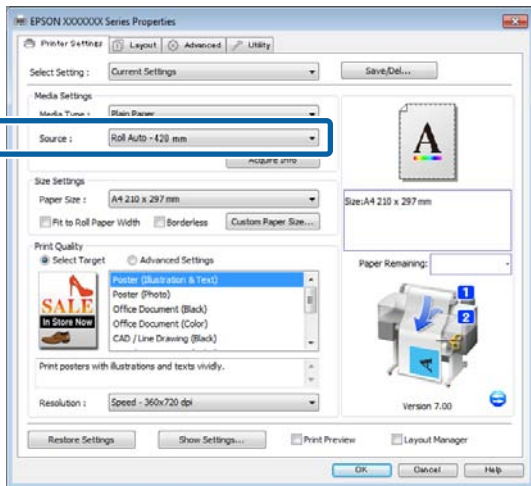
[“Setup menu” on page 139](#)

- 2 Open the Printer Settings tab of the printer driver and confirm that **Source** is **Roll Auto - XXXXX**.

XXXXX indicates the width of the roll paper currently in use.

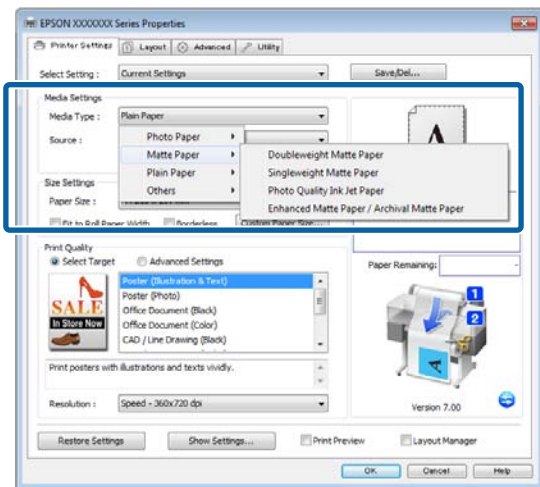
## More Ways to Print

If the setting is not **Roll Auto - XXXXX**, click it and select **Roll Auto - XXXXX**.



3 For **Media Type**, select the paper type you want to use for printing.

In this example, **Plain Paper** or **Singleweight Matte Paper** is selected depending on the purpose of its use.



4 Set **Paper Size**, **Print Quality**, and other necessary settings, and then print.

If a message **The Media Type differs to the setting on the printer.** is appears, click **Ignore**.

### Making Settings for Mac OS X

1 Using the control panel of the printer, confirm **Type Match** is set in Setup menu > **Printer Setup** > **Roll Paper Setup** > **Roll Switch Condition** > **Paper Type**.

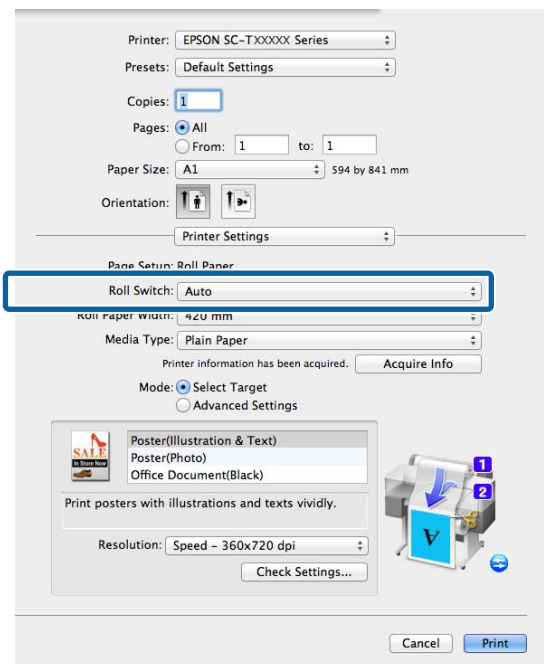
The default **Paper Type** setting is **Type Match**. If the setting has not been changed, the setting is **Type Match**.

“Setup menu” on page 139

2 On the computer, open the Print screen, confirm that **Paper Size** is Roll Paper, and then select **Printer Settings** from the list.

3 Check that the **Roll Switch** is **Auto**.

If the setting is not **Auto**, click it and select **Auto**.

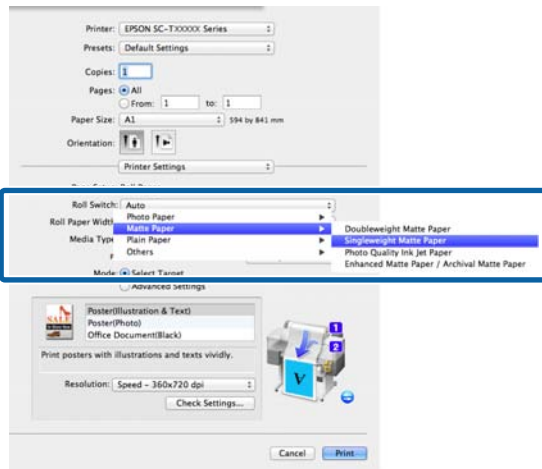


4 For **Media Type**, select the paper type you want to use for printing.



## More Ways to Print

In this example, **Plain Paper** or **Singleweight Matte Paper** is selected depending on the purpose of its use.



5 Set **Print Quality** and other necessary settings, and then print.

If a message **The Media Type differs to the setting on the printer.** is appears, click **Ignore**.

## Switching to Roll 1/Roll 2 by Document Size

For example, when you use the following method often, if you use the settings described below, the printer can switch between Roll 1 and Roll 2 automatically in accordance with the document size of the print job.

### Usage example

You want to switch automatically to the roll paper with the smaller margin automatically when printing drawings of various sizes including A0, A1, A2, and A3.

In this example, the paper is loaded as follows. The paper type is the same.

Roll 1: A2 width

Roll 2: A0 width

### Settings on Windows

1 Using the control panel of the printer, confirm **Best Fit** is set in Setup menu > **Printer Setup** > **Roll Paper Setup** > **Roll Switch Condition** > **Paper Width**.

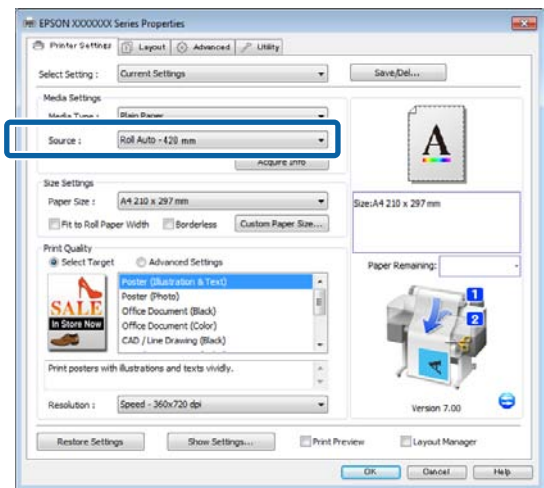
The default **Paper Width** setting is **Best Fit**. If the setting has not been changed, the setting is **Best Fit**.

☞ “Setup menu” on page 139

2 Open the Printer Settings tab of the printer driver and confirm that **Source** is **Roll Auto - XXXXX**.

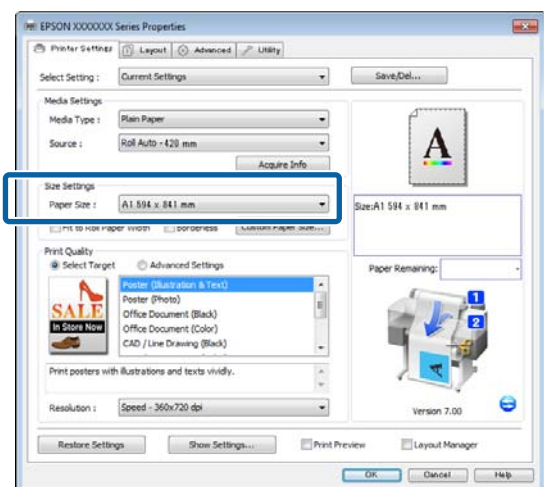
XXXXX indicates the width of the roll paper currently in use.

If the setting is not **Roll Auto - XXXXX**, click it and select **Roll Auto - XXXXX**.



3 For **Paper Size**, select the Paper Size set in the application.

In this example, select **A1 594 x 841 mm**.



## More Ways to Print

- 4 Set **Print Quality** and other necessary settings, and then print.


The printer prints to the roll paper of Roll 2 (A0 Width).

If **A3** or **A2** is selected in Step 3, the printer prints to the roll paper of Roll 1 (A2 Width).

### Making Settings for Mac OS X

- 1 Using the control panel of the printer, confirm **Best Fit** is set in Setup menu > **Printer Setup** > **Roll Paper Setup** > **Roll Switch Condition** > **Paper Width**.

The default **Paper Width** setting is **Best Fit**. If the setting has not been changed, the setting is **Best Fit**.

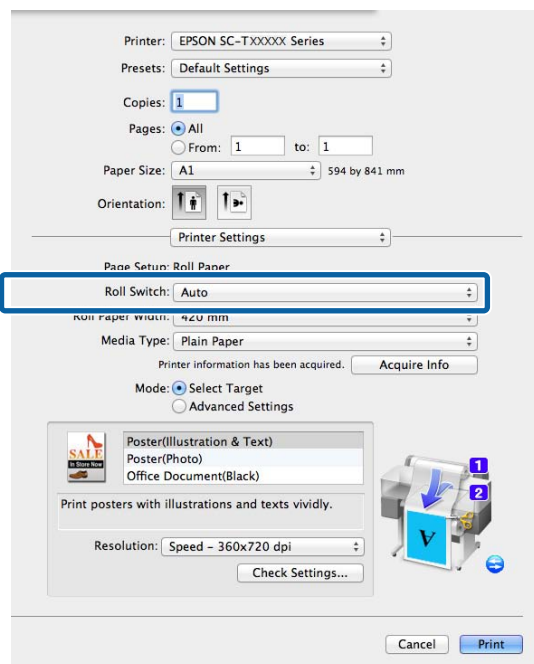
 [“Setup menu” on page 139](#)

- 2 On the computer, open the Print screen, confirm that **Paper size** is Roll Paper.

In this example, select **A1**.

- 3 Check that the **Roll Switch** is **Auto**.

If the setting is not **Auto**, click it and select **Auto**.



- 4 Set **Print Quality** and other necessary settings, and then print.

The printer prints to the roll paper of Roll 2 (A0 Width)

If **A3** or **A2** is selected in Step 2, the printer prints to the roll paper of Roll 1 (A2 Width).

## Switching to Roll 1/Roll 2 by Roll Length

If you use the settings described below, the printer switches between Roll 1 and Roll 2 automatically to print using the roll with the most paper remaining.

### Usage example

You want to predict whether the roll paper remaining is less than the print job during continuous unattended operation of a large print job, switch to the other roll paper automatically, and continue printing without stopping.

In this example, the paper is loaded as follows.

Roll 1: Plain Paper A1 Width

Roll 2: Plain Paper A1 Width

### Settings on Windows

- 1 Use the control panel of the printer to open the Paper menu and set **Roll Paper Remaining** to **On**, and then set the Roll Paper length loaded into both Roll 1 and Roll 2.

When you set the roll paper, if roll paper length has been set or a barcode with roll data is printed on the current roll, proceed to Step 2.

 [“Paper menu” on page 134](#)

- 2 Using the control panel of the printer, confirm **Print Length** is set in Setup menu > **Printer Setup** > **Roll Paper Setup** > **Roll Switch Condition** > **Paper Length**.

The default **Paper Length** setting is **Print Length**. If the setting has not been changed, the setting is **Print Length**.

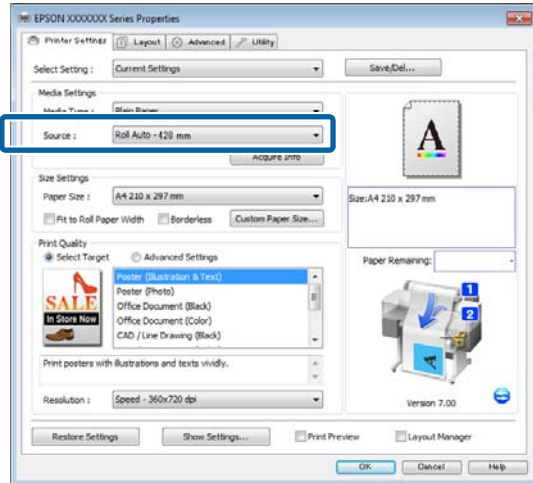
 [“Setup menu” on page 139](#)

- 3 Open the Printer Settings tab of the printer driver and confirm that **Source** is **Roll Auto - XXXXX**.

## More Ways to Print

XXXXX indicates the width of the roll paper currently in use.

If the setting is not **Roll Auto - XXXXX**, click it and select **Roll Auto - XXXXX**.



- 4 Set **Paper Size**, **Print Quality**, and other necessary settings, and then print.

If the printer predicts that the roll paper remaining is shorter than the print length during printing, it switches to the roll paper that is longer than the print length automatically and continues printing.

### Making Settings for Mac OS X

- 1 Use the control panel of the printer to open the Paper menu and set **Roll Paper Remaining** to **On**, and then set the Roll Paper length loaded into both Roll 1 and Roll 2.

When you set the roll paper, if roll paper length has been set or a barcode with roll data is printed on the current roll, proceed to Step 2.

[“Paper menu” on page 134](#)

- 2 Using the control panel of the printer, confirm **Print Length** is set in Setup menu > **Printer Setup** > **Roll Paper Setup** > **Roll Switch Condition** > **Paper Length**.

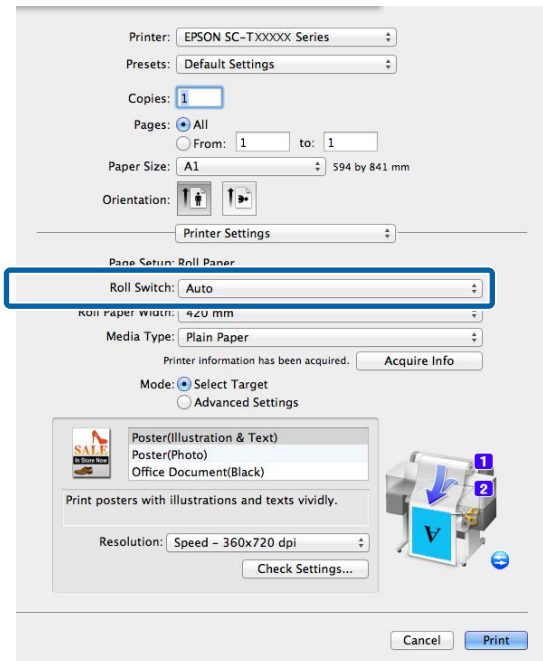
The default **Paper Length** setting is **Print Length**. If the setting has not been changed, the setting is **Print Length**.

[“Setup menu” on page 139](#)

- 3 On the computer, open the Print screen, confirm that **Paper Size** is Roll Paper, and then select **Printer Settings** from the list.

- 4 Check that the **Roll Switch** is **Auto**.

If the setting is not **Auto**, click it and select **Auto**.



- 5 Set **Print Quality** and other necessary settings, and then print.

If the printer predicts that the roll paper remaining is shorter than the print length during printing, it switches to the roll paper that is longer than the print length automatically and continues printing.

## More Ways to Print

### Borderless Printing

You can print your data without margins on the paper.

The types of borderless printing you can choose vary as shown below depending on the media type.

Roll Paper: No margins for all edges, no margins for the left and right

Cut Sheets: No margins for the left and right only


(Borderless printing is not available with poster board.)

When printing borderless for all edges, you can also configure the cutting operation.

 [“About Roll Paper Cutting” on page 94](#)

When performing left and right borderless printing, margins appear on the top and bottom of the paper.

Top and bottom margin values

 [“Printable area” on page 63](#)

### Types of Borderless Printing Methods

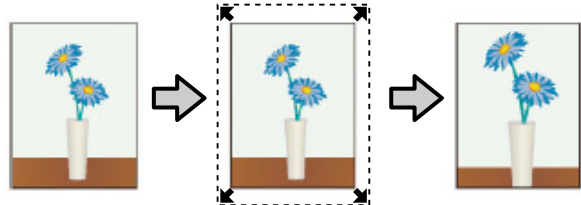
You can perform borderless printing using the following two methods.

#### Auto Expand

The printer driver enlarges the print data to a size slightly larger than the paper size and prints the enlarged image. The sections which are beyond the paper edges are not printed; therefore, resulting in borderless printing.

Use settings such as Page Setup in the applications to set the size of the image data as follows.

- Match the paper size and page setting for the print data.
- If the application has margin settings, set the margins to 0 mm.
- Make the image data as large as the paper size.

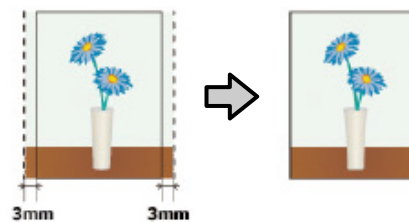


#### Retain Size

Create the print data larger than the paper size in the applications to produce borderless output. The printer driver does not enlarge the image data. Use settings such as Page Setup in the applications to set the size of the image data as follows.

- Create print data larger than its actual print size by 3 mm on the left and right (6 mm in total).
- If the application has margin settings, set the margins to 0 mm.
- Make the image data as large as the paper size.

Select this setting if you want to avoid image enlargement by the printer driver.



### Supported Media Sizes for Borderless Printing

The following media sizes are supported for borderless printing.

The sizes supported vary with the printer model.

## More Ways to Print

Supported paper widths	SC-T7200 Series/ SC-T7200 D Series	SC-T5200 Series/ SC-T5200 D Series	SC-T3200 Series
10 inch	✓	✓	✓
30 cm	✓	✓	✓
Super A3/ 329 mm/ 13 inch	✓	✓	✓
16 inch	✓	✓	✓
US C/17 inch	✓	✓	✓
B2/515 mm	✓	✓	✓
A1/594mm	✓	✓	✓
24 inch	✓	✓	✓
B1/728 mm	✓	✓	-
A0/841 mm	✓	✓	-
36 inch	✓	✓	-
B0/1030 mm	✓	-	-
44 inch	✓	-	-

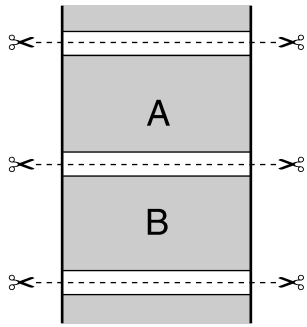
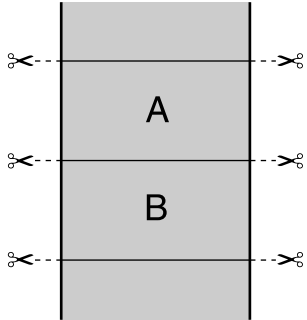
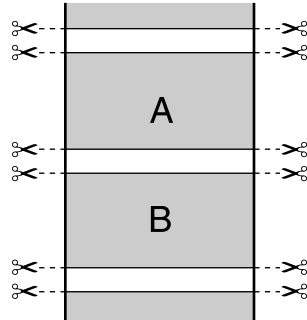
Depending on the media type, the print quality may decline or borderless printing cannot be selected.

 [“Epson Special Media Table” on page 187](#)

**More Ways to Print**

**About Roll Paper Cutting**

When performing borderless printing on roll paper, you can specify whether it is left and right borderless printing or all edges borderless printing, and how to cut the paper in the printer driver's **Roll Paper Option**. The cutting operation for each value is shown in the following chart.

Printer driver settings	Borderless	Single Cut	Double Cut
Cutting Operation			
Explanation	<p>The default printer driver setting is <b>Borderless</b>.</p>	<ul style="list-style-type: none"> <li><input type="checkbox"/> The top area may become slightly uneven depending on the image since the print operation stops while cutting the top edge of the roll paper.</li> <li><input type="checkbox"/> If the cut position is misaligned slightly, small parts of the image may be shown on the top or bottom of the adjacent pages. If this occurs, perform <b>Adjust Cut Position</b>. <a href="#">🔗 "The Maintenance Menu" on page 138</a></li> <li><input type="checkbox"/> When you print one page only or print one page multiple times, the operation is the same as that for <b>Double Cut</b>. When continuously printing multiple sheets, the printer cuts 1 mm inside on the top edge of the first page and the bottom edge of the subsequent pages to avoid showing margins.</li> </ul>	<ul style="list-style-type: none"> <li><input type="checkbox"/> The top area may become slightly uneven depending on the image since the print operation stops while cutting the top edge of the roll paper.</li> <li><input type="checkbox"/> The printed paper is approximately 2 mm shorter than the specified size since the printer cuts the paper inside the image to avoid showing top and bottom margins.</li> <li><input type="checkbox"/> After cutting the bottom edge of the previous page, the printer feeds the paper, and then cuts the top edge of the following page. Although this produces 60 to 127 mm cut-off pieces, the cut is more accurate.</li> </ul>

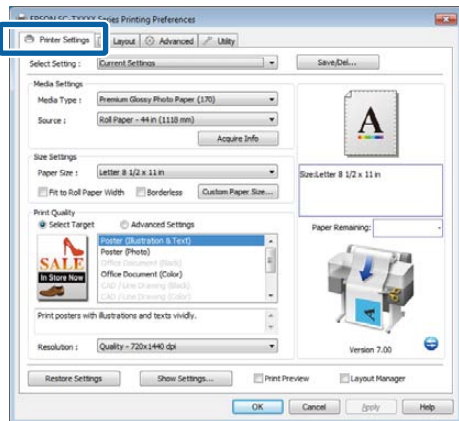
More Ways to Print

# Setting Procedures for Printing

## Making Settings in Windows

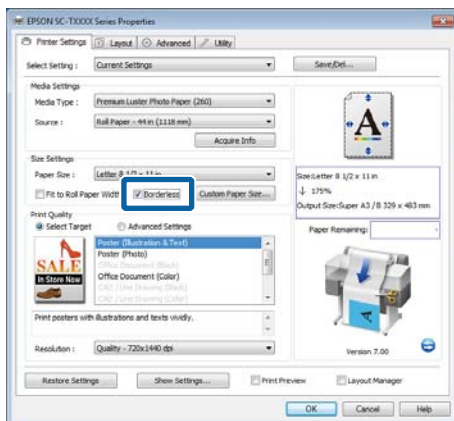
1 Display the printer driver's Printer Settings tab and adjust the following settings.

☞ “Basic Printing Methods (Windows)” on page 57

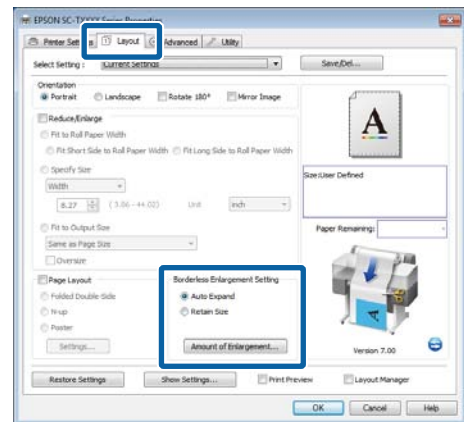


2 Select **Borderless** in the **Size Settings** area.

To fit output to the roll width, choose **Fit to Roll Paper Width** before selecting **Borderless**.



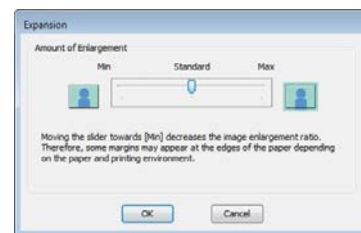
3 In the **Layout** tab **Borderless Enlargement Setting** area, select either **Auto Expand** or **Retain Size**.



If **Auto Expand** is selected, click **Amount of Enlargement** and choose the amount cut off at the edges.

**Note:**  
*Retain Size is not available when Fit to Roll Paper Width is selected in the Printer Settings tab or Reduce/Enlarge is selected in the Layout tab.*

- Max : 3 mm for left and 5 mm for right (the image shifts 1 mm to the right)
- Standard : 3 mm for left and right
- Min : 1.5 mm for left and right



**Note:**  
*Moving the slider towards Min decreases the image enlargement ratio. Therefore, some margins may appear at the edges of the paper depending on the paper and printing environment.*

4 When roll paper is used, **Auto Cut** options are available in the **Advanced** tab **Roll Paper Option** area.

☞ “About Roll Paper Cutting” on page 94

## More Ways to Print

5 Check other settings, and then start printing.

### Making Settings for Mac OS X

1 Open the Print screen and select the paper size from the **Paper Size** option, and then select a borderless printing method.

[“Basic Printing Methods \(Mac OS X\)” on page 60](#)

The selections for borderless printing methods are displayed as shown below.

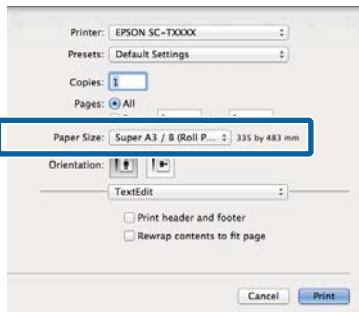
XXXX (Roll Paper - Borderless (Auto Expand))

XXXX (Roll Paper - Borderless (Retain Size))

XXXX (Sheet - Borderless (Auto Expand))

XXXX (Sheet - Borderless (Retain Size))

Where XXXX is the actual paper size, such as A4.



**Note:**

*If page setting options are not available in the application's print dialog, display the page settings dialog.*

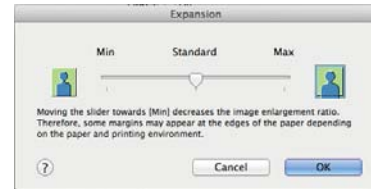
2 If **Auto Expand** is selected for paper size, select **Page Layout Settings** from the list and click **Expansion**.

The following section shows how much the image will be larger than the paper edges.

Max : 3 mm for left and 5 mm for right  
(the image shifts 1 mm to the right)

Standard : 3 mm for left and right

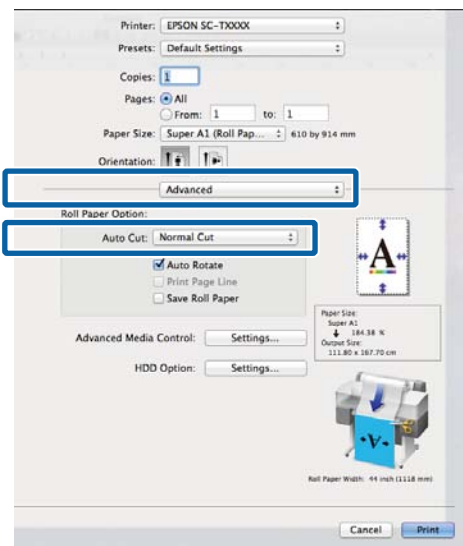
Min : 1.5 mm for left and right



**Note:**

*Moving the slider towards **Min** decreases the image enlargement ratio. Therefore, some margins may appear at the edges of the paper depending on the paper and printing environment.*

3 When using roll paper, select **Advanced** from the list and choose an **Auto Cut** option.



[“About Roll Paper Cutting” on page 94](#)

4 Check other settings, and then start printing.



## More Ways to Print

# Correct color and print

The printer driver automatically and internally corrects colors to match the color space. You can select from the following color correction modes.


- EPSON Standard (sRGB)
 

Optimizes the sRGB space and corrects the color.
- Business Graphics
 

Performs color correction to sharpen your images based on the sRGB space.
- Line Drawing
 

Optimizes color correction for line drawing by processing the border between lines and the background as discontinuous.
- ICM
 

Performs color management to match the colors in the image data to those in the printed output (Windows only).

 [“Color Management Printing” on page 109](#)
- Off (No Color Management)
 

Color correction is not performed by the printer driver. Choose if color management is performed by the application.

 [“Color Management Printing” on page 109](#)

If **EPSON Standard (sRGB)/Business Graphics/Line Drawing** is selected for **Color Mode**, a **Settings** button will be displayed.

Click the **Settings** button to adjust Gamma, Brightness, Contrast, Saturation, and color balance.

Use this option when the application in use does not have a color correction function.

**Note:**

*The color correction options available vary with the operating system and the type of paper used.*

## Making Settings in Windows

- 1 When using applications featuring a color management function, specify how to adjust colors from these applications.

When using applications without a color management function, start from Step 2.

Depending on the type of the application, make the settings following the table below.

Adobe Photoshop CS3 or later  
 Adobe Photoshop Elements 6 or later  
 Adobe Photoshop Lightroom 1 or later

OS	Color Management Settings
Windows 8.1, Windows 8, Windows 7, Windows Vista	Printer Manages Colors
Windows XP (Service Pack 2 or later and .NET 3.0 or later)	
Windows XP (other than the above)	No Color Management

In other applications, set **No Color Management**.

**Note:**

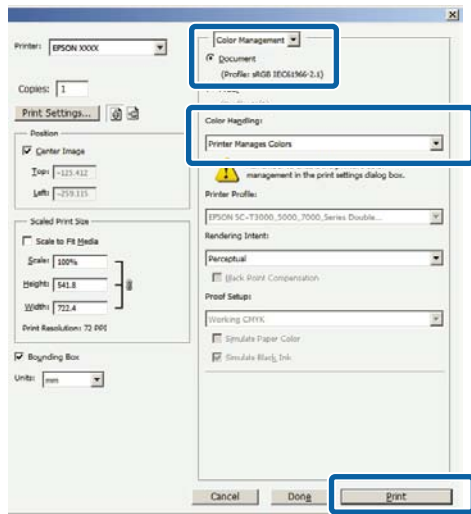
*For information on supported platforms, see the website for the application in question.*

Example of Adobe Photoshop CS5

Open the Print screen.

## More Ways to Print

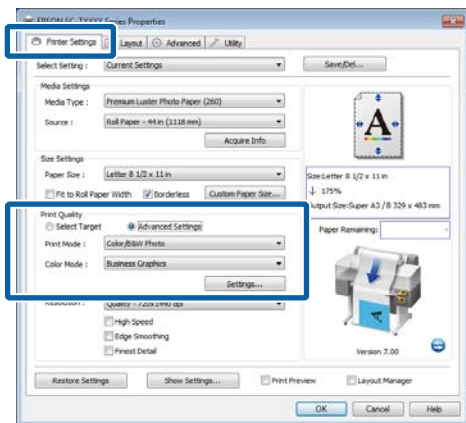
Select **Color Management** and then **Document**. Select **Printer Manages Colors** as the **Color Handling** setting, and then click **Print**.



2 In the printer driver's Printer Settings tab, select **Advanced Settings** for **Print Quality** and choose a color correction option.

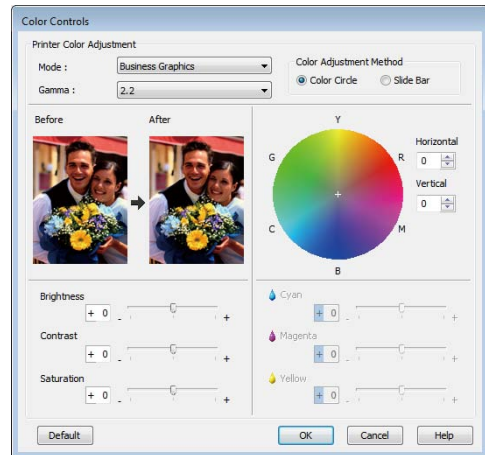
[“Basic Printing Methods \(Windows\)” on page 57](#)

Additional adjustments can be made by clicking **Settings**.



3 Clicking the **Settings** button allows you to adjust **Gamma**, **Brightness**, **Contrast**, **Saturation**, color balance, and other settings.

See the printer driver help for more details on each item.



**Note:**

You can adjust the correction value by checking the sample image on the left side of the screen. Color balance can also be adjusted by selecting **Color Circle** or **Slide Bar** for **Color Adjustment Method**.

4 Check other settings, and then start printing.

### Making Settings for Mac OS X

1 When using applications featuring a color management function, specify how to adjust colors from these applications.

When using applications without a color management function, start from Step 2.

When using the following applications, select the **Printer Manages Colors** color management option.

- Adobe Photoshop CS3 or later
- Adobe Photoshop Elements 6 or later
- Adobe Photoshop Lightroom 1 or later

In other applications, set **No Color Management**.

**Note:**

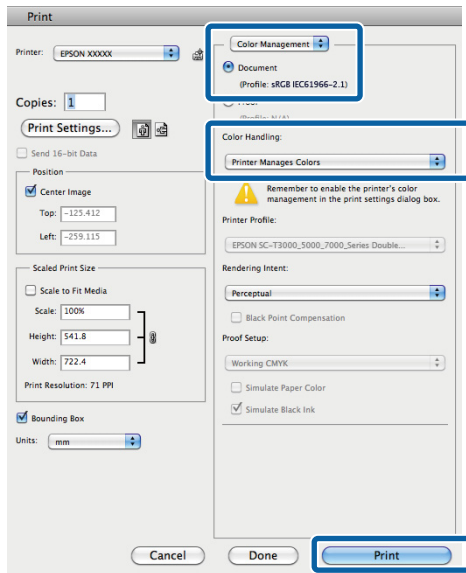
For information on supported platforms, see the website for the application in question.

Example of Adobe Photoshop CS5

## More Ways to Print

Open the Print screen.

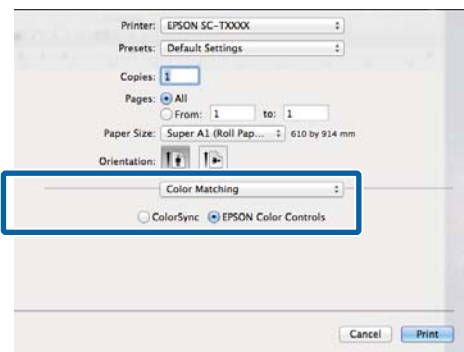
Select **Color Management** and then **Document**. Select **Printer Manages Colors** as the **Color Handling** setting, and then click **Print**.



2 Display the Print screen.

Click [“Basic Printing Methods \(Mac OS X\)”](#) on page 60

3 Select **Color Matching** from the list, and then click **EPSON Color Controls**.



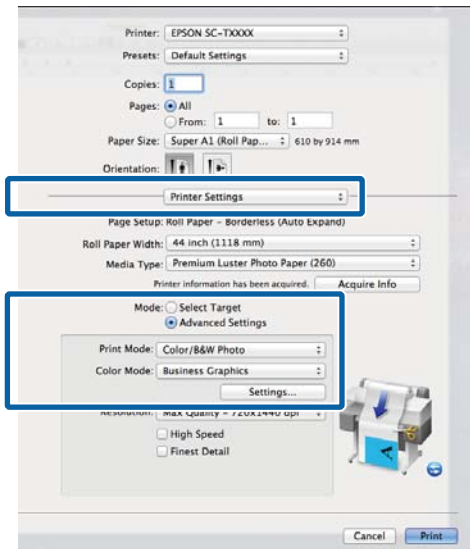
**Note:**  
*EPSON Color Controls will not be available in the following applications if Step 1 is omitted.*

- Adobe Photoshop CS3 or later
- Adobe Photoshop Lightroom 1 or later
- Adobe Photoshop Elements 6 or later

4 Choose **Printer Settings** from the list and select **Advanced Settings** for **Mode**.

5 Choose a color correction option from the **Color Mode** list.

Additional adjustments can be made by clicking **Settings**.



**Note:**

*When using the following applications with Mac OS X 10.5, clear the **Use Generic RGB** checkbox.*

- Adobe Photoshop CS3 or later
- Adobe Photoshop Lightroom 1 or later
- Adobe Photoshop Elements 6 or later

*Select the check box when using a different application from those listed above.*

6 Make the necessary settings.

See the printer driver help for more details on each item.



7 Check other settings, and then start printing.

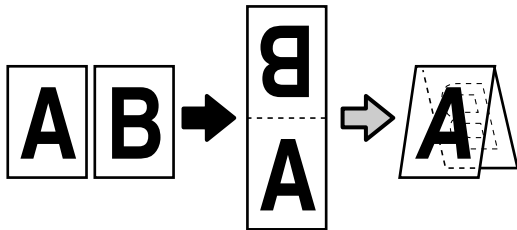
## More Ways to Print

# Multi-Page/Poster Printing

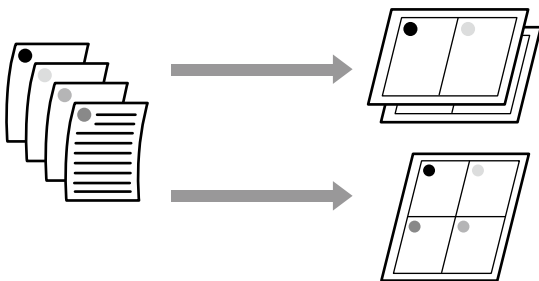
You can print multiple pages on a single sheet or a single page across multiple sheets.

The following three multi-page/poster printing methods are available.

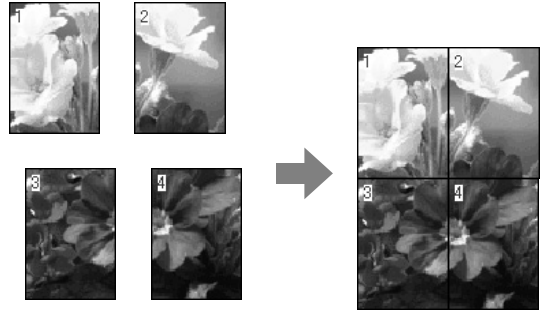
- Folded Double-Side (Windows only)**  
 Two consecutive pages are printed on a single sheet. The second page is flipped 180° and printed adjacent to the first page, allowing the paper to be folded to make a double-sided document.



- N-up**  
 Two or four consecutive pages can be printed on a single sheet.



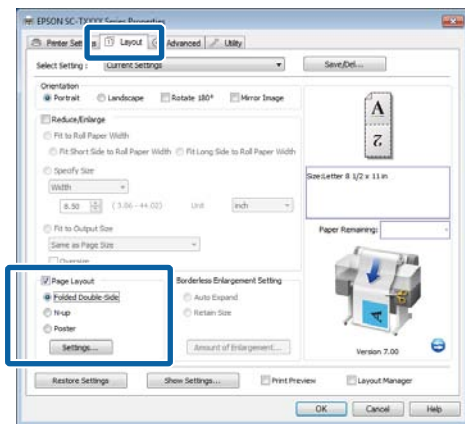
- Poster (Windows only)**  
 A single page can be printed across multiple sheets. The sheets can then be joined together to form large posters (up to 16 times the original size). If **Borderless Poster Print** is selected, the sheets can be joined without trimming the edges, but because the portions outside the edges of the paper will be lost, the joins may be imperfect.



## Folded Double-Side (Windows only)

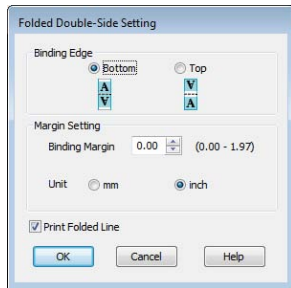
- In the printer driver's Layout tab, select **Page Layout**. Next, select **Folded Double-Side** and click the **Settings** button.

[“Basic Printing Methods \(Windows\)” on page 57](#)



## More Ways to Print

- In the Folded Double-Side Setting dialog box, set **Binding Edge** and **Binding Margin**.



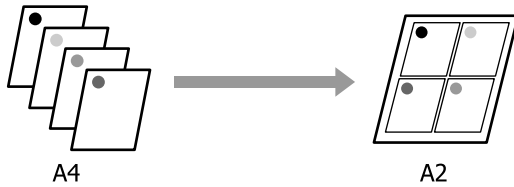
- Check other settings, and then start printing.

## N-up

**Note:**

- In Windows, you cannot use the N-up printing function when performing borderless printing.
- In Windows, you can use the Reduce/Enlarge function (Fit to Page) to print the data on different sizes of paper.

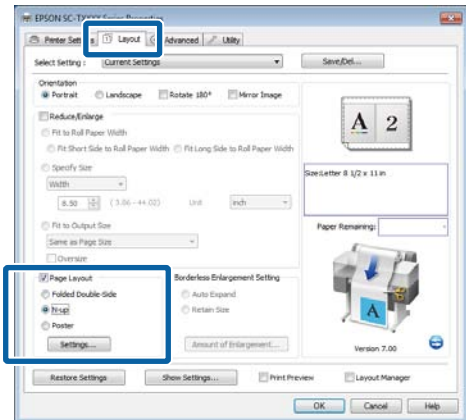
[“Printing at Non-Standard Sizes” on page 84](#)



### Making Settings in Windows

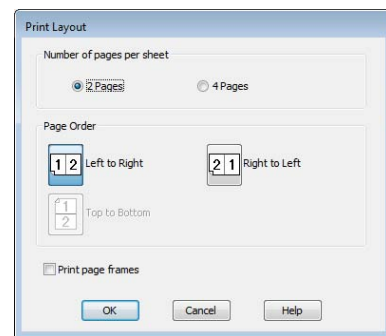
- In the printer driver's Layout tab, select **Page Layout**. Next, select **N-up** and click the **Settings** button.

[“Basic Printing Methods \(Windows\)” on page 57](#)



- In the Print Layout dialog box, select the **Number of pages per sheet** and **Page Order**.

If the **Print page frames** check box is selected, page frames are printed on each page.



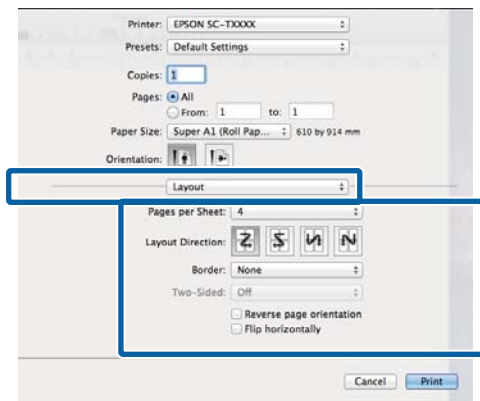
- Check other settings, and then start printing.

### Making Settings for Mac OS X

- When the Print screen is displayed, select **Layout** from the list, and then specify the number of pages per sheet and so on.

## More Ways to Print

“Basic Printing Methods (Mac OS X)” on page 60



**Note:**

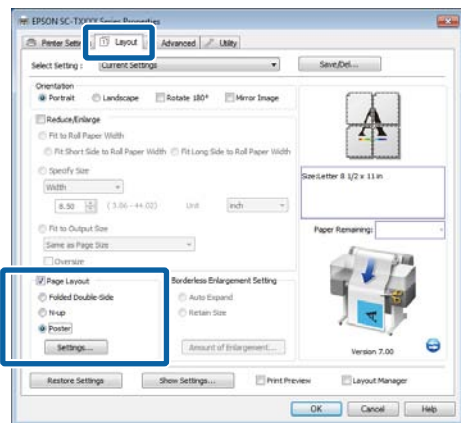
You can print frames around arranged pages using the **Border** function.

2 Check other settings, and then start printing.

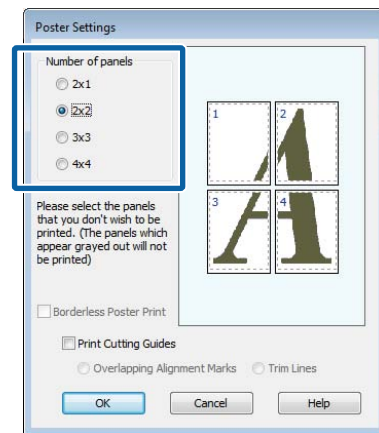
## Poster (Windows only)

1 In the printer driver's Layout tab, select **Page Layout**. Next, select **Poster** and click the **Settings** button.

“Basic Printing Methods (Windows)” on page 57

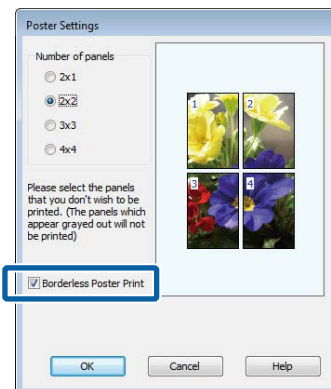


2 In the Poster Settings dialog box, select the **Number of panels**.



3 Enable or disable borderless printing.

**When borderless is selected:**  
Select **Borderless Poster Print**.



**Note:**

If **Borderless Poster Print** is grayed out, the selected paper or the size does not support borderless printing.

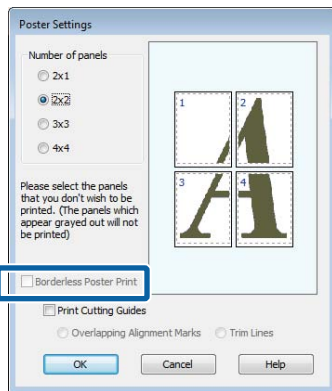
“Supported Media Sizes for Borderless Printing” on page 92

“Epson Special Media Table” on page 187

If **Single Cut** or **Double Cut** is selected for **Auto Cut**, the paper will be cut 1 or 2 mm inside the image, resulting in imperfect joins.

## More Ways to Print

**When with margins is selected:**  
Clear **Borderless Poster Print**.



**Note:**

Regarding the size after joining together:

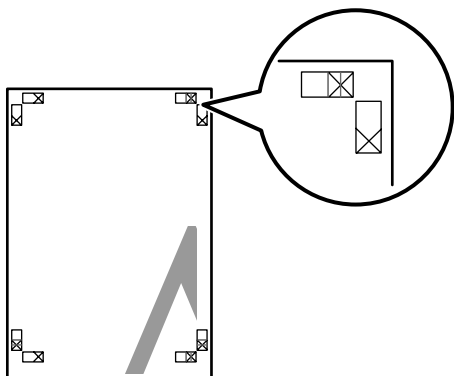
If **Borderless Poster Print** is not selected, a **Print Cutting Guides** option will be displayed.

The finished size is the same whether or not **Trim Lines** is selected. However, if **Overlapping Alignment Marks** is selected, the finished size is smaller with an overlap.

4 Check other settings, and then start printing.

### Joining Poster Sheets with Printed Borders

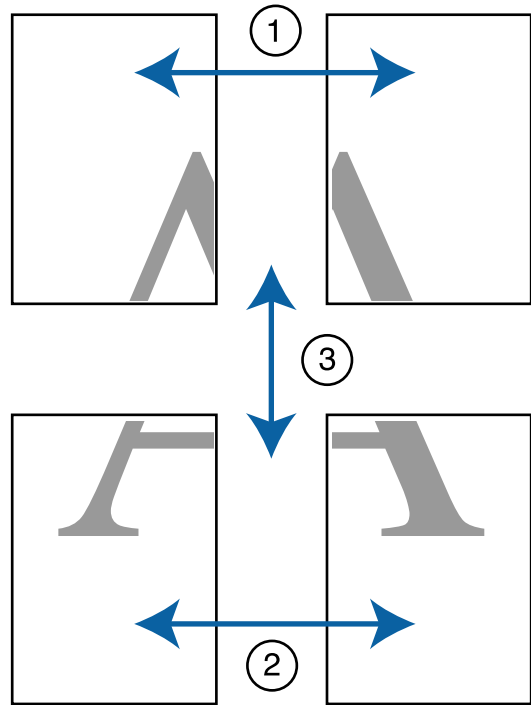
If **Overlapping Alignment Marks** is selected, join guides (indicated by the lines drawn through and around the X marks in the illustration below) will be printed on each sheet.



**Note:**

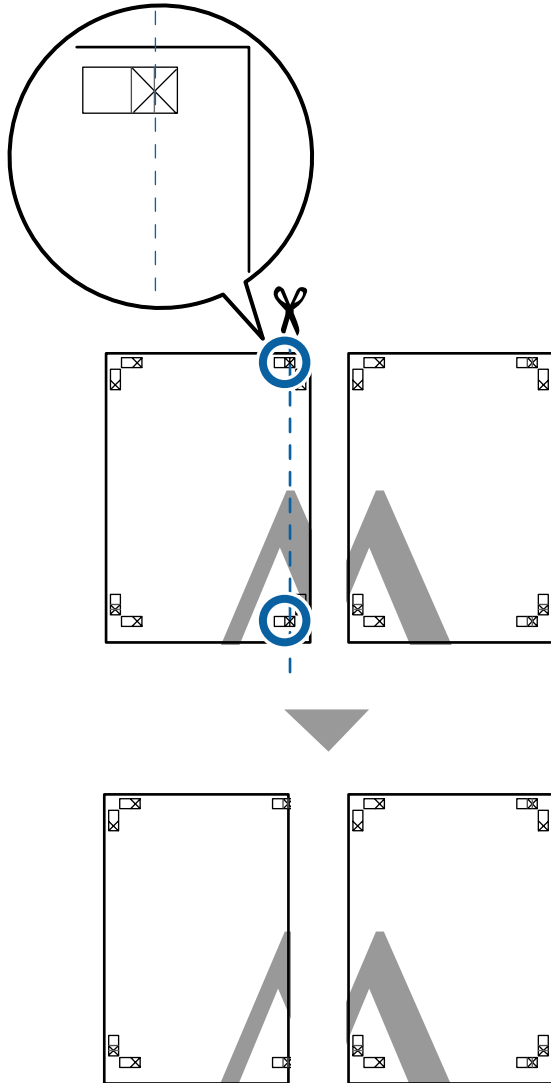
If the output is in color, the join guides will be in blue and the cut guides in red; otherwise, all the guides will be printed in black.

The following section describes how to join four printed pages together.

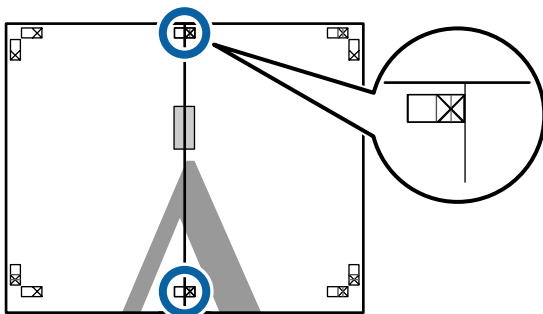


**More Ways to Print**

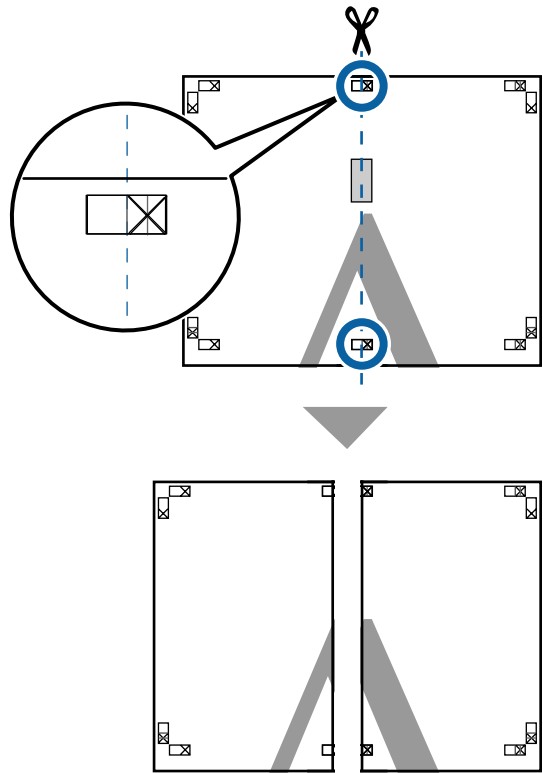
- 1 Ready the two top sheets and trim the excess from the left sheet by cutting along the line joining the two join guides (the centers of the X marks).



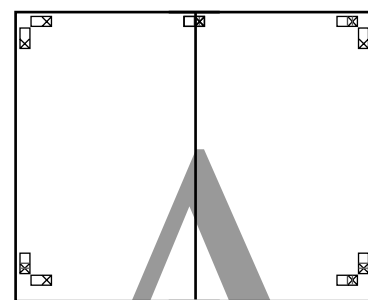
- 2 Lay the upper left sheet on top of upper right sheet. Lineup the X marks as shown in the illustration below, and temporarily fasten them using an adhesive tape on the back.



- 3 With the two sheets overlapping, trim the excess by cutting along the line joining the two cut guides (the lines to the left of the X marks).



- 4 Rejoin the two sheets.  
Use an adhesive tape to stick the backs of the sheets together.

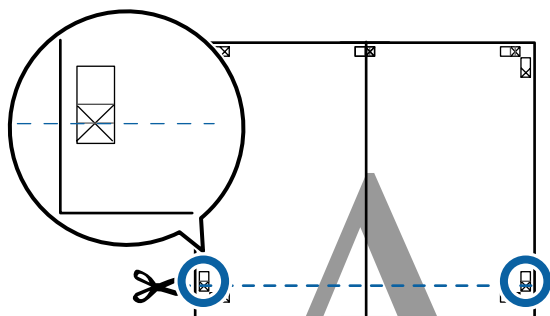


- 5 Repeat Steps 1 to 4 for the lower sheets.

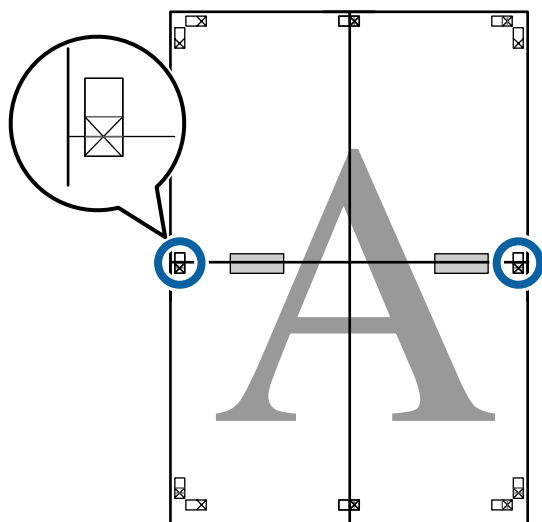


More Ways to Print

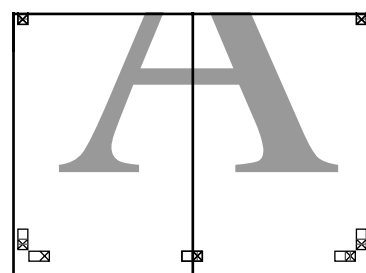
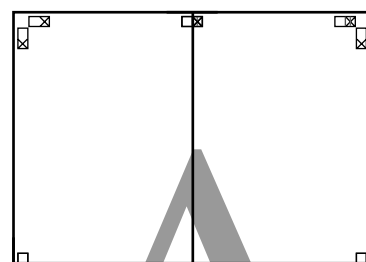
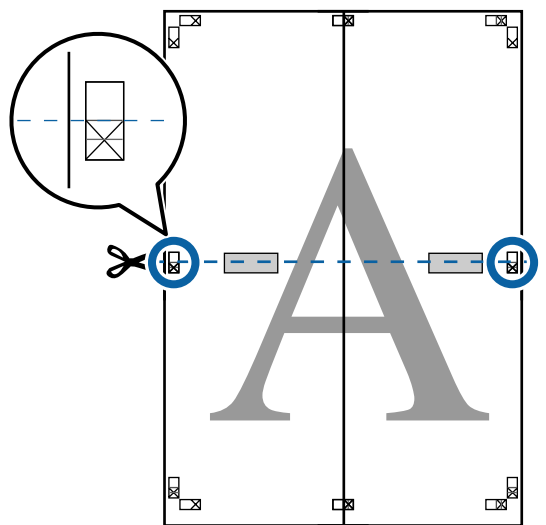
- 6 Trim the bottom from the upper sheets by cutting along the line joining the two guides (the lines above the X marks).



- 7 Lay the upper sheet on top of the lower sheet. Lineup the X marks as shown in the illustration below, and temporarily fasten them using an adhesive tape on the back.



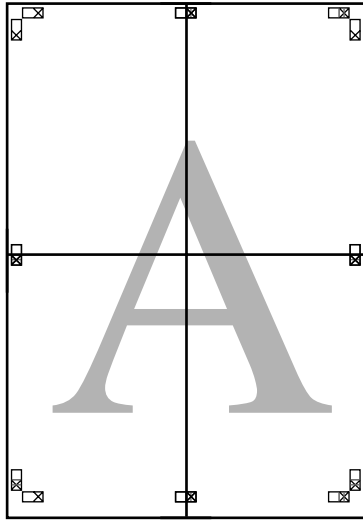
- 8 With the two sheets overlapping, trim the excess by cutting along the line joining the two cut guides (the lines above the X marks).



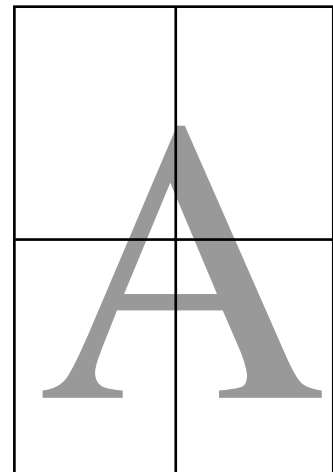
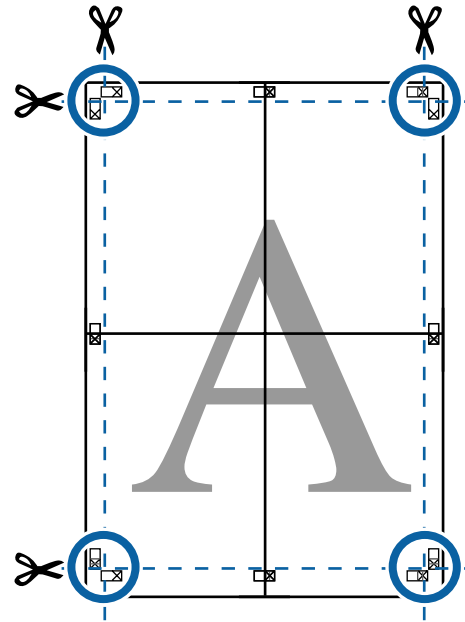
- 9 Join the upper and lower sheets together.

### More Ways to Print

Use an adhesive tape to stick the backs of the sheets together.



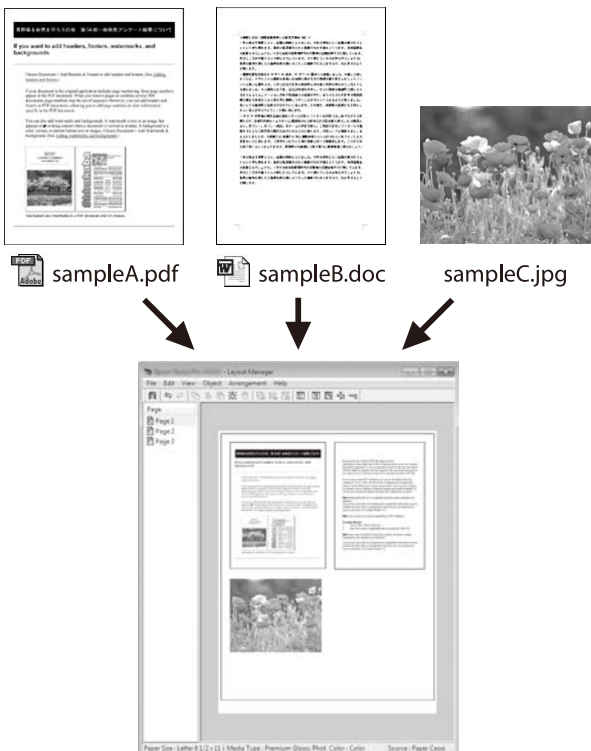
10 After joining all the sheets, trim off the borders by cutting along the cut guides (outside the X marks).



## Printing Multiple Documents (the Layout Manager) (Windows Only)

Documents created in different applications can be printed together in your choice of layout. The Layout Manager can be used to improve efficiency and conserve paper.

### Sample Multi-Document Layout



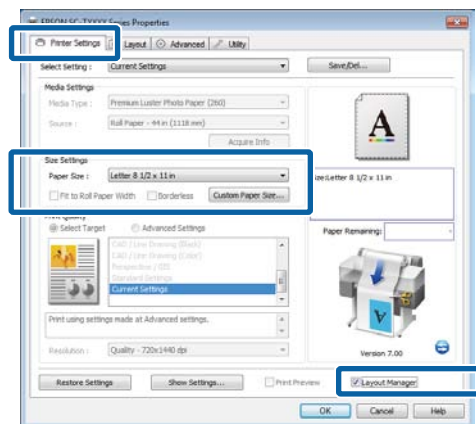
### Sample Free Vertical/Horizontal Layout



## Setting Procedures for Printing

- 1 Open the file you want to print in your application.
- 2 In the printer driver's Printer Settings tab, select **Layout Manager** and in the **Size Settings** area select the **Paper Size** chosen for the document in the source application.

➤ “Basic Printing Methods (Windows)” on page 57



#### Note:

The **Paper Size** is the size of the document in the Layout Manager. The actual printing paper size is set in the screen in Step 6.

- 3 Click **OK**. When printing with an application, the Layout Manager screen opens.

The print data is not printed, but one page is placed on the paper of the Layout Manager screen as one object.

- 4 Leaving the Layout Manager screen open, repeat Steps 1 to 3 until all the documents have been added to the layout.

The objects are added to the Layout Manager screen.

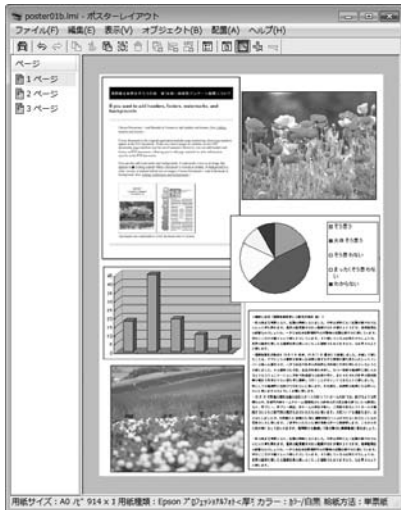
- 5 Arrange the objects on the Layout Manager screen.

Objects can be dragged to new positions and resized; in addition, they can be rearranged or rotated using the options in the **Object** menu.

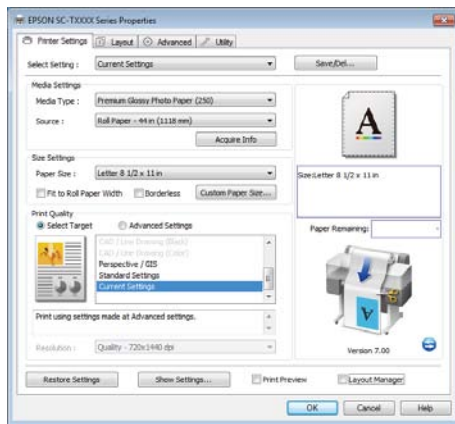
## More Ways to Print

The overall size and placement of the objects can be changed using the **Preferences** and **Arrangement** options in the **File** menu.

See the Layout Manager screen help for more details on each function.



- 6 Click **Properties** in the **File** menu and adjust printer settings in the printer driver dialog.



Check the **Media Settings** and choose a **Print Quality**.

- 7 Click the **File** menu on the Layout Manager screen, and then click **Print**.

Printing starts.


## Saving and Recalling Settings

You can save the Layout Manager screen arrangement and setting contents to a file. If you need to close your application in the middle of a job, you can save it to a file and then open it later to continue your work.

## Saving

- 1 On the Layout Manager screen, click **File** menu and then **Save As**.
- 2 Enter the file name, select the location, and then click **Save**.
- 3 Close the Layout Manager screen.

## Opening saved files

- 1 Right-click the Utility shortcut icon on the Windows Taskbar () , and then click **Layout Manager** on the menu displayed.

The Layout Manager screen is displayed.

If the Utility shortcut icon is not displayed on the Windows Taskbar

 [“Overview of the Utility Tab” on page 119](#)

- 2 On the Layout Manager screen, click **File** menu and then **Open**.
- 3 Select the location and open the required file.

# Color Management Printing

## About Color Management

Even when using the same image data, the original image and the displayed image may look different, and the printed results may look different to the image you see on the display. This occurs due to the difference in characteristics when input devices such as scanners and digital cameras capture colors as electronic data, and when output devices such as display screens and printers reproduce colors from the color data. The color management system is a means to adjust differences in color conversion characteristics among input and output devices. A color management system is included with operating systems such as Windows and Mac OS, in addition to image processing applications. Windows and Mac OS X include the ICM and ColorSync color management systems, respectively.

In a color management system, a color definition file called a "Profile" is used to perform color matching between devices. (This file is also called an ICC profile.) The profile of an input device is called an input profile (or source profile), and the profile of an output device, such as a printer, is called a printer profile (or output profile). A profile is prepared for each media type in this printer's driver.

The color conversion areas by the input device and the color reproduction area by the output device differ. As a result, there are color areas that do not match even when performing color matching using a profile. In addition to specifying profiles, the color management system also specifies conversion conditions for areas where color matching failed as "intent". The name and type of intent vary depending on the color management system you are using.

You cannot match the colors on the printed results and display by color management between the input device and the printer. To match both colors, you need to perform color management between the input device and the display as well.

## Color Management Print Settings

You can perform color management printing using this printer's printer driver in the following two ways.

Choose the best method according to the application you are using, the operating system environment, the aim of the print out, and so on.

### Setting color management with the applications

This method is for printing from applications that support color management. All color management processes are carried out by the application's color management system. This method is useful when you want to obtain the same color management print results using a common application among different operating system environments.

[👉 "Setting color management with the applications" on page 110](#)

### Setting color management with the printer driver

The printer driver uses the operating system's color management system and carries out all color management processes. You can make color management settings in the printer driver using the following two methods.

#### Host ICM (Windows) / ColorSync (Mac OS X)

Set when printing from applications that support color management. This is effective in producing similar print results from different applications under the same operating systems.

[👉 "Color management printing by Host ICM \(Windows\)" on page 111](#)

[👉 "Color management printing by ColorSync \(Mac OS X\)" on page 112](#)

#### Driver ICM (Windows only)

This allows you to perform color management printing from applications that do not support color management.

[👉 "Color management printing by Driver ICM \(Windows Only\)" on page 113](#)

## Color Management Printing

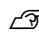
## Setting profiles


Settings for the input profile, printer profile, and intent (matching method) vary between three types of color management printing since their color management engines are used differently. This is because color management usage differs between the engines. Make settings in the printer driver or application as described in the following table.

	Input profile settings	Printer profile settings	Intent settings
Driver ICM (Windows)	Printer Driver	Printer Driver	Printer Driver
Host ICM (Windows)	Application	Printer Driver	Printer Driver
ColorSync (Mac OS X)	Application	Printer Driver	Application
Application	Application	Application	Application

Printer profiles for each paper type that is needed when performing color management are installed with the printer's printer driver. You can select the profile from the printer driver's settings screen.

See the following for detailed information.

 “Color management printing by Driver ICM (Windows Only)” on page 113

 “Color management printing by Host ICM (Windows)” on page 111

 “Color management printing by ColorSync (Mac OS X)” on page 112

 “Setting color management with the applications” on page 110

## Setting color management with the applications

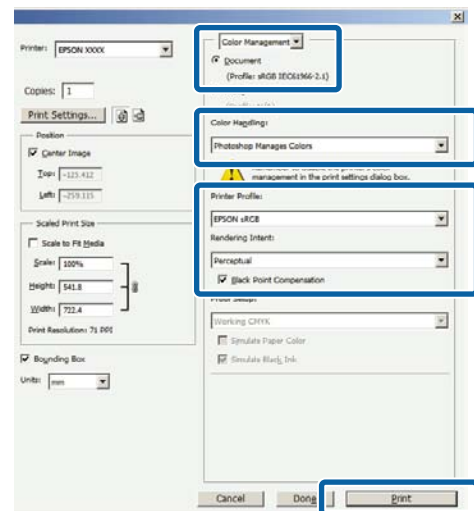
Print using applications with a color management function. Make the color management settings in the application and disable the printer driver's color adjustment function.

- 1 Make color management settings in the applications.

Example using Adobe Photoshop CS5

Open the Print screen.

Select **Color Management** and then **Document**. Select **Photoshop Manages Colors** as the **Color Handling** setting, select the **Printer Profile** and the **Rendering Intent**, and then click **Print**.



- 2 Display the printer driver's settings screen (Windows) or Print screen (Mac OS X).

Make printer driver settings.

### For Windows

 “Basic Printing Methods (Windows)” on page 57

### For Mac OS X

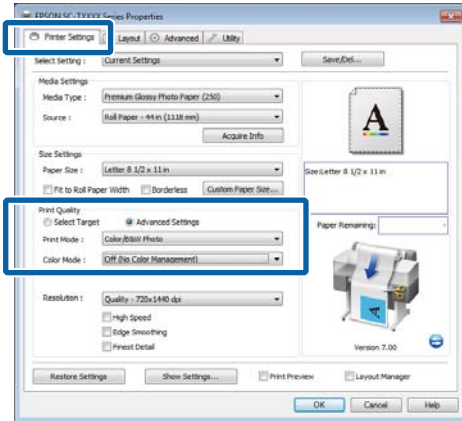
 “Basic Printing Methods (Mac OS X)” on page 60

- 3 Set color management to off.

## Color Management Printing

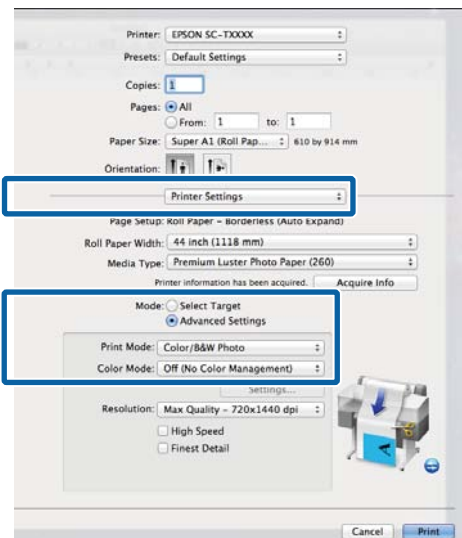
### For Windows

In the Printer Settings tab, select **Advanced Settings** in the **Print Quality** area and choose **Off (No Color Management)** for **Color Mode**.



### For Mac OS X

Choose **Printer Settings** from the list and select **Advanced Settings** for **Mode**. Select **Off (No Color Management)** for **Color Mode**.



4 Check other settings, and then start printing.

## Setting color management with the printer driver

### Color management printing by Host ICM (Windows)

Use image data in which an input profile has been embedded. Also, the application must support ICM.

1 Make the settings for color adjustment using the application.

Depending on the type of the application, make the settings following the table below.

Adobe Photoshop CS3 or later  
 Adobe Photoshop Elements 6 or later  
 Adobe Photoshop Lightroom 1 or later

OS	Color Management Settings
Windows 8.1, Windows 8, Windows 7, Windows Vista	Printer Manages Colors
Windows XP (Service Pack 2 or later and .NET 3.0 or later)	
Windows XP (other than the above)	No Color Management

In other applications, set **No Color Management**.

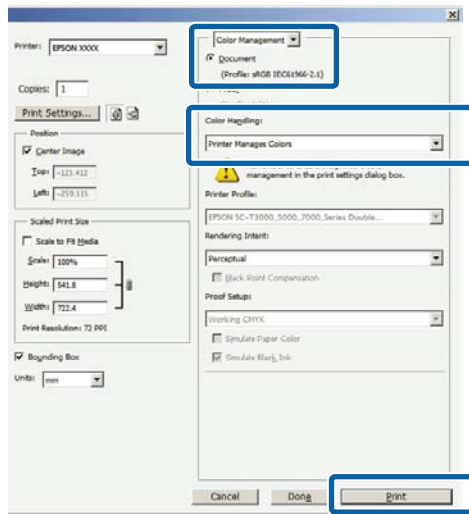
**Note:**  
 For information on supported platforms, see the website for the application in question.

Example using Adobe Photoshop CS5

Open the Print screen.

## Color Management Printing

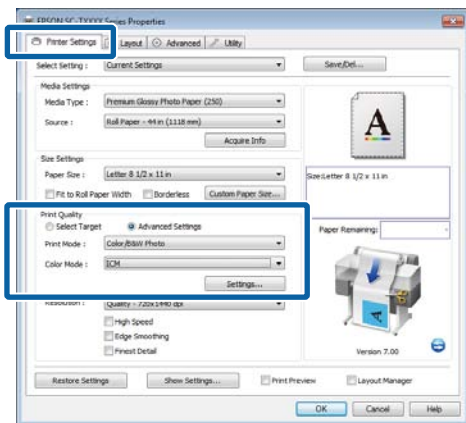
Select **Color Management** and then **Document**. Select **Printer Manages Colors** as the **Color Handling** setting, and then click **Print**.



When using applications without a color management function, start from Step 2.

2 In the printer driver's Printer Settings tab, select **Advanced Settings** for **Print Quality**, then select **ICM** for **Color Mode** and click **Settings**.

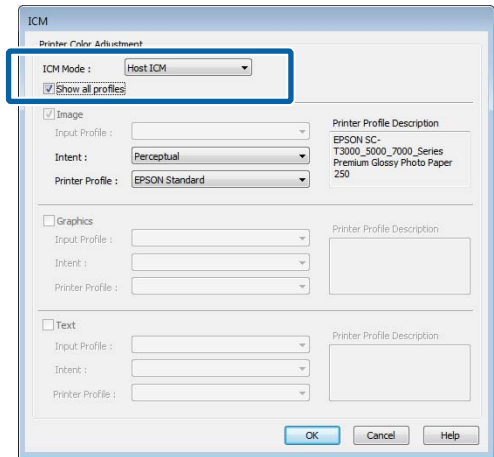
🔗 “Basic Printing Methods (Windows)” on page 57



3 Select **Host ICM**.

When Epson special media is selected for **Media Type** in the Printer Settings tab, the printer profile corresponding to the media type is automatically selected and displayed in the **Printer Profile Description** box.

To change the profile, select **Show all profiles** at the bottom.



4 Check other settings, and then start printing.

## Color management printing by ColorSync (Mac OS X)

Use image data in which an input profile has been embedded. Also, the application must support ColorSync.

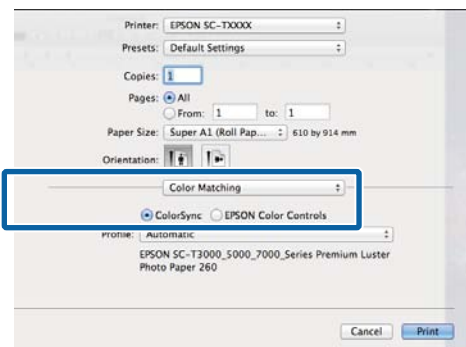
**Note:**  
Depending on the application, color management printing by **ColorSync** may not be supported.

1 Disable the color management functions in the application.

2 Display the Print screen.

🔗 “Basic Printing Methods (Mac OS X)” on page 60

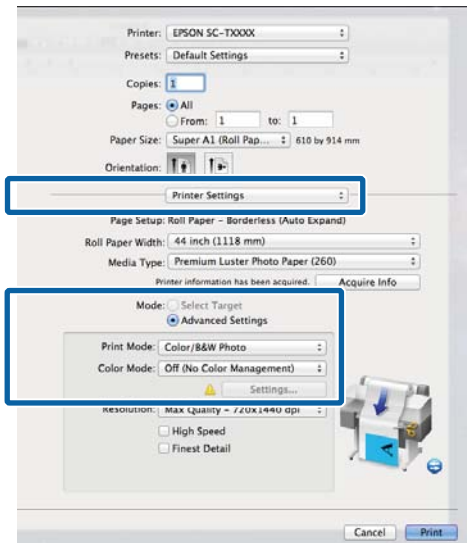
3 Select **Color Matching** from the list, and then click **ColorSync**.





## Color Management Printing

- 4 Choose **Printer Settings** from the list and select **Advanced Settings** for **Mode**. Select **Off (No Color Management)** for **Color Mode**.



- 5 Check other settings, and then start printing.

### Color management printing by Driver ICM (Windows Only)

The printer driver uses its own printer profiles to perform color management. You can use the following two color correction methods.

- Driver ICM (Basic)

Specify one type of profile and intent for processing the entire image data.

- Driver ICM (Advanced)

The printer driver distinguishes the image data into the **Image**, **Graphics**, and **Text** areas. Specify three types of profiles and intents for processing each area.

#### When using applications featuring a color management function

Make the settings for color processing using the application before making printer driver settings.

Depending on the type of the application, make the settings following the table below.

Adobe Photoshop CS3 or later  
 Adobe Photoshop Elements 6 or later  
 Adobe Photoshop Lightroom 1 or later

OS	Color Management Settings
Windows 8.1, Windows 8, Windows 7, Windows Vista	Printer Manages Colors
Windows XP (Service Pack 2 or later and .NET 3.0 or later)	Printer Manages Colors
Windows XP (other than the above)	No Color Management

In other applications, set **No Color Management**.

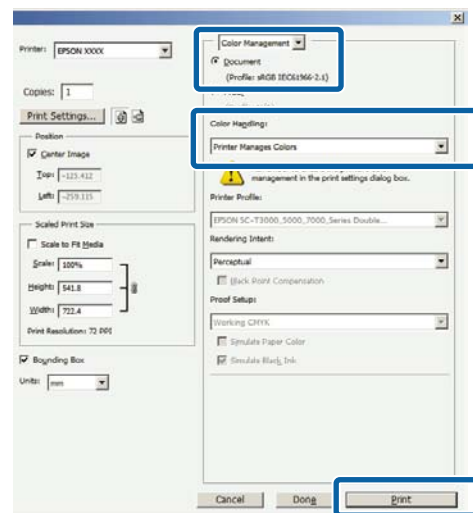
**Note:**

For information on supported platforms, see the website for the application in question.

Example using Adobe Photoshop CS5

Open the Print screen.

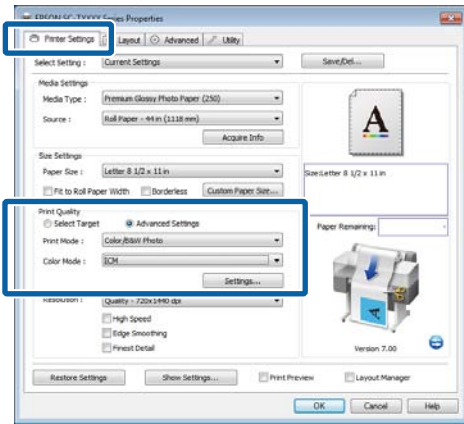
Select **Color Management** and then **Document**. Select **Printer Manages Colors** as the **Color Handling** setting, and then click **Print**.



- 1 In the printer driver's Printer Settings tab, select **Advanced Settings** for **Print Quality**, then select **ICM** for **Color Mode** and click **Settings**.

## Color Management Printing

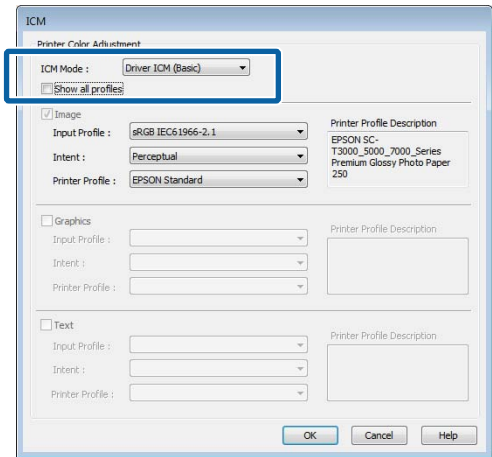
☞ “Basic Printing Methods (Windows)” on page 57



- From **ICM Mode** in the ICM screen, select **Driver ICM (Basic)** or **Driver ICM (Advanced)**.

If you select **Driver ICM (Advanced)**, you can specify the profiles and intent for each image such as photos, graphics, and text data.

Intent	Explanation
Saturation	Keeps the current saturation unchanged and converts the data.
Perceptual	Converts the data so that a more visually natural image is produced. This feature is used when a wider gamut of color is used for image data.
Relative Colorimetric	Converts the data so that a set of color gamut and white point (or color temperature) coordinates in the original data match their corresponding print coordinates. This feature is used for many types of color matching.
Absolute Colorimetric	Assigns absolute color gamut coordinates to the original and print data and converts the data. Therefore, color tone adjustment is not performed on any white point (or color temperature) for the original or print data. This feature is used for special purposes such as logo color printing.



- Check other settings, and then start printing.

## Tips for Using the Printer Driver (Windows)

# Tips for Using the Printer Driver (Windows)

## Displaying the Settings Screen

You can access the printer driver in the following ways:

- From Windows applications

 “Basic Printing Methods (Windows)” on page 57

- With the Start button

## With the Start button

Follow the steps below when specifying common settings among applications or performing printer maintenance, such as Nozzle Check or Head Cleaning.

- 1 Open the **Printer** or **Printers and Faxes** folder.

**For Windows 7 / Windows 8.1/ Windows 8**  
Click in the following order: **Start** (or **Settings**) > **Control Panel** > **Hardware and Sound** (or **Hardware**) > **Devices and Printers**.

### For Windows Vista

Click , **Control Panel**, **Hardware and Sound**, and then **Printer**.

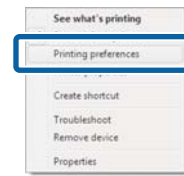
### For Windows XP

Click **Start**, **Control Panel**, **Printers and Other Hardware**, and then **Printers and Faxes**.

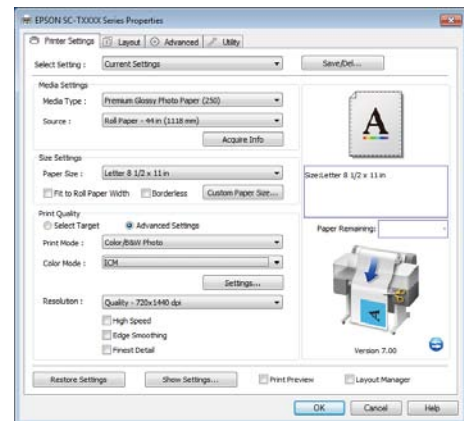
#### Note:

*If your Windows XP Control Panel is in **Classic View**, click **Start**, **Control Panel**, and then **Printers and Faxes**.*

- 2 Right-click your printer icon, and click **Printing preferences**.



The printer driver dialog will be displayed.



Make the necessary settings. These settings become the default settings of the printer driver.

## Tips for Using the Printer Driver (Windows)

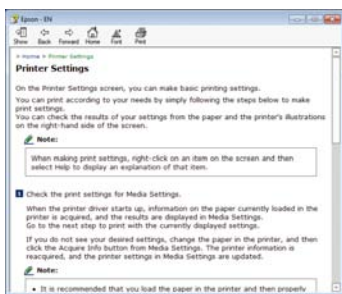
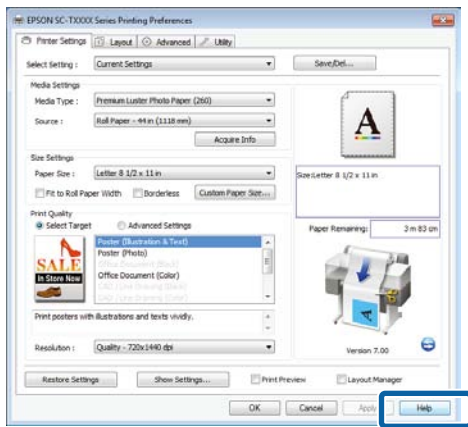
### Displaying Help

You can access the printer driver help in the following ways:

- Click **Help**
- Right-click on the item you want to check and display

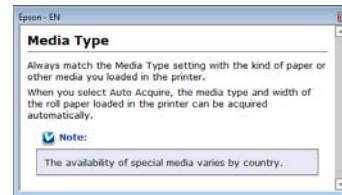
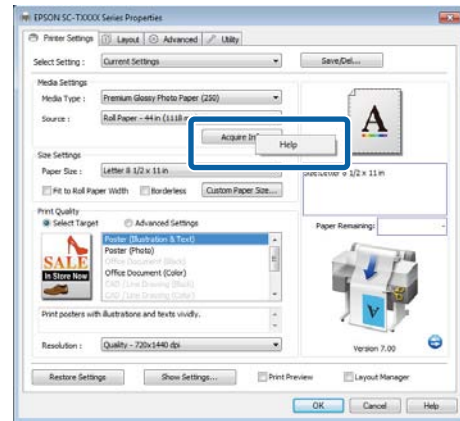
### Click the Help Button to Display

By displaying **Help**, you can use the contents page or keyword search to read the help.



### Right-click on the item you want to check and display

Right-click the item, and then click **Help**.



**Note:**

In Windows XP, click **?** on the title bar, and then click the help item you want to view.

## Tips for Using the Printer Driver (Windows)

# Customizing the Printer Driver

You can save the settings or change the display items as you prefer.

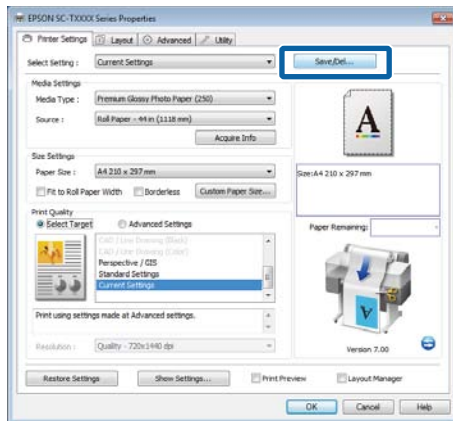
## Saving various settings as your Select Settings

All printer driver settings can be saved to **Select Setting**. In addition, **Select Setting** contains pre-defined settings recommended for a variety of common situations.

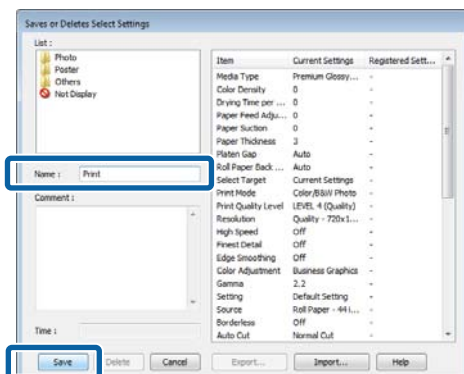
Recall **Select Setting** to increase efficiency if you often print at the same settings.

1 In the Printer Settings, Layout, and Advanced tabs, select the settings you wish to save to **Select Setting**.

2 Click **Save/Del.**



3 Enter any name in the **Name** box, and then click **Save**.



You can save up to 100 settings. You can choose a setting you have registered from the **Select Setting** list box.

**Note:**

You can save the settings as a file by clicking **Export**. You can share the settings by clicking **Import** to import the saved file on another computer.

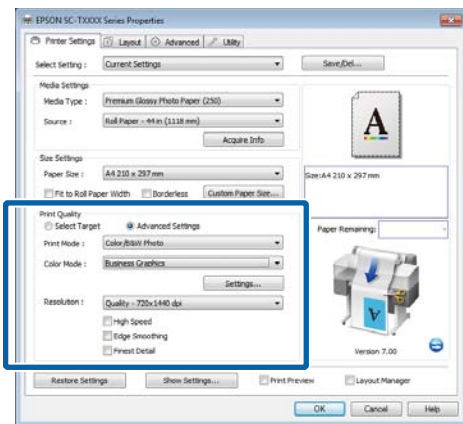
## Adding Media Types

Select **Print Quality** and **Media Settings** for the type of media you wish to add and save it as a custom media type. The custom media type will be added to the Media Type menu in the **Media Settings** area.

1 In the Printer Settings tab, select **Advanced Settings** and adjust settings as desired.

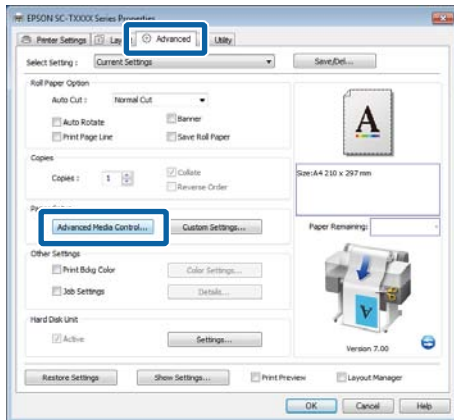
**Note:**

You can not add a custom media type if **Select Target** is selected in the **Print Quality** area.

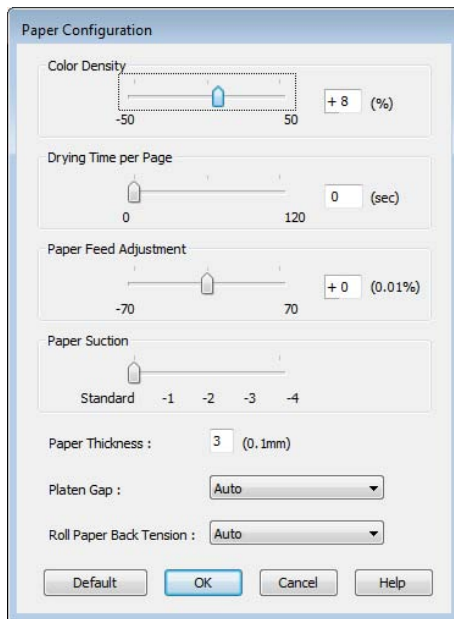


## Tips for Using the Printer Driver (Windows)

- 2 Click **Advanced Media Control** in the Advanced tab.

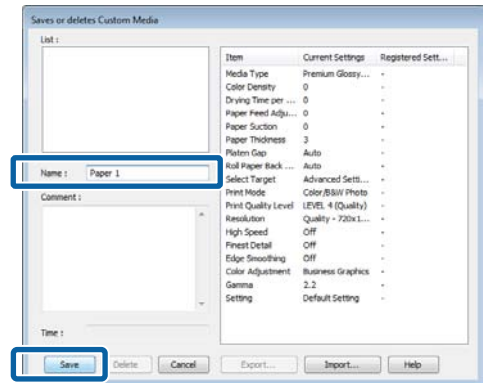


- 3 Adjust settings for the new custom media and click **OK**.



- 4 Click **Custom Settings** in the Advanced tab.

- 5 Enter any name in the **Name** box, and then click **Save**.



You can save up to 100 settings. You can choose a setting you have registered from the **Media Type** list box.

**Note:**

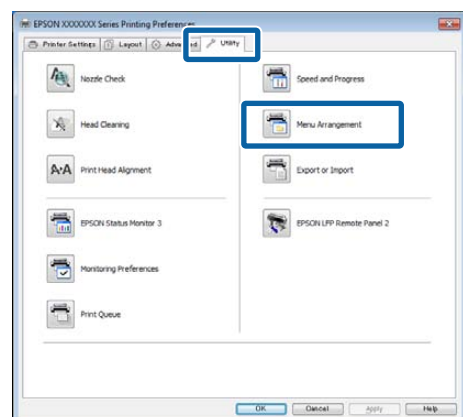
You can save the settings as a file by clicking **Export**. You can share the settings by clicking **Import** to import the saved file on another computer.

## Rearranging display items

To display frequently used items right away, you can arrange **Select Setting**, **Media Type**, and **Paper Size** as follows.

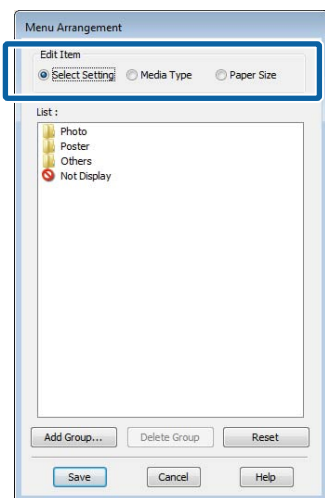
- Hide unnecessary items.
- Rearrange in an order of most frequent use.
- Arrange in groups (folders).

- 1 Go to the **Utility** tab and click **Menu Arrangement**.



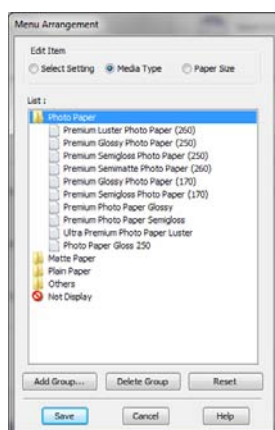
## Tips for Using the Printer Driver (Windows)

### 2 Select Edit Item.



### 3 Order or group items in the List box.

- You can move and order items by dragging and dropping.
- To add a new group (folder), click **Add Group**.
- To delete a group (folder), click **Delete Group**.
- Drag and drop unnecessary items to **Not Display**.



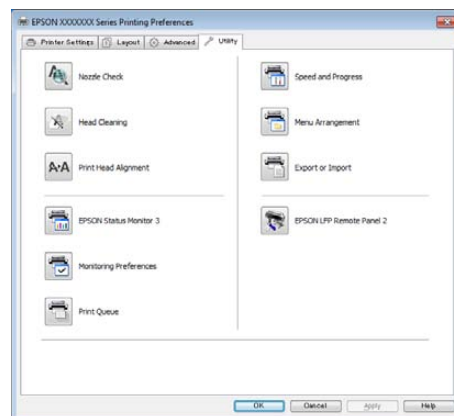
**Note:**

When **Delete Group** is performed, the group (folder) is deleted, however the items in the deleted group (folder) remain.

### 4 Click Save.

## Overview of the Utility Tab

The printer driver's Utility tab provides access to the following.



#### Nozzle Check

This function prints a nozzle check pattern to check if the print head nozzles are clogged. If you see banding or gaps in the print outs, perform head cleaning to clear any clogged nozzles.

[“Cleaning the print head” on page 157](#)

#### Head Cleaning

If you see banding or gaps in the print outs, perform head cleaning. Cleans the surface of the print head to improve the print quality.

[“Cleaning the print head” on page 157](#)

#### Print Head Alignment

If the print results appear grainy or out of focus, perform Print Head Alignment. The Print Head Alignment function corrects print head gaps.

[“Minimizing Print Misalignments \(Head Alignment\)” on page 158](#)

#### EPSON Status Monitor 3

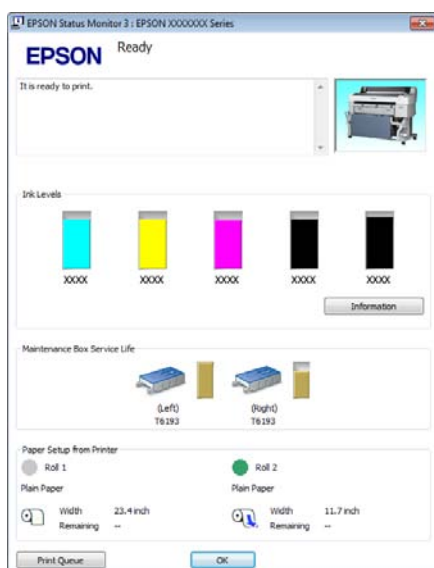
You can check the printer's status, such as the remaining ink level and error messages, on the computer's screen. When roll paper is loaded on Roll 1 or Roll 2 of the T7270D/T5270D, you can also check which is selected as the active roll.

## Tips for Using the Printer Driver (Windows)

### T7270/T5270/T3270 Series



### T7270D/T5270D



#### Monitoring Preferences

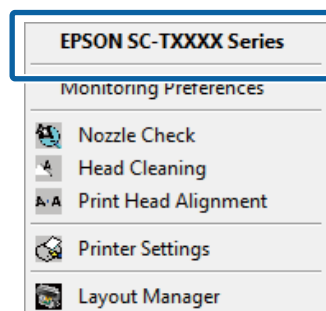
You can select the error notifications displayed on the EPSON Status Monitor 3 screen, or register a shortcut for the Utility icon to the Taskbar.

#### Note:

If you select the **Shortcut Icon** on the Monitoring Preferences screen, the Utility shortcut icon is displayed on the Windows Taskbar.

By right-clicking the icon, you can display the following menu and perform maintenance functions.

EPSON Status Monitor 3 starts when the printer name is clicked from the displayed menu.



#### Print Queue

You can display the list of all waiting jobs.

On the Print Queue screen, you can view information on the data waiting to be printed, delete and reprint these jobs.

#### Speed and Progress

You can set various functions for printer driver basic operations.

#### Menu Arrangement

You can arrange the display items of **Select Setting**, **Media Type**, and **Paper Size**. For example, you can reorder them by frequency of access. [☞ “Rearranging display items” on page 118](#)

#### Export or Import

You can export or import the printer driver settings. This function is useful when you want to make the same printer driver settings on multiple computers.

#### EPSON LFP Remote Panel 2

You can configure custom paper settings and other settings. See the EPSON LFP Remote Panel 2 help for details.

#### Note:

If **EPSON LFP Remote Panel 2** is grayed out, EPSON LFP Remote Panel 2 is not installed. Install EPSON LFP Remote Panel 2 from the Software List in the Software disc.



## Tips for Using the Printer Driver (Windows)

# Uninstalling the printer driver

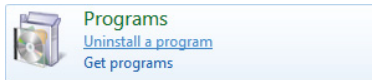
Follow the steps below to remove the printer driver and EPSON LFP Remote Panel 2.



**Important:**

- ❑ You must log in with an Administrators group.
- ❑ In Windows 7/Windows Vista, if an Administrator password or confirmation is requested, enter the password and then continue with the operation.

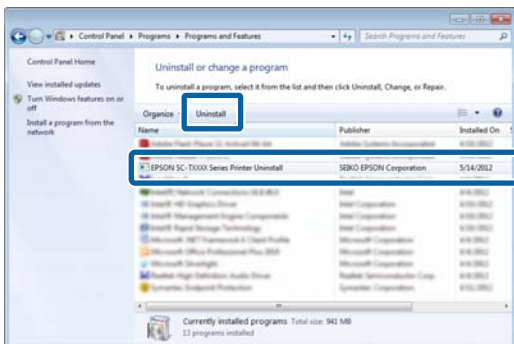
- 1 Turn off the printer, and unplug the interface cable.
- 2 Go to the **Control Panel** and click **Uninstall a program** from the **Programs** category.



- 3 Select the software you want to remove and then click **Uninstall/Change** (or **Change/Remove/Add or remove**).

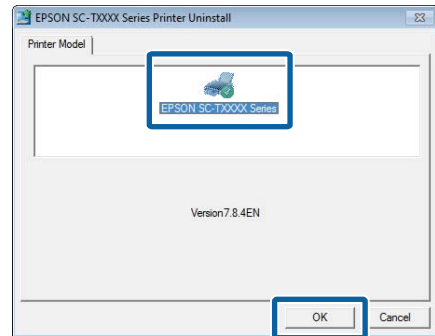
You can remove **EPSON Status Monitor 3** and the printer driver by selecting **EPSON SC-XXXXX Printer Uninstall**.

Select **EPSON LFP Remote Panel 2** to remove EPSON LFP Remote Panel 2.



4

Select the target printer icon, and then click **OK**.



5

Follow the on-screen instructions to continue.

When the delete confirmation message appears, click **Yes**.

Restart the computer if you are reinstalling the printer driver.

## Tips for Using the Printer Driver (Mac OS X)


# Tips for Using the Printer Driver (Mac OS X)

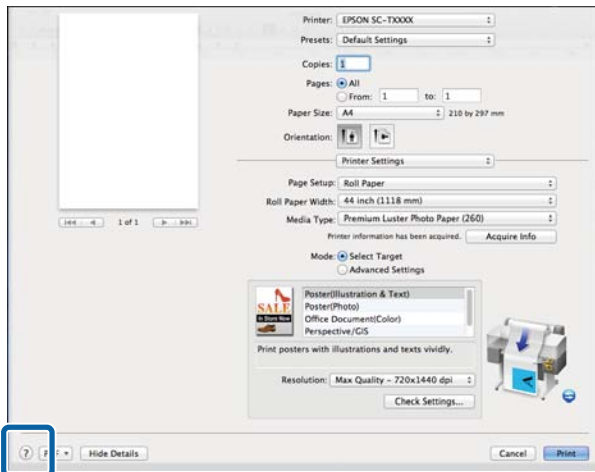
## Displaying the Settings Screen

The display method of the printer driver setting screen may differ depending on the application or the OS version.

☞ “Basic Printing Methods (Mac OS X)” on page 60

## Displaying Help

Click  in the printer driver setting screen to display Help.



# Using Epson Printer Utility 4

You can perform maintenance tasks such as Nozzle Check or Head Cleaning by using Epson Printer Utility 4. This utility is installed automatically when you install the printer driver.

## Starting Epson Printer Utility 4

### Mac OS X 10.6.x or later

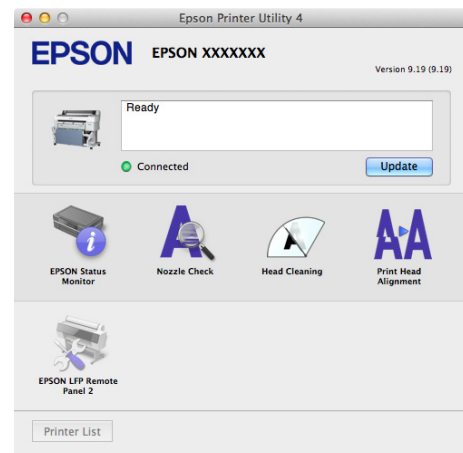
- 1 Select **System Preferences > Print & Scan** (or **Print & Fax**) from the **Apple** menu.
- 2 Select the printer and click **Options & Supplies > Utility > Open Printer Utility**.

### Mac OS X 10.5.8

- 1 Select **System Preferences > Print & Fax** from the **Apple** menu.
- 2 Select the printer and click **Open Print Queue > Utility**.

## Epson Printer Utility 4 Functions

You can perform the following maintenance functions from Epson Printer Utility 4.

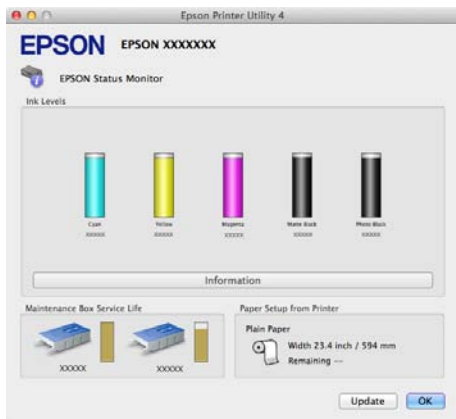


## Tips for Using the Printer Driver (Mac OS X)

### EPSON Status Monitor

You can check the printer's status, such as the remaining ink level and error messages, on the computer's screen. When roll paper is loaded on Roll 1 or Roll 2 of the T7270D/T5270D, you can also check which is selected as the active roll.

T7270/T5270/T3270



T7270D/T5270D



### Nozzle Check

This function prints a nozzle check pattern to check if the print head nozzles are clogged. If you see banding or gaps in the print outs, perform head cleaning to clear any clogged nozzles.

[“Cleaning the print head” on page 157](#)

### Head Cleaning

If you see banding or gaps in the print outs, perform head cleaning. This function cleans the surface of the print head to improve the print quality.

[“Cleaning the print head” on page 157](#)

### Print Head Alignment

If the print results appear grainy or out of focus, perform Print Head Alignment. The Print Head Alignment function corrects print head gaps.

[“Minimizing Print Misalignments \(Head Alignment\)” on page 158](#)

### EPSON LFP Remote Panel 2

You can configure custom paper settings and other settings. See the EPSON LFP Remote Panel 2 help for details.

## Uninstalling the printer driver

Before reinstalling or upgrading the printer driver or EPSON LFP Remote Panel 2, uninstall the affected software.

Use the Uninstaller to uninstall the printer driver.

### Downloading the Uninstaller

Download the Uninstaller from the Epson website.

<http://www.epson.com/>

### Using the Uninstaller

Follow the instructions on the Epson website.

---

## Removing EPSON LFP Remote Panel 2

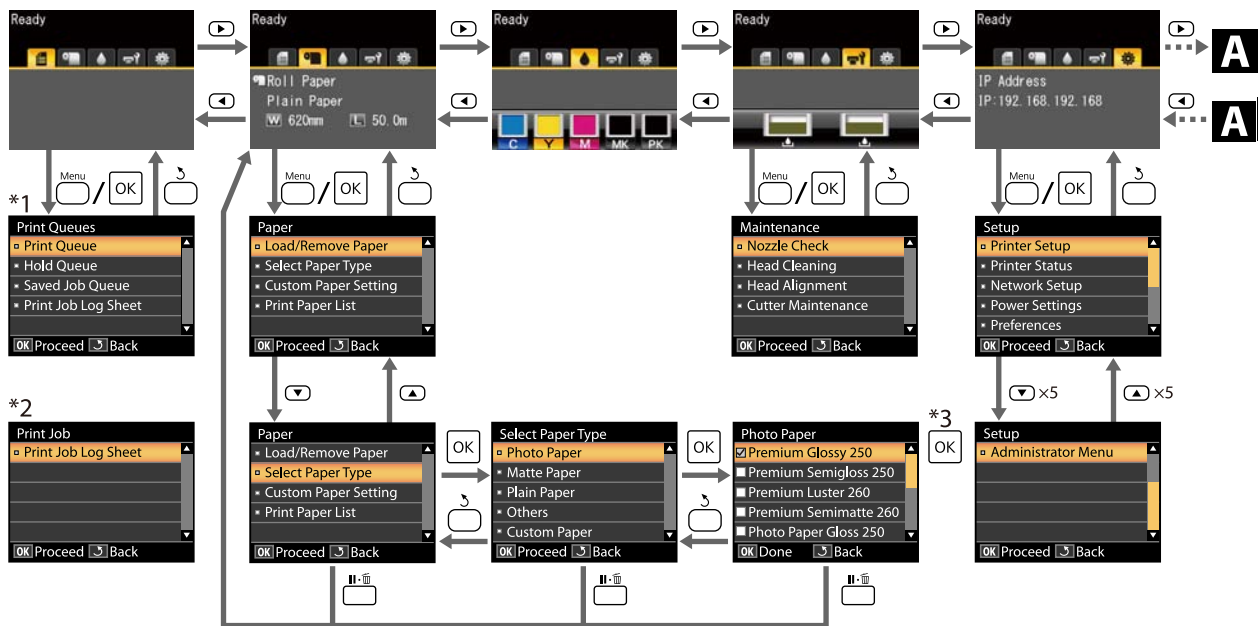
Drag and drop the **EPSON Remote Panel 2** folder from the **Applications** folder into the **Trash**.

# Using the Control Panel Menu

## Menu Operations

The steps for displaying the various menus are shown below.

The example below shows the steps for accessing the Paper menu.

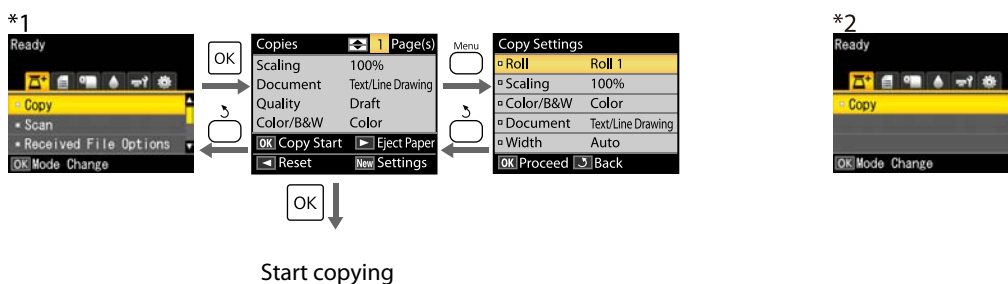


\*1 Available when the optional hard disk unit or Adobe PostScript 3 Expansion Unit has been connected

\*2 Standard menu (when the hard disk unit or Adobe PostScript 3 Expansion Unit has not been connected)

\*3 After pressing the OK button to select the highlighted option, press the ↵ button to return to the previous menu. Press the ⏏ button to exit.

**A** When the optional Multifunction Scanner is connected



## Using the Control Panel Menu

# Menu List

The items and options available in the menu are described below. See the reference pages for more details on each item.

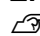
\*1. T7270D/T5270D only

\*2. T7270/T5270/T3270 only

\*3. When the optional hard disk unit or Adobe PostScript 3 Expansion Unit has been connected only

\*4. When the optional Adobe PostScript 3 Expansion Unit has been connected only

## Print Queues menu

 [“Print Queues menu” on page 132](#)

Menu item		Description
Print Queue <sup>*3</sup>	XXXXXXXXXX (name of waiting print job)	Lists the Waiting Job Name, User, Estimated Start Time, Estimated Print Time, and Printing Availability.
Hold Queue <sup>*2,*3</sup>	Check Held Jobs      XXXXXXXXXXXX (name of paused job)	Lists the Paused Job Name, User, Paper Type, Source, Size, and Reason For Hold.
	Resume All Jobs	Press OK to start printing.
Saved Job Queue <sup>*3</sup>	XXXXXXXXXX (name of stored print job)	Lists the Stored Job Name, User, Length, Pages, Paper Type, Copies, Source, Size, and Estimated Print Time. Press OK to resume printing
Print Job Log Sheet		Press OK to start printing.

## Paper menu

 [“Paper menu” on page 134](#)


Menu item		Description
Load/Remove Paper	Remove Paper	Not displayed when no paper is loaded
	Roll Paper <sup>*2</sup>	Displays instructions for loading the paper.
	Roll 1 <sup>*1</sup>	
	Roll 2 <sup>*1</sup>	
	Cut Sheet (up to 0.8 mm thick)	
	Poster Board	
Select Paper Type	Plain Paper	Lists supported Epson media.
	Photo Paper	
	Matte Paper	
	Others	
	Custom Paper	Lists the names of user-defined custom paper types.

### Using the Control Panel Menu

Menu item		Description		
Custom Paper Setting	XXXXXXXXXXXX XXXXXXXXXX (name of custom paper type)	Select Reference Paper	Plain Paper	Lists supported Epson media.
			Photo Paper	
			Matte Paper	
			Others	
			No Paper Selected	No Paper Selected
		Platen Gap	Narrow, Standard, Wide, Wider	
		Detect Paper Thickness	Press OK to start printing.	
		Paper Feed Adjust	Pattern	Press OK to start printing.
			Value	-0.70 to +0.70%
		Paper Suction	-4 to 0	
		Roll Paper Tension	Normal, High, Extra High	
		Remove Skew	On, Off	
Setting Name	22 characters or less (letters, numbers, and symbols)			
Restore Settings	Yes, No			
Print Paper List		Press OK to start printing.		
Roll Paper Remaining		On, Off		
Remaining Alert		1 to 15 m		

#### Maintenance menu

 [“The Maintenance Menu” on page 138](#)

Menu item		Description
Nozzle Check		Press OK to start printing.
Head Cleaning		
Head Alignment	Auto(Uni-D)	Press OK to start printing/alignment.
	Auto(Bi-D)	
	Manual(Uni-D)	Press OK to start printing.
	Manual(Bi-D)	
Cutter Maintenance	Adjust Cut Position	-3 to 3 mm
	Replace Cutter	Press OK to start move.

## Using the Control Panel Menu

 Setup menu

 "Setup menu" on page 139

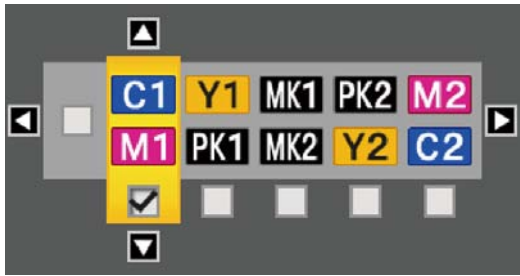
Menu item		Description			
Printer Setup	Roll Paper Setup	Auto Cut		On, Off	
		Cutting Mode		Normal, Silent	
		Refresh Margin		On, Off	
		Page Line		On, Off	
		Roll Paper Margin		Normal, Top15mm/Bottom15mm, Top 35 mm/Bottom 15 mm, Top 45 mm/Bottom 15 mm, 3mm,15mm	
		Roll End Option		Continue, Stop Printing, Reprint <sup>*3</sup>	
		Auto Loading <sup>*1</sup>		On, Off	
		Roll Switch Setting <sup>*1</sup>		Auto, Roll 1, Roll 2	
		Roll Switch Condition <sup>*1</sup>	Paper Type	Type Match, Disable	
			Paper Length	Print Length, Remaining Amount, Disable	
	Paper Width		Best Fit, Width Match, Disable		
	Print Job Priority <sup>*3</sup>		Roll In Use, In Order		
	Advanced Settings	Roll Paper Tension		1 to 5	
		Less Head Scuffing		On, Off	
		Drying Time Per Page		Off to 60 min	
		Paper Size Check		On, Off	
		Paper Skew Check		On, Off	
Store Held Job <sup>*3</sup>		On, Off			
USB Timeout		10 to 600 sec			



## Using the Control Panel Menu

Menu item		Description			
	HP-GL/2 Settings	Quality	Speed, Fine		
		Output Size	Auto, A Series, US-ANSI, US-ARCH, B Series, Photo Series, Others, User Defined		
		Margin	3mm, 5mm		
		Margin Options	Standard, Add Margins, Clip By Margins		
		Rotate	0°, 90°, 180°, 270°		
		Mirror	On, Off		
		Select Palette	Software, Default, Palette A, Palette B		
		Define Palette	Palette A	Pen Number	Pen Width, Pen Color
			Palette B	Pen Number	Pen Width, Pen Color
		Line Merge	On, Off		
	Reset HP-GL/2 Settings	Yes, No			
Restore Settings		Yes, No			
Option Setup <sup>*4</sup>	PS3 Expansion Unit	Version	PostScript Version, PDF Version		
		PS Status Sheet	Press OK to start printing.		
		Output Size	Auto, A Series, US-ANSI, US-ARCH, B Series, Photo Series, Others, User Defined		
		Quality	Speed, Normal, Fine		
		Color Mode	Color, Grayscale		
		Dot Correction	On, Off		
		CMYK Simulation	SWOP v2, US Web Uncoated v2, US Sheetfed Coated v2, US Sheetfed Uncoated v2, Coated GRACoL 2006, SWOP Grade 3 Paper, SWOP Grade 5 Paper, Coated FOGRA27, Web Coated FOGRA28, Uncoated FOGRA29, Coated FOGRA39, Euroscale Coated v2, Euroscale Uncoated v2, JapanWebCoated (Ad), JapanColor2001Coated, JapanColor2001Uncoated, JapanColor2002Newspaper, JapanColor2003WebCoated, EPSON_TOYO, EPSON_DIC, Off		
		RGB Source	sRGB, Adobe RGB (1998), Apple RGB, ColorMatch RGB, Off		
		Rendering Intent	Absolute, Relative, Perceptual, Saturation		
		Black Pt Compensation	On, Off		
		Auto Rotate	On, Off		
		Caching To HDD	On, Off		
		PS Error Sheet	On, Off		

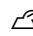
## Using the Control Panel Menu

Menu item		Description	
Printer Status	Firmware Version	xxxxxxx,x.xx,xxxx	
	Option Status	Displays the options connected.	
	Show Total Prints	XXXXXX m <sup>2</sup>	
	Print Status Sheet	Press OK to start printing.	
Network Setup	IP Address Setting	Auto	-
		Panel	IP Address, Subnet Mask, Default Gateway
	IPv6 Setting	Enable, Disable	
	IPsec Setting	Enable, Disable	
	PSK Setting	Set key at 20 characters or less (half-size characters or symbols)	
	IEEE802.1x Setting	Enable, Disable	
	HTTPS Redirect Setting	Enable, Disable	
	Print Status Sheet	Press OK to start printing.	
	Restore Settings	Yes, No	
Power Settings	Sleep Mode	5 to 210 minutes	
	Power Off Timer	Off, 1 to 24 hours	
	Restore Settings	Yes, No	
Preference	Language	Lists the supported languages.	
	Unit: Length	m, ft/in	
	Alert Lamp Setting	On, Off	
Administrator Menu	Change Password	Enter a password.	
	Operational Control	Network Setup	Password Required, No Password Required
	Power Cleaning		
	Manage HDD <sup>*3</sup>	Format Hard Disk	Yes, No
	Printer Mode		Auto, PostScript <sup>*4</sup> , HP-GL/2
	Date And Time		MM/DD/YY HH:MM
	Time Zone		Enter the time difference between GMT and the current time zone.
	Reset PS Settings <sup>*4</sup>		Yes, No
	Reset All Settings		Yes, No

## Using the Control Panel Menu

### **Large Copy / Large Scan menu**

This menu is displayed only when the optional Multifunction Scanner is connected.

 [“Large Copying and Large Scanning using the Multifunction Scanner \(Option\)” on page 71](#)

Menu item		Description
Copy Settings	Roll Select	Roll 1, Roll 2
	Scaling	Manual
		Auto
	Color/Grayscale	Color, Grayscale
	Document type	Text/Line Drawing, Tracing Paper, Recycled Paper, Blueprint, Poster
	Width	Auto, ISO A, US-ANSI, US-ARCH, JIS B, ISO B, cm, inch
	Quality	Speed, Fine
	Density	Level -3 to 3
	Contrast	Level -3 to 3
	Background	Level -3 to 3
	Sharpness	Level -3 to 3
Scan Setting <sup>*3</sup>	Color/Grayscale	Color, Grayscale
	Document type	Text/Line Drawing, Tracing Paper, Recycled Paper, Blueprint, Poster
	Width	Auto, ISO A, US-ANSI, US-ARCH, JIS B, ISO B, cm, inch
	Save Image type	JPEG, PDF
	Resolution	Direct Print (360dpi), 200dpi, 300dpi, 400dpi, 600dpi
	File Size Compression	High, Normal, Low
	Density	Level -3 to 3
	Contrast	Level -3 to 3
	Background	Level -3 to 3
	Sharpness	Level -3 to 3

## Using the Control Panel Menu

# Menu Descriptions

## Print Queues menu


When the printer printed without using the printer driver included with the printer or the PS driver included with the optional Adobe PostScript 3 Expansion Unit, the job names and estimated times in the following table may not be displayed correctly.

\*1. T7270D/T5270D only

\*2. T7270/T5270/T3270 only

\*3. When the optional hard disk unit or Adobe PostScript 3 Expansion Unit has been connected only

\*4. When the optional Adobe PostScript 3 Expansion Unit has been connected only

Item		Description
Print Queue <sup>*3</sup>	XXXXXXXXXX (name of waiting print job)	<p>Waiting Job Name User</p> <p>Estimated Start Time</p> <p>Estimated Print Time</p> <p>Printing Availability</p> <p>Lists the estimated start time and time needed to print the selected job.</p> <p>It also predicts whether the job can be completed without replacing paper, ink or the Ink Maintenance Tank. The estimates are guidelines only. We recommend proceeding even if Can Not Complete is displayed.</p> <p>Remote Manager and the LFP HDD Utility display the reason for the Can Not Complete message and allow you to hold or cancel the job.</p> <p> <a href="#">"Function Summary" on page 67</a></p> <p>Printing availability by paper remaining cannot be performed correctly if <b>Roll Paper Remaining</b> is <b>Off</b>.</p> <p>The printer will not predict availability on the basis of the amount of ink remaining when documents are printed using LFP Print Plug-In for Office or EPSON CopyFactory5.</p> <p>When the printer printed using the PS driver included with the optional Adobe PostScript 3 Expansion Unit, <b>Estimated Start Time</b> and <b>Estimated Print Time</b> are displayed as "0 minutes".</p>
Held Queue <sup>*2, *3</sup>	View Hold Queue	<p>XXXXXXXXX XXX (name of held job)</p> <p>Paused Job Name User</p> <p>Paper Type</p> <p>Source</p> <p>Size</p> <p>Reason For Hold</p> <p>This option is available only if <b>On</b> is selected for <b>Store Held Job</b> in the Setup menu,</p> <p>Displays the print settings for held jobs and the reason the job is held.</p> <p>Jobs that are held because the job print settings differ from those currently selected for the printer can be printed as described below.</p> <p>(1) Replace the paper and take whatever other steps may be necessary to ready the device for printing.</p> <p>(2) Select <b>Resume All Jobs</b>.</p>
	Resume All Jobs	Press the OK button to resume all held jobs currently in the queue.

## Using the Control Panel Menu

Item		Description	
Saved Job Queue <sup>*3</sup>	XXXXXXXXXX (name of stored print job)	Stored Job Name User Length Pages Paper Type Copies Source Size Estimated Print Time	Shows the status of the selected stored job when it was last printed.  After viewing the job, press the OK button to enter the number of copies. Press the ▲/▼ buttons to choose the number of copies and press the OK button to display the estimated print time and print availability. Press the OK button to start printing.
Print Job Log Sheet		Press the OK button to print the print job log.  Notes on ink consumption  This is a simple tool for estimating ink consumption for a given print job. EPSON DOES NOT WARRANT ACCURACY. Actual ink consumption varies considerably depending on such factors as software used, firmware version, image printed, print settings, substrate types, frequency of use, temperature, and variations in printer performance and user preferences and practices. Estimates do not account for ink used over the life of the cartridge for ink remaining in the cartridge after the replace cartridge signal. Some Epson printers have multiple tools for estimating cost or ink consumption and not all tools work the same way.	

## Using the Control Panel Menu

### Paper menu

If you use the **Custom Paper Setting** to register print settings for commercial paper on the T7270D/T5270D, observe the following precautions.

If you are printing on both the Roll 1 and Roll 2, configure them individually, even when the paper is the same. If the Custom Paper Setting set by the conditions set in Roll 1 is applied to the same type of paper loaded in Roll 2, but the paper path, paper width, or other print conditions are different, printing will not be performed correctly.

\*1. T7270D/T5270D only

\*2. T7270/T5270/T3270 only

\*3. When the optional hard disk unit or Adobe PostScript 3 Expansion Unit has been connected only

\*4. When the optional Adobe PostScript 3 Expansion Unit has been connected only

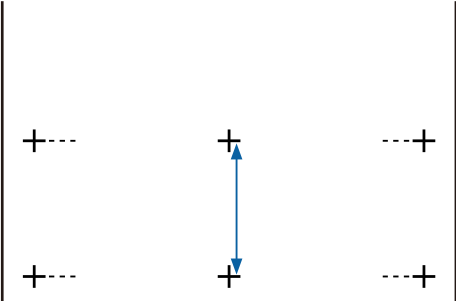
\* Default setting

Item		Description
Load/Remove Paper	Remove Paper	Instructions are not displayed if no paper is loaded.
	Roll Paper *2	Highlight the paper to be loaded and press the OK button. Follow the on-screen instructions to load the paper.  If paper is already loaded in the printer, the instructions for removing the loaded paper type will be displayed before loading instructions are shown.
	Roll 1 *1	
	Roll 2 *1	
	Cut Sheet (up to 0.8 mm thick)	
Poster Board		
Select Paper Type	Plain Paper	Select the type of paper loaded.
	Photo Paper	
	Matte Paper	
	Others	
	Custom Paper	Select the name of the custom paper loaded in the printer.

## Using the Control Panel Menu

Item			Description	
Custom Paper Setting	XXXXXXXXXX (name of custom paper type)	Select Reference Paper	Plain Paper	You can select the media type that is the closest to the paper you are using.
			Photo Paper	
			Matte Paper	
			Others	
			No Paper Selected	
		Platen Gap	Narrow	Select the platen gap, which is the distance between the print head and the paper. Normally, select <b>Standard</b> . Select a wider setting if printed images are smeared. If, upon performing head alignment, you feel that it is still not completely aligned, select <b>Narrow</b> .
			Standard*	
			Wide	
			Wider	
		Detect Paper Thickness	Press the OK button to print a pattern to determine the thickness of the current paper.	
Select the pattern number with the least misalignment from the print results.				

### Using the Control Panel Menu

Item		Description	
	Paper Feed Adjust	Pattern	<p>Use this setting if you are unable to resolve banding issues (horizontal striped lines or uneven colors) in the standard print area (for cut sheets, the area excluding the 1 to 2 cm strip at the bottom of the paper) even after head cleaning or head alignment.</p> <p><b>Pattern selected</b></p> <p>Press the OK button to print an adjustment pattern. Measure the distance between the "+" symbols.</p> <p>Use only the distance between the center symbols or the average of the distances between the left, center, and right symbols.</p> 
		Value	
			<p>After the adjustment pattern is printed, the length of the pattern will be displayed in the control panel. Press the ▲/▼ buttons to enter the measured value and press the OK button.</p> <p><b>Value selected</b></p> <p>Choose an adjustment between -0.70 and +0.70%.</p> <p>Selecting too small a value causes dark bands; adjust the amount upward. Similarly, choosing too large a value causes white bands; adjust the amount downward.</p>
	Paper Suction	-4 to 0 (0*)	<p>It is important to choose the appropriate amount of suction for the paper used in order to maintain the correct distance between the paper and the print head. Choosing too high a value for thin or soft paper will increase the distance between the paper and the print head, causing print quality to decline or preventing the paper feeding correctly. In such cases, you will need to lower the paper suction. The suction power is weakened when the parameter is lowered.</p>
	Roll Paper Tension	Normal*	<p>Select <b>High</b> or <b>Extra High</b> if the paper wrinkles during printing.</p> <p>If <b>Extra High</b> is set, the following setting is enabled: Setup menu &gt; <b>Advanced Settings</b> &gt; <b>Roll Paper Tension</b>.</p>
		High	
		Extra High	
	Remove Skew	On*	<p>Select whether to enable (On) or disable (Off) paper skew reduction.</p>
		Off	




## Using the Control Panel Menu

Item		Description	
	Setting Name	Enter a name of up to 22 characters for custom paper settings. Choose an easy-to-remember name for quick selection.	
	Restore Settings	Yes	Restore the selected custom paper settings to default values.
	No		
Print Paper List		Press the OK button to print a list of custom paper settings.	
Roll Paper Remaining		On*	<p>Select whether to display/record (<b>On</b>) or not to display/record (<b>Off</b>) the amount of remaining roll paper. If <b>On</b> is selected, you will be prompted to enter the length of the roll. The following options can be made available by entering the length of the loaded roll.</p> <p><input type="checkbox"/> Time until replacement</p> <p>When the roll is removed, a barcode will automatically be printed on the roll stating the length remaining, the value selected for the roll remaining alert, and the paper type.</p> <p>The barcode is automatically read and settings adjusted the next time the paper is used, improving efficiency when multiple rolls of paper are used.</p> <p><input type="checkbox"/> Printing Availability</p> <p>The printer will estimate printing availability based on the length of the roll.</p>
		Off	
Remaining Alert		1 to 15 m (5*)	<p>Displayed when <b>On</b> is selected for <b>Roll Paper Remaining</b>.</p> <p>Set within a range from 1 to 15 m to display a warning when the amount of remaining roll paper drops below that limit. You can set in 1 m increments.</p>

## Using the Control Panel Menu

## The Maintenance Menu

Item		Description	
Nozzle Check		Press the OK button to print a nozzle check pattern. Inspect the pattern visually and perform head cleaning if you detect faint or missing colors. <a href="#">☞ "Checking for clogged nozzles" on page 156</a>	
Head Cleaning		 <p>Inspect the printed pattern and select the check boxes for patterns with faint or missing areas. To select all nozzles, place a check in the box on the left. <a href="#">☞ "Cleaning the print head" on page 157</a></p>	
Head Alignment	Auto(Uni-D)	<p>If print results are grainy or out of focus, perform head alignment to realign the print head. If <b>Auto</b> is selected, the printer will scan the printed pattern during printing and realign the head automatically.</p> <p>If <b>Manual</b> is selected, a pattern will be printed; inspect the pattern visually and enter the value you think appropriate. <a href="#">☞ "Minimizing Print Misalignments (Head Alignment)" on page 158</a></p>	
	Auto(Bi-D)		
	Manual(Uni-D)		
	Manual(Bi-D)		
Cutter Maintenance	Adjust Cut Position	-3 to 3 mm	You can fine tune the cut position when printing to roll paper with no margins in all directions. The cut position can be adjusted in increments of 0.2 mm.
	Replace Cutter	<p>Moves the cutter to the replacement position so it can be replaced. Press the OK button to move the cutter to the replacement position. The paper must be removed before the cutter can be replaced. Remove the paper before proceeding. <a href="#">☞ "Replacing the Cutter" on page 163</a></p>	

## Using the Control Panel Menu

### Setup menu

Selecting **Administrator Menu** displays a password prompt. No password is entered at shipment; press the OK button to proceed. If the administrator password has been changed, enter the administrator password.

\*1. T7270D/T5270D only

\*2. T7270/T5270/T3270 only


\*3. When the optional hard disk unit or Adobe PostScript 3 Expansion Unit has been connected only

\*4. When the optional Adobe PostScript 3 Expansion Unit has been connected only

\* Default setting

### Printer Setup

#### Roll Paper Setup

Item	Description	
Auto Cut	On <sup>*</sup>	Choose <b>On</b> to automatically cut roll paper using the built-in cutter as each page is printed or <b>Off</b> to disable auto paper cutting. The setting selected with the printer driver takes priority when the printer driver is used.
	Off	
Cutting Mode	Normal <sup>*</sup>	If you want to reduce operation noise during cutting, set <b>Silent</b> . If <b>Silent</b> is set, the cutting speed is reduced.
	Silent	
Refresh Margin	On <sup>*</sup>	If <b>On</b> is selected during borderless printing, the printer will automatically trim the leading edge to remove any ink stains that may have been left by the previous copy; to disable this feature, choose <b>Off</b> .
	Off	
Page Line	On <sup>*</sup>	If <b>Auto Cut</b> is <b>Off</b> , you can choose to print ( <b>On</b> ) or not print ( <b>Off</b> ) cut lines on roll paper. Cut lines are not printed if <b>Auto Cut</b> is <b>On</b> or when cut sheets or poster board is used.  Note, however, that if the roll width selected with the computer is narrower than the paper loaded in the printer, cut lines will be printed regardless of the option selected for <b>Auto Cut</b> .  The setting selected with the printer driver takes priority when the printer driver is used.
	Off	
Roll Paper Margin	Normal <sup>*</sup>	When set to <b>Normal</b> , the top and bottom margins are 15 mm, and the left and right margins are 3 mm.  Except for <b>15mm</b> , the left and right margins for all other settings are 3 mm.   "Printable area" on page 63
	Top15mm/Bottom 15mm	
	Top35mm/Bottom 15mm	
	Top45mm/Bottom 15mm	
	3 mm	
	15 mm	
Roll End Option	Continue	Select the action to perform for a roll after replacement: print the remaining data ( <b>Continue</b> ) / do not print ( <b>Stop Printing</b> ) / print again from the beginning ( <b>Reprint</b> ).
	Stop Printing <sup>*</sup>	
	Reprint <sup>*3</sup>	

## Using the Control Panel Menu

Item	Description	
Auto Loading <sup>*1</sup>	On <sup>*</sup>	Normally, leave the setting at <b>On</b> .
	Off	<p>If you experience problems with automatic loading when you use commercially available paper because of lack of tension, slipperiness, extremely large curls, or other problems, set to <b>Off</b>.</p> <p>Remove all paper before configuring this setting. If paper is loaded, the setting cannot be changed.</p> <p>While the setting is <b>Off</b>, the Roll 2 unit cannot be used.</p>
Roll Switch Setting <sup>*1</sup>	Auto <sup>*</sup>	<p>Select the action to take when the roll currently in use is under the following conditions: automatically switch between Roll 1 and Roll 2 and print (<b>Auto</b>) / print fixed to Roll 1 (<b>Roll 1</b>)/print fixed to Roll 2 (<b>Roll 2</b>).</p> <ul style="list-style-type: none"> <li><input type="checkbox"/> The roll is finished, and there is data still to be printed.</li> <li><input type="checkbox"/> The printer predicts that there is not enough roll paper remaining, and printing cannot be completed.</li> <li><input type="checkbox"/> The print margin will be large for the width of the print job.</li> </ul> <p>When the setting is <b>Auto</b>, the roll is switched according to the Roll Switch Condition setting.</p>
	Roll 1	
	Roll 2	

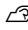
## Using the Control Panel Menu

Item		Description	
Roll Switch Condition <sup>*1</sup>	Paper Type	Type Match*	<p>From the following options, select the condition under which to switch to another roll for printing when the current roll has run out.</p> <p><input type="checkbox"/> <b>Type Match:</b> Switch to the other roll for printing only when the paper type specified in the job and the paper type of the other roll are the same.</p> <p>If a different type of paper has been loaded on the other roll, an error appears, and the printer cannot print.</p> <p><input type="checkbox"/> <b>Disable:</b> Print even when the paper type is different.</p>
		Disable	
	Paper Length	Print Length*	<p>From the following options, select the conditions when you want to switch in consideration of roll paper remaining and print length (length of one page of a print job).</p> <p>Note that if <b>Roll Paper Remaining</b> is <b>Off</b> in the Paper menu, this setting is disabled regardless of its configuration.</p> <p><input type="checkbox"/> <b>Print Length:</b> If both Roll 1 and Roll 2 have enough paper remaining for the print length, print using the roll with the lower remaining amount. If the remaining amount of one roll is shorter than the print length, print using the other roll.</p> <p><input type="checkbox"/> <b>Remaining Amount:</b> Print using the roll with the lower remaining amount regardless of the print length.</p> <p><input type="checkbox"/> <b>Disable:</b> Print using the roll currently in use regardless of the remaining amount or print length.</p>
		Remaining Amount	
		Disable	
	Paper Width	Best Fit*	<p>From the following options, select the conditions when you want to use the roll paper that reduces print margins in consideration of roll paper width and print job length (the value of <b>Document Size</b> of the printer driver).</p> <p><input type="checkbox"/> <b>Best Fit:</b> Compare the roll width of Roll 1 and Roll 2 and the width of the print job, and then print using the roll with the smaller print margin.</p> <p><input type="checkbox"/> <b>Width Match:</b> Print using the roll with a width that matches the width of the print job.</p> <p><input type="checkbox"/> <b>Disable:</b> Print using the roll currently in use regardless of the roll paper width or print job width.</p>
		Width Match	
		Disable	
Print Job Priority <sup>*3</sup>	Roll In Use	<p>Select the print job priority when there are several waiting jobs: print jobs that can be printed by the roll currently in use, switch to another roll, and then print the remaining jobs (<b>Roll In Use</b>) / Print jobs in the order they were received (<b>In Order</b>). When the setting is <b>In Order</b>, automatic roll switching operations may be frequent depending on the settings of the print jobs, and this may increase the overall print time.</p>	
	In Order*		

## Advanced Settings

Item	Description	
Roll Paper Tension	1 to 5 (3*)	<p>This setting is used if one of the following settings are configured to <b>Extra High</b>: Paper menu &gt; <b>Custom Paper Setting</b> &gt; <b>Roll Paper Tension</b> or Printer driver's <b>Paper Configuration</b> &gt; <b>Roll Paper Tension</b>.</p> <p>If wrinkles are formed on the paper during printing when the abovementioned <b>Roll Paper Tension</b> is <b>High</b>, set it to <b>Extra High</b>, and then configure the strength of the tension using this setting.</p> <p>Higher values produce higher tension.</p>

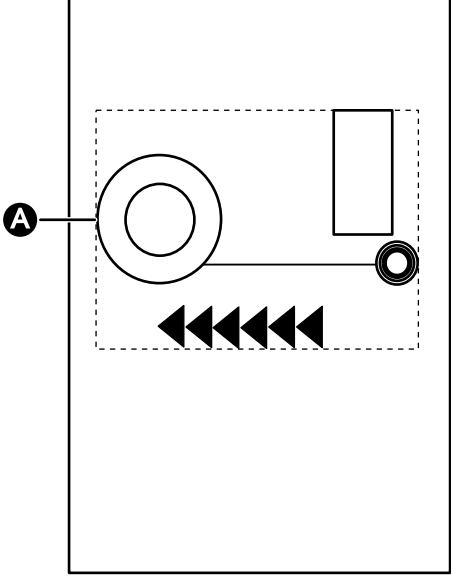
## Using the Control Panel Menu

Item	Description	
Less Head Scuffing	On	If the paper is thick, the print head may scuff the print surface. Choose <b>On</b> to prevent scuffing. This option can be used to temporarily change the value selected for <b>Custom Paper Setting &gt; Platen Gap</b> in the Paper menu. Note, however, that <b>On</b> has no effect when <b>Wider</b> is selected for <b>Platen Gap</b> .
	Off*	
Drying Time Per Page	Off to 60 minutes (Off*)	Specify how long the printer pauses to allow the ink to dry after printing each page; choose from values between 0 and 60 minutes. Depending on the ink density or paper type, the ink may take a while to dry. If the ink blurs on the paper, set a longer time for drying the ink.  The longer the drying time, the more time required for printing.
Paper Size Check	On*	Choose whether the printer automatically detects ( <b>On</b> ) or does not detect ( <b>Off</b> ) the paper width. Try choosing <b>Off</b> if a paper setting error is displayed when the paper is correctly loaded. Note, however, that the printer may print outside the paper when <b>Off</b> is selected. If it prints beyond the edges of the paper, the inside of the printer becomes dirty with ink. We generally recommend to operate with this setting set to <b>On</b> .
	Off	
Paper Skew Check	On*	If <b>On</b> is selected, an error will be displayed in the control panel and printing will stop if the paper is skewed; select <b>Off</b> to disable this feature. <b>On</b> is recommended in most circumstances as skewed paper may cause the printer to jam.
	Off	
Store Held Job* <sup>2, 3</sup>	On	This setting is displayed if an optional hard disk unit or Adobe PostScript 3 Expansion Unit is connected. If <b>On</b> is selected, print jobs that require a paper type, source, or output paper size (width) that differs from those currently selected with the printer will be saved as held jobs; select <b>Off</b> to disable this feature.  If <b>Off</b> is selected, an error will be displayed and will printing will stop if the source selected for the print job does not match that selected with the printer.  When <b>On</b> is selected, printing will not stop if an error occurs; instead, jobs with non-matching settings will be saved to the hard disk unit or Adobe PostScript 3 Expansion Unit as held jobs. Held jobs can be printed from the Print Queue menu after the printer has been readied by, for example, loading the correct type of paper.   "Function Summary" on page 67
	Off*	
USB Timeout	10 to 600 seconds (10*)	If printing stops mid-way when the printer and computer are connected by a USB cable, set a longer time.

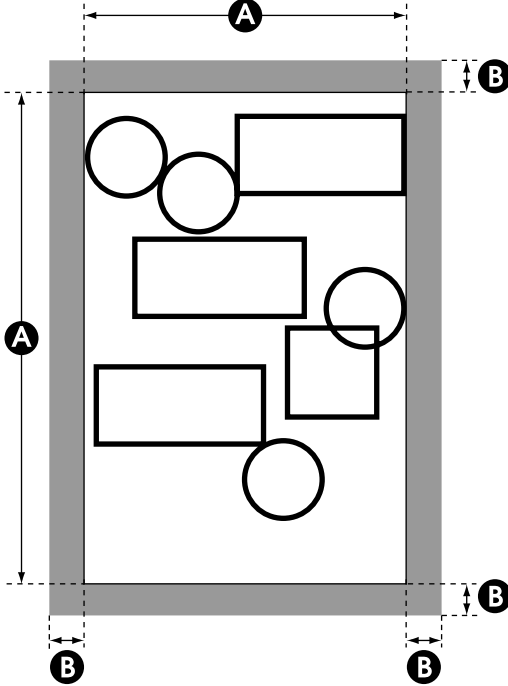
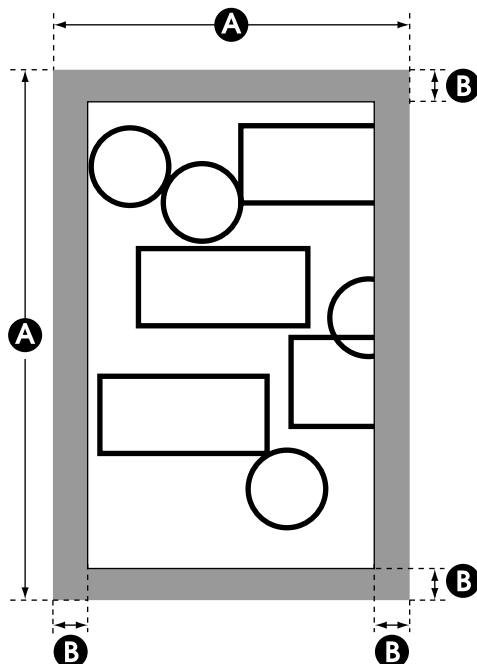
## HP-GL/2 Settings

Item	Description	
Quality	Speed	Choose Print Quality in view of image quality and print speed.
	Fine*	

### Using the Control Panel Menu

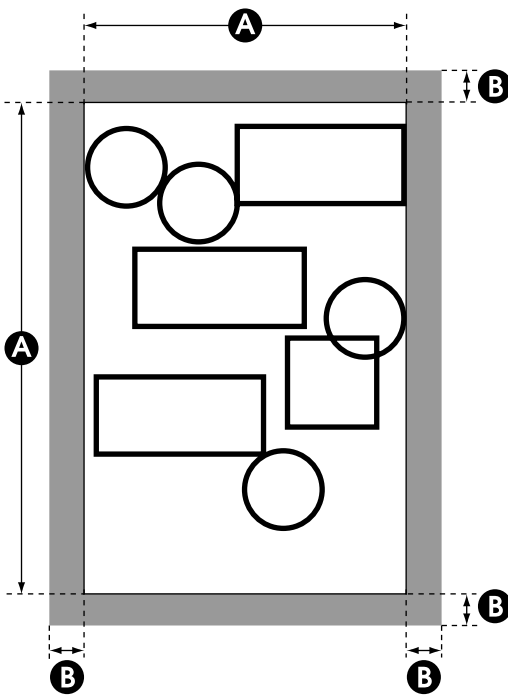
Item	Description	
Output Size	Auto*	<p>The hard clip area of the PS command of the data becomes the base output size. The actual output size depends on the <b>Margin Options</b> setting.</p> <p>When the data does not contain a PS command, the smallest rectangle area <b>A</b> of in the following illustration including the print object becomes the base output size.</p> 
	A Series/US-ANSI/US-ARCH/B Series/Photo Series/Others	<p>Choose the base output size from the compatible standard sizes. The actual output size depends on the <b>Margin Options</b> setting.</p> <p>For a cut sheet, this setting is available only when the data does not contain a PS command.</p> <p>If the data contains a command, this setting is not available, and the hard clip area of the PS command becomes the base output size.</p>
	User Defined	<p>Select this option when outputting at non-standard sizes. After selecting this setting, set Paper Width and Paper Height. You can set in 0.1 mm increments.</p> <p>Paper Width                      T7270/T7270D: 89*1 to 1,118 mm                      T5270/T5270D: 89*1 to 914 mm                      T3270: 89*1 to 610 mm</p> <p>Paper Height                      127 to 4,620 mm</p> <p>The actual output size depends on the <b>Margin Options</b> setting.</p> <p>*1. The smallest size supported by the printer is 254 mm wide × 127 mm long. If a smaller size is entered for this setting, the document will print with wider-than-expected margins, which must be trimmed.</p>
Margin	3mm*	Select the top, bottom, left, and right margin values.
	5mm	For a cut sheet, the bottom margin is 14 mm regardless of the settings.

### Using the Control Panel Menu

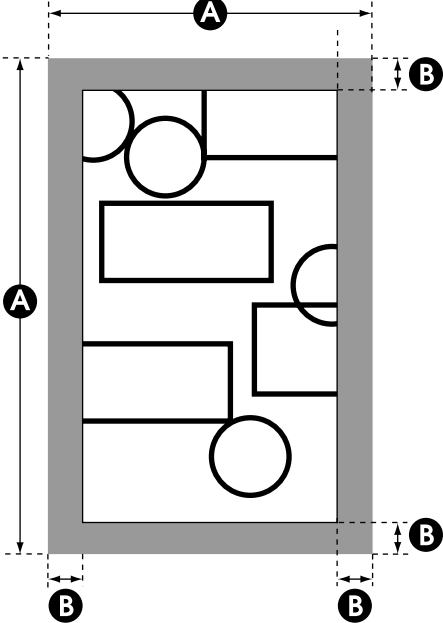
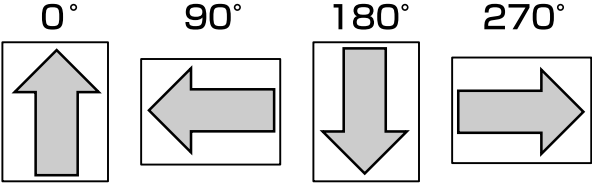
Item	Description	
Margin Options	Standard*	<p>The position at which the margin is added depends on the <b>Output Size</b> setting, as shown below.</p> <ul style="list-style-type: none"> <li> <input type="checkbox"/> When set to <b>Auto</b> <p>Adds the value selected for <b>Margin</b> (area of <b>B</b> in the following illustration) outside the hard clip area of the PS command of the data (area of <b>A</b> in the following illustration).</p>  </li> <li> <input type="checkbox"/> When set to a standard size or <b>User Defined</b> <p>Adds the value selected for <b>Margin</b> (area of <b>B</b> in the following illustration) inside the size selected for <b>Output Size</b> (area of <b>A</b> in the following illustration) and prints only the section within the area excluding the margins.</p>  </li> </ul>



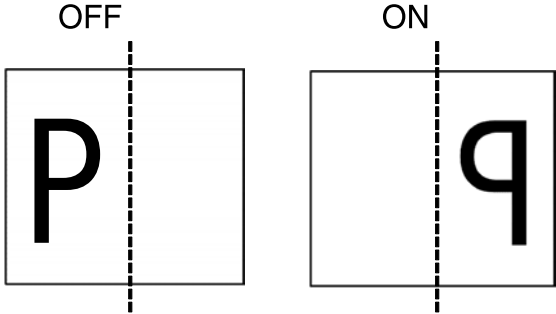
### Using the Control Panel Menu

Item	Description	
	<p>Add Margins</p>	<p>The position at which the margin is added depends on the <b>Output Size</b> setting, as shown below.</p> <ul style="list-style-type: none"> <li><input type="checkbox"/> When set to <b>Auto</b> The result is the same as when <b>Standard</b> is selected.</li> <li><input type="checkbox"/> When set to a standard size or <b>User Defined</b> Adds the value selected for <b>Margin</b> (area of <b>B</b> in the following illustration) outside the size selected for <b>Output Size</b> (area of <b>A</b> in the following illustration). With the actual Output Size, the margin section becomes larger than the selected size (the area of <b>A</b> in the following illustration).</li> </ul> 


### Using the Control Panel Menu

Item	Description	
	Clip By Margins	<p>Depending on the <b>Output Size</b> setting, adds the value selected for <b>Margin</b> (area of <b>B</b> in the following illustration) inside the hard clip area of the PS command of the data or the size selected for <b>Output Size</b> (area of <b>A</b> in the following illustration). When there is a print object in the margin section, it is clipped and not printed.</p> 
Rotate	<p>0°*</p> <hr/> <p>90°</p> <hr/> <p>180°</p> <hr/> <p>270°</p>	<p>You can rotate the coordinates of the drawn data counterclockwise in units of 90° before printing. Note that objects drawn by RTL are not rotated.</p> <p>When both this setting and the RO command specify rotation, rotation is performed using the combined amount of both values. Note that rotation by the RO command is for objects only (the arrow section in the following illustration), and rotation is not performed for the drawn area (the square section in the following illustration). As a result, objects in a section that protrude from the drawn area are not printed.</p> 

## Using the Control Panel Menu

Item	Description	
Mirror	On	<p>Select whether to flip horizontally (mirror) using the center of the Output Size width as the basis line and then print (<b>On</b>) or print without flipping horizontally (<b>Off</b>).</p> <div style="text-align: center;">  </div> <p>If an angle is specified for <b>Rotate</b>, the rotated result is flipped horizontally.</p>
	Off*	
Select Palette	Software*	<p>From the following selections, choose the palette that specifies the color and thickness of the logical pen.</p> <ul style="list-style-type: none"> <li><input type="checkbox"/> <b>Software:</b> Print according to the pen configurations set in the application, and ignore the built-in palette of the printer.</li> <li><input type="checkbox"/> <b>Default:</b> Print according to the settings of the built-in palette of the printer specified in advance. The settings of the palette cannot be changed. The built-in palette specifies a logical pen with a pen width of 0.35 mm and 256 colors. For a sample of colors that correspond to the color numbers, see the included "Color Palette.pdf".  <p>"Color Palette.pdf" recommends checking a print result that was printed with <b>Print Quality</b> set to <b>CAD / Line Drawing (Color)</b> in the included printer driver.</p> </li> <li><input type="checkbox"/> <b>Palette A/Palette B:</b> The printer prints according to the settings of the built-in palette that you specified for <b>Define Palette</b>. If <b>Define Palette</b> setting is not set, the results are the same as when <b>Default</b> is selected.</li> </ul> <p>When <b>Default/Palette A/Palette B</b> is set, the pen configurations set in the application are ignored.</p>
	Default	
	Palette A	
	Palette B	
Define Palette	Palette A*	<p>You can define a unique built-in palette by specifying the pen width and color for the 16 types of logical pen. There are two types of definable built-in palettes: <b>Palette A</b> and <b>Palette B</b>. Select a palette to be defined, select <b>Pen Number</b>, and then define the <b>Pen Width</b> and <b>Pen Color</b> for each pen. For a sample of colors that correspond to the color numbers, see the included "Color Palette.pdf".</p> <p>"Color Palette.pdf" recommends checking a print result that was printed with <b>Print Quality</b> set to <b>CAD / Line Drawing (Color)</b> in the included printer driver.</p>
	Palette B	

### Using the Control Panel Menu

Item	Description	
Line Merge	On	Select whether to merge the intersection of the overlapping lines within the image according to the MC command of the data ( <b>On</b> ) / Move lines to be printed later to the front at intersections ( <b>Off</b> ).
	Off*	
		
Reset HP-GL/2 Settings	Yes	If <b>Yes</b> is selected, the <b>HP-GL/2 Settings</b> are restored to default values.
	No	

#### Restore Settings

Description	
Yes	If <b>Yes</b> is selected, the <b>Printer Setup</b> is restored to default values.
No	

### Option Setup <sup>\*4</sup>

#### PS3 Expansion Unit

Item	Description	
Version	The supported PostScript version and the latest version for processable PDF files are displayed. If the PDF version displayed in the document properties of the PDF file is the same or earlier than the version displayed here, the file can be processed.	
PS Status Sheet	If the OK button is pressed, the information of the Adobe PostScript 3 Expansion Unit is printed.	
Output Size	Auto	Select the size of the paper used for printing.
	A Series (A4*)/US-ANSI/US-ARCH/B Series/Photo Series/Others	When <b>Auto</b> is selected, the printer prints using the size of the print data. The actual output size depends on the margin settings. When a standard size or <b>User Defined</b> is selected, all print data is enlarged or reduced to the selected paper size and then printed. The sizes that can be selected vary with the printer model.
	User Defined	When print data is created with the paper size set to A4, the following settings have the described results. <b>Auto</b> : data is printed with margins added outside the A4 size. <b>A4</b> : data is printed with the A4 data reduced to the printable area of the A4 size.
Quality	Speed	Choose Print Quality in view of image quality and print speed.
	Normal*	
	Fine	

## Using the Control Panel Menu

Item	Description	
Color Mode	Color*	Specify whether to print in color or switch to black and white and then print. Depending on the paper type specified on the printer, the setting is not displayed. When you are using the T7270D/T5270D, the setting depends on the paper type of the roll paper currently in use.
	Grayscale	
Dot Correction	On	This setting is displayed only when the paper type is set to Singleweight Matte Paper and Plain Paper.  When you are using the T7270D/T5270D, the setting depends on the paper type of the roll paper currently in use.  If lines printed with CAD programs or similar programs have gaps or smudges, you may be able to reduce them by setting <b>On</b> .
	Off*	
CMYK Simulation	SWOP v2/US Web Uncoated v2/US Sheetfed Coated v2/US Sheetfed Uncoatedv2/Coated GRACoL 2006/SWOP Grade 3 Paper/SWOP Grade 5 Paper/Coated FOGRA27/Web Coated FOGRA28/Uncoated FOGRA29/Coated FOGRA39/Euroscale Coated v2*/Euroscale Uncoated v2/JapanWebCoated (Ad)/JapanColor2001Coated/JapanColor2001Uncoated/JapanColor2002Newspaper/JapanColor2003WebCoate/EPSON_TOYO/EPSON_DIC/Off	When you simulate CMYK ink colors of offset printers, you can select the color of the CMYK ink to be simulated.  If <b>Off</b> is set, ink is not simulated.
RGB Source	sRGB	When you will print RGB data, you can select the color space of the RGB to be simulated.  If <b>Off</b> is set, ink is not simulated.
	Adobe RGB (1998)*	
	Apple RGB	
	ColorMatch RGB	
	Off	
Rendering Intent	Absolute	Select the conversion method (rendering intent) of color space when carrying out CMYK simulation or RGB simulation from the following four types.  <input type="checkbox"/> <b>Absolute Colorimetric:</b> Assigns absolute color gamut coordinates to the original and print data and converts the data. Color tone adjustment is not performed on any white point (or color temperature) for the original or print data. This setting is appropriate for when color accuracy is important, such as when printing logo colors.  <input type="checkbox"/> <b>Relative Colorimetric:</b> Converts the data so that a set of color gamut and white point (or color temperature) coordinates in the original data match their corresponding print coordinates. This feature is used for many types of color matching.  <input type="checkbox"/> <b>Perceptual:</b> Converts the data so that a more visually natural image is produced. This setting is appropriate for photo images.  <input type="checkbox"/> <b>Saturation:</b> Convert focusing on the vividness of color rather than color accuracy. Suitable for business graphics such as graphs and charts, for which the use of bright colors is preferred.
	Relative	
	Perceptual*	
	Saturation	
Black Pt Compensation	On	When you have converted from a wide color space to narrow color space or you feel that the shadows are smudged, set to <b>On</b> .
	Off*	

## Using the Control Panel Menu

Item	Description	
Auto Rotate	On	Select whether to rotate portrait print data 90° to the right automatically ( <b>On</b> ) or print without rotation ( <b>Off</b> ).
	Off*	Print data that was created in a landscape orientation is not automatically rotated even when this setting is <b>On</b> .
Caching To HDD	On	Normally, leave the setting at <b>Off</b> . If the print head stops frequently while waiting for data expansion during printing, set to <b>On</b> .
	Off*	
PS Error Sheet	On	Select whether to print a sheet with the error condition listed ( <b>On</b> ) or not to print ( <b>Off</b> ) when a PostScript error occurs during printing or an error occurs during printing of a PDF file.
	Off*	

## Printer Status

Item	Description	
Firmware Version	xxxxxxx,x.xx,xxxx	You can see the firmware version.  When an optional auto take-up reel unit is connected, its firmware version is displayed below the firmware version of the printer.  Furthermore, when an optional Adobe PostScript 3 Expansion Unit is connected, its two control versions are displayed at the end.
Option Status	Lists the optional accessories currently connected to the printer and available for use.	
Show Total Prints	XXXXXX m <sup>2</sup>	Displays the total area of media printed (to a maximum of six digits).
Print Status Sheet	Press the OK button to print a list of current printer settings.  Choose this option to view settings at a glance.	

## Network Setup

Item	Description	
IP Address Setting	Auto*	Select whether to use DHCP to set the IP address ( <b>Auto</b> ), or to set the address manually ( <b>Panel</b> ). Choose <b>Panel</b> to enter the <b>IP address</b> , <b>Subnet Mask</b> , and <b>Default Gateway</b> . Contact your system administrator for detailed information.
	Panel	
IPv6 Setting	Enable	Select whether to enable or disable the IPv6 function.
	Disable*	
IPsec Setting	Enable	Select whether to enable or disable the IPsec function.
	Disable*	
PSK Setting	Enter a Pre-Shared Key of up to 20 characters (half-width alphanumeric characters and symbols).	
IEEE802.1x Setting	Enable	Select whether to enable or disable the IEEE802.1X function.
	Disable*	
HTTPS Redirect Setting	Enable	Select whether to enable or disable the function to auto-direct HTTP to HTTPS.
	Disable*	

## Using the Control Panel Menu

Item	Description	
Print Status Sheet	Press the OK button to print a list of the <b>Network Setup</b> . Use this information for a complete overview of network settings.	
Restore Settings	Yes	Select <b>Yes</b> to restore all <b>Network Setup</b> content to default values.
	No	

## Power Settings

Item	Description	
Sleep Mode	5 to 210 minutes (15 <sup>*</sup> )	The printer will enter sleep mode if no errors have occurred, no print jobs have been received, and no actions are performed on the control panel for an extended period of time. This setting selects the amount of time until the printer enters sleep mode. <a href="#">☞ "Using the Power Off Timer" on page 64</a>
Power Off Timer	Off	The printer turns off automatically when there are no errors, no print jobs being received, and no control panel or other operations are performed for eight hours. The delay before the printer turns off can be selected from values between 1 and 24 hours in increments of 1 hour. Choose <b>Off</b> to prevent the printer turning off automatically.
	1 to 24 hours (8 <sup>*</sup> )	
Restore Settings	Yes	Select <b>Yes</b> to restore all <b>Eco Settings</b> to default values.
	No	

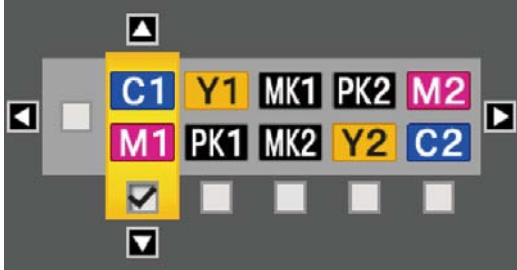
## Preference

Item	Description	
Language	Japanese, English, French, Italian, German, Portuguese, Spanish, Dutch, Russian, Korean, Chinese	Select the language used on the control panel's screen.
Unit: Length	m <sup>*</sup>	Select the unit of length which is displayed on the control panel's screen or printed on the patterns.
	ft/in	
Alert Lamp Setting	On <sup>*</sup>	Choose whether the large alert lamp lights ( <b>On</b> ) or does not light ( <b>Off</b> ) when an error occurs.
	Off	

## Administrator Menu

Item	Description
Change Password	Enter an administrator password of up to 20 characters. Selecting Administrator Menu displays a password prompt. The Administrator Menu will only be displayed if the correct password is entered, preventing non-administrators from accidentally changing settings. Keep the password in a safe place. Should you forget the password, contact your dealer or Epson Support.

## Using the Control Panel Menu


Item		Description	
Operational Control	Network Setup	Password Required	Choose whether the administrator password is required to access <b>Network Setup</b> from the control panel or Remote Manager.
		No Password Required*	
Power Cleaning		 <p>Inspect the printed pattern and select the check boxes for patterns with faint or missing areas. To select all nozzles, place a check in the box on the left.</p>	
Manage HDD <sup>*3</sup>	Format Hard Disk	Yes	<p>If <b>Yes</b> is selected, an optional hard disk unit or Adobe PostScript 3 Expansion Unit that is connected to the printer is formatted.</p> <p>Formatting the hard disk unit or Adobe PostScript 3 Expansion Unit deletes all stored print jobs.</p> <p>Hard disk units or Adobe PostScript 3 Expansion Units that have been used with other printers must be formatted before they can be used with this printer.</p>
		No	
Printer Mode	Auto*	Normally, leave the setting at <b>Auto</b> . Sent print data is identified, and the operation mode is switched automatically. If operation mode switching is not performed correctly, and printing is not performed correctly, set to the operation mode to be used.	
	PostScript <sup>*4</sup>		
	HP-GL/2		
Date And Time		MM/DD/YY HH:MM	Set the printer's built-in clock. The time provided by the clock is used when printing logs and status sheets.
Time Zone		<p>Enter the difference between the current time zone and GMT.</p> <p>The selected time zone is used in e-mail notifications sent by Remote Manager when an error occurs and so on.</p>	
Reset PS Settings <sup>*4</sup>		Yes	Select <b>Yes</b> to initialize the user font and user ICC profile saved in the user area of the Adobe PostScript 3 Expansion Unit. Initialization deletes saved data.
		No	
Reset All Settings		Yes	Select <b>Yes</b> to restore defaults for all settings except the Date And Time, Language, and Unit: Length options in the Setup menu.
		No	



## Using the Control Panel Menu

## Large Copy / Large Scan menu

This menu is displayed only when the optional Multifunction Scanner is connected.

 [“Large Copying and Large Scanning using the Multifunction Scanner \(Option\)” on page 71](#)

\*1. T7270D/T5270D only

\*2. T7270/T5270

\*3. Displayed when the optional hard disk unit or PS3 Expansion Unit has been connected

\*4. Displayed when the optional PS3 Expansion Unit has been connected

\* Default setting

## Copy Settings

Item		Description	
Roll Select		Roll 1 *	Choose whether to copy and print using Roll 1 or Roll 2. When roll paper that does not support large copy/large scan is loaded, this option is not displayed.
		Roll 2	
Scaling	Manual*	25 to 400% (100*)	Choose whether to set the copy scaling manually ( <b>Manual</b> ) or zoom automatically in accordance with the width of the loaded roll paper ( <b>Auto</b> ).
	Auto		
Color/Grayscale		Color*	Choose whether to copy a color document and print it with colors or in black and white.
		Grayscale	
Document Type		Text/Line Drawing*	Select the type in accordance with the loaded document.
		Tracing Paper	
		Recycled Paper	
		Blueprint	
		Poster	
Width	Auto*		The default setting of <b>Auto</b> is recommended in most situations. Note that, depending on the document, it may not be possible to detect the width correctly even when the setting is <b>Auto</b> . In such cases, change from the standard size and specify a width of your choosing.
	ISO A, US-ANSI, US-ARCH, JIS B, ISO B	The supported sizes are displayed.	
	cm	20 to 90 cm (20*)	
	inch	8 to 36 in (8*)	
Quality		Speed*	Choose the quality of copying and printing. <b>Fine</b> prioritizes quality so the print speed is slower. The selectable options vary with the <b>Document Type</b> setting.
		Fine	
Density		Level -3 to 3 (0*)	Set the copy density. Negative values (-) are lighter, and positive values (+) is darker.
Contrast		Level -3 to 3 (0*)	Set the contrast. Negative values (-) are weaker, and positive values (+) are stronger.

## Using the Control Panel Menu

Item	Description	
Background	Level -3 to 3 (0 <sup>*</sup> )	Set the adjustment value for the background. Configure this setting when you are copying documents with colors or documents that are thin, or when removing unwanted backgrounds. Negative values (-) are weaker, and positive values (+) are stronger.
Sharpness	Level -3 to 3 (0 <sup>*</sup> )	Set the sharpness. Negative values (-) are weaker, and positive values (+) are stronger.

Scan Setting <sup>\*1</sup>

Item	Description		
Color/Grayscale	Color <sup>*</sup>	Choose whether to scan colored documents with colors or convert to black and white and then scan.	
	Grayscale		
Document Type	Text/Line Drawing <sup>*</sup>	Select the type in accordance with the loaded document.	
	Tracing Paper		
	Recycled Paper		
	Blueprint		
	Poster		
Width	Auto <sup>*</sup>	The default setting of <b>Auto</b> is recommended in most situations. Note that, depending on the document, it may not be possible to detect the width correctly even when the setting is <b>Auto</b> . In such cases, change from the standard size and specify a width of your choosing.	
	ISO A, US-ANSI, US-ARCH, JIS B, ISO B		The supported sizes are displayed.
	cm		20 to 90 cm (20 <sup>*</sup> )
	inch		8 to 36 in (8 <sup>*</sup> )
Save Image Type	JPEG <sup>*</sup>	Select the file format for scanned images. When <b>Resolution</b> is <b>Direct Print (360dpi)</b> , only JPEG is available.	
	PDF		
Resolution	Direct Print (360dpi) <sup>*</sup>	Choose the resolution for scanning.  When <b>Direct Print (360dpi)</b> is selected, you can print scanned image files directly. If you choose a resolution other than <b>Direct Print (360dpi)</b> , open <b>Scan File Options</b> , perform <b>Send To Shared Folder</b> , and print on a computer via an application.	
	200dpi		
	300dpi		
	400dpi		
	600dpi		
File Size Compression	High	Choose the compression rate when saving scanned images.	
	Normal <sup>*</sup>		
	Low		
Density	Level -3 to 3 (0 <sup>*</sup> )	Choose the density for scanning. Negative values (-) are lighter, and positive values (+) is darker.	
Contrast	Level -3 to 3 (0 <sup>*</sup> )	Set the contrast. Negative values (-) are weaker, and positive values (+) are stronger.	

**Using the Control Panel Menu**

<b>Item</b>	<b>Description</b>	
Background	Level -3 to 3 (0 <sup>*</sup> )	Set the adjustment value for the background. Configure this setting when you are scanning documents with colors or documents that are thin, or when removing unwanted backgrounds. Negative values (-) are weaker, and positive values (+) are stronger.
Sharpness	Level -3 to 3 (0 <sup>*</sup> )	Set the sharpness. Negative values (-) are weaker, and positive values (+) are stronger.

# Maintenance

## Adjusting the Print Head

You need to adjust the print head if white lines appear in your print outs or if you notice the print quality has declined. You can perform the following printer maintenance functions for maintaining the print head in good condition to ensure the best print quality.

Carry out appropriate maintenance depending on the print results and situation.

### Checking for clogged nozzles

Perform a nozzle check to check for clogs if the printer has not been used for an extended period or before important print jobs. Visually inspect the printed check pattern and clean the print head if you notice faint or missing areas.

### Cleaning the print head

Clean the print head if you notice faint or missing areas in printed documents. Cleans the surface of the print head to improve the print quality. Choose normal or power cleaning according to the level of cleaning required.

 [“Cleaning the print head” on page 157](#)

Normal cleaning is recommended in most circumstances. Use power cleaning if the nozzles remain clogged after normal cleaning has been performed several times.

### Adjusting the print head position (Print Head Alignment)

Perform Head Alignment if lines are misaligned or print results are grainy. The Head Alignment function corrects print misalignments.

 [“Minimizing Print Misalignments \(Head Alignment\)” on page 158](#)

## Checking for clogged nozzles

Nozzle checks can be performing from a computer or using printer's control panel.

## From the computer

Explanations in this section use the Windows printer driver as an example.

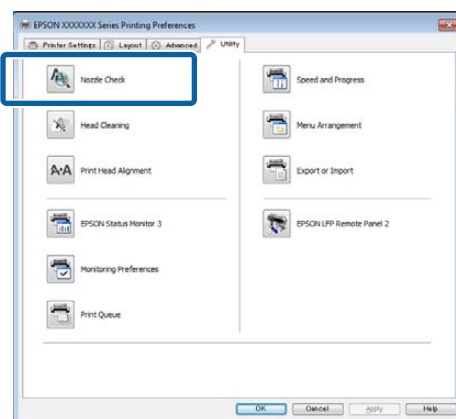
Use **Epson Printer Utility 4** for Mac OS X.

 [“Epson Printer Utility 4 Functions” on page 122](#)

- 1 Make sure that the roll paper or a cut sheet of A4 size or larger is loaded in the printer.

Make sure you set the paper source and media type correctly according to the paper you use.

- 2 Click **Nozzle Check** from the **Utility** tab in the printer driver's **Properties** (or **Printing preferences**) screen.



- 3 Click **Print**.  
The nozzle check pattern is printed.

- 4 Check the nozzle check pattern.  
If there is no problem: click **Finish**.

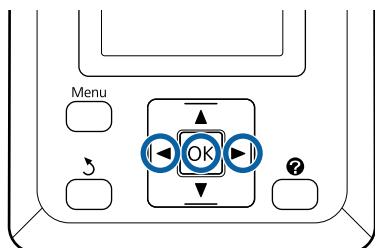
If there is a problem: click **Clean**.

After printing a nozzle check pattern, make sure that the nozzle check pattern printing is complete before printing your data or cleaning the print head.

## Maintenance

### From the printer

Buttons that are used in the following settings



- 1 Make sure that the roll paper or a cut sheet of A4 size or larger is loaded in the printer.

Make sure you set the paper source and media type correctly according to the paper you use.

- 2 Confirm that the printer is ready to print. Press the **▶▶** button.

The Maintenance menu will be displayed.

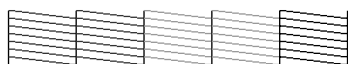
- 3 Confirm that **Nozzle Check** is highlighted and press the OK button.

A confirmation dialog will be displayed.

- 4 Press the OK button to print a check pattern.

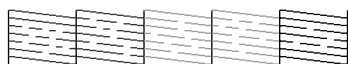
Review the printed check pattern while referring to the following section.

#### Example of clean nozzles



There are no gaps in the nozzle check pattern.

#### Example of clogged nozzles



If there are areas missing from the pattern, select **Head Cleaning** and clean the print head.

➔ [“Cleaning the print head” on page 157](#)

## Cleaning the print head

Although head cleaning can be performed from the computer or the printer, the cleaning procedures differ as explained below.

- From the computer

All nozzles are cleaned.

- From the printer

You can clean all nozzles or select for cleaning only those nozzles for which the printed nozzle check pattern indicates a problem.

### Notes on head cleaning

Note the following points when performing head cleaning.

- Clean the print head only if print quality declines; for example, if the printout is blurry or the color is incorrect or missing. Ink is consumed when head cleaning is performed.
- Cleaning all nozzles consumes some of each color of ink. Even if you are using only black inks for black and white printing, color inks are also consumed.
- When repeating head cleaning in a short time period, the Ink Maintenance Tank may fill up quickly due to a small amount of ink evaporation in the Ink Maintenance Tank. Prepare a spare Ink Maintenance Tank if there is not enough empty space in the box.
- If the nozzles are still clogged after cleaning the print head several times, we recommend trying power cleaning.
- Power cleaning consumes more ink than normal head cleaning. Check the remaining ink level in advance, and prepare a new ink cartridge before you start cleaning if the ink is low.
- If the nozzles are still clogged after performing power cleaning, turn off the printer and leave it overnight or longer. When left for some time, the clogged ink may dissolve.

If the nozzles are still clogged, contact your dealer or Epson Support.

### Head Cleaning

#### From the computer

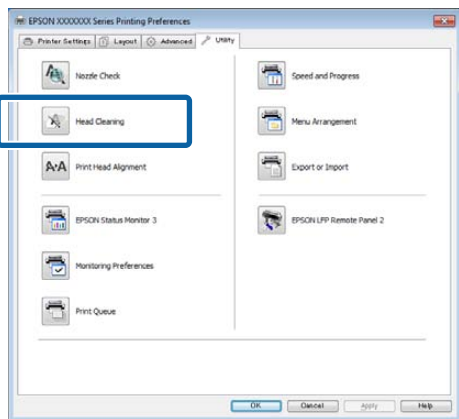
Explanations in this section use the Windows printer driver as an example.

## Maintenance

Use **Epson Printer Utility 4** for Mac OS X.

 [“Using Epson Printer Utility 4” on page 122](#)

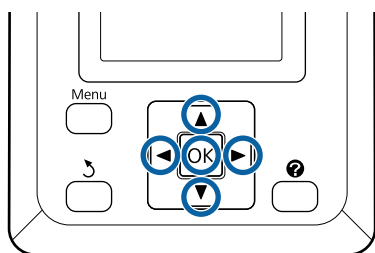
- 1 Click **Head Cleaning** from the **Utility** tab in the printer driver's **Properties** (or **Printing preferences**) screen.



- 2 Click **Start**.  
Head cleaning starts and it takes about one to ten minutes.
- 3 Click **Print Nozzle Check Pattern**.  
Confirm the nozzle check pattern.  
  
If any segments are missing in the nozzle check pattern, click **Clean**.

### From the printer

Buttons that are used in the following settings



- 1 Confirm that the printer is ready to print. Press the **Menu** button.  
  
The Maintenance menu will be displayed.
- 2 Press the **▼/▲** buttons to highlight **Head Cleaning** and press the **OK** button.  
  
You will be prompted to choose nozzle rows.

- 3 Select nozzle rows for cleaning.  
  
Press the **◀/▶** buttons to highlight numbers corresponding to check patterns with faint or missing segments and press the **▼/▲** button to select.

You can select multiple nozzle rows.

To select all nozzles, place a check in the box on the left.

- 4 Pressing the **OK** button displays a confirmation message. Press the **OK** button to start head cleaning.

A confirmation message is displayed when cleaning is complete.

- 5 To print a check pattern and check the status of the clog, press the **▼/▲** buttons to highlight **Nozzle Check** and press the **OK** button.

To exit without performing a nozzle check, highlight **Exit** and press the **OK** button.

## Minimizing Print Misalignments (Head Alignment)

Because there is a small distance between the print head and paper, misalignment may occur due to humidity or temperature, the inertial force of the print head's movements, or by moving the print head bidirectionally. This may result in grainy prints or lines that are incorrectly placed. When this happens, perform Head Alignment to correct the print misalignment.

Although Head Alignment can be performed from the computer or the printer, the alignment procedures differ as explained below.

### □ From the printer

Head alignment can be performed automatically or manually.

In auto adjustment, the sensor reads the adjustment pattern while it is printing, and automatically registers the optimum adjustment value to the printer.

Auto head alignment takes about 30 minutes to

## Maintenance

complete.

In manual adjustment, you need to check the pattern and enter the optimum adjustment value for alignment. Manual alignment can be used with cut sheets or other paper that does not support auto alignment or if auto alignment does not fix the problem completely.

Printing the pattern for manual head alignment takes from 7 to 11 minutes. The time required varies with the size of the pattern printed.

Uni-D and Bi-D head alignment are available in both auto and manual modes. Bi-D is recommended in most circumstances. Choose Uni-D if Bi-D head alignment does not completely fix the problem.

### From the computer

A computer can be used for auto head alignment.

In most cases, head alignment can be performed successfully with just this operation. We normally recommend this method as this is the simplest method. Auto head alignment takes about 30 minutes to complete. Manual head alignment can be performed from the printer's control panel if you are using cut sheets or other paper that does not support auto alignment or if auto alignment does to fix the problem completely.

### **Note:**

*Head Alignment is adjusted according to the paper currently loaded in the printer. Load the paper for which head alignment is required.*

*Note, however, that auto head alignment is not available with the paper or in the circumstances listed below.*

- Transparent or colored media is loaded in the printer.*
- The paper loaded in the printer does not support auto head alignment.*

*See the following for information on the types of paper that support auto head alignment.*

*[↗](#) "Epson Special Media Table" on page 187*

- The current paper is more than 1.0 mm thick.*
- The printer is exposed to direct sunlight or another light source that causes optical interference.*

*Head Alignment may also fail to produce the desired results if nozzles are clogged. Perform head cleaning to clear any clogs before proceeding.*

### **From the computer**

Explanations in this section use the Windows printer driver as an example.

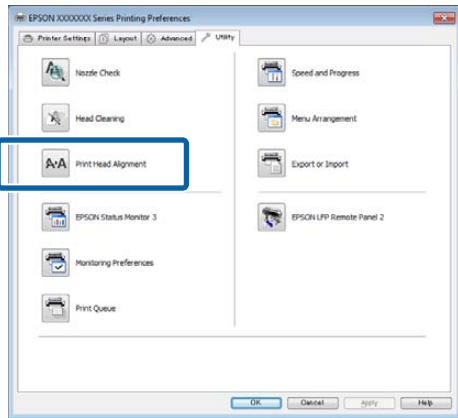
Use **Epson Printer Utility 4** for Mac OS X.

[↗](#) "Using Epson Printer Utility 4" on page 122

- 1 Load roll paper in the printer.  
Choose a paper type that matches the paper in the printer.
- 2 Click **Print Head Alignment** from the **Utility** tab in the printer driver's **Properties** (or **Printing preferences**) screen.

## Maintenance

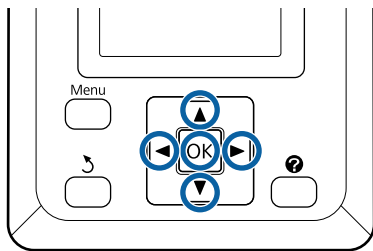
Follow the on-screen instructions to align the print head.



The sensor reads the adjustment pattern while it is printing, and automatically registers the optimum adjustment value to the printer.

### From the printer

Buttons that are used in the following settings



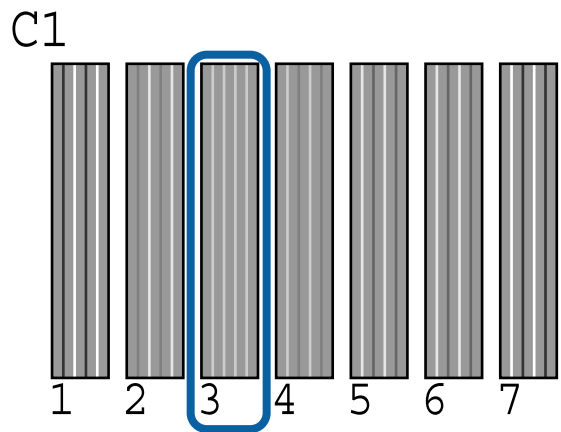
- 1 Make sure that the roll paper or a cut sheet of A4 size or larger is loaded in the printer.  
Make sure you set the paper source and media type correctly according to the paper you use.
- 2 Confirm that the printer is ready to print. Press the ◀/▶ buttons to highlight and press the OK button.  
The Maintenance menu will be displayed.
- 3 Use the ▼/▲ buttons to select **Head Alignment** and press the OK button.
- 4 Press the ▼/▲ buttons to highlight a head alignment option.
- 5 Press the OK button to print an adjustment pattern.

If **Auto** is selected, the printer will automatically align the head as it prints the head alignment pattern. The Maintenance menu will be displayed when head alignment is complete.

If **Manual** is selected, proceed to Step 6 to enter adjustment based on a visual inspection of the pattern.

- 6 Note the numbers of the patterns with the fewest white lines or in which the white lines are most evenly spaced.

This would be pattern 3 in the example shown in the illustration.



- 7 After confirming that **C1** is displayed in the control panel's screen, press the ▼/▲ buttons to select the number noted in Step 6 and press the OK button.
- 8 Repeat for all colors from **C1** to **BK2**, pressing the OK button each time.
- 9 The Maintenance menu will be displayed once the last number has been entered.




# Replacing Consumables

## Replacing Ink Cartridges

If one of the installed ink cartridges is expended, printing cannot be performed. If an ink low warning is displayed, we recommend replacing the ink cartridge(s) as soon as possible.

If an ink cartridge runs out while printing, you can continue printing after replacing the ink cartridge. However, when replacing ink during a print job, you may see a difference in color depending on the drying conditions.

Supported ink cartridges

 [“Options and Consumable Products” on page 185](#)

## How to replace

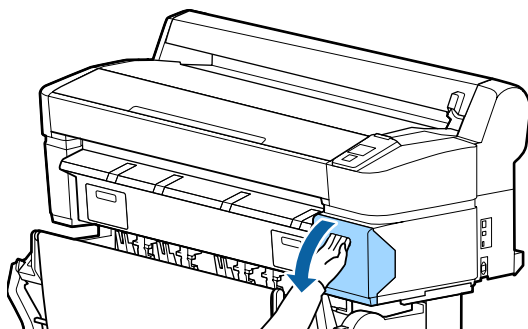
You can use the same procedure to replace all ink cartridges.



### Important:

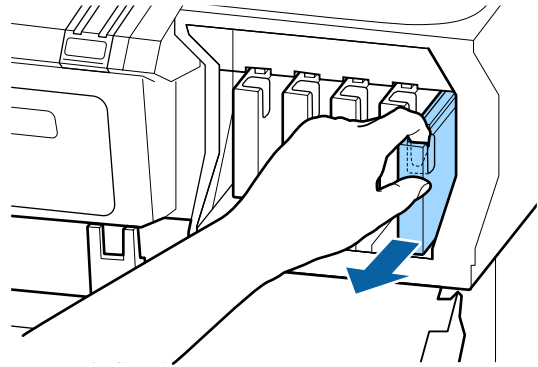
Epson recommends the use of genuine Epson ink cartridges. Epson cannot guarantee the quality or reliability of non-genuine ink. The use of non-genuine ink may cause damage that is not covered by Epson's warranties, and under certain circumstances, may cause erratic printer behavior. Information about non-genuine ink levels may not be displayed, and use of non-genuine ink is recorded for possible use in service support.

- 1 Make sure the printer is on.
- 2 Open the cartridge cover.



3

Hook a finger into the indentation on the top of the cartridge and pull it straight toward you.

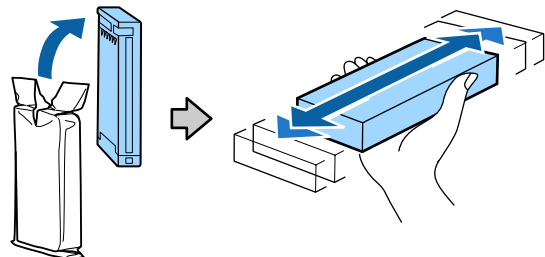


### Important:

Removed ink cartridges may have ink around the ink supply port, so be careful not to get any ink on the surrounding area when removing the cartridges.

4

Remove the new ink cartridge from the bag. Shake the ink cartridge for 10 seconds 30 times horizontally in approximately 5 cm movements as shown in the illustration.



### Important:

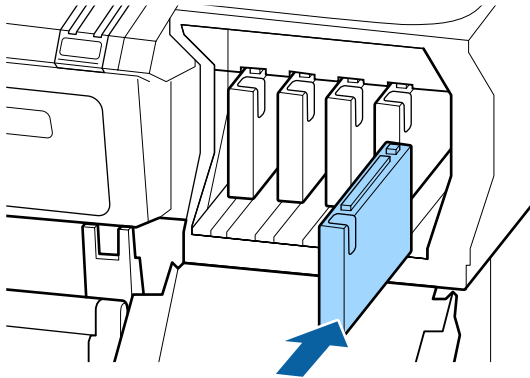
Do not touch the IC chips on the ink cartridges. You may not be able to print properly.

5

Holding the cartridge with the label out, slide it all the way into the slot.

## Maintenance

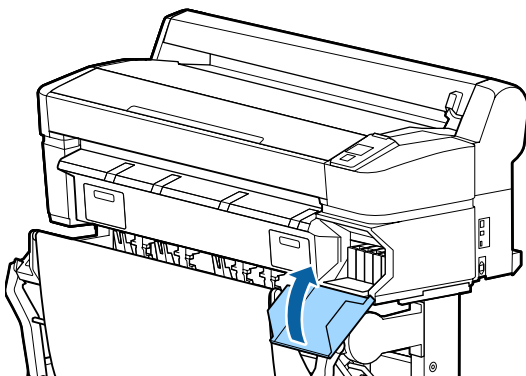
Match the color of the cartridge to the color of the label on the printer.



Repeat Steps 3 to 5 to replace other ink cartridges.

**!** **Important:**  
Install all ink cartridges into each slot. You cannot print if any of the slots are empty.

6 Close the cartridge cover.



**!** **Important:**  
We recommend that you remove and shake the installed ink cartridges once every three months to ensure print quality.

## Replacing Ink Maintenance Tanks

If the message **Not Enough Space** is displayed, replace the specified Ink Maintenance Tank.

Supported Ink Maintenance Tanks

[“Options and Consumable Products” on page 185](#)

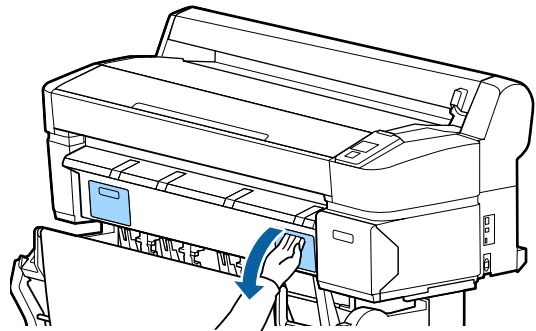
**!** **Important:**  
Do not reuse Ink Maintenance Tanks that have been removed and left out in the open for a long period of time. The ink on the inside will be dry and hard and will be unable to absorb enough ink.

## How to replace

Some models of printer have Ink Maintenance Tanks on both the left and right sides, but the procedure for replacing the boxes is the same in all cases.

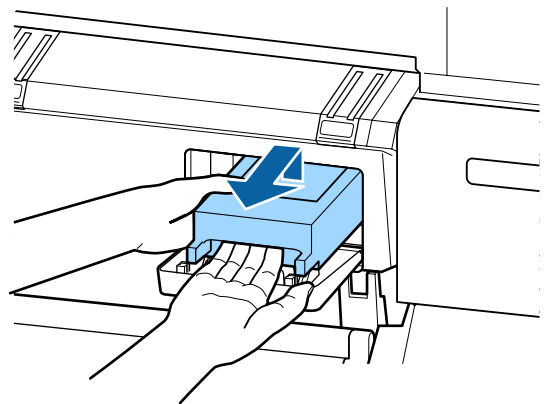
**!** **Important:**  
Do not replace the Ink Maintenance Tank while printing. Waste ink may leak.

1 Open the ink maintenance tank cover.



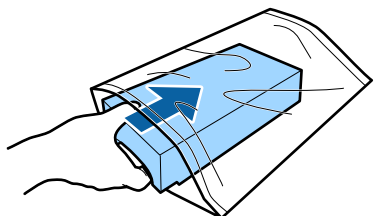
2 Pull the Ink Maintenance Tank out.

Lifting the Ink Maintenance Tank up releases the lock, and you can simply pull it straight out.

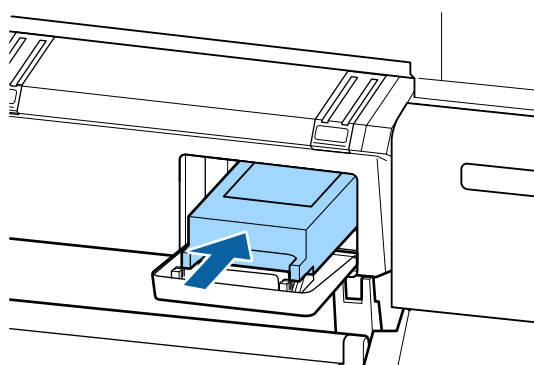


## Maintenance

- 3 Place the used Ink Maintenance Tank in the clear bag included with your new Ink Maintenance Tank, and make sure that the zipper is closed tight.



- 4 Install the new Ink Maintenance Tank.



**Important:**

Do not touch the IC chip on the Ink Maintenance Tank.

Doing so may prevent normal operation and printing.

- 5 Close the ink maintenance tank cover.

## Replacing the Cutter

Replace the cutter when it is not cutting paper cleanly.

Supported cutter

[“Options and Consumable Products” on page 185](#)

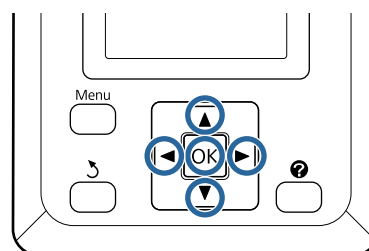
Use a cross-head screwdriver to replace the cutter. Make sure you have a cross-head screwdriver with you before replacing the cutter.



**Important:**

Take care not to damage the cutter blade. Dropping it or knocking it against hard objects may chip the blade.

Buttons that are used in the following settings



- 1 Remove any paper from the printer.
  - [“Removing Roll paper or Roll 1” on page 34](#)
  - [“Removing Cut Sheets” on page 39](#)
  - [“Removing Poster Board” on page 42](#)
- 2 Confirm that the printer is ready to print. Press the ◀▶ buttons to highlight and press the OK button.
 

The Maintenance menu will be displayed.
- 3 Press the ▼/▲ buttons to select **Cutter Maintenance**, and then press the OK button.
- 4 Press the ▼/▲ buttons to highlight **Replace Cutter** and press the OK button.
- 5 The cutter will move to the replacement position.
- 6 Remove the old cutter from the printer.
 

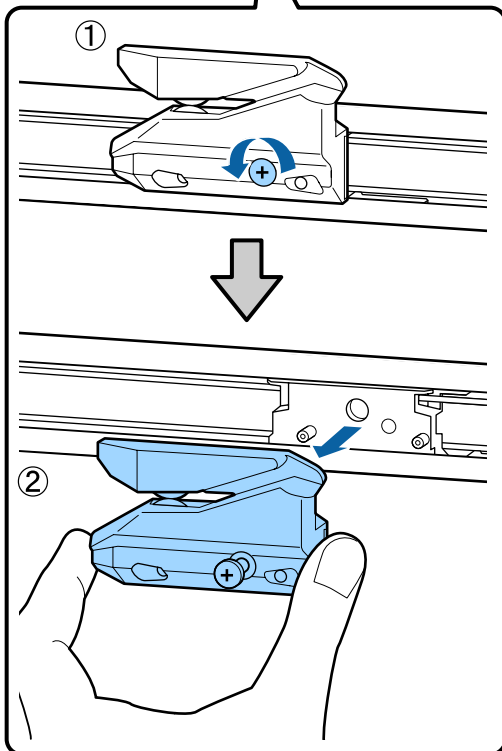
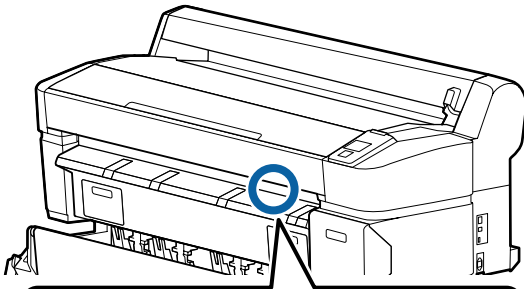
Loosen the screw holding the cutter in place using a cross-head screwdriver and pull the cutter straight out.

Maintenance



**Caution:**

Do not store the cutter within the reach of children. The cutter's blade could cause an injury. Pay careful attention when replacing the cutter.



7

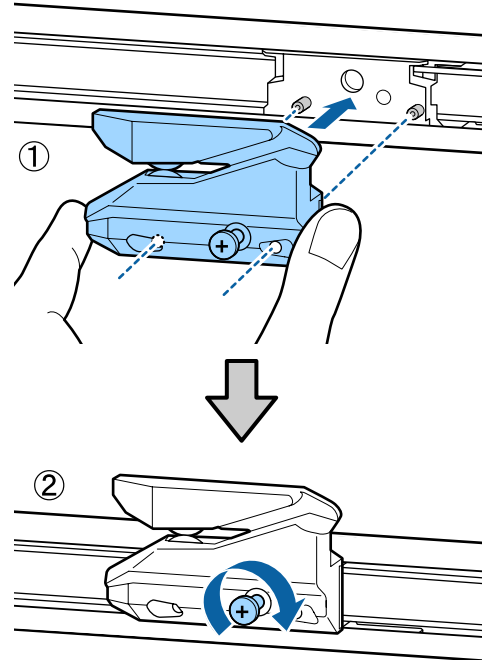
Install the new cutter.

Insert the cutter so that the pin on the printer matches up with the hole on the cutter. Use a cross-head screwdriver to tighten down the screw to hold the cutter in place.



**Important:**

Screw up the cutter firmly, otherwise the cut position may be slightly shifted or skewed.



8

After replacing the cutter, press the OK button.

The cutter will return to its original position.

**Ready** is displayed in the control panel when the process is complete.

## Maintenance

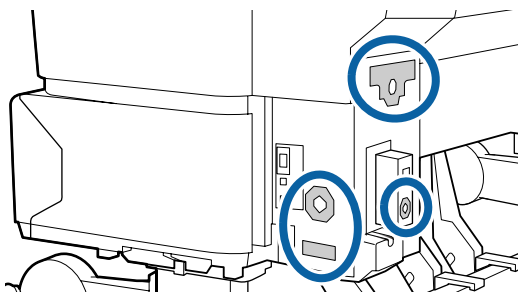
# Cleaning the Printer

To keep your printer in optimum operating condition, clean it regularly (about once a month).

## Cleaning the outside

- 1 Remove any paper from the printer.
- 2 Make sure the printer is turned off and the screen has turned off, and then unplug the power cable from the outlet.
- 3 Use a soft, clean cloth to carefully remove any dust or dirt.

In particular, clean the rear and sides so that dust does not accumulate. (The illustration below shows the printer when the Adobe PostScript 3 Expansion Unit is connected.)



If there is a serious dirt problem, clean it using a soft, clean cloth dampened with a mild detergent. Then wipe off with a dry, soft cloth.

**!** **Important:**  
Never use benzene, thinners, or alcohol to clean the printer. They could cause discoloration and deformities.

## Cleaning the inside




Clean the pressure rollers if prints are smudged or soiled.

Ink and particles of paper adhering to the platen should be removed, as they may otherwise soil the paper.

**!** **Important:**  
Failure to remove dust and particles of paper from the platen could result in clogged nozzles or damage to the print head.

## Cleaning the roller

Follow the steps below to clean the roller by feeding plain paper.

- 1 Turn on the printer, and load it with widest available roll paper.  
  
[“Loading and Removing the Roll Paper” on page 27](#)
- 2 Press the  button followed by the  button.  
  
Paper is fed while the  button is pressed. If the paper is not soiled, cleaning is complete.

Cut the paper after cleaning is done.

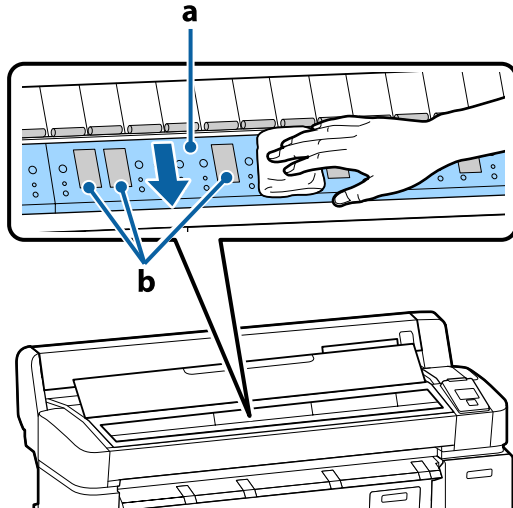
[“Manual cut method” on page 33](#)

## Cleaning Inside the Printer

- 1 Make sure the printer is turned off and the screen has turned off, and then unplug the power cable from the electrical outlet.
- 2 Leave the printer for a minute.
- 3 Open the printer cover and use a soft, clean cloth to carefully clean away any dust or dirt inside the printer.

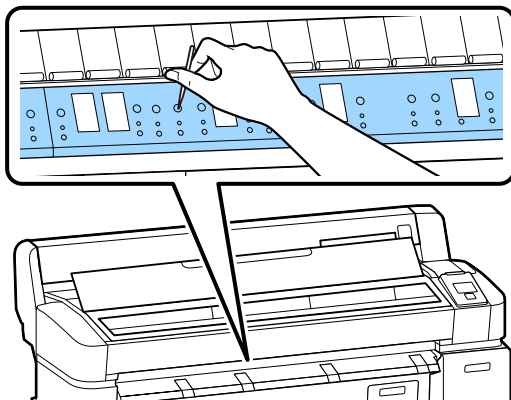
## Maintenance

Thoroughly clean area (a), shown in blue in the illustration below. To avoid spreading the dirt, wipe from the inside to the outside. If there is a serious dirt problem, clean it using a soft, clean cloth dampened with a mild detergent. Then, wipe the inside of the printer with a dry, soft cloth.

**Important:**

- ❑ Be sure not to touch the roller or the ink absorbing areas (b, shown in gray) during cleaning; otherwise, prints may be soiled.
- ❑ Be careful not to touch the ink tubes inside the printer, otherwise, the printer may be damaged.

- 4 If any paper particles (that looks like white powder) accumulates on the platen, use something like a cocktail stick to push it in.



- 5 When you have finished cleaning, close the printer cover.

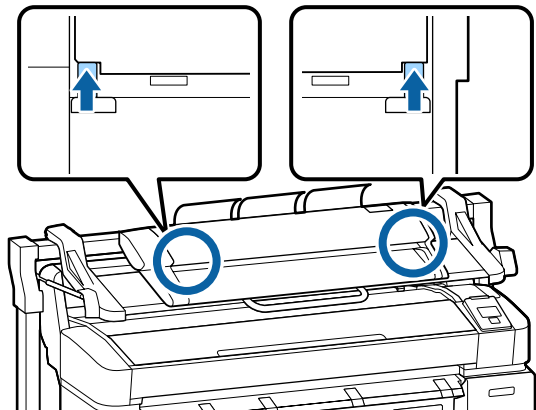
## Cleaning the Multifunction Scanner (option)

If the glass surface or rollers of the scanner are covered in dust or stained, unwanted stripes and lines may appear in the copy results and scanned images.

After cleaning, if you feel that the problem is still not resolved, perform calibration.

[“Calibration” on page 183](#)

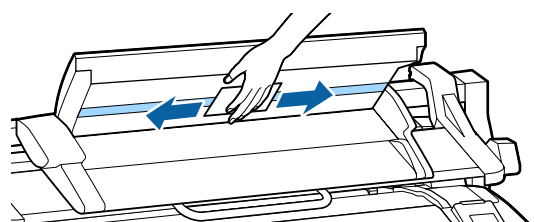
- 1 Turn off the printer and make sure the printer screen has turned off, and then unplug the power cable from the outlet.
- 2 Open the scanner cover.  
Push up the lock levers on both ends of the cover to release the locks and open the cover.



- 3 Clean the glass surface.

- ( Prepare two lint-free clean cloths.  
1 Apply glass cleaner to one cloth, and then use it to wipe the glass surface.  
)

Use a neutral glass cleaner that does not leave streaks.

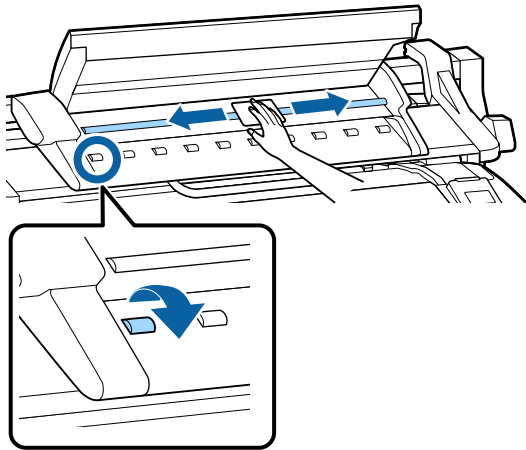


## Maintenance

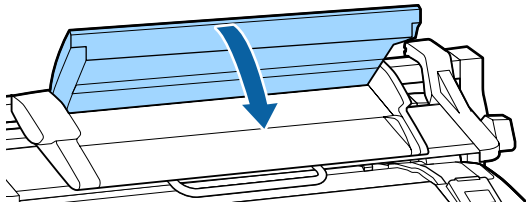
- ( Use the other cloth to wipe away any remaining
- 2 glass cleaner.
- )

### 4 Clean the roller directly under the glass surface.

Apply office-use liquid cleaner to a lint-free clean cloth, and then wipe the roller surface. While rotating the loading roller in front, wipe the roller well.



### 5 Close the scanner cover until you hear a click.



# Problem Solver






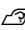
## What to do When a Message is Displayed

If the printer displays one of the messages shown below, refer to the solution listed and take the necessary steps.





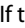
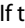
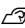
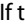

Messages	What to do
Ink Cartridge Error Ink cartridge cannot be recognized. Insert again or replace ink cartridge.	<input type="checkbox"/> Remove and reinsert the ink cartridge. If the message persists, insert a new ink cartridge (do not reinstall the cartridge that caused the error). <a href="#">☞ "How to replace" on page 161</a>
Ink Cartridge Error Ink cartridge cannot be detected. Insert again or replace ink cartridge.	<input type="checkbox"/> Condensation may occur in the ink cartridge. Leave it at room temperature for at least four hours before installing the ink cartridge. <a href="#">☞ "Notes on handling ink cartridges" on page 21</a>
Ink Cartridge Error Please install the correct ink cartridge.	Insert a genuine Epson ink cartridge approved for use in the printer. <a href="#">☞ "Options and Consumable Products" on page 185</a> <a href="#">☞ "Replacing Ink Cartridges" on page 161</a>
Ink Low	The ink is low. Ready a new ink cartridge. <a href="#">☞ "Options and Consumable Products" on page 185</a>
Paper Load Error Paper from Roll 1 cannot be detected.	Remove and then reload the roll paper in question. Before you reset the paper, cut the edge of the roll paper straight horizontally. Cut off any jagged or folded sections.
Paper Load Error Paper from Roll 2 cannot be detected.	If there is a problem with the edge, an automatic paper load error will occur.
F/W Install Error Firmware update failed. Restart the printer.	Turn the printer off, wait for a few minutes, and then turn on the printer again. Update the firmware again. If this message appears on the LCD panel again, contact your dealer or Epson Support.
Command Error Check driver settings.	Press the <b>II</b> button and select <b>Job Cancel</b> to stop printing. Confirm that the printer driver you are using supports this printer.
Reel Unit Error Check Auto Take-up Reel Unit and restart printer.	Turn the printer off, wait for a few minutes, and then turn on the printer again. If this message appears on the LCD panel again, contact your dealer or Epson Support.
Reel Unit Error Connect Auto Take-up Reel Unit cable and restart printer.	After reconnecting the cable connecting the auto take-up reel unit to the printer, turn the printer off and then on again. <a href="#">☞ The Setup Guide supplied with the optional auto take-up reel unit.</a>
Reel Unit Disconnected Auto Take-up Reel Unit is disconnected. Do you continue?	The auto take-up reel unit is not connected. After reconnecting the cable connecting the auto take-up reel unit to the printer, select <b>No</b> to turn the printer off. Turn the printer again after a short pause. <a href="#">☞ The Setup Guide supplied with the optional auto take-up reel unit.</a> To continue printing without using the auto take-up reel unit, select <b>Yes</b> .



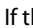

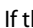
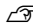

## Problem Solver

Messages	What to do
<p>Take-Up Error Is anything obstructing the take-up reel sensor system?</p>	<p>After checking the take-up reel unit sensor and removing any obstructions, press the OK button.</p> <p>If there is loose paper around the take-up reel unit roll core, set the Auto switch to Off and keep the Manual pressed in the take-up direction to remove the slack. After confirming that the paper is correctly attached, return the Auto switch to its original position and press the OK button.</p> <p> <a href="#">"Using the Auto Take-up Reel Unit (T7270 Only)" on page 51</a></p>
<p>HDD Error HDD used for another printer needs to be formatted. Continue?</p>	<p>Optional hard disk units and Adobe PostScript 3 Expansion Units that have been connected to other devices must be formatted after being connected to this printer. The disk can not be used until it is formatted. To format the disk, use the Setup menu in the control panel.</p> <p> <a href="#">"Setup menu" on page 139</a></p>
<p>Storage Error Check if hard disk unit is correctly installed.</p>	<p>Press the  button and select <b>Job Cancel</b> to stop printing. Remove and then reconnect the optional hard disk unit or Adobe PostScript 3 Expansion Unit.</p> <p>If this message appears on the LCD panel again, contact your dealer or Epson Support.</p> <p>When you are printing via the printer driver included with a printer, you can print regardless of the hard disk status if you select the Advanced tab in the printer driver, open the <b>Settings</b> dialog box of Hard Disk Unit, and select <b>Print only</b>. When the Adobe PostScript 3 Expansion Unit is connected, you cannot print via the PS driver.</p>
<p>Paper Cut Error Remove uncut paper.</p>	<p>After pressing the OK button, pull out the paper and cut along the line of the failed cut using scissors or a third-party cutter.</p> <p>Pull the edge of the paper straight outside the printer.</p>
<p>Data Size Error Data size of print job is too large. Check on print job.</p>	<p>The optional hard disk unit or Adobe PostScript 3 Expansion Unit can store print jobs up to 100 GB in size. To print larger jobs, select the Advanced tab in the printer driver, open the Settings dialog box of <b>Hard Disk Unit</b>, and select <b>Print only</b>; alternatively, ensure that print jobs are less than 100 GB in size.</p>
<p>HDD Store Error Hard disk does not have enough space. See documentation for how to delete stored print jobs.</p>	<p>Unwanted jobs can be deleted in Remote Manager or the LFP HDD Utility.</p> <p> <a href="#">"Saving to and Reprinting on the Optional Hard Disk Unit" on page 67</a></p>
<p>HDD Boot Error Hard disk error. Hard disk cannot be used.</p>	<p>Press the OK button to clear the error from the control panel. When you are printing via the printer driver included with the printer, you can print regardless of the hard disk unit status when you select <b>Print only</b> in the <b>Settings</b> dialog box of Hard Disk Unit. When the Adobe PostScript 3 Expansion Unit is connected, you cannot print via the PS driver.</p> <p>If this message appears on the LCD panel again, contact your dealer or Epson Support.</p>
<p>Copy Error Can not start copy with this printer setting. Refer to manual for details.</p>	<p>The printer will be unable determine the size of the current paper and make enlarged copies when <b>Off</b> is selected for <b>Paper Size Check</b> in the Setup menu. In the Setup menu, set <b>Paper Size Check</b> to <b>On</b>, and then reload the paper.</p> <p> <a href="#">"Setup menu" on page 139</a></p>
<p>Scanner Error Refer to manual for details.</p>	<ul style="list-style-type: none"> <li><input type="checkbox"/> Release the A3/A4 scanner transportation lock and turn the printer and scanner off and then on again.</li> <li><input type="checkbox"/> Turn the devices on and off several times. The scanner can be used after the message is no longer displayed.</li> </ul> <p>If this message appears on the LCD panel again, contact your dealer or Epson Support.</p>
<p>Held Jobs Limit Held job queue full.</p>	<p>The number of held jobs has reached 200.</p> <p>Press the OK button and select <b>Resume All Jobs</b>.</p> <p> <a href="#">"Function Summary" on page 67</a></p>

## Problem Solver

Messages	What to do
<p>Paper Size Error Loaded paper is not supported size.</p>	<p>The loaded paper width is not supported. Press the OK button and remove the paper.</p> <p>Paper for use in the printer must be at least 254 mm wide. Use paper that is at least 254 mm wide.</p> <p>Should this message be displayed with paper of a width that can be used in the printer, you may be able to print if you select <b>Off</b> for <b>Paper Size Check</b> in the Setup menu.</p> <p> <a href="#">"Setup menu" on page 139</a></p>
<p>Paper Sensor Error Loaded paper or print out has a problem. Refer to manual for details.</p>	<p>Press the  button to clear the error from the control panel.</p> <p>If this error is displayed when performing automatic head alignment, check the following items.</p> <ul style="list-style-type: none"> <li><input type="checkbox"/> Does the paper support auto head alignment? Head alignment is not available with transparent or colored media, tracing paper, paper not supported by the auto head alignment function, or paper that is 1.0 mm or more thick.  See the following for information on the types of paper that support auto head alignment.  <a href="#">"Epson Special Media Table" on page 187</a></li> <li><input type="checkbox"/> Are outside light sources interfering with the process? If the printer is exposed to direct sunlight or another light source that causes optical interference, shade the printer from these sources.</li> <li><input type="checkbox"/> Are the default values selected for both <b>Platen Gap</b> and <b>Less Head Scuffing</b>? Restore both items to their default values.</li> <li><input type="checkbox"/> Are some print head nozzles clogged? Perform head cleaning.  <a href="#">"Head Cleaning" on page 157</a></li> </ul> <p>If this error is displayed in circumstances other than those listed above, check that the printer supports the current paper.</p>
<p>Roll Setting Error Specified roll paper is not loaded. Continue to print with paper currently loaded?</p>	<p>In <b>Source</b> of the printer driver, roll paper which is not loaded is selected.</p> <p>If the OK button is pressed, the printer is forced to print using the loaded roll paper.</p> <p>If the  button is pressed, paper can be loaded.</p>
<p>Paper Type Error Cannot switch to specified roll paper because paper type is different. Continue to print with paper currently loaded?</p>	<p>The <b>Media Type</b> setting of the printer driver and the paper type of the roll paper loaded on the printer are different.</p> <p>If the OK button is pressed, the printer prints to the roll paper currently in use.</p> <p>If the  button is pressed, paper can be switched.</p> <p>If you want to switch a roll paper even though it is a different type, open the Setup menu, and then under <b>Roll Switch Condition</b>, change <b>Paper Type</b> to <b>Disable</b>.</p> <p> <a href="#">"Setup menu" on page 139</a></p>
<p>Paper Width Error Cannot switch to specified roll paper because paper width is different. Continue to print with paper currently loaded?</p>	<p>The <b>Source</b> setting of the printer driver and the width of the roll paper loaded on the printer are different.</p> <p>If the OK button is pressed, the printer prints to the roll paper currently in use.</p> <p>If the  button is pressed, paper can be switched.</p> <p>If you want to switch a roll paper even though it is a different paper width, open the Setup menu, and then under <b>Roll Switch Condition</b>, change <b>Paper Width</b> to a setting other than <b>Width Match</b>.</p> <p> <a href="#">"Setup menu" on page 139</a></p>

## Problem Solver

Messages	What to do
<p>Paper Length Error Insufficient remaining amount in specified roll paper. Continue to print with paper currently loaded?</p>	<p>The remaining amount of roll paper loaded in Roll 1 and Roll 2 is shorter than the print length, so the roll paper cannot be switched.</p> <p>If the OK button is pressed, the printer prints to the roll paper currently in use.</p> <p>If the  button is pressed, paper can be replaced.</p> <p>If you want to print even though remaining amount of roll paper is shorter than the print length, open the Setup menu, and then under <b>Roll Switch Condition</b>, change <b>Paper Length</b> to a setting other than <b>Print Length</b>.</p> <p> <a href="#">"Setup menu" on page 139</a></p>
<p>Roll Switch Error Cannot switch roll paper automatically. Check printer settings. Continue to print with paper currently loaded?</p>	<p>If one of the following settings in the Setup menu is set as follows, roll paper is not switched automatically.</p> <ul style="list-style-type: none"> <li><input type="checkbox"/> <b>Auto Cut</b> is <b>Off</b>.</li> <li><input type="checkbox"/> <b>Auto Loading</b> is <b>Off</b>.</li> </ul> <p>If the OK button is pressed, the printer prints to the roll paper currently in use.</p> <p>If the  button is pressed, paper can be replaced.</p> <p>To enable automatic switching of roll paper, change both settings above to <b>On</b>.</p> <p> <a href="#">"Setup menu" on page 139</a></p>
<p>Firmware Error Firmware mismatch between PS3 Expansion Unit and printer. Refer to manual for details.</p>	<p>Operation is not possible because the versions of firmware of the optional Adobe PostScript 3 Expansion Unit and the firmware of the printer are not compatible.</p> <p>Update both to the latest firmware.</p> <p>The latest firmware can be downloaded from the Epson website.</p>
<p>Information Cannot start copy because non-supported media is loaded. Refer to manual for details.</p>	<p>Load paper that supports large copy/large scan, and then print the copy/scan file again.</p> <p>For paper that supports large copy/large scan, see the following.</p> <p> <a href="#">"Epson Special Media Table" on page 187</a></p>
<p>Information Cannot send file. Refer to manual for details.</p>	<p>If you tried to copy or send a large-scan image file to a shared folder, and this message appears, check the following.</p> <ul style="list-style-type: none"> <li><input type="checkbox"/> Are the folder path, username, and password configured correctly in the shared folder address setting of CopyCenter?</li> <li><input type="checkbox"/> Is there already a file with the same name in the save/transfer destination folder?</li> <li><input type="checkbox"/> Is there sufficient empty space in the save/destination folder?</li> </ul> <p>If you tried to send an e-mail, and this message appears, ask your network administrator if the e-mail settings have been configured correctly.</p>
<p>Information Cannot receive mail. Refer to manual for details.</p>	<p>Ask your network administrator if the e-mail settings have been configured correctly.</p>

## Problem Solver

# When a Maintenance Call/Service Call Occurs

Error messages	What to do
Maintenance Request Replace Part Now/Soon XXXXXXXX	<p>A part used in the printer is nearing the end of its service life.</p> <p>Contact your dealer or Epson Support and tell them the maintenance request code.</p> <p>You cannot clear the maintenance request until the part is replaced. A service call occurs if you continue to use the printer.</p>
Call For Service XXXX Error XXXX Power off and then on. If this doesn't work, note the code and call for service.	<p>A call for service occurs when:</p> <ul style="list-style-type: none"> <li><input type="checkbox"/> The power cable is not connected securely</li> <li><input type="checkbox"/> An error that cannot be cleared occurs</li> </ul> <p>When a call for service has occurred, the printer automatically stops printing. Turn off the printer, disconnect the power cable from the outlet and from the AC inlet on the printer, and then reconnect. Turn on the printer again multiple times.</p> <p>If the same call for service is displayed on the LCD panel, contact your dealer or EpsonSupport for assistance. Tell them the call for service code is "XXXX".</p>

## Troubleshooting

### You cannot print (because the printer does not work)

#### The printer does not turn on.

■ **Is the power cable plugged into the electrical outlet or the printer?**

Make sure the power cable is securely plugged into the printer.

■ **Is there a problem with the power outlet?**

Make sure your outlet works by connecting the power cable for another electric product.

#### The printer turns off automatically.

■ **Is Power Off Timer enabled?**

To prevent the printer turning off automatically, select **Off**.

 ["Setup menu" on page 139](#)

#### The printer driver is not installed properly (Windows).

■ **Is the icon for this printer displayed in the Devices and Printers/Printer/Printers and Faxes folder?**

Yes

The printer driver is installed. See "The printer is not connected correctly to the computer" on the next page.

No

The printer driver is not installed. Install the printer driver.

■ **Does the printer port setting match the printer connection port?**

Check the printer port.

Click the **Port** tab in the printer Properties dialog and check the option selected for **Print to following port(s)**.

USB:**USBxxx** (x stands for the port number) for the USB connection

Network: The correct IP address for the network connection

If it is not indicated, the printer driver is not installed correctly. Delete and reinstall the printer driver.

 ["Uninstalling the printer driver" on page 121](#)

#### The printer driver is not installed properly (Mac OS X).

■ **Is the printer added to the printer list?**

Select **System Preferences > Print & Scan** (or **Print & Fax**) from the Apple menu.

If the printer name is not displayed, add the printer.

#### The printer is not communicating with the computer.

■ **Is the cable plugged in properly?**

Confirm that the interface cable is securely connected to both the printer port and the computer. Also, make sure the cable is not broken nor bent. If you have a spare cable, try connecting with the spare cable.

■ **Does the interface cable specification match the specifications for the computer?**

Make sure the interface cable specifications match the specifications for the printer and the computer.

 ["System Requirements" on page 200](#)

■ **When using a USB hub, is it being used correctly?**

In the USB specification, daisy-chains of up to five USB hubs are possible. However, we recommend that you connect the printer to the first hub connected directly to the computer. Depending on the hub you are using, the operation of the printer may become unstable. If this should occur, plug the USB cable directly into your computer's USB port.

## Problem Solver

- **Is the USB hub recognized correctly?**  
Make sure the USB hub is recognized correctly on the computer. If the computer correctly detects the USB hub, disconnect all USB hubs from the computer and connect the printer directly to the computer USB port. Ask the USB hub manufacturer about USB hub operation.

### You cannot print under the network environment.

- **Are the network settings correct?**  
Ask your network administrator for the network settings.

- **Connect the printer directly to the computer using a USB cable, and then try to print.**  
If you are able to print via USB, there is a problem with network settings. Ask your system administrator, or refer to the manual for your network system. If you cannot print via USB, see the appropriate section in this User's Guide.

### The printer has an error.

- **View the message displayed in the control panel.**  
  - ☞ "Control panel" on page 14
  - ☞ "What to do When a Message is Displayed" on page 168

### The printer stops printing.

- **Is the status of print queue Pause? (Windows)**  
If you stop printing or the printer stops printing because of an error, the print queue enters a **Pause** status. You cannot print in this status.  
  
Double-click the printer icon in the **Devices and Printers, Printers, or Printers and Faxes** folder; if printing is paused, open the **Printer** menu and clear the **Pause** check box.

- **Does the current printer status show Printing Paused (Mac OS X)?**  
Open the status dialog for your printer and check whether printing is paused.  
  
(1) Select **System Preferences > Print & Scan** (or **Print & Fax**) > **Open Print Queue** from the **Apple** menu.  
  
(2) Double-click the icon for any printer that is **Paused**.  
  
(3) Click **Resume Printer**.

### Your problem is not listed here.

- **Decide whether the trouble is caused by the printer driver or the application. (Windows)**  
Perform a test print from the printer driver so that you can check that the connection between the printer and computer is correct and the printer driver settings are correct.  
  
(1) Make sure that the printer is turned on and in ready status, and load A4 or larger paper.  
  
(2) Open the **Devices and Printers, Printers, or Printers and Faxes** folder.  
  
(3) Right-click the target printer icon, and select **Properties**.  
  
(4) In the Properties dialog, select the **General** tab and click **Print Test Page**.  
  
After a while the printer starts to print a test page.
  - If the test page is printed correctly, the connection between the printer and computer is correct. Go to the next section.
  - If the test page is not printed correctly, check the items above again.  
  
☞ "You cannot print (because the printer does not work)" on page 173

The "Driver Version" shown on the test page is the version number of the Windows internal driver. This differs from the Epson printer driver version that you installed.

## Problem Solver

## The printer sounds like it is printing, but nothing prints

### The print head moves, but nothing prints.

- Confirm the printer operation.**  
Print a nozzle check pattern. Because a nozzle check pattern can be printed without connecting to a computer, you can check the operations and print status for the printer. [☞ "Checking for clogged nozzles" on page 156](#)

Check the next section if the nozzle check pattern is not printed correctly.

- Is the message Motor Self Adjustment displayed on the control panel's screen?**  
The printer adjusts the internal motor. Wait for a while without turning off the printer.

### The nozzle check pattern is not printed correctly.

- Perform head cleaning.**  
The nozzles may be clogged. Print a nozzle check pattern again after performing head cleaning.  
[☞ "Cleaning the print head" on page 157](#)

- Has the printer been left unused for a long time?**  
If the printer has not been used for a long time, the nozzles may have dried up and have been clogged.

## The prints are not what you expected

### Print quality is poor, uneven, too light, or too dark.

- Are the print head nozzles clogged?**  
If the nozzles are clogged, specific nozzles do not fire ink and the print quality declines. Print a nozzle check pattern.  
[☞ "Checking for clogged nozzles" on page 156](#)

- Was Head Alignment performed?**  
With bidirectional printing, the print head prints while moving left and right. If the print head is misaligned, ruled lines may be misaligned accordingly. If vertical ruled lines are misaligned with bidirectional printing, perform Head Alignment.  
[☞ "Minimizing Print Misalignments \(Head Alignment\)" on page 158](#)

- Are you using a genuine Epson ink cartridge?**  
This printer is developed for use with Epson ink cartridges. If you use non-Epson ink cartridges, printouts may be faint, or the color of the printed image may be changed because the remaining ink level is not correctly detected. Be sure to use the correct ink cartridge.

- Are you using an old ink cartridge?**  
The print quality declines when an old ink cartridge is used. Replace the old ink cartridge with a new one. We recommend using all the ink in the cartridge before the expiry date printed on the package (within a year of installation).

- Have the ink cartridges been shaken?**  
The ink cartridges for this printer contain pigment inks. Shake the cartridges thoroughly before installing them in the printer.  
We also recommend that you remove and shake the installed ink cartridges once every three months to ensure print quality.  
[☞ "Replacing Ink Cartridges" on page 161](#)

- Are the Media Type settings correct?**  
Print quality is affected if the **Media Type** you have selected in the Printer Settings screen (Windows) or Print screen (Mac OS X) in the printer driver does not match with the paper that is loaded in the printer. Be sure to match the media type setting with the paper that is loaded in the printer.

- Did you select a low quality mode (such as Speed) as the Print Quality?**  
If the options selected for **Print Quality > Advanced Settings** place priority on speed, quality will be sacrificed for print speed, potentially causing print quality to decline. To improve print quality, select **Resolution** options that give priority to quality.

- Is color management enabled?**  
Enable color management.  
[☞ "Color Management Printing" on page 109](#)

## Problem Solver

- Have you compared the printing result with the image on the display monitor?**  
Since monitors and printers produce colors differently, printed colors will not always match on-screen colors perfectly.

- Did you open the printer cover while printing?**  
If the printer cover is opened while printing, the print head stops suddenly causing unevenness in the color. Do not open the printer cover while printing.

- Is Ink Low displayed in the control panel?**  
The print quality may decline when the ink is low. We recommend replacing the ink cartridge with a new one. If there is a difference in color after replacing the ink cartridge, try performing head cleaning a few times.

### The color is not exactly the same as another printer.

- Colors vary depending on the printer type due to each printer's characteristics.**  
Because inks, printer drivers, and printer profiles are developed for each printer model, the colors printed by different printer models are not exactly the same.  
You can achieve similar colors with the same color adjustment method or the same gamma setting by using the printer driver.  
["Color Management Printing" on page 109](#)  
To match the color precisely, use the color measurement device to perform color management.

### The print is not positioned properly on the media.

- Have you specified the print area?**  
Check the print area in the settings of the application and the printer.
- Is the correct option selected for Paper Size?**  
If the option selected for **Paper Size** in the printer driver does not match the paper loaded in the printer, the print may not be in the correct position or some of the data may be printed off the paper. In this case, check the print settings.

- Is the paper skewed?**  
If **Off** is selected for **Media Skew Check** in the Setup menu, printing will continue even if the paper is skewed, resulting in data being printed off the paper. Select **On** for **Media Skew Check** in the Setup menu.  
["Setup menu" on page 139](#)

- Does the print data fit within the paper width?**  
Although under normal circumstances printing stops if the print image is wider than the paper, the printer may print outside the bounds of the paper when **Off** is selected for **Paper Size Check** in the Setup menu. Select **On** for **Paper Size Check** in the Setup menu.  
["Setup menu" on page 139](#)

- Is the roll paper margin set to 15 mm or 35 mm?**  
If the value selected for **Roll Paper Margin** in the Setup menu is wider than the margins selected in the application, priority will be given to the value selected for **Roll Paper Margin**. For example, if 15 mm is selected for the left and right margins in the printer Setup menu and the document fills the page, the 15 mm at the left and right sides of the page will not be printed.  
["Printable area" on page 63](#)

### Vertical ruled lines are misaligned.

- Is the print head misaligned? (in bidirectional printing)**  
With bidirectional printing, the print head prints while moving left and right. If the print head is misaligned, ruled lines may be misaligned accordingly. If vertical ruled lines are misaligned with bidirectional printing, perform Head Alignment.  
["Minimizing Print Misalignments \(Head Alignment\)" on page 158](#)

### The printed surface is scuffed or soiled.

- Is the paper too thick or too thin?**  
Check that the paper specifications are compatible with this printer. For information about the media types and appropriate settings for printing on paper from other manufacturers or when using RIP software, see the documentation supplied with the paper, or contact the dealer of the paper or the manufacturer of the RIP.



## Problem Solver

- **Is the paper creased or folded?**  
Do not use old paper or paper with folds in it. Always use new paper.

- **Is the paper wavy or slack?**  
Cut sheets become wavy or slack due to changes in temperature or humidity which may result in the printer being unable to recognize the paper size correctly. Flatten the paper before loading it in the printer, or use new paper.

- **Is the print head scuffing the printed surface?**  
If the surface of the paper is scuffed, select a **Platen Gap** option between **Wide** and **Wider** in the Paper menu.  
[☞ "Paper menu" on page 134](#)

- **Is the print head scuffing the edge of the paper?**  
Select **Top35mm/Bottom15mm** for the **Roll Paper Margin** option in the Setup menu.  
[☞ "Setup menu" on page 139](#)

- **Widen the bottom margin**  
Depending on the paper usage, storage conditions, and the content of the print data, the bottom edge may be scuffed when printing. In this situation it is best to create your data with a wider bottom margin.

- **Does the interior of the printer need cleaning?**  
The rollers may need cleaning. Clean the rollers by feeding and ejecting paper.  
[☞ "Cleaning the inside" on page 165](#)

### You see damage on the print surface

- **Is there dust in the path of Roll 2?**  
Open the rear cover, and then wipe away the dust with a dry, lint-free cloth.  
Opening the rear cover [☞ "Roll paper jam" on page 179](#)

### The paper is creased.

- **Are you using the printer at normal room temperature?**  
Epson special media should be used at normal room temperature (temperature: 15 to 25°C, humidity: 40 to 60%). For information about paper such as thin paper from other manufacturers that requires special handling, see the documentation supplied with the paper.

- **When using non-Epson special media, have you made the paper configuration?**  
When using non-Epson special media, configure the paper characteristics (custom paper) before printing.  
[☞ "Before printing on non-Epson media" on page 196](#)

### The reverse side of the printed paper is soiled.

- **Select On for Paper Size Check in the menus.**  
Although printing normally stops if the print image is wider than the paper, when **Off** is selected for **Paper Size Check** in the Setup menu, the printer may print outside the bounds of the paper, getting ink on the inside of the printer in the process. This can be prevented by selecting **On for Paper Size Check** in the Setup menu.  
[☞ "Setup menu" on page 139](#)

- **Is ink dry on the printed surface?**  
Depending on the printing density and media type, the ink may take a while to dry. Do not stack the paper until the printed surface is dry.  
Also, if you set the **Drying Time per Page** in **Paper Configuration** from the printer driver, you can stop the operation after printing (ejecting and cutting paper) and wait until the ink is dry. See the printer driver help for more details on the Paper Configuration dialog box.  
[☞ "Cleaning the inside" on page 165](#)

### Too much ink is fired.

- **Are the Media Type settings correct?**  
Make sure that the printer driver's **Media Type** settings match the paper that you are using. The amount of ink to be fired is controlled according to the media type. If the settings do not match the paper loaded, too much ink may be fired.

## Problem Solver

- Is the Color Density setting correct?**  
Lower the density of the ink in the **Paper Configuration** dialog box from the printer driver. The printer may be firing too much ink for some paper. See the printer driver help for more details on the Paper Configuration dialog box.

- Are you printing on tracing paper?**  
If too much ink is used when printing in **B&W** on tracing paper, you may get better results by choosing a lower print density in the **Paper Configuration** dialog box or by selecting **Tracing Paper <Low Duty>** for **Media Type**.

### Margins appear in borderless printing.

- Are the settings for the print data in the application correct?**  
Make sure that the paper settings in the application are correct as well as in the printer driver.  
["Borderless Printing" on page 92](#)

- Are the paper settings correct?**  
Make sure that the paper settings of the printer match the paper that you are using.

- Have you changed the amount of enlargement?**  
Adjust the amount of enlargement for borderless printing. Margins may appear if you set the amount of enlargement to **Min**.  
["Borderless Printing" on page 92](#)

- Is the paper stored correctly?**  
The paper may expand or contract if it is not stored correctly so that margins appear even when borderless is set. See the documentation supplied with the paper for more information on the storage method.

- Are you using paper that supports borderless printing?**  
Paper that does not support borderless printing may expand or contract while printing so that margins appear even when borderless is set. We recommend using paper that is designed to support borderless printing.

- Try adjusting the cutter.**  
When there are margins on the top and bottom of the roll paper while performing borderless printing, try performing **Adjust Cut Position**. It may reduce the margins.

["The Maintenance Menu" on page 138](#)

## Feeding or ejecting problems

### Unable to feed or eject paper.

- Is the paper loaded in the correct position?**  
See the following for the correct paper loading positions.  
["Attaching the Roll Paper Adapter" on page 27](#)  
["Loading and Removing Cut Sheets" on page 37](#)  
["Loading and Removing Poster Board" on page 39](#)  
If the paper is loaded correctly, check the condition of the paper that you are using.

- Is the paper loaded in the correct direction?**  
Load cut sheets vertically. If they are not loaded in the correct direction, the paper may not be recognized and an error may occur.  
["Loading and Removing Cut Sheets" on page 37](#)

- Is the paper creased or folded?**  
Do not use old paper or paper with folds in it. Always use new paper.

- Is the paper damp?**  
Do not use paper that is damp. Also, Epson special media should be left in the bag until you intend to use it. If it is left out for a long time, the paper curls up and gets damp so that it does not feed properly.

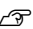
- Is the paper wavy or slack?**  
Cut sheets become wavy or slack due to changes in temperature or humidity which may result in the printer being unable to recognize the paper size correctly. Flatten the paper before loading it in the printer, or use new paper.

## Problem Solver

■ **Is the paper too thick or too thin?**  
Check that the paper specifications are compatible with this printer. For information about the media types and appropriate settings for printing on paper from other manufacturers or when using RIP software, see the documentation supplied with the paper, or contact the dealer of the paper or the manufacturer of the RIP.

■ **Are you using the printer at normal room temperature?**  
Epson special media should be used at normal room temperature (temperature: 15 to 25°C, humidity: 40 to 60%).

■ **Is paper jammed in the printer?**  
Open the printer cover of the printer and check that there are no paper jams or foreign objects in the printer. If paper is jammed, see "Paper jams" below and clear the jammed paper.

■ **Is the paper suction too strong?**  
If you continue to have problems with ejected paper, try lowering the Paper Suction (the amount of suction used to keep the paper on the paper feed path).  "Paper menu" on page 134


### Paper does not collect in the paper basket or is creased or folded when the paper basket is used.

■ **Does the print job require a lot of ink, or is the humidity of the workplace high?**  
Depending on the job and the work environment, paper may not collect in the paper basket. Take the following measures as appropriate.

- ❑ Paper does not collect in the paper basket: Use your hands to lightly press the paper into the paper basket as it is ejected from the printer.
- ❑ The paper folds after it has been cut automatically: Select manual cutting and take the paper in both hands after it is cut.
- ❑ The paper creases and does not collect well in the paper basket: Resume printing after closing the paper basket. Before the paper ejected from the printer touches the floor, take it in both hands close to the paper eject guides and continue to lightly support it until printing is complete.

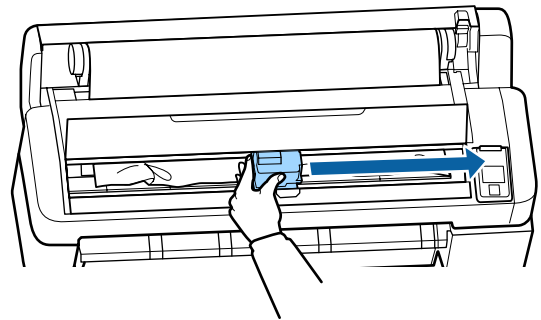
### Roll paper jam


To remove jammed paper, follow the steps below:

 **Caution:**  
If you opened the printer cover in operation, do not touch the area as indicated by the warning labels.

*High temperatures may cause burns.*

- 1 Turn off the printer.
- 2 Turn the printer on.  
After a pause, the message **Open printer cover then tear off and remove jammed portion.** will appear in the display.
- 3 Open the printer cover and move the print head away from the jam.



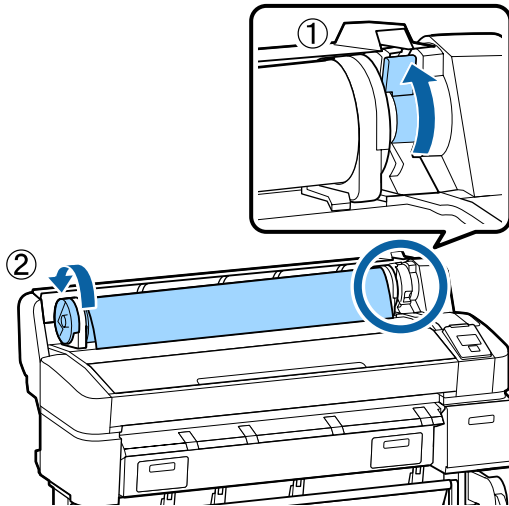
 **Important:**  
Other than when you are removing paper jams, do not touch the print head. If you touch the print head with your hand, static electricity may cause a malfunction.

- 4 Cut the top portion of any torn or crinkled areas using a commercially available cutter.
- 5 After removing the any torn or crinkled area, press the OK button and close the printer cover.
- 6 Remove the cut paper.

**Problem Solver**

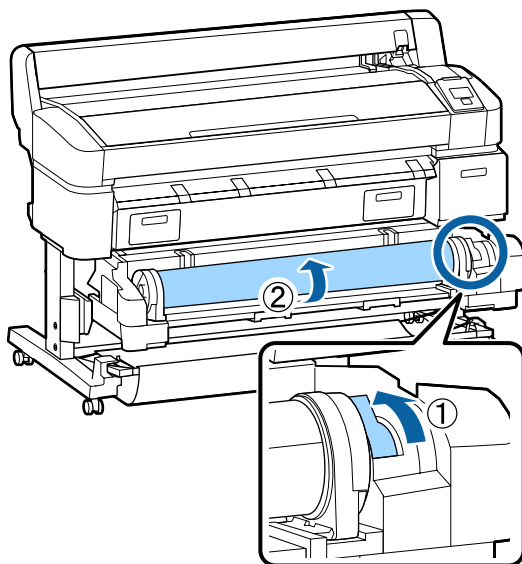
**When using T7270/T5270/T3270  
When roll paper loaded on Roll 1 is jammed  
on the T7270D/T5270D**

Remove the jammed paper via the paper feed slot or the eject slot.

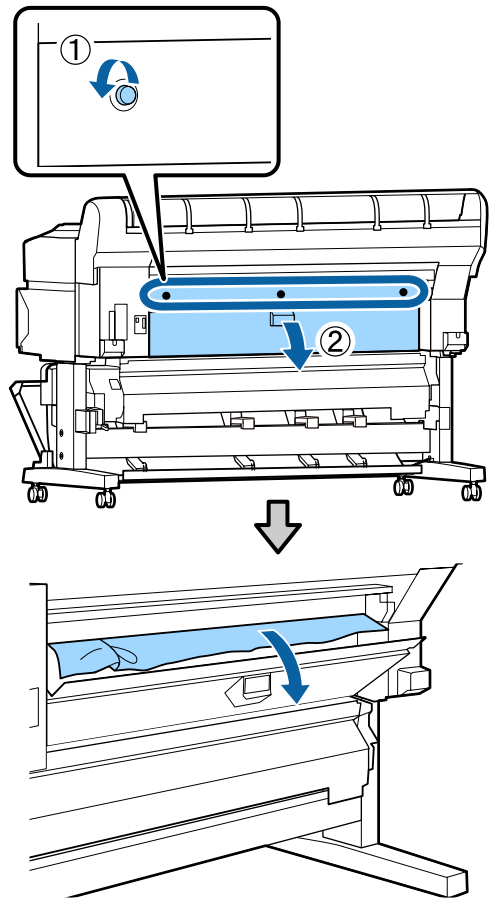


**When roll paper loaded on Roll 2 is jammed  
on the T7270D/T5270D**

( Pull out the Roll 2 unit, and then rewind the roll  
1 paper with your hand.  
)



( When paper is jammed at the rear side, open the  
2 rear cover, and then remove the jammed paper.  
)



( Close the rear cover, and then tighten the three  
3 fixing screws.  
)

7 After removing the paper, press the OK button.  
Reload the paper and resume printing.

[“Attaching the Roll Paper Adapter” on page 27](#)



**Important:**

Before you reload the roll paper, cut the edge straight horizontally. Cut any wavy or creased sections.

If there is a problem at the edge, decreased print quality and paper jams may occur.

## Problem Solver

### Cut sheets jam

To remove jammed paper, follow the steps below:

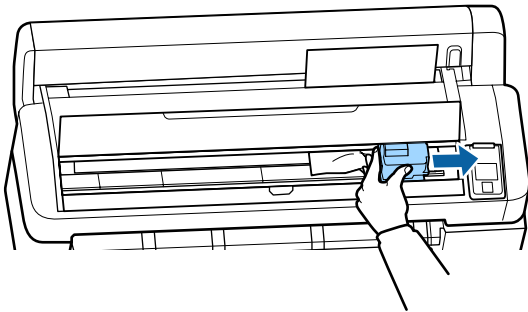


**Caution:**

If you opened the printer cover in operation, do not touch the area as indicated by the warning labels.

High temperatures may cause burns.

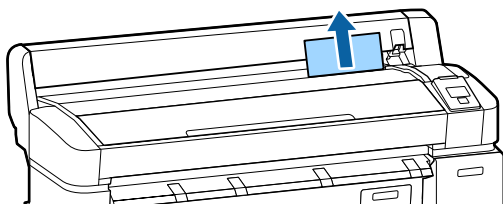
- 1 Turn off the printer.
- 2 Turn the printer on.  
After a pause, the message **Open printer cover then tear off and remove jammed portion.** will appear in the display.
- 3 Open the printer cover and move the print head away from the jam.



**Important:**

Other than when you are removing paper jams, do not touch the print head. If you touch the print head with your hand, static electricity may cause a malfunction.

- 4 Cut the top portion of any torn or crinkled areas using a commercially available cutter.
- 5 After removing the any torn or crinkled area, press the OK button and close the printer cover.
- 6 Remove the cut paper.



- 7 After removing the paper, press the OK button. Reload the paper and resume printing.

 [“Loading and Removing Cut Sheets” on page 37](#)

### Others

#### The control panel display keeps turning off.

■ **Is the printer in sleep mode?**

Sleep mode is exited if a print job is received or the ⏻ button on the control panel is pressed. The delay before the printer enters sleep mode can be selected in the Setup menu.

 [“Setup menu” on page 139](#)

#### Color ink runs out quickly even when printing in the Black&White mode or when printing black data.

■ **Color ink is consumed during the head cleaning process.**

If all nozzles are selected when you perform **Head Cleaning** or **Power Cleaning**, inks of all colors will be used. (This is true even if you are currently printing in black and white.)

 [“Cleaning the print head” on page 157](#)

#### The paper is not cut cleanly.

■ **Replace the cutter.**

If the paper is not cut cleanly, replace the cutter.

 [“Replacing the Cutter” on page 163](#)

#### A light is visible inside the printer.

■ **This is not a failure.**

The light is a light inside the printer.

#### The administrator password has been lost

- Should you forget the administrator password, contact your dealer or Epson Support.

## Problem Solver

### Head cleaning starts when the printer is turned on.

- When turned on after an extended period of disuse, the printer may automatically perform head cleaning to ensure print quality.  
Head cleaning will end after about 10 to 15 minutes.

### Trouble when the optional Multifunction Scanner is connected

#### The Large Copy/Large Scan tab does not appear on the control panel

- Is the power switch of Multifunction Scanner off?**  
Flip the power switch of Multifunction Scanner to the minus (-) side to switch on the power, and then turn the printer off and then on again.
- Is the AC adapter plugged into the electrical outlet and the Multifunction Scanner?**  
After reconnecting the cable of the AC adapter, turn the printer off and then on again.
- Is the connection cable plugged in properly?**  
Confirm that the connection cable is securely connected to the ports of the printer and the Multifunction Scanner. Also, make sure the cable is not broken.

#### Document width is not recognized correctly

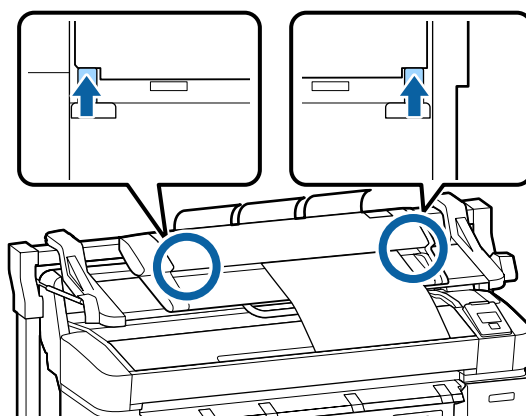
- The rollers or glass surface of the Multifunction Scanner may be soiled.**  
Turn off the printer and open the scanner cover, and then clean the rollers and glass surface.  
["Cleaning the Multifunction Scanner \(option\)" on page 166](#)  
If document width cannot be recognized correctly after cleaning, open the Copy Settings menu, and then set the width of the document under **Width**.  
["Large Copy / Large Scan menu" on page 153](#)

### A document cannot be pulled out / A document is jammed

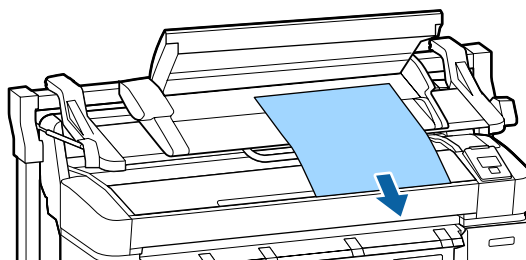
Open the cover of the Multifunction Scanner, and then remove the document.

The following procedure shows how to remove the document.

- Press the buttons on both sides of the cover to release the locks.



- When the locks are released, the cover opens automatically, and you can remove the document.



### Black or white horizontal stripes or uneven colors appear in copied/scanned images

- The rollers of the Multifunction Scanner may be soiled.**  
Turn off the printer and open the scanner cover, and then clean the rollers.  
["Cleaning the Multifunction Scanner \(option\)" on page 166](#)

## Problem Solver

■ **The glass that covers the image sensor may be soiled.**

Turn off the printer and open the scanner cover, and then inspect the top surface of the glass.

If the glass is stained, wipe it.

🔗 ["Cleaning the Multifunction Scanner \(option\)" on page 166](#)

If the glass surface is very scratched, contact your dealer or local Epson Support.

### Scanned image files cannot be printed

■ **Was scanning performed at a resolution at which direct print is available?**

If a resolution at which direct print is not available was chosen for a scanned image file, the file cannot be printed.

Image files that cannot be directly printed can be printed using the following procedure.

(1) Start CopyCenter, and then download the target file to the computer.

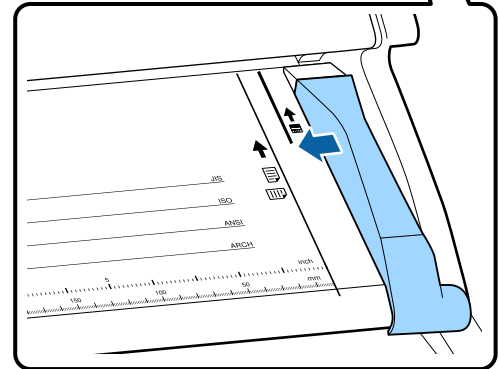
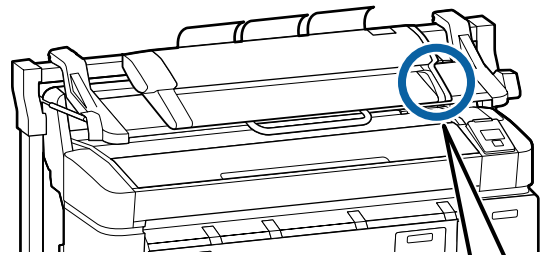
(2) On the computer to which the file was downloaded, open the image file in a supporting application, and then print the file.

### Calibration

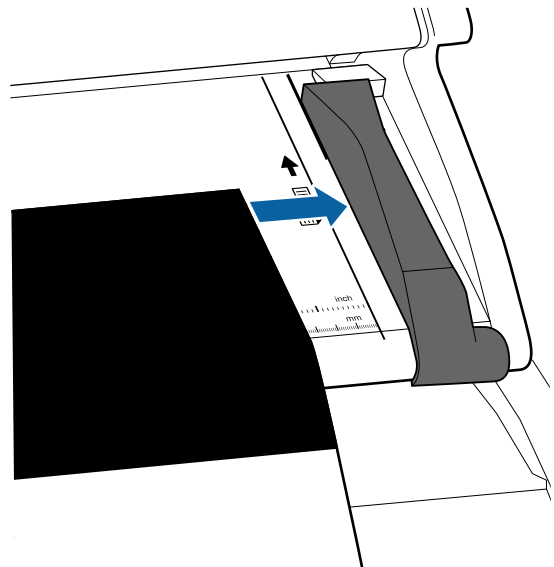
If you cleaned the glass surface and rollers inside the Multifunction Scanner, but horizontal lines are shifted or there are uneven colors in the copy results or scanned images, use the following procedure to calibrate the scanner.

Use the calibration sheet included with the Multifunction Scanner for calibration.

1 Align the loading guide with the calibration sheet set position.



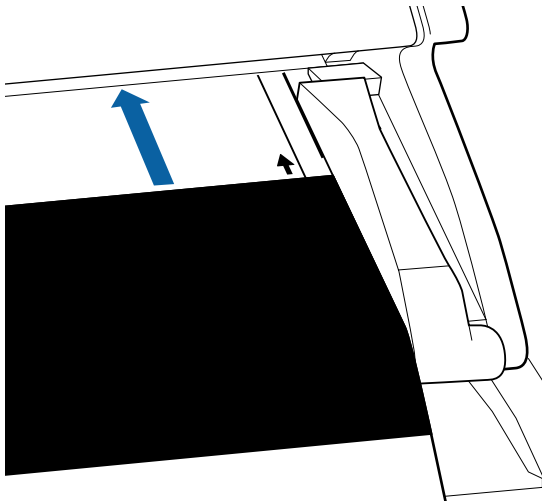
2 Align the right edge with the loading guide so that calibration sheet is loaded from the black side.



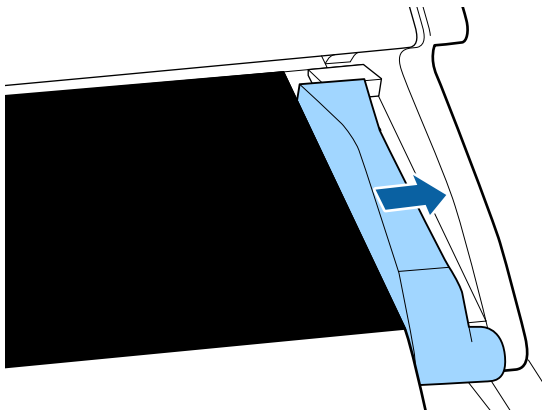
3 Insert the calibration sheet horizontally until its edge touches the inner roller.

## Problem Solver

The calibration sheet is loaded automatically until the read start position.



- 4 After the calibration sheet has been loaded, remove the loading guide.



- 5 At Large copy/Large scan screen, use the ▼/▲ buttons to select **Scanner Maintenance** and press the OK button.
- 6 Use the ▼/▲ buttons to select **Calibration** and press the OK button.
- 7 If the OK button is pressed, calibration starts.

**Important:**

Do not turn off the printer during calibration. If the printer turned off, the Multifunction Scanner may malfunction.

- 8 A message is displayed when calibration is complete. If you follow the message and press the OK button, the calibration sheet is ejected.

**Note:**

Store the calibration sheet so it does not become soiled or folded.

**Feed Adjust (Multifunction Scanner)**

If the print results and document length of copied/scanned files do not match, use the following procedure to adjust document feeding. Differences in length may occur due to the paper type used for printing.

- 1 At Large copy/Large scan screen, use the ▼/▲ buttons to select **Scanner Maintenance** and press the OK button.
- 2 Use the ▼/▲ buttons to select **Feed Adjust** and press the OK button.
- 3 An adjustment setting screen will be displayed. Press the ▼/▲ button to display the target adjustment value, and then press the OK button.

The following section shows how the adjustment values are calculated.

Example) Document length: 50 cm, print result: 50.1 cm

$50/50.1 \times 100 - 100 = -0.1996$ , rounded at the second decimal place

Adjustment value: -0.2

- 4 After the adjustment value has been set, press the II·III button to exit.

**Note:**

The adjustment result is enabled until the next time the adjustment value is changed.



# Appendix

## Options and Consumable Products

The following options and consumable products are available for use with your printer. (As of January, 2014)

For the latest information, see the Epson Web site.

### Ink cartridges

T7270D/T7270/T5270D/T5270/T3270				Explanation
Color	Capacity			
	700 ml	350 ml	110 ml	
Photo Black	T694100	T693100	T692100	Epson recommends the use of genuine Epson ink cartridges. Epson cannot guarantee the quality or reliability of non-genuine ink. The use of non-genuine ink may cause damage that is not covered by Epson's warranties, and under certain circumstances, may cause erratic printer behavior. Information about non-genuine ink levels may not be displayed, and use of non-genuine ink is recorded for possible use in service support. <a href="#">☞ "Replacing Ink Cartridges" on page 161</a>
Cyan	T694200	T693200	T692200	
Magenta	T694300	T693300	T692300	
Yellow	T694400	T693400	T692400	
Matte Black	T694500	T693500	T692500	

### Others

Product	Part number	Explanation
Epson Special Media	<a href="#">☞ "Epson Special Media Table" on page 187</a>	
Ink Maintenance Tank	T619300	Replacement Ink Maintenance Tank for Ink Maintenance Tank which is at the end of its service life. <a href="#">☞ "Replacing Ink Maintenance Tanks" on page 162</a>
Auto Cutter Spare Blade	S902007	See the following section to replace the cutter. <a href="#">☞ "Replacing the Cutter" on page 163</a>
Roll Adapter	C12C811401	This is the same as the roll adapter supplied with the printer.
Internal Print Server (Hard Disk Unit)	C12C848031	Use <a href="#">☞ "Saving to and Reprinting on the Optional Hard Disk Unit" on page 67</a>
Auto Take-up Reel Unit	SCT70TUR	Cannot be connected to models other than the T7270. See the documentation supplied with the auto take-up reel unit for information on installation. Use <a href="#">☞ "Using the Auto Take-up Reel Unit (T7270 Only)" on page 51</a>
Multifunction Module with 36" mount	SCT36SCAN	For use with the T5270 and T5270D printers. Can scan and copy documents up to 36 × 96 inches (914 × 2,438 mm). When used with the included hard disk unit or optional Adobe PostScript 3 Expansion Unit, it can save scanned data, send it by e-mail, and transfer it to shared folders.

## Appendix

Product	Part number	Explanation
Multifunction Module with 44" mount	SCT44SCAN	<p>For use with the T7270 and T7270D printers.</p> <p>Can scan and copy documents up to 36 × 96 inches (914 × 2,438 mm). When used with the included hard disk unit or optional Adobe PostScript 3 Expansion Unit, it can save scanned data, send it by e-mail, and transfer it to shared folders.</p>
Adobe® PostScript® 3™ Expansion Unit	C12C891131	<p>This unit allows you to use the printer as a PostScript printer.</p> <p>For information on using the unit, see the documentation supplied with the Adobe PostScript 3 Expansion Unit.</p>

## Appendix

## Supported Media

We recommend you use the following Epson special media for high-quality printing results.

**Note:**

For information about the media types and appropriate settings for printing on paper other than Epson special media or when using raster image processing (RIP) software, see the documentation supplied with the paper, or contact the dealer of the paper or the manufacturer of the RIP.

### Epson Special Media Table

**Item descriptions**

**Size:** Describes the size for cut sheet media or the width for roll paper.

**Borderless:** Describes whether borderless printing is available.

**Head Alignment:** Describes availability of auto Head Alignment with option of Auto(Bi-D) or Auto(Uni-D).

**Take-up:** Describes available taking up direction when using optional Auto Take-up Reel Unit: "F" means Forward and "B" means Backward.

**Large copy/Large scan:** Describes availability of the Large copy/Large scan function when connecting the optional Multifunction Scanner.

### Roll Paper

**Premium Glossy Photo Paper (250)**

Paper thickness: 0.27 mm      Roll core size: 3 inches

ICC profile: EPSON SCT3000\_5000\_7000\_Series Premium Glossy Photo Paper 250.icc

Size	Borderless	Head Alignment	Take-up		Large Copy/Large Scan
			F	B	
406mm/16"	✓	✓	✓	✓	✓
610mm/24"					
914mm/36"*1					
1118mm/44"*2					

\*1 T3270 is not supported

\*2 T7270/T7270D only are supported

**Premium Semigloss Photo Paper (250)**

Paper thickness: 0.27 mm      Roll core size: 3 inches

ICC profile: EPSON SCT3000\_5000\_7000\_Series Premium Semigloss Photo Paper 250.icc

## Appendix

Size	Borderless	Head Alignment	Take-up		Large Copy/Large Scan
			F	B	
406mm/16"	✓	✓	✓	✓	✓
610mm/24"					
914mm/36"*1					
1118mm/44"*2					

\*1 T3270 is not supported

\*2 T7270/T7270D only are supported

**Premium Luster Photo Paper (260)**

Paper thickness: 0.27 mm Roll core size: 3 inches

ICC profile: EPSON SCT3000\_5000\_7000\_Series Premium Luster Photo Paper 260.icc

Size	Borderless	Head Alignment	Take-up		Large Copy/Large Scan
			F	B	
254mm/10"	✓	✓	-	-	✓
300mm/11.8"					
406mm/16"					
508mm/20"	-	-	✓	✓	
610mm/24"	✓	✓			
914mm/36"*1					
1118mm/44"*2					

\*1 T3270 is not supported

\*2 T7270/T7270D only are supported

**Premium Semimatte Photo Paper (260)**

Paper thickness: 0.27 mm Roll core size: 3 inches

ICC profile: EPSON SC-T3000\_5000\_7000\_Series Premium Semimatte Photo Paper 260.icc

Size	Borderless	Head Alignment	Take-up		Large Copy/Large Scan
			F	B	
406mm/16"	✓	✓	✓	✓	✓
610mm/24"					
914mm/36"*1					
1118mm/44"*2					

## Appendix

\*1 T3270 is not supported

\*2 T7270/T7270D only are supported

### Photo Paper Gloss 250

Paper thickness: 0.25 mm Roll core size: 3 inches

ICC profile: EPSON SCT3000\_5000\_7000\_Series Photo Paper Gloss 250.icc

Size	Borderless	Head Alignment	Take-up		Large Copy/Large Scan
			F	B	
432mm/17"	✓	✓	✓	✓	✓
610mm/24"					
914mm/36"*1					
1118mm/44"*2					

\*1 T3270 is not supported

\*2 T7270/T7270D only are supported

### Premium Glossy Photo Paper (170)

Paper thickness: 0.18 mm Roll core size: 2 inches

ICC profile: EPSON SCT3000\_5000\_7000\_Series Premium Glossy Photo Paper 170.icc

Size	Borderless	Head Alignment	Take-up		Large Copy/Large Scan
			F	B	
420mm(A2)	-	✓	✓	✓	✓
610mm/24"	✓				
914mm/36"*1					
1118mm/44"*2					

\*1 T3270 is not supported

\*2 T7270/T7270D only are supported

### Premium Semigloss Photo Paper (170)

Paper thickness: 0.18 mm Roll core size: 2 inches

ICC profile: EPSON SCT3000\_5000\_7000\_Series Premium Semigloss Photo Paper 170.icc

## Appendix

Size	Borderless	Head Alignment	Take-up		Large Copy/Large Scan
			F	B	
420mm(A2)	-				
610mm/24"	✓	✓	✓	✓	✓
914mm/36"*1					
1118mm/44"*2					

\*1 T3270 is not supported

\*2 T7270/T7270D only are supported

**Enhanced Matte Paper**

Paper thickness: 0.25 mm Roll core size: 3 inches

ICC profile: EPSON SCT3000\_5000\_7000\_Series Enhanced and Archival Matte Paper.icc

Size	Borderless	Head Alignment	Take-up		Large Copy/Large Scan
			F	B	
432mm/17"	✓*3	✓	✓	-	✓
610mm/24"					
914mm/36"*1					
1118mm/44"*2					

\*1 T3270 is not supported

\*2 T7270/T7270D only are supported

\*3 Borderless printing available, but borders may appear or print quality decline due to paper expanding or contracting.

**Doubleweight Matte Paper**

Paper thickness: 0.21 mm Roll core size: 2 inches

ICC profile: EPSON SCT3000\_5000\_7000\_Series Doubleweight Matte Paper.icc

Size	Borderless	Head Alignment	Take-up		Large Copy/Large Scan
			F	B	
610mm/24"	✓	✓	✓*3	-	✓
914mm/36"*1					
1118mm/44"*2					

\*1 T3270 is not supported

\*2 T7270/T7270D only are supported

## Appendix

\*3 Use the tensioner supplied with the optional auto take-up reel unit

### Singleweight Matte Paper

Paper thickness: 0.15 mm Roll core size: 2 inches

ICC profile: EPSON SCT3000\_5000\_7000\_Series Singleweight Matte Paper.icc

Size	Borderless	Head Alignment	Take-up		Large Copy/Large Scan
			F	B	
432mm/17"	✓	-	✓*3	-	✓
610mm/24"					
914mm/36"*1					
1118mm/44"*2					

\*1 T3270 is not supported

\*2 T7270/T7270D only are supported

\*3 Use the tensioner supplied with the optional auto take-up reel unit

### Enhanced Synthetic Paper

Paper thickness: 0.13 mm Roll core size: 2 inches

ICC profile: EPSON SCT3000\_5000\_7000\_Series Enhanced Synthetic Paper.icc

Size	Borderless	Head Alignment	Take-up		Large Copy/Large Scan
			F	B	
610mm/24"	✓*2	-	✓	✓	✓
1118mm/44"*1					

\*1 T7270/T7270D only are supported

\*2 Borderless printing available, but borders may appear or print quality decline due to paper expanding or contracting.

### Enhanced Adhesive Synthetic Paper

Paper thickness: 0.18 mm Roll core size: 2 inches

ICC profile: EPSON SCT3000\_5000\_7000\_Series Enhanced Adhesive Synthetic Paper.icc

Size	Borderless	Head Alignment	Take-up		Large Copy/Large Scan
			F	B	
610mm/24"	✓*2	-	✓	✓	-
1118mm/44"*1					

## Appendix

\*1 T7270/T7270D only are supported

\*2 Borderless printing available, but borders may appear or print quality decline due to paper expanding or contracting.

### Cut sheet

Borderless printing with cut sheets can only be performed with no left and right margins.

#### Premium Glossy Photo Paper

Thickness: 0.27mm

ICC Profile: EPSON SC-T3000\_5000\_7000\_Series Premium Glossy Photo Paper.icc

Size	Borderless	Head Alignment	Large Copy/Large Scan <sup>*3</sup>
Super A3/B	✓ <sup>*1</sup>	✓	✓
A2	-		
US-C	✓ <sup>*1</sup>		

\*1 Borderless printing available, but borders may appear or print quality decline due to paper expanding or contracting.

\*2 Load the cut sheet, and then perform a copy operation.

\*3 When Multifunction Scanner is connected to the T7270/T5270/T3270 only

When the Multifunction Scanner is connected to the T7270D/T5270D, cut sheets are not supported.

#### Premium Semigloss Photo Paper

Thickness: 0.27mm

ICC Profile: EPSON SC-T3000\_5000\_7000\_Series Premium Semigloss Photo Paper.icc

Size	Borderless	Head Alignment	Large Copy/Large Scan <sup>*3</sup>
Super A3/B	✓ <sup>*1</sup>	✓	✓
A2	-		
US-C	✓ <sup>*1</sup>		

\*1 Borderless printing available, but borders may appear or print quality decline due to paper expanding or contracting.

\*2 Load the cut sheet, and then perform a copy operation.

\*3 When Multifunction Scanner is connected to the T7270/T5270/T3270 only

When the Multifunction Scanner is connected to the T7270D/T5270D, cut sheets are not supported.

#### Premium Luster Photo Paper

Thickness: 0.27mm

ICC Profile: EPSON SC-T3000\_5000\_7000\_Series Premium Luster Photo Paper.icc



## Appendix

Size	Borderless	Head Alignment	Large Copy/Large Scan <sup>*3</sup>
Super B	✓ <sup>*1</sup>	✓	✓
A2	-		
US-C	✓ <sup>*1</sup>		

\*1 Borderless printing available, but borders may appear or print quality decline due to paper expanding or contracting.

\*2 Load the cut sheet, and then perform a copy operation.

\*3 When Multifunction Scanner is connected to the T7270/T5270/T3270 only  
When the Multifunction Scanner is connected to the T7270D/T5270D, cut sheets are not supported.

**Archival Matte Paper/Enhanced Matte Paper**

Thickness: 0.26mm

ICC Profile: EPSON SC-T3000\_5000\_7000\_Series Enhanced and Archival Matte Paper.icc

Size	Borderless	Head Alignment	Large Copy/Large Scan
Super A3/B	✓ <sup>*1</sup>	✓	-
A2	-		
US-C	✓ <sup>*1</sup>		

\*1 Borderless printing available, but borders may appear or print quality decline due to paper expanding or contracting.

**Photo Quality Inkjet Paper**

Thickness: 0.12mm

ICC Profile: EPSON SC-T3000\_5000\_7000\_Series Photo Quality Ink Jet Paper.icc

Size	Borderless	Head Alignment	Large Copy/Large Scan
Super A3/B	✓ <sup>*1</sup>	-	-
A2	-		
US-C	✓ <sup>*1</sup>		

\*1 Borderless printing available, but borders may appear or print quality decline due to paper expanding or contracting.

**Enhanced Matte Posterboard**

Thickness: 1.30mm

ICC Profile: EPSON SC-T3000\_5000\_7000\_Series Enhanced Matte Poster Board.icc

**Appendix**

<b>Size</b>	<b>Borderless</b>	<b>Head Alignment</b>	<b>Large Copy/Large Scan</b>
610 × 762 mm (24" × 30")	-	-	-
762 × 1016 mm (30" × 40") *1			

\*1 T3270 not supported

## Appendix

## Usable Commercially Available Paper Size

This printer supports the following paper specifications for non-Epson media.



### Important:

- ❑ Do not use paper that is wrinkled, scuffed, torn, or dirty.
- ❑ Although plain paper and recycled paper manufactured by other companies can be loaded and fed in the printer as long as they meet the following specifications, Epson cannot guarantee the print quality.
- ❑ Although other paper types manufactured by other companies can be loaded in the printer as long as they meet the following specifications, Epson cannot guarantee the paper feeding and print quality.

## Roll Paper

Paper Type	Plain paper and recycled paper
Roll core size	2 inch and 3 inch
Roll paper outer diameter	150 mm or less
Width	<p><b>T7270/T7270D</b> 254 mm (10 inches) to 1,118 mm (44 inches)</p> <p><b>T5270/T5270D</b> 254 mm (10 inches) to 914mm (36 inches)</p> <p><b>T3270</b> 254 mm (10 inches) to 610mm (24 inches)</p>
Thickness	0.08 to 0.5 mm

Available width for borderless printing	254mm/10inch 300mm/11.8inch Super A3/B/329 mm 406mm/16inch 17 inch B2/515 mm A1/594mm 610mm/24inch 728 mm A0/841 mm 914mm/36inch 1030 mm 1118mm/44inch
-----------------------------------------	--------------------------------------------------------------------------------------------------------------------------------------------------------------------------------------------

## Cut sheet

Paper Type	Plain paper and recycled paper
Width	<p><b>T7270/T7270D</b> 210 mm (A4) to 1,118 mm (44 inches)</p> <p><b>T5270/T5270D</b> 210 mm (A4) to 914 mm (36 inches)</p> <p><b>T3270</b> 210 mm (A4) to 610 mm (24 inches)</p>
Length	279.4 to 1,580 mm
Thickness	0.08 to 0.8 mm (Poster Board: 0.8 to 1.5 mm)
Available width for borderless printing	254 mm/10 inch 300 mm/11.8 inch Super A3/B/329 mm 406 mm/16 inch 17 inch B2/515 mm A1/594mm 610mm/24inch 728 mm A0/841 mm 914mm/36inch 1030 mm 1118mm/44inch

## Before printing on non-Epson media

When using non-Epson media (Custom Paper), make the paper configuration according to the paper characteristics before printing. Settings are adjusted as follows.

- ❑ Select **Custom Paper Setting** in the printer Paper menu.

 [“Paper menu” on page 134](#)

- ❑ Save custom paper settings to the printer using EPSON LFP Remote Panel 2.
- ❑ Save custom paper settings created in the printer driver to the computer (Windows).

Save settings using the **Custom Settings** option in the **Advanced** tab.

 [“Adding Media Types” on page 117](#)

When the custom media types are selected both with the printer and in the printer driver **Media Type** menu, priority is given to printer driver settings.

- ❑ Adjusting Settings in the Printer Driver (Mac OS X)

From the Advanced screen, open Paper Configuration dialog and adjust settings as desired.

See the printer driver help for more details.

Detailed adjustments can be made to user media settings using the **Custom Paper Setting** option in the printer Paper menu.

### Note:

- ❑ *Be sure to check the paper characteristics such as paper tension, ink fixating, or paper thickness before setting the custom paper. For the paper's characteristics, check the paper's documentation or with your local dealer.*
- ❑ *Test the print quality with this printer before purchasing a large amount of paper.*
- ❑ *If colors in printed images on the custom paper are uneven, use unidirectional printing. For unidirectional printing, select **Printer Settings** > **Print Quality** (Windows) or **Mode** (Mac OS X) > **Advanced Settings** and clear the **High Speed** check box.*
- ❑ *If you are using the T7270D/T5270D and printing with both Roll 1 and Roll 2, configure them individually by setting the print settings using the **Custom Paper Setting**, even when the paper is the same. If the Custom Paper Setting set by the conditions set in Roll 1 is applied to the same type of paper loaded in Roll 2, but the paper path, paper width, or other print conditions are different, printing will not be performed correctly.*

## Notes When Moving or Transporting the Printer

This section describes precaution when moving and transporting the product.

### Notes When Moving the Printer

This section assumes that the product is being moved to another location on the same floor without traversing stairs, ramps, or lifts. See the following section for information on moving the printer between floors or to another building.

☞ “Notes on Transporting” on page 198



**Caution:**

Do not tilt the product more than 10 degrees forward or back while moving it. Failure to observe this precaution could result in the printer falling over, causing accidents.



**Important:**

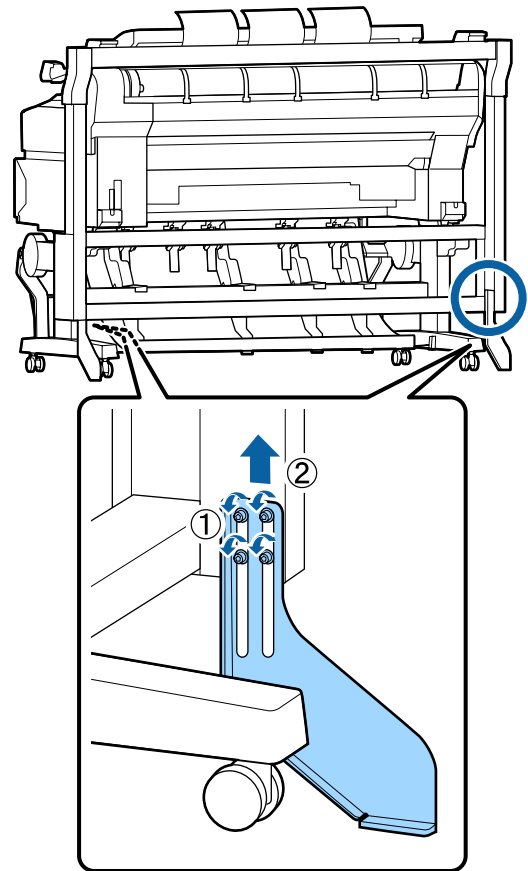
Do not remove the ink cartridges. Failure to observe this precaution could cause the print head nozzles to dry out.

### Getting Ready

- 1 Confirm that the printer is off.
  - 2 Disconnect the power cords and all other cables.
  - 3 Close the paper basket.
- When the optional auto take-up reel unit is installed, remove any paper from it.

4

When the optional Multifunction stand is attached, pull up and fix the fall prevention fixture of the stand.



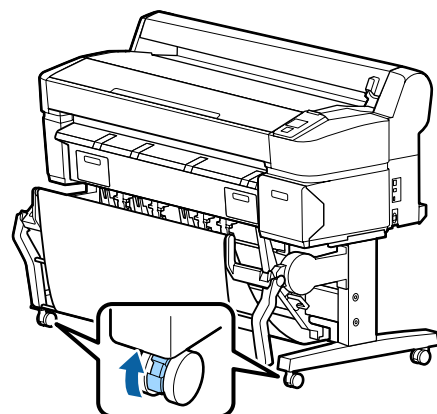
**Important:**

If the printer is moved with the fall prevention fixture lowered, the floor may be scratched.

5

Unlock the stand.

Release the locks of the casters on the left and right legs.



## Appendix

## 6 Move the printer.

**Important:**

Use the casters on the dedicated printer stand only to move the printer indoors a short distance over a level floor. They can not be used for transport.

---

## Notes on Transporting

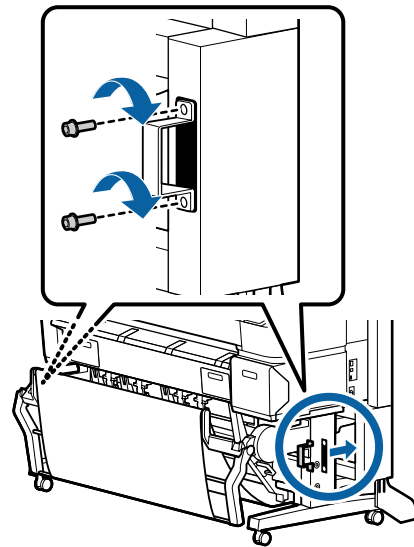
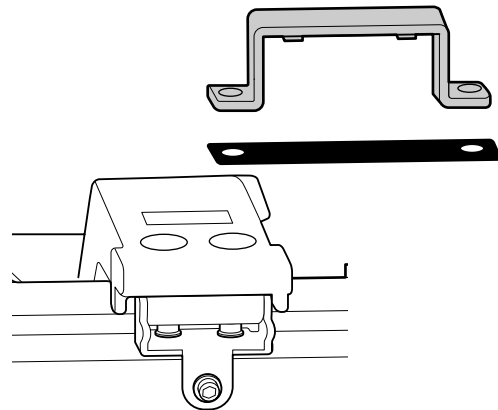
Make the following preparations in advance before transporting the printer.

- Turn off the printer and remove all cables.
- Remove any paper.
- Remove any optional components if they are installed.

To remove the optional components, see the *Setup guide* included with each of them, and then reverse the attachment procedure.

**Important:**

When removing the Multifunction Scanner and stand, first attach the metal fittings and scratch-prevention sheet shown in the following illustration to the stand. After attaching the metal fittings, remove the Multifunction Scanner from the stand. If the order is incorrect, the stand will be damaged.



Furthermore, repack it using the original box and packing materials to protect it from shock and vibration.

Appendix



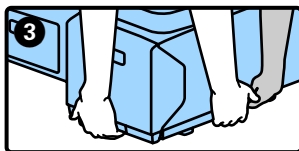
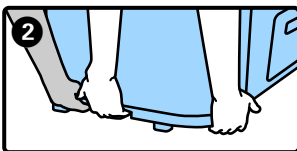
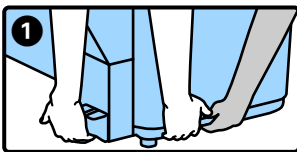
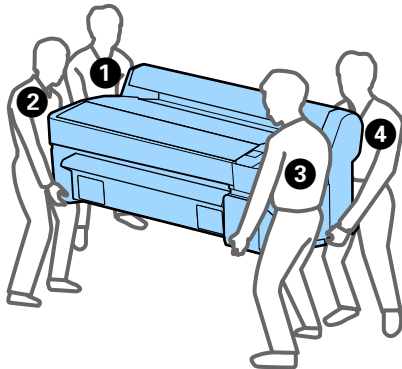
**Caution:**

- ❑ The printer is heavy. When you pack or move the printer, use two or more people for the T3270 and four or more people for the T7270/T7270D/T5270/T5270D when carrying it.
- ❑ When you lift the printer, maintain a natural posture.
- ❑ When you lift the printer, place your hands at the locations indicated in the following illustration.

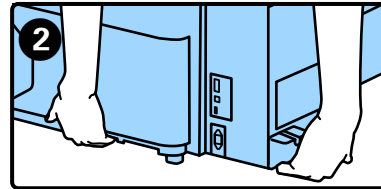
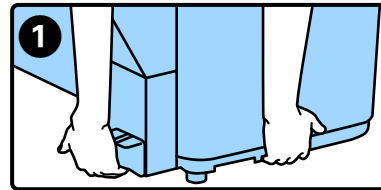
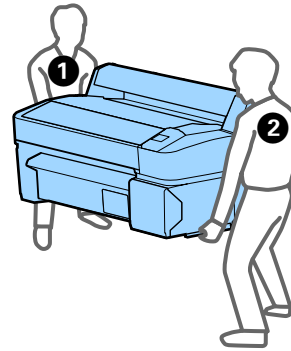
If you lift the printer while holding other sections, you may be injured. For example, you may drop the printer or your fingers may be pinched when lowering the printer.

When you move the printer while packaging it, place your hands at the positions in the illustration, and then lift.

**T7270/T7270D/T5270/T5270D**



**T3270**



**Important:**

- ❑ Only hold the required area; otherwise, the printer may be damaged. Failure to observe this precaution could damage the printer.
- ❑ Move and transport the printer with ink cartridges installed. Do not remove the ink cartridges; otherwise, the nozzles may be clogged and make it impossible to print, or ink may leak.

**Notes when reusing the printer**

After moving or transporting, check if the print head is clogged before use.

"Checking for clogged nozzles" on page 156

## Appendix

## System Requirements

### System Requirements of the Printer Driver

The following chart shows the system requirements to install and use the printer driver included with this printer.

For information on supported operating systems, see the Epson website.

#### Windows

Operating system	Windows XP/Windows XP x64 Windows Vista/Windows Vista x64 Windows 7/Windows 7 x64 Windows 8/Windows 8 x64 Windows 8.1/Windows 8.1 x64 Windows Server 2003/Windows Server 2003 x64/Windows Server 2008/Windows Server 2008 x64/Windows Server 2008 R2/Windows Server 2012
CPU	Core 2 Duo 3.05 GHz or better
Memory	1 GB or more available memory
Available hard disk space	32 GB or more
Interface	Hi-Speed USB-Compatible with the USB 2.0 Specification. Ethernet 10BASE-T, 100BASE-TX/1000BASE-T*
Display resolution	SVGA (800 x 600) or higher resolution

\* Use a shielded twisted-pair cable (Category 5 or higher).

**Note:**

*When installing, you must log in as a user with an computer administrator account (a user belonging to the Administrators group).*

#### Mac OS X

Operating system	Mac OS X 10.5.8 or later
CPU	Core 2 Duo 3.05 GHz or better
Memory	1 GB or more available memory

Available hard disk space	32 GB or more
Display resolution	WXGA (1280 x 800) or higher resolution
Interface	Hi-Speed USB-Compatible with the USB 2.0 Specification. Ethernet 10BASE-T, 100BASE-TX/1000BASE-T* * Use a shielded twisted-pair cable (Category 5 or higher).

### System Requirements for CopyCenter

The following chart shows the system requirements to use CopyCenter.

For information on supported operating systems, see the Epson website.

#### Tablet terminal

Operating system	iOS 4.3 or later Android
------------------	-----------------------------

#### Windows

Operating system	Windows XP/Windows XP x64 Windows Vista/Windows Vista x64 Windows 7/Windows 7 x64 Windows 8/Windows 8 x64 Windows 8.1/Windows 8.1 x64 Windows Server 2003/Windows Server 2003 x64/Windows Server 2008/Windows Server 2008 x64/Windows Server 2008 R2/Windows Server 2012
Recommended browser	Google Chrome/Safari
Display resolution	1024 x 768 or higher

#### Mac OS X

Operating system	Mac OS X 10.5.8 or later
Recommended browser	Safari
Display resolution	1024 x 768 or higher



Appendix

# Specifications Table

Printer Specifications	
Printing method	On-demand ink jet
Nozzle configuration	Black: 360 nozzles x 2 rows x 2 colors (Photo Black and Matte Black)
	Color: 360 nozzles x 2 rows x colors (Yellow, Magenta, and Cyan)
Resolution (maximum)	2880x1440 dpi
Control code	ESC/P raster (undisclosed command) HP-GL/2, HP RTL* <sup>1</sup>
Media feed method	Friction feed
Built-in memory	1GB for Main
Network Functions	IPv4, IPv6, WSD, IPsec/access control, SSL communication, IEEE802.1X
Rated voltage	AC 100 to 240 V
Rated frequency	50 to 60 Hz
Rated current	1.0 to 0.5 A
Power consumption	
In use	T7270: Approximately 64 W T5270: Approximately 60 W T3270: Approximately 52 W T7270D: Approximately 65 W T5270D: Approximately 61 W
Ready mode	T7270/T5270/T3270: Approximately 16 W T7270D/T5270D: Approximately 17 W
Sleep mode	3.0 W or less
Power off	0.5 W or less
Temperature	Operating: 50 to 95 °F (10 to 35 °C) Storage (before unpacking): -4 to 140 °F (-20 to 60 °C) (within 120 hours at 140 °F (60 °C), within a month at 104 °F (40 °C)) Storage (after unpacking): -4 to 104 °F (-20 to 40 °C) (within a month at 104 °F (40 °C))

Printer Specifications	
Humidity	Operating: 20 to 80% (without condensation) Storage (before unpacking): 5 to 85% (without condensation) Storage (after unpacking): 5 to 85% (without condensation)
Operation temperature/humidity (when the hard disk unit or Adobe PostScript 3 Expansion Unit has not been connected)	
Operation temperature/humidity (when the hard disk unit or Adobe PostScript 3 Expansion Unit has been connected)	

## Appendix

Printer Specifications	
Dimension (W x D x H)	T7270: 63.3 x 30 <sup>*2</sup> x 44.4 inches 1608 x 762 <sup>*2</sup> x 1128 mm T5270: 55.3 x 30 <sup>*2</sup> x 44.4 inches 1405 x 762 <sup>*2</sup> x 1128 mm T3270: 41.3 x 30 <sup>*2</sup> x 44 inches 1050 x 762 <sup>*2</sup> x 1117 mm T7270D: 63.3 x 28.9 <sup>*2</sup> x 44.4 inches 1608 x 734 <sup>*2</sup> x 1128 mm T5270D: 55.3 x 28.9 <sup>*2</sup> x 44.4 inches 1405 x 734 <sup>*2</sup> x 1128 mm
Weight <sup>*3</sup>	T7270: Approximately 92 kg T5270: Approximately 84 kg T3270: Approximately 67 kg T7270D: Approximately 133 kg T5270D: Approximately 118 kg

\*1 For information on HP-GL/2 and HP RTL, see the Epson website.

\*2 Paper basket/Large-capacity paper basket closed.

\*3 Excluding ink cartridges.

Ink Specifications	
Type	Special ink cartridges
Pigment ink	Black: Photo Black, Matte Black Color: Yellow, Magenta, Cyan
Use by date	See the date printed on the package (at normal temperature)
Print quality guarantee expiry	1 year (when installed in printer)

Ink Specifications	
Storage temperature	Uninstalled: -4 to 104 °F (-20 to 40 °C) (within 4 days at -4 °F (-20 °C), within a month at 104 °F (40 °C))  Installed in printer: -4 to 104 °F (-20 to 40 °C) (within 4 days at -4 °F (-20 °C), within a month at 104 °F (40 °C))  Transporting: -4 to 140 °F (-20 to 60 °C) (within 4 days at -4 °F, within a month at 104 °F (40 °C), within 72 hours at 140 °F (60 °C),
Cartridge dimensions (W x D x H)	700 ml: 1.6 x 12 x 4.3 inches 40 x 305 x 110 mm  350 ml: 1.6 x 12 x 4.3 inches 40 x 200 x 110 mm  110 ml: 1 x 12 x 4.3 inches 25 x 200 x 110 mm

**Important:**

- We recommend that you remove and shake the installed ink cartridges thoroughly once every three months to ensure print quality.
- The ink freezes if left at below -4 °F (-20°C) for a long time. If it does freeze, leave it at room temperature 77 °F (25°C) for at least four hours (without condensation).
- Do not refill the ink.

## Appendix

Multifunction Scanner specifications	
Read width	6 to 36 inches (153 to 914.4 mm)*
Image margin width (copying/scanning)	3 mm for up, bottom, left, and right
Document	
Size (width)	6 to 38 inches (153 to 965.2 mm)
Size (length)	6 to 96 inches (153 to 2438.4 mm)
Thickness	0.002 to .05 inches (0.05 to 1.3 mm)
Eject direction	Forward/backward (switchable)
Optical resolution	600 dpi
Scanning method	Contact image sensor
Secondary scanning method	Document movement (sheet pass-through) method
Scan resolution	200, 300, 360, 400, 600 dpi
Scan file format	JPEG, PDF
Copy resolution	
Reading	300 dpi
Writing	360 dpi
Copy scaling	25 to 400%
Number of continuous copies	1 to 99 sheets
Sensor	CIS
Light source	Dual LED (RGB)
Rated voltage	100-240 V
Rated frequency	50 to 60
Rated current	2.5 A
Power consumption	
In use	Approximately 50 W
Ready mode	Approximately 25 W
Sleep mode/power off	0.5 W or less

\* The actual width becomes smaller by the size of the "Image margin width".

## Standards and Approvals

## T7270D/T5270D

Safety	UL 60950-1	
	CSA C22.2 No.60950-1	
	Low Voltage Directive 2006/95/EC	EN 60950-1
EMC	FCC part 15 subpart B Class A	
	CAN/CSA-CEI/IEC CISPR 22 Class A	
	AS/NZS CISPR 22 Class A	
	EMC Directive 2004/108/EC	EN 55022 Class A
		EN 55024
		EN 61000-3-2
EN 61000-3-3		

**Warning:**

*This is a class A product. In a domestic environment this product may cause radio interference in which case the user may be required to take adequate measures.*

## T7270/T5270/T3270

Safety	UL 60950-1	
	CAN/CSA C22.2 No.60950-1	
	Low Voltage Directive 2006/95/EC	EN 60950-1
EMC	FCC part 15 subpart B Class B	
	CAN/CSA-CEI/IEC CISPR 22 Class B	
	AS/NZS CISPR 22 Class B	
	EMC Directive 2004/108/EC	EN 55022 Class B
		EN 55024
		EN 61000-3-2
EN 61000-3-3		

---

## Where To Get Help

---

### Technical Support Web Site

Epson's Technical Support Web Site provides help with problems that cannot be solved using the troubleshooting information in your product documentation. If you have a Web browser and can connect to the Internet, access the site at:

<http://support.epson.net/>

If you need the latest drivers, FAQs, manuals, or other downloadables, access the site at:

<http://www.epson.com>

Then, select the support section of your local Epson Web site.

## Contacting Epson Support

---

### Before Contacting Epson

If your Epson product is not operating properly and you cannot solve the problem using the troubleshooting information in your product documentation, contact Epson support services for assistance. If Epson support for your area is not listed below, contact the dealer where you purchased your product.

Epson support will be able to help you much more quickly if you give them the following information:

- Product serial number  
(The serial number label is usually on the back of the product.)
- Product model
- Product software version  
(Click **About**, **Version Info**, or similar button in the product software.)
- Brand and model of your computer
- Your computer operating system name and version
- Names and versions of the software applications you normally use with your product

---

## Help for Users in North America

Epson provides the technical support services listed below.

### Internet Support

Visit Epson's support website at <http://epson.com/support> and select your product for solutions to common problems. You can download drivers and documentation, get FAQs and troubleshooting advice, or e-mail Epson with your questions.

### Speak to a Support Representative

Dial: (562) 276-1300 (U.S.), or (905) 709-9475 (Canada), 6 am to 6 pm, Pacific Time, Monday through Friday. Days and hours of support are subject to change without notice. Toll or long distance charges may apply.

Before you call Epson for support, please have the following information ready:

- Product name
- Product serial number
- Proof of purchase (such as a store receipt) and date of purchase
- Computer configuration
- Description of the problem

**Note:**

*For help using any other software on your system, see the documentation for that software for technical support information.*

### Purchase Supplies and Accessories

You can purchase genuine Epson ink cartridges, ribbon cartridges, paper, and accessories from an Epson authorized reseller. To find the nearest reseller, call 800-GO-EPSON (800-463-7766). Or you can purchase online at <http://www.epsonstore.com> (U.S. sales) or <http://www.epson.ca> (Canadian sales).

## Software License Terms

# Software License Terms

## OPEN SOURCE SOFTWARE LICENSE

1) This printer product includes open source software programs listed in Section 5) according to the license terms of each open source software program.

2) We provide the source code of the GPL Programs, LGPL Programs, Apache License Program and ncftp license Program (each is defined in Section 5) until five (5) years after the discontinuation of same model of this printer product. If you desire to receive the source code above, please see the "Contacting Epson Support" in the User's Guide, and contact the customer support of your region. You shall comply with the license terms of each open source software program.

3) The open source software programs are WITHOUT ANY WARRANTY; without even the implied warranty of MERCHANTABILITY AND FITNESS FOR A PARTICULAR PURPOSE. See the license agreements of each open source software program for more details, which are described on \Manual\Data\oss.pdf in the Printer Software Disc.

4) The license terms of each open source software program are described on \Manual\Data\oss.pdf in the Printer Software Disc.

5) The list of open source software programs which this printer product includes are as follows.

### GNU GPL

This printer product includes the open source software programs which apply the GNU General Public License Version 2 or later version ("GPL Programs").

The list of GPL Programs:  
linux-2.6.35-arm1-epson12  
busybox-1.17.4  
ethtool-2.6.35  
e2fsprogs-1.41.14  
scrub-2.4  
smartmontools-5.40  
WPA Supplicant 0.7.3

### GNU Lesser GPL

This printer product includes the open source software programs which apply the GNU Lesser General Public License Version 2 or later version ("Lesser GPL Programs").

The list of LGPL Programs:  
uclibc-0.9.32  
libusb-1.0.8  
libiConv-1.14

### Apache License

This printer product includes the open source software program "Bonjour" which apply the Apache License Version 2.0 ("Apache License Program").

### Bonjour License

This printer product includes the open source software program "Bonjour" which applies the terms and conditions provided by owner of the copyright to the "Bonjour".

### Net-SNMP license

This printer product includes the open source software program "Net-SNMP" which applies the terms and conditions provided by owner of the copyright to the "Net-SNMP".

### BSD License (Berkeley Software Distribution License)

This printer product includes the open source software program which apply the Berkeley Software Distribution License ("BSD Program").

## Software License Terms

The list of BSD Licence Programs:

busybox-1.17.4  
WPA Supplicant 0.7.3

### Sun RPC License

This printer product includes the open source software program "busybox-1.17.4" which apply the Sun RPC License ("Sun RPC Program").

### ncftp license

This printer product includes the open source software program "ncftp-3.2.4" which applies the terms and conditions provided by owner of the copyright to the "ncftp".

### e2fsprogs license

This printer product includes the open source software program "e2fsprogs-1.41.14" which applies the terms and conditions provided by owner of the copyright to the "e2fsprogs".

### MIT license

This printer product includes the open source software program "jQuery v1.8.2" which apply the MIT License.

---

## Bonjour

This printer product includes the open source software programs which apply the Apple Public Source License Version1.2 or its latest version ("Bonjour Programs"). We provide the source code of the Bonjour Programs pursuant to the Apple Public Source License Version1.2 or its latest version until five (5) years after the discontinuation of same model of this printer product. If you desire to receive the source code of the Bonjour Programs, please see the "Contacting Customer Support" in Appendix or Printing Guide of this User's Guide, and contact the customer support of your region.

You can redistribute Bonjour Programs and/or modify it under the terms of the Apple Public Source License Version1.2 or its latest version.

These Bonjour Programs are WITHOUT ANY WARRANTY; without even the implied warranty of MERCHANTABILITY AND FITNESS FOR A PARTICULAR PURPOSE.

The Apple Public Source License Version1.2 is as follows. You also can see the Apple Public Source License Version1.2 at

<http://www.opensource.apple.com/apsl/>.

APPLE PUBLIC SOURCE LICENSE

Version 2.0 - August 6, 2003

1. General; Definitions. This License applies to any program or other work which Apple Computer, Inc. ("Apple") makes publicly available and which contains a notice placed by Apple identifying such program or work as "Original Code" and stating that it is subject to the terms of this Apple Public Source License version 2.0 ("License"). As used in this License:

1.1 "Applicable Patent Rights" mean: (a) in the case where Apple is the grantor of rights, (i) claims of patents that are now or hereafter acquired, owned by or assigned to Apple and (ii) that cover subject matter contained in the Original Code, but only to the extent necessary to use, reproduce and/or distribute the Original Code without infringement; and (b) in the case where You are the grantor of rights, (i) claims of patents that are now or hereafter acquired, owned by or assigned to You and (ii) that cover subject matter in Your Modifications, taken alone or in combination with Original Code.

1.2 "Contributor" means any person or entity that creates or contributes to the creation of Modifications.

1.3 "Covered Code" means the Original Code, Modifications, the combination of Original Code and any Modifications, and/or any respective portions thereof.

## Software License Terms

1.4 "Externally Deploy" means: (a) to sublicense, distribute or otherwise make Covered Code available, directly or indirectly, to anyone other than You; and/or (b) to use Covered Code, alone or as part of a Larger Work, in any way to provide a service, including but not limited to delivery of content, through electronic communication with a client other than You.

1.5 "Larger Work" means a work which combines Covered Code or portions thereof with code not governed by the terms of this License.

1.6 "Modifications" mean any addition to, deletion from, and/or change to, the substance and/or structure of the Original Code, any previous Modifications, the combination of Original Code and any previous Modifications, and/or any respective portions thereof. When code is released as a series of files, a Modification is: (a) any addition to or deletion from the contents of a file containing Covered Code; and/or (b) any new file or other representation of computer program statements that contains any part of Covered Code.

1.7 "Original Code" means (a) the Source Code of a program or other work as originally made available by Apple under this License, including the Source Code of any updates or upgrades to such programs or works made available by Apple under this License, and that has been expressly identified by Apple as such in the header file(s) of such work; and (b) the object code compiled from such Source Code and originally made available by Apple under this License

1.8 "Source Code" means the human readable form of a program or other work that is suitable for making modifications to it, including all modules it contains, plus any associated interface definition files, scripts used to control compilation and installation of an executable (object code).

1.9 "You" or "Your" means an individual or a legal entity exercising rights under this License. For legal entities, "You" or "Your" includes any entity which controls, is controlled by, or is under common control with, You, where "control" means (a) the power, direct or indirect, to cause the direction or management of such entity, whether by contract or otherwise, or (b) ownership of fifty percent (50%) or more of the outstanding shares or beneficial ownership of such entity.

2. Permitted Uses; Conditions & Restrictions. Subject to the terms and conditions of this License, Apple hereby grants You, effective on the date You accept this License and download the Original Code, a world-wide, royalty-free, non-exclusive license, to the extent of Apple's Applicable Patent Rights and copyrights covering the Original Code, to do the following:

2.1 Unmodified Code. You may use, reproduce, display, perform, internally distribute within Your organization, and Externally Deploy verbatim, unmodified copies of the Original Code, for commercial or non-commercial purposes, provided that in each instance:

(a) You must retain and reproduce in all copies of Original Code the copyright and other proprietary notices and disclaimers of Apple as they appear in the Original Code, and keep intact all notices in the Original Code that refer to this License; and

(b) You must include a copy of this License with every copy of Source Code of Covered Code and documentation You distribute or Externally Deploy, and You may not offer or impose any terms on such Source Code that alter or restrict this License or the recipients' rights hereunder, except as permitted under Section 6.

2.2 Modified Code. You may modify Covered Code and use, reproduce, display, perform, internally distribute within Your organization, and Externally Deploy Your Modifications and Covered Code, for commercial or non-commercial purposes, provided that in each instance You also meet all of these conditions:

(a) You must satisfy all the conditions of Section 2.1 with respect to the Source Code of the Covered Code;

(b) You must duplicate, to the extent it does not already exist, the notice in Exhibit A in each file of the Source Code of all Your Modifications, and cause the modified files to carry prominent notices stating that You changed the files and the date of any change; and



## Software License Terms

(c) If You Externally Deploy Your Modifications, You must make Source Code of all Your Externally Deployed Modifications either available to those to whom You have Externally Deployed Your Modifications, or publicly available. Source Code of Your Externally Deployed Modifications must be released under the terms set forth in this License, including the license grants set forth in Section 3 below, for as long as you Externally Deploy the Covered Code or twelve (12) months from the date of initial External Deployment, whichever is longer. You should preferably distribute the Source Code of Your Externally Deployed Modifications electronically (e.g. download from a web site).

2.3 Distribution of Executable Versions. In addition, if You Externally Deploy Covered Code (Original Code and/or Modifications) in object code, executable form only, You must include a prominent notice, in the code itself as well as in related documentation, stating that Source Code of the Covered Code is available under the terms of this License with information on how and where to obtain such Source Code.

2.4 Third Party Rights. You expressly acknowledge and agree that although Apple and each Contributor grants the licenses to their respective portions of the Covered Code set forth herein, no assurances are provided by Apple or any Contributor that the Covered Code does not infringe the patent or other intellectual property rights of any other entity. Apple and each Contributor disclaim any liability to You for claims brought by any other entity based on infringement of intellectual property rights or otherwise. As a condition to exercising the rights and licenses granted hereunder, You hereby assume sole responsibility to secure any other intellectual property rights needed, if any. For example, if a third party patent license is required to allow You to distribute the Covered Code, it is Your responsibility to acquire that license before distributing the Covered Code.

3. Your Grants. In consideration of, and as a condition to, the licenses granted to You under this License, You hereby grant to any person or entity receiving or distributing Covered Code under this License a non-exclusive, royalty-free, perpetual, irrevocable license, under Your Applicable Patent Rights and other intellectual property rights (other than patent) owned or controlled by You, to use, reproduce, display, perform, modify, sublicense, distribute and Externally Deploy Your Modifications of the same scope and extent as Apple's licenses under Sections 2.1 and 2.2 above.

4. Larger Works. You may create a Larger Work by combining Covered Code with other code not governed by the terms of this License and distribute the Larger Work as a single product. In each such instance, You must make sure the requirements of this License are fulfilled for the Covered Code or any portion thereof.

5. Limitations on Patent License. Except as expressly stated in Section 2, no other patent rights, express or implied, are granted by Apple herein. Modifications and/or Larger Works may require additional patent licenses from Apple which Apple may grant in its sole discretion.

6. Additional Terms. You may choose to offer, and to charge a fee for, warranty, support, indemnity or liability obligations and/or other rights consistent with the scope of the license granted herein ("Additional Terms") to one or more recipients of Covered Code. However, You may do so only on Your own behalf and as Your sole responsibility, and not on behalf of Apple or any Contributor. You must obtain the recipient's agreement that any such Additional Terms are offered by You alone, and You hereby agree to indemnify, defend and hold Apple and every Contributor harmless for any liability incurred by or claims asserted against Apple or such Contributor by reason of any such Additional Terms.

## Software License Terms

7. Versions of the License. Apple may publish revised and/or new versions of this License from time to time. Each version will be given a distinguishing version number. Once Original Code has been published under a particular version of this License, You may continue to use it under the terms of that version. You may also choose to use such Original Code under the terms of any subsequent version of this License published by Apple. No one other than Apple has the right to modify the terms applicable to Covered Code created under this License.

8. NO WARRANTY OR SUPPORT. The Covered Code may contain in whole or in part pre-release, untested, or not fully tested works. The Covered Code may contain errors that could cause failures or loss of data, and may be incomplete or contain inaccuracies. You expressly acknowledge and agree that use of the Covered Code, or any portion thereof, is at Your sole and entire risk. THE COVERED CODE IS PROVIDED "AS IS" AND WITHOUT WARRANTY, UPGRADES OR SUPPORT OF ANY KIND AND APPLE AND APPLE'S LICENSOR(S) (COLLECTIVELY REFERRED TO AS "APPLE" FOR THE PURPOSES OF SECTIONS 8 AND 9) AND ALL CONTRIBUTORS EXPRESSLY DISCLAIM ALL WARRANTIES AND/OR CONDITIONS, EXPRESS OR IMPLIED, INCLUDING, BUT NOT LIMITED TO, THE IMPLIED WARRANTIES AND/OR CONDITIONS OF MERCHANTABILITY, OF SATISFACTORY QUALITY, OF FITNESS FOR A PARTICULAR PURPOSE, OF ACCURACY, OF QUIET ENJOYMENT, AND NON-INFRINGEMENT OF THIRD PARTY RIGHTS. APPLE AND EACH CONTRIBUTOR DOES NOT WARRANT AGAINST INTERFERENCE WITH YOUR ENJOYMENT OF THE COVERED CODE, THAT THE FUNCTIONS CONTAINED IN THE COVERED CODE WILL MEET YOUR REQUIREMENTS, THAT THE OPERATION OF THE COVERED CODE WILL BE UNINTERRUPTED OR ERROR-FREE, OR THAT DEFECTS IN THE COVERED CODE WILL BE CORRECTED. NO ORAL OR WRITTEN INFORMATION OR ADVICE GIVEN BY APPLE, AN APPLE AUTHORIZED REPRESENTATIVE OR ANY CONTRIBUTOR SHALL CREATE A WARRANTY. You acknowledge that the Covered Code is not intended for use in the operation of nuclear facilities, aircraft navigation, communication systems, or air traffic control machines in which case the failure of the Covered Code could lead to death, personal injury, or severe physical or environmental damage.

9. LIMITATION OF LIABILITY. TO THE EXTENT NOT PROHIBITED BY LAW, IN NO EVENT SHALL APPLE OR ANY CONTRIBUTOR BE LIABLE FOR ANY INCIDENTAL, SPECIAL, INDIRECT OR CONSEQUENTIAL DAMAGES ARISING OUT OF OR RELATING TO THIS LICENSE OR YOUR USE OR INABILITY TO USE THE COVERED CODE, OR ANY PORTION THEREOF, WHETHER UNDER A THEORY OF CONTRACT, WARRANTY, TORT (INCLUDING NEGLIGENCE), PRODUCTS LIABILITY OR OTHERWISE, EVEN IF APPLE OR SUCH CONTRIBUTOR HAS BEEN ADVISED OF THE POSSIBILITY OF SUCH DAMAGES AND NOTWITHSTANDING THE FAILURE OF ESSENTIAL PURPOSE OF ANY REMEDY. SOME JURISDICTIONS DO NOT ALLOW THE LIMITATION OF LIABILITY OF INCIDENTAL OR CONSEQUENTIAL DAMAGES, SO THIS LIMITATION MAY NOT APPLY TO YOU. In no event shall Apple's total liability to You for all damages (other than as may be required by applicable law) under this License exceed the amount of fifty dollars (\$50.00).

10. Trademarks. This License does not grant any rights to use the trademarks or trade names "Apple", "Apple Computer", "Mac", "Mac OS", "QuickTime", "QuickTime Streaming Server" or any other trademarks, service marks, logos or trade names belonging to Apple (collectively "Apple Marks") or to any trademark, service mark, logo or trade name belonging to any Contributor. You agree not to use any Apple Marks in or as part of the name of products derived from the Original Code or to endorse or promote products derived from the Original Code other than as expressly permitted by and in strict compliance at all times with Apple's third party trademark usage guidelines which are posted at <http://www.apple.com/legal/guidelinesfor3rdparties.html>.

11. Ownership. Subject to the licenses granted under this License, each Contributor retains all rights, title and interest in and to any Modifications made by such Contributor. Apple retains all rights, title and interest in and to the Original Code and any Modifications made by or on behalf of Apple ("Apple Modifications"), and such Apple Modifications will not be automatically subject to this License. Apple may, at its sole discretion, choose to license such Apple Modifications under this License, or on different terms from those contained in this License or may choose not to license them at all.

## Software License Terms

### 12. Termination.

12.1 Termination. This License and the rights granted hereunder will terminate:

(a) automatically without notice from Apple if You fail to comply with any term(s) of this License and fail to cure such breach within 30 days of becoming aware of such breach;

(b) immediately in the event of the circumstances described in Section 13.5(b); or

(c) automatically without notice from Apple if You, at any time during the term of this License, commence an action for patent infringement against Apple; provided that Apple did not first commence an action for patent infringement against You in that instance.

12.2 Effect of Termination. Upon termination, You agree to immediately stop any further use, reproduction, modification, sublicensing and distribution of the Covered Code. All sublicenses to the Covered Code which have been properly granted prior to termination shall survive any termination of this License. Provisions which, by their nature, should remain in effect beyond the termination of this License shall survive, including but not limited to Sections 3, 5, 8, 9, 10, 11, 12.2 and 13. No party will be liable to any other for compensation, indemnity or damages of any sort solely as a result of terminating this License in accordance with its terms, and termination of this License will be without prejudice to any other right or remedy of any party.

### 13. Miscellaneous.

13.1 Government End Users. The Covered Code is a "commercial item" as defined in FAR 2.101. Government software and technical data rights in the Covered Code include only those rights customarily provided to the public as defined in this License. This customary commercial license in technical data and software is provided in accordance with FAR 12.211 (Technical Data) and 12.212 (Computer Software) and, for Department of Defense purchases, DFAR 252.227-7015 (Technical Data -- Commercial Items) and 227.7202-3 (Rights in Commercial Computer Software or Computer Software Documentation). Accordingly, all U.S. Government End Users acquire Covered Code with only those rights set forth herein.

13.2 Relationship of Parties. This License will not be construed as creating an agency, partnership, joint venture or any other form of legal association between or among You, Apple or any Contributor, and You will not represent to the contrary, whether expressly, by implication, appearance or otherwise.

13.3 Independent Development. Nothing in this License will impair Apple's right to acquire, license, develop, have others develop for it, market and/or distribute technology or products that perform the same or similar functions as, or otherwise compete with, Modifications, Larger Works, technology or products that You may develop, produce, market or distribute.

13.4 Waiver; Construction. Failure by Apple or any Contributor to enforce any provision of this License will not be deemed a waiver of future enforcement of that or any other provision. Any law or regulation which provides that the language of a contract shall be construed against the drafter will not apply to this License.

## Software License Terms

13.5 Severability. (a) If for any reason a court of competent jurisdiction finds any provision of this License, or portion thereof, to be unenforceable, that provision of the License will be enforced to the maximum extent permissible so as to effect the economic benefits and intent of the parties, and the remainder of this License will continue in full force and effect. (b) Notwithstanding the foregoing, if applicable law prohibits or restricts You from fully and/or specifically complying with Sections 2 and/or 3 or prevents the enforceability of either of those Sections, this License will immediately terminate and You must immediately discontinue any use of the Covered Code and destroy all copies of it that are in your possession or control.

13.6 Dispute Resolution. Any litigation or other dispute resolution between You and Apple relating to this License shall take place in the Northern District of California, and You and Apple hereby consent to the personal jurisdiction of, and venue in, the state and federal courts within that District with respect to this License. The application of the United Nations Convention on Contracts for the International Sale of Goods is expressly excluded.

13.7 Entire Agreement; Governing Law. This License constitutes the entire agreement between the parties with respect to the subject matter hereof. This License shall be governed by the laws of the United States and the State of California, except that body of California law concerning conflicts of law.

Where You are located in the province of Quebec, Canada, the following clause applies: The parties hereby confirm that they have requested that this License and all related documents be drafted in English.

Les parties ont exigé que le présent contrat et tous les documents connexes soient rédigés en anglais.

### EXHIBIT A.

"Portions Copyright (c) 1999-2003 Apple Computer, Inc. All Rights Reserved.

This file contains Original Code and/or Modifications of Original Code as defined in and that are subject to the Apple Public Source License Version 2.0 (the 'License'). You may not use this file except in compliance with the License. Please obtain a copy of the License at <http://www.opensource.apple.com/appl/> and read it before using this file.

The Original Code and all software distributed under the License are distributed on an 'AS IS' basis, WITHOUT WARRANTY OF ANY KIND, EITHER EXPRESS OR IMPLIED, AND APPLE HEREBY DISCLAIMS ALL SUCH WARRANTIES, INCLUDING WITHOUT LIMITATION, ANY WARRANTIES OF MERCHANTABILITY, FITNESS FOR A PARTICULAR PURPOSE, QUIET ENJOYMENT OR NON-INFRINGEMENT. Please see the License for the specific language governing rights and limitations under the License."

## Other Software Licenses

### Info-ZIP copyright and license

This is version 2007-Mar-4 of the Info-ZIP license. The definitive version of this document should be available at <ftp://ftp.info-zip.org/pub/infozip/license.html> indefinitely and a copy at <http://www.info-zip.org/pub/infozip/license.html>.

Copyright © 1990-2007 Info-ZIP. All rights reserved.

For the purposes of this copyright and license, "Info-ZIP" is defined as the following set of individuals:

Mark Adler, John Bush, Karl Davis, Harald Denker, Jean-Michel Dubois, Jean-loup Gailly, Hunter Goatley, Ed Gordon, Ian Gorman, Chris Herborth, Dirk Haase, Greg Hartwig, Robert Heath, Jonathan Hudson, Paul Kienitz, David Kirschbaum, Johnny Lee, Onno van der Linden, Igor Mandrichenko, Steve P. Miller, Sergio Monesi, Keith Owens, George Petrov, Greg Roelofs, Kai Uwe Rommel, Steve Salisbury, Dave Smith, Steven M. Schweda, Christian Spieler, Cosmin Truta, Antoine Verheijen, Paul von Behren, Rich Wales, Mike White.

## Software License Terms

Permission is granted to anyone to use this software for any purpose, including commercial applications, and to alter it and redistribute it freely, subject to the above disclaimer and the following restrictions:

1. Redistributions of source code (in whole or in part) must retain the above copyright notice, definition, disclaimer, and this list of conditions.
2. Redistributions in binary form (compiled executables and libraries) must reproduce the above copyright notice, definition, disclaimer, and this list of conditions in documentation and/or other materials provided with the distribution. The sole exception to this condition is redistribution of a standard UnZipSFX binary (including SFXWiz) as part of a self-extracting archive; that is permitted without inclusion of this license, as long as the normal SFX banner has not been removed from the binary or disabled.
3. Altered versions--including, but not limited to, ports to new operating systems, existing ports with new graphical interfaces, versions with modified or added functionality, and dynamic, shared, or static library versions not from Info-ZIP--must be plainly marked as such and must not be misrepresented as being the original source or, if binaries, compiled from the original source. Such altered versions also must not be misrepresented as being Info-ZIP releases--including, but not limited to, labeling of the altered versions with the names "Info-ZIP" (or any variation thereof, including, but not limited to, different capitalizations), "Pocket UnZip," "WiZ" or "MacZip" without the explicit permission of Info-ZIP. Such altered versions are further prohibited from misrepresentative use of the Zip-Bugs or Info-ZIP e-mail addresses or the Info-ZIP URL(s), such as to imply Info-ZIP will provide support for the altered versions.
4. Info-ZIP retains the right to use the names "Info-ZIP," "Zip," "UnZip," "UnZipSFX," "WiZ," "Pocket UnZip," "Pocket Zip," and "MacZip" for its own source and binary releases.