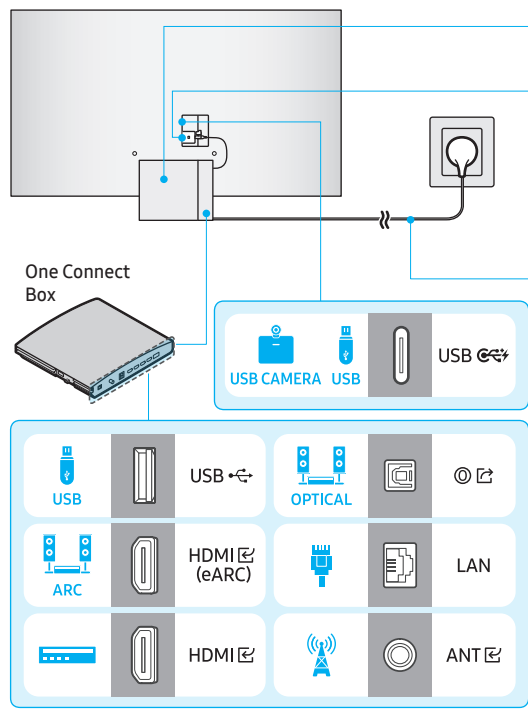


SAMSUNG

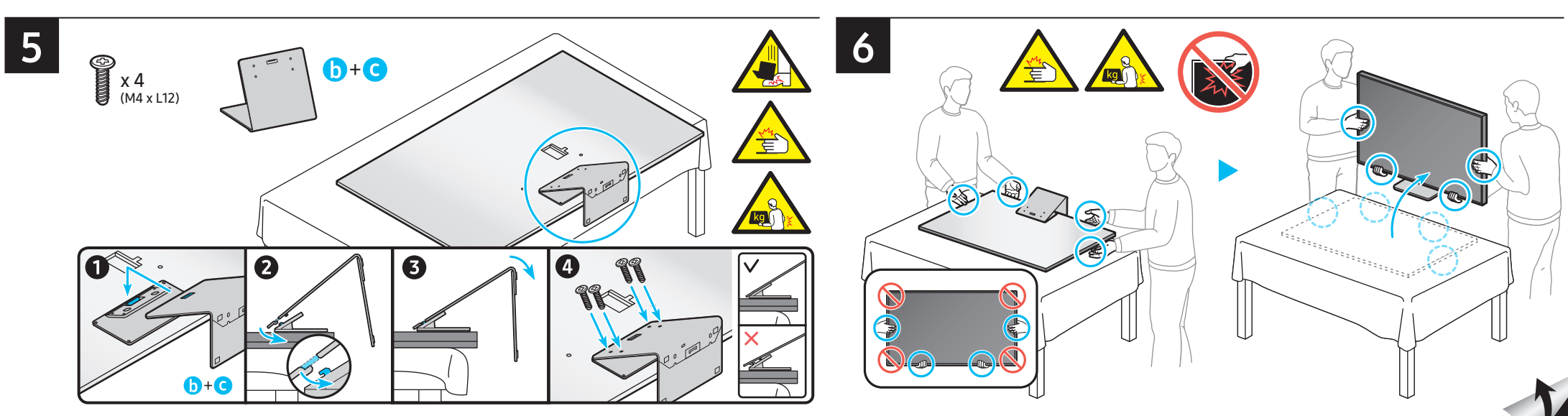
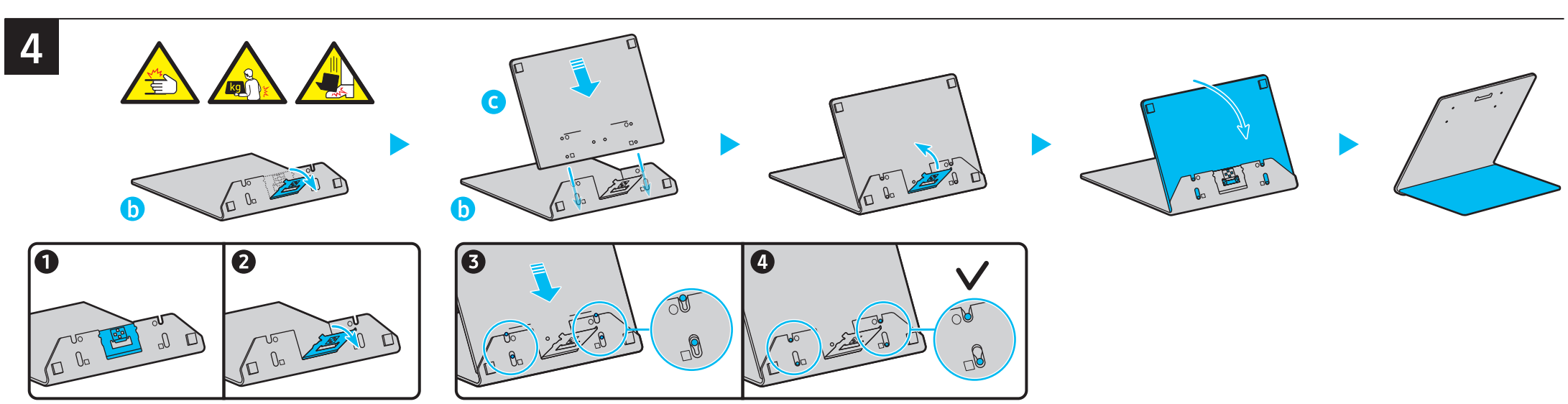
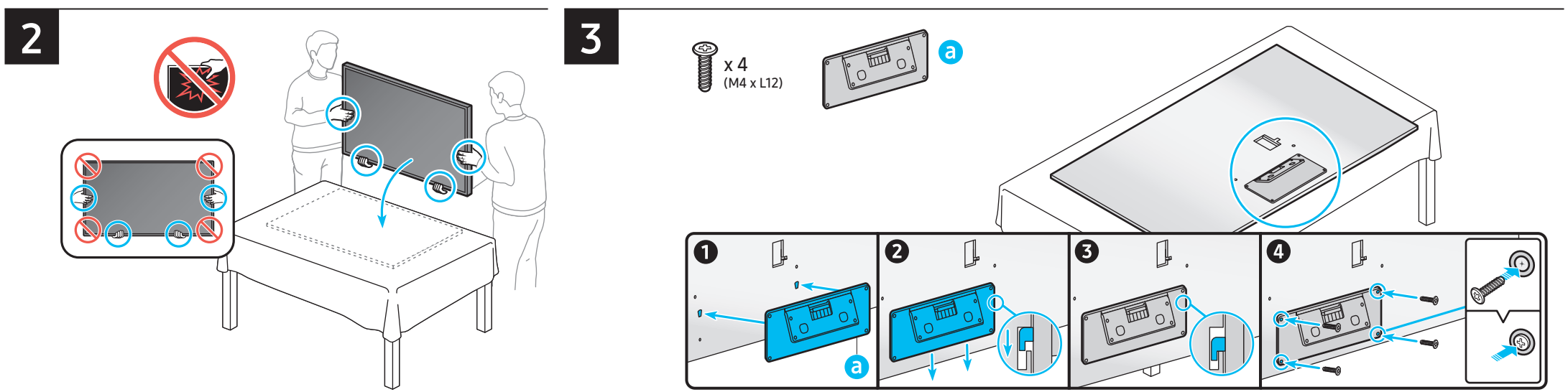
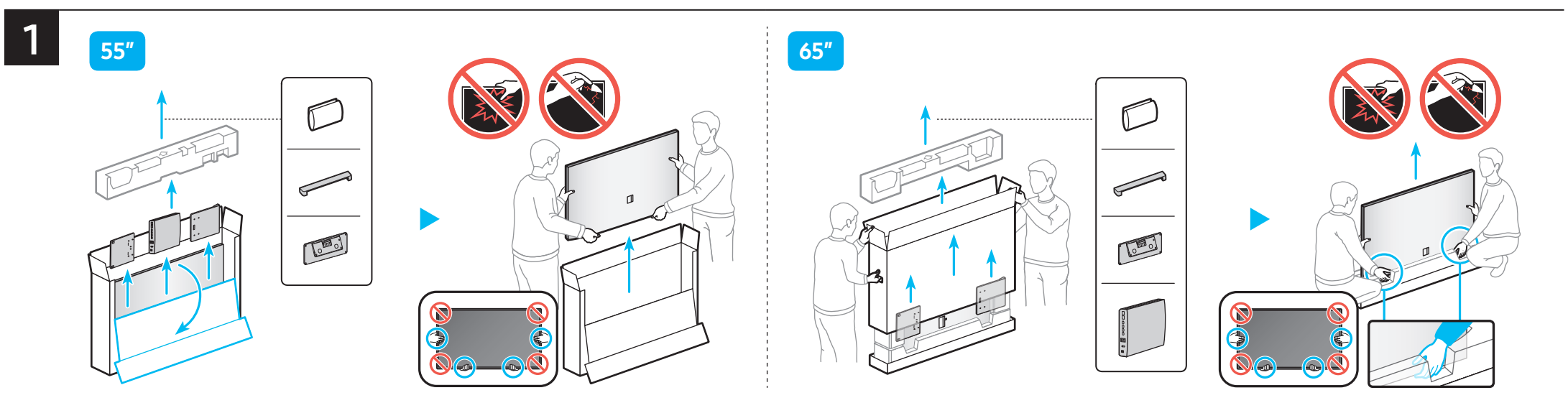
Unpacking and Installation Guide

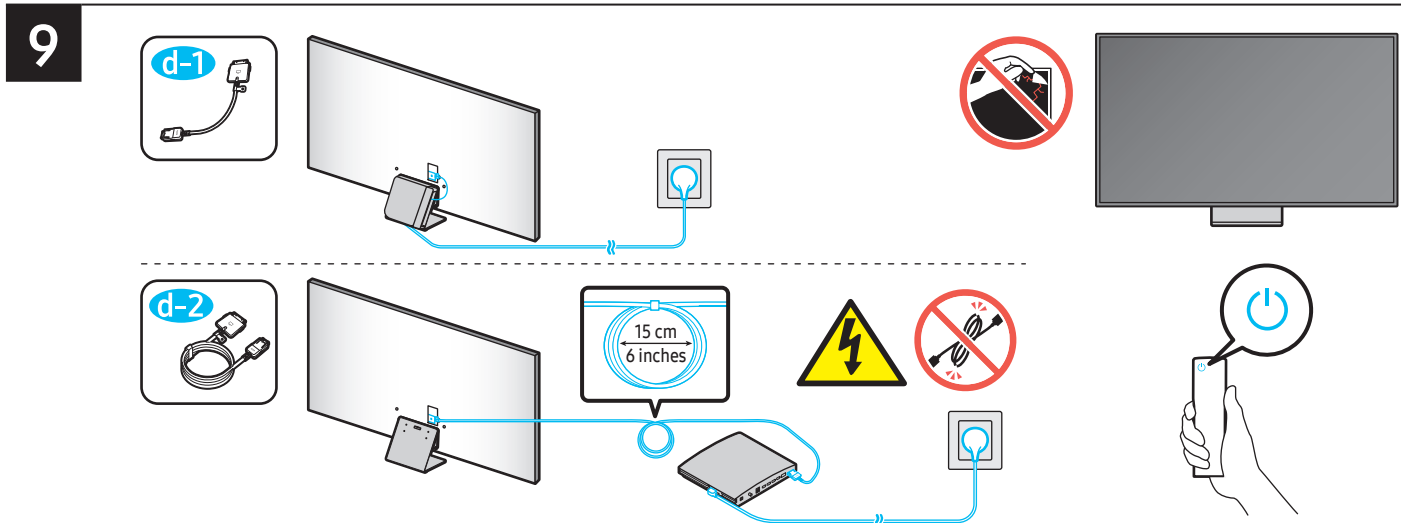
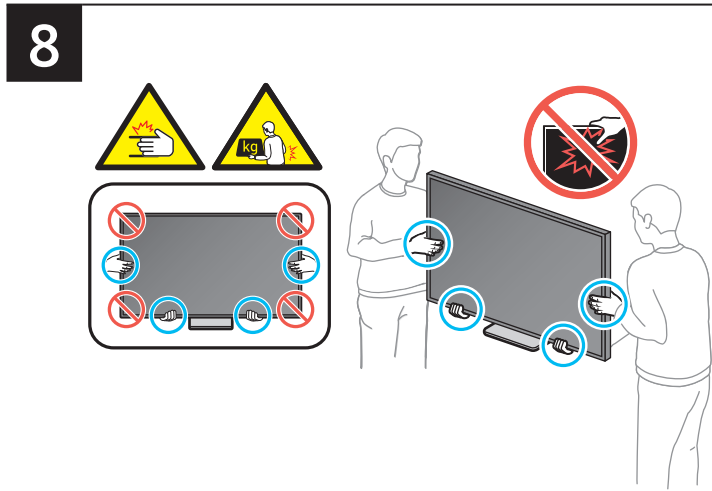
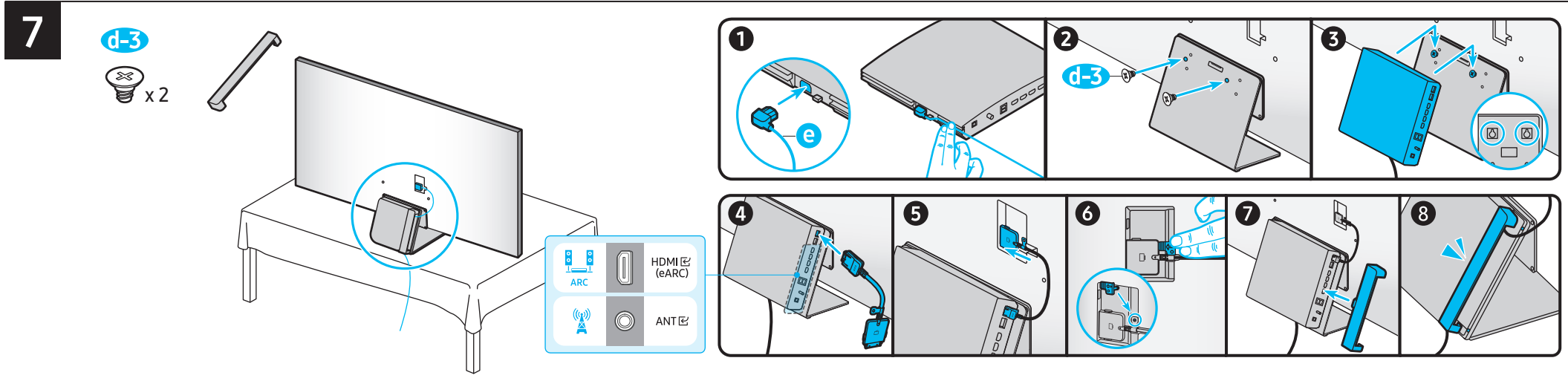


- a** x 4 (M4 x L12)
- b** x 4 (M4 x L12)
- c**
- d-1** One Connect Cable x 2
- d-2**
- d-3** x 2
- e** Power Cable User Manual / Regulatory Guide
- f** Samsung Smart Remote HOLDER-BOLT x 3 (65" only)

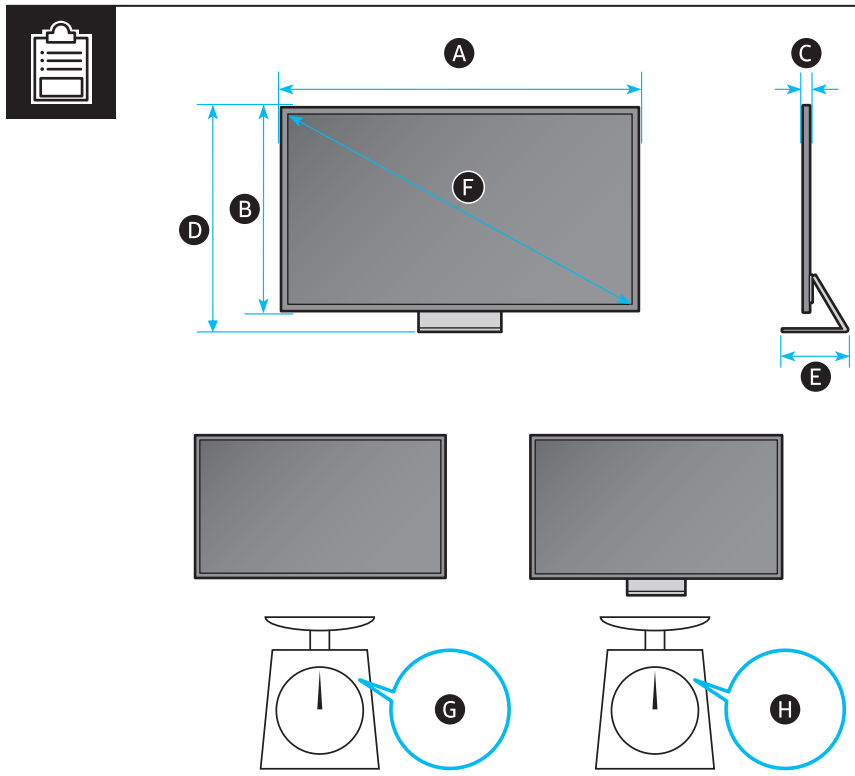
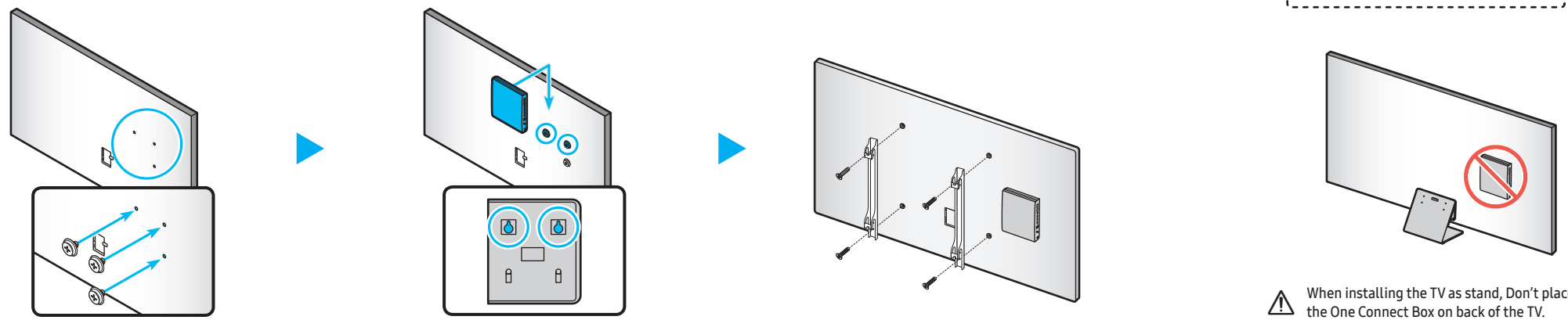


Scan this QR code with your smart phone to see helpful videos.



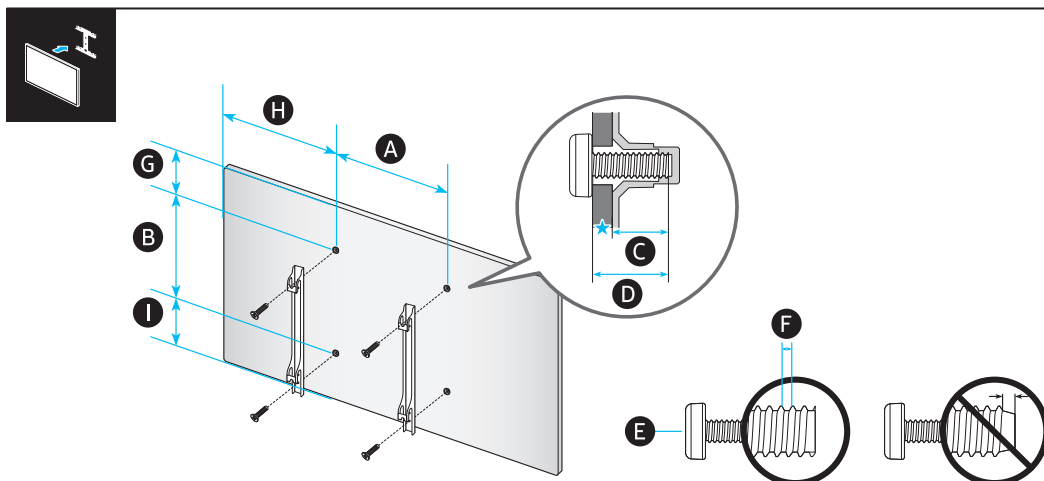


* When installing the TV as wallmount, You can place the One Connect Box as shown below. (65" only)
 * When installing the TV as wallmount using Auto Rotating wallmount, Don't place the One Connect Box on back of the TV.



	A	B	C	D	E	F	G	H
55S95C	48.2 inches (1224.6 mm)	27.8 inches (706.3 mm)	0.4 inches (11.0 mm)	30.4 inches (771.4 mm)	10.5 inches (267.9 mm)	54.6 inches	30.4 lbs (13.8 kg)	52.7 lbs (23.9 kg)
65S95C	56.8 inches (1443.5 mm)	32.7 inches (829.4 mm)	0.4 inches (11.0 mm)	35.2 inches (894.4 mm)	10.5 inches (267.9 mm)	64.5 inches	41.7 lbs (18.9 kg)	63.9 lbs (29.0 kg)

* : 0-9, A-Z



	VESA A x B (mm)	C (mm)	D	E x 4	F (mm)	G (inches)	H (inches)	I (inches)
55S95C	400 x 300	5-6	C + ★	M8	1.25	6.3	16.2	9.5
65S95C						8.6	20.5	12.1

* : 0-9, A-Z

★ : Wall-Mount Bracket