

Additional information

Install in a well-ventilated, dust free area. Do not connect USB cable until software prompt. See the electronic User Guide on the CD-ROM that came with the printer for more information on the following topics:

- Troubleshooting information
- Important safety notices and regulatory information
- Detailed user instructions

This information is also available at <http://www.hp.com/support/ljP2015>

附加信息

请安装在通风、无尘之处。在软件提示之前不要连接 USB 电缆。请参阅打印机附带的光盘中的电子版用户指南，以详细了解以下主题：

- 故障排除信息
- 重要安全注意事项和规章条例信息
- 详细的用户说明

也可访问此网址以获取上述信息：<http://www.hp.com/support/ljP2015>

Informasi tambahan

Pasang di tempat yang memiliki cukup ventilasi dan bersih. Jangan pasang kabel USB hingga diminta oleh perangkat lunak. Untuk informasi lebih lanjut tentang topik berikut, lihat Buku Petunjuk elektronik pada CD-ROM yang menyertai printer:

- Informasi tentang pemecahan masalah
- Pernyataan keselamatan dan informasi tentang peraturan penting
- Petunjuk pengguna lengkap

Informasi ini juga tersedia di <http://www.hp.com/support/ljP2015>

추가 정보

공기가 잘 통하고 먼지가 없는 곳에 설치합니다. 소프트웨어 메시지가 표시될 때까지 USB 케이블을 연결하지 마십시오. 프린터와 함께 제공되는 CD-ROM의 사용 설명서에서 다음 주제에 대한 자세한 정보를 확인할 수 있습니다.

- 문제 해결 정보
- 중요한 안전 통지 및 규제 정보
- 상세한 사용 지침

이 정보는 <http://www.hp.com/support/ljP2015>에서도 확인할 수 있습니다.

ข้อมูลเพิ่มเติม

ติดตั้งในพื้นที่ที่มีการระบายอากาศและปราศจากฝุ่น อย่าเพิ่งเชื่อมต่อสาย USB จนกว่าซอฟต์แวร์จะบอกให้ทำเช่นนั้น ดูคู่มือผู้ใช้ฉบับอิเล็กทรอนิกส์บนแผ่นซีดีรอมที่มาพร้อมกับเครื่องพิมพ์ สำหรับข้อมูลเพิ่มเติมเกี่ยวกับหัวข้อต่อไปนี้:

- ข้อมูลการแก้ไขปัญหาเบื้องต้น
- คำประกาศที่สำคัญเกี่ยวกับความปลอดภัยและข้อมูลเกี่ยวกับการควบคุม
- คำแนะนำโดยละเอียดสำหรับผู้ใช้

นอกจากนั้น ข้อมูลนี้ยังมีอยู่ที่ <http://www.hp.com/support/ljP2015>

其他資訊

安裝在通風良好、乾淨無塵的區域。在軟體提示之前，不要連接 USB 纜線。請參閱光碟中的電子版《使用指南》（隨附於印表機），以獲得下列主題的詳細資訊：

- 疑難排解資訊
- 重要的安全注意事項與法規資訊
- 詳細的使用者指示

您也可以從 <http://www.hp.com/support/ljP2015> 取得上述資訊

Thông tin bổ sung

Lắp đặt ở nơi thoáng khí và không có bụi bẩn. Chỉ nối cáp USB khi phần mềm nhắc nhở. Xem Hướng dẫn Sử dụng điện tử trên đĩa CD-ROM đi kèm với máy in để biết thêm thông tin về các chủ đề sau:

- Thông tin về khắc phục sự cố
- Các thông báo an toàn quan trọng và thông tin điều chỉnh
- Các hướng dẫn sử dụng chi tiết

Thông tin này cũng có sẵn tại địa chỉ <http://www.hp.com/support/ljP2015>

Copyright Information

© 2006 Copyright Hewlett-Packard Development Company, L.P.

Reproduction, adaptation or translation without prior written permission is prohibited, except as allowed under the copyright laws.

The information contained herein is subject to change without notice.

The only warranties for HP products and services are set forth in the express warranty statements accompanying such products and services. Nothing herein should be construed as constituting an additional warranty. HP shall not be liable for technical or editorial errors or omissions contained herein.

Part number: CB366-90903

Edition 1, 09/2006

FCC regulations

This equipment has been tested and found to comply with the limits for a Class B digital device, pursuant to Part 15 of the FCC rules. These limits are designed to provide reasonable protection against harmful interference in a residential installation. This equipment generates, uses, and can radiate radio frequency energy. If this equipment is not installed and used in accordance with the instructions, it might cause harmful interference to radio communications. However, there is no guarantee that interference will not occur in a particular installation. If this equipment does cause harmful interference to radio or television reception, which can be determined by turning the equipment off and on, the user is encouraged to try to correct the interference by one or more of the following measures:

- Reorient or relocate the receiving antenna.
- Increase separation between equipment and receiver.
- Connect equipment to an outlet on a circuit different from that to which the receiver is located.
- Consult your dealer or an experienced radio/TV technician.

Any changes or modifications to the printer that are not expressly approved by HP could void the user's authority to operate this equipment. Use of a shielded interface cable is required to comply with the Class B limits of Part 15 of FCC rules.

版权和许可证

© 2006 Copyright Hewlett-Packard Development Company, L.P.

未经许可事先书面许可，严禁进行任何形式的复制、改编或翻译，除非版权法另有规定。

此处包含的信息如有更改，恕不另行通知。

HP 产品和服务的所有保修事项已在产品和服务所附带的保修声明中列出，此处内容不代表任何额外保修。HP 公司对此处任何技术性或非编辑性的错误或遗漏概不负责。

产品号：CB366-90903

第 1 版，2006 年 9 月

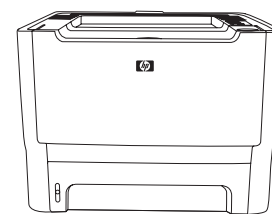
FCC (美国联邦通信委员会) 规章执行

本设备经测试，确认符合 FCC 规章第 15 部分有关 B 级数字设备的限制规定。这些限制旨在对住宅安装中的有害干扰提供合理防护。此设备可产生、使用并会发射无线射频能量。如果不按照说明进行安装和使用，有可能对无线电通讯产生有害的干扰。然而依然不能保证在特定安装中不会产生干扰。如果此设备确实对收音机或电视机的接收造成干扰（可通过开关此设备来确定），建议您采用以下一种或多种措施排除干扰：

- 重新调整接收天线的方向或位置。
- 加大设备和无线电接收设备之间的距离。
- 将设备连接到与接收设备使用不同电路的电源插座上。
- 请咨询代理商或经验丰富的收音机/电视机技术人员。

如果对打印机做任何未经 Hewlett-Packard 明确批准的改装或修改，都可能导致用户操作此设备的授权失效。根据 FCC (美国联邦通信委员会) 规章第 15 部分有关 B 级数字设备的限制规定，用户必须使用屏蔽的接口电缆。

HP LaserJet P2015

**Getting Started Guide****入门指南****Panduan Persiapan****시작 안내서****คู่มือเริ่มต้นการใช้งาน****入門指南****Hướng dẫn Bắt đầu Sử dụng**

© 2006 Hewlett-Packard Development Company, L.P.

www.hp.com



분리배출



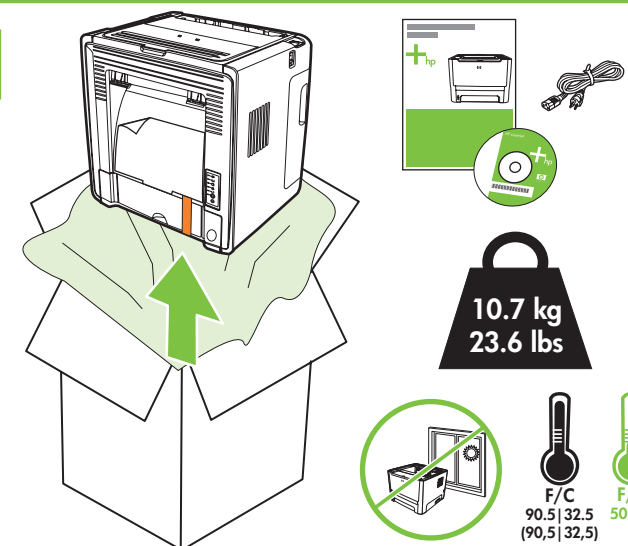
invent

Terdaftar di Deperindag Provinsi DKI Jakarta No : 0009/1.824.51

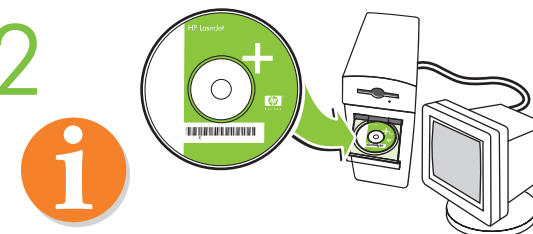


CB366-90903

1

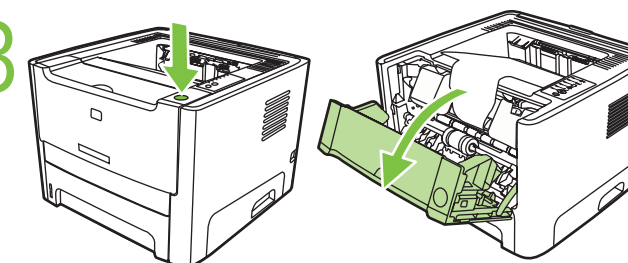


2

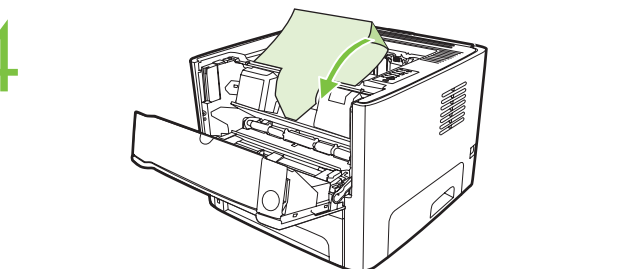


- Insert CD. Follow instructions to complete set-up.
- 插入 CD。按照说明完成安装。
- Masukkan CD. Ikuti petunjuk untuk menyelesaikan konfigurasi.
- CD를 넣습니다. 화면에 표시되는 지침에 따라 설치를 완료합니다.
- ใส่แผ่นซีดี ปฏิบัติตามคำแนะนำเพื่อดำเนินการติดตั้ง
- 插入光碟。依照指示完成安裝。
- Đưa đĩa CD vào. Thực hiện theo các hướng dẫn để hoàn tất cài đặt.

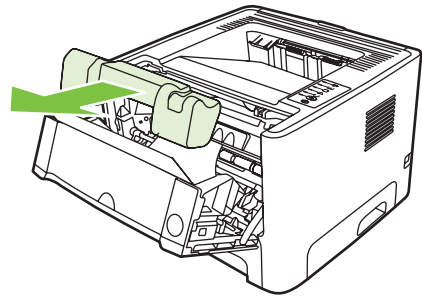
3



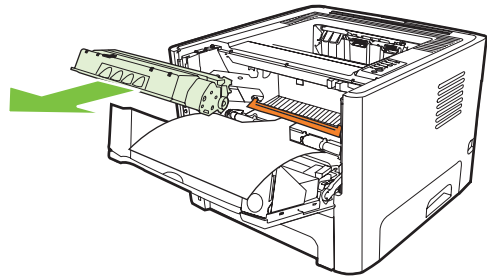
4



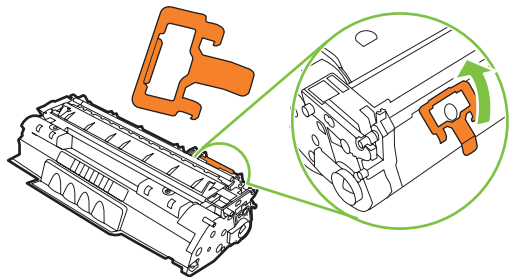
5



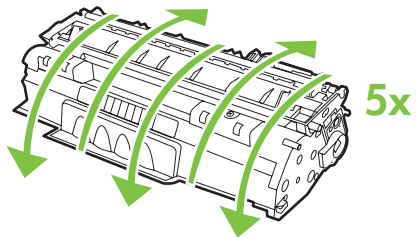
6



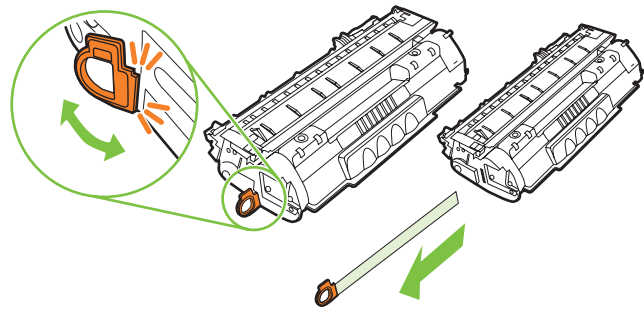
7



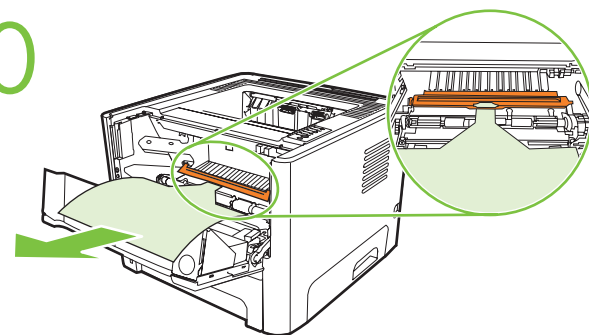
8



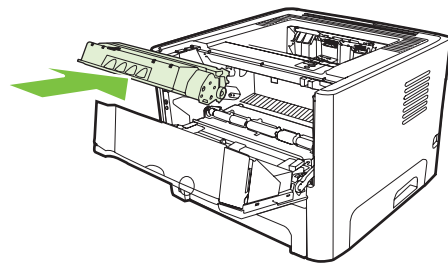
9



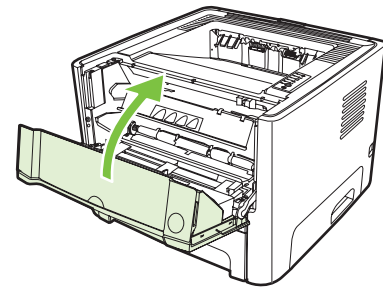
10



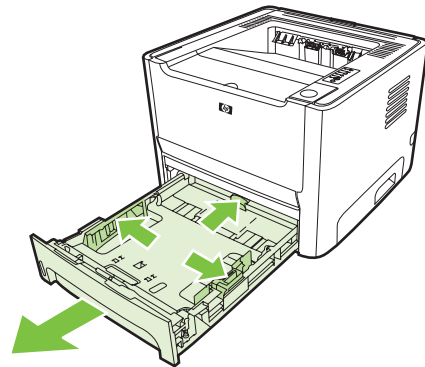
11



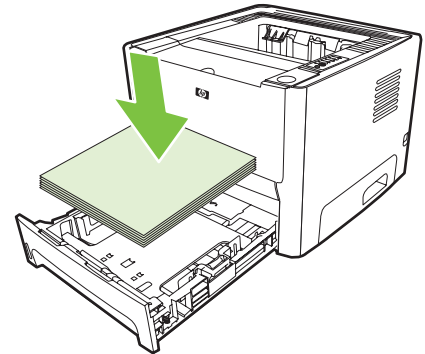
12



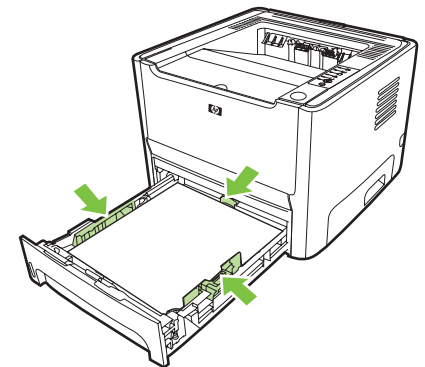
13



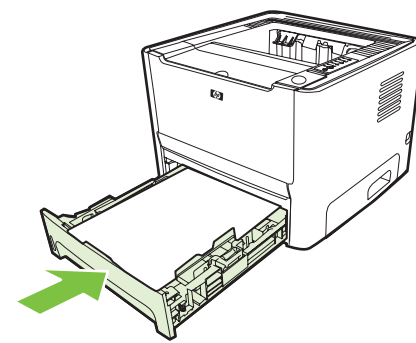
14



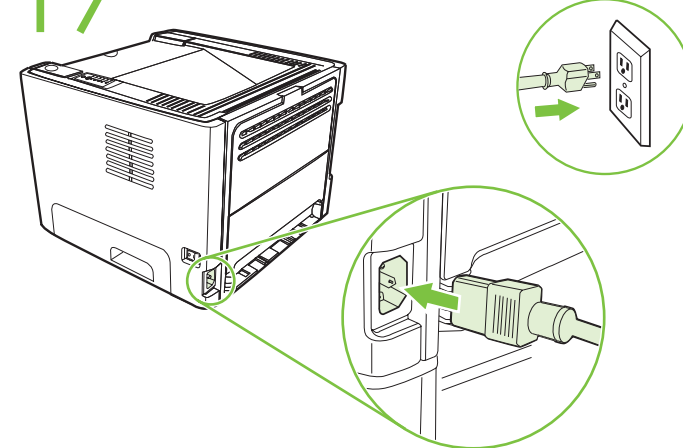
15



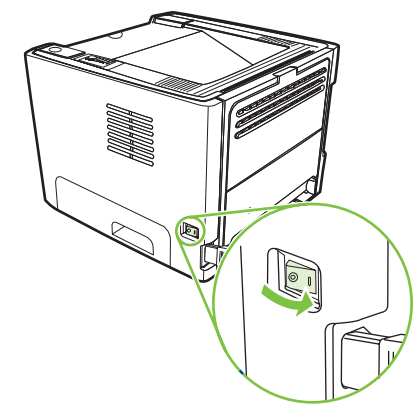
16



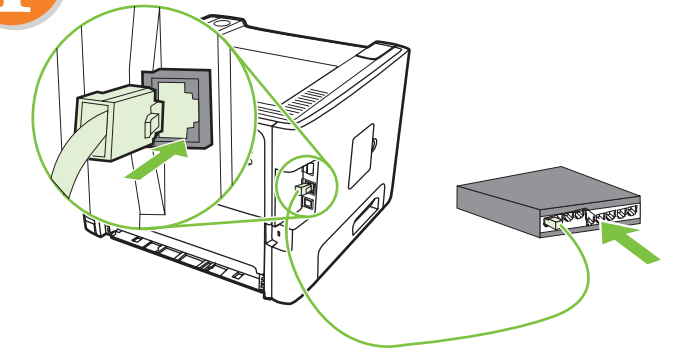
17



18



EtherNet (RJ-45)



USB

