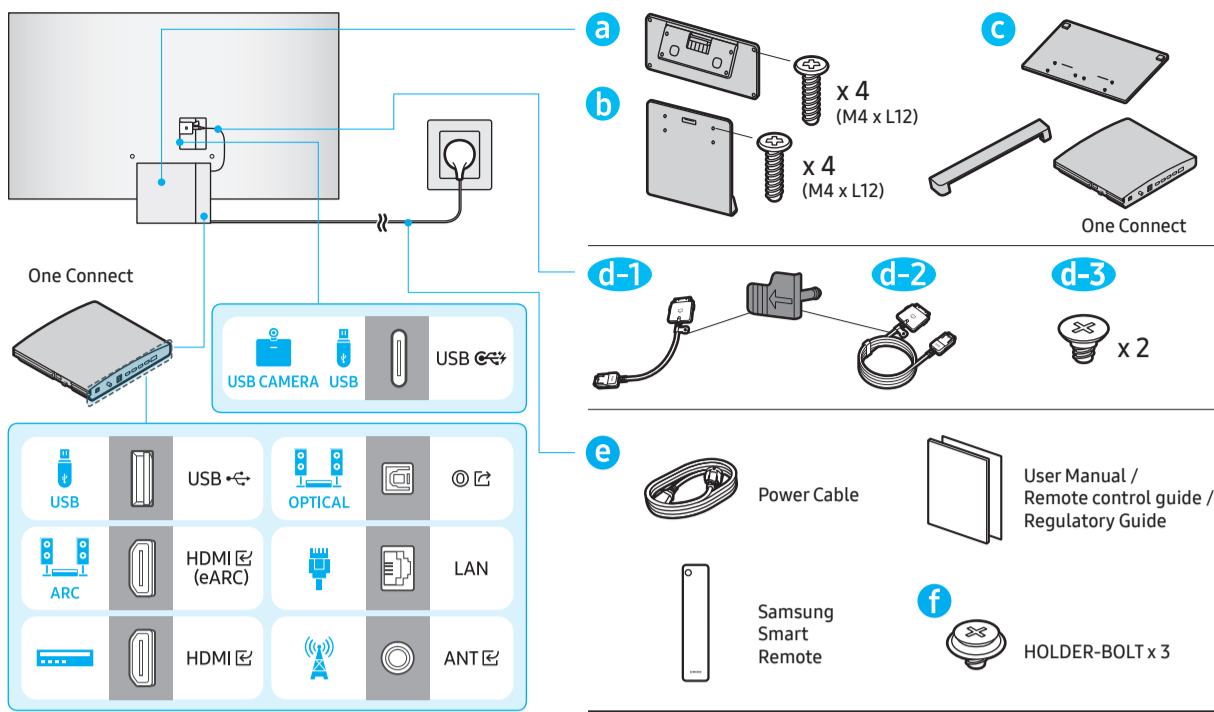
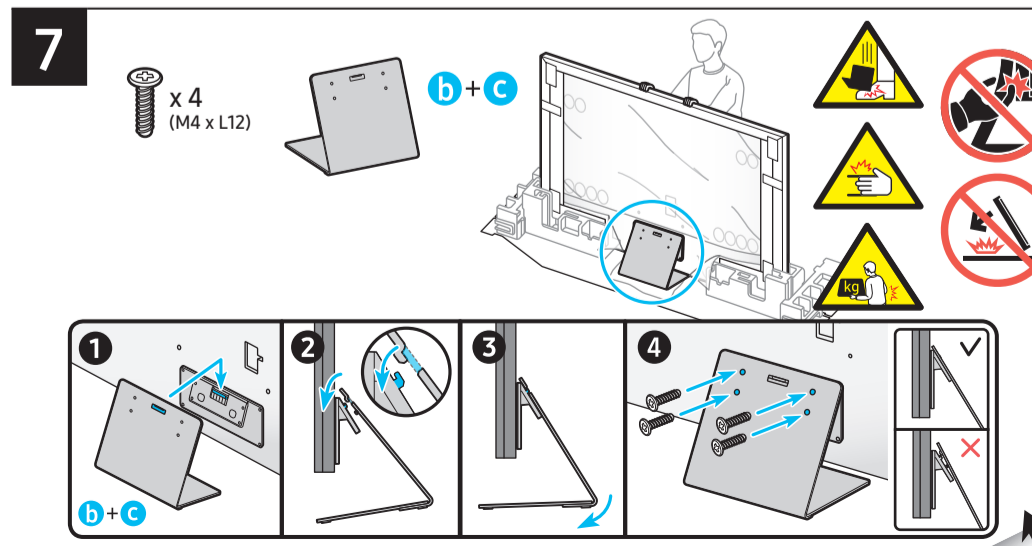
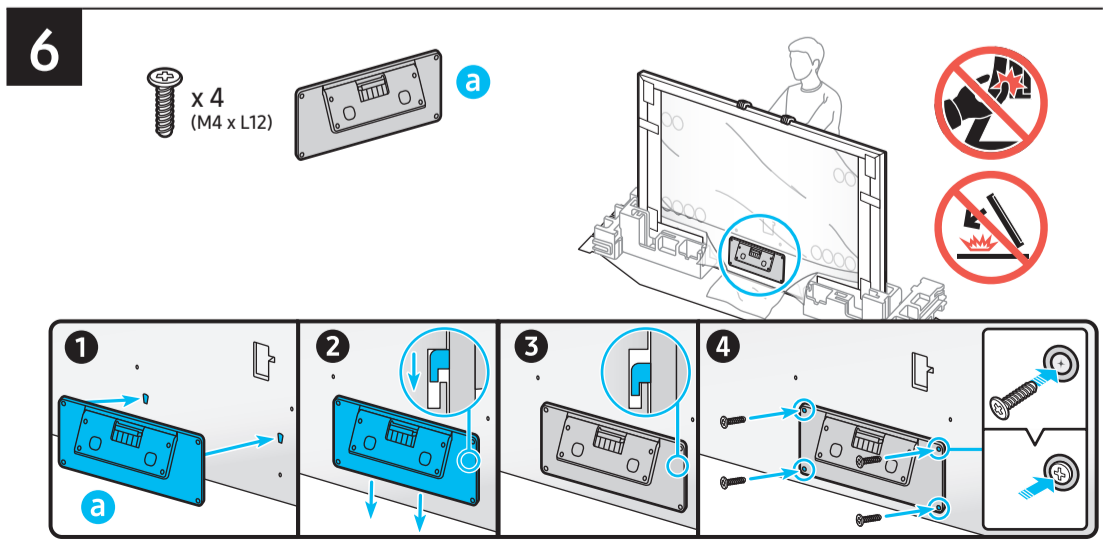
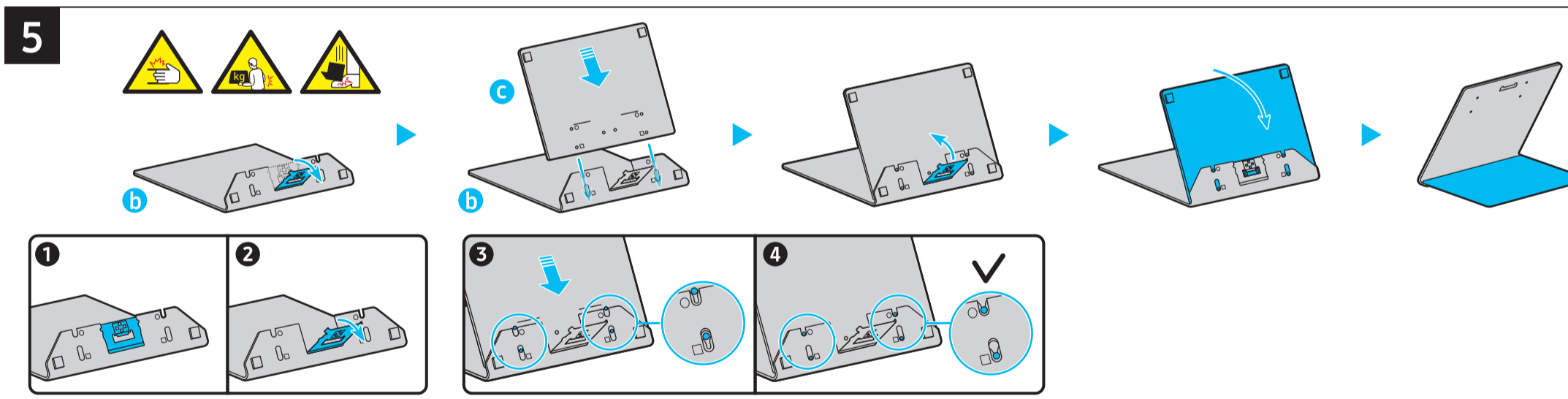
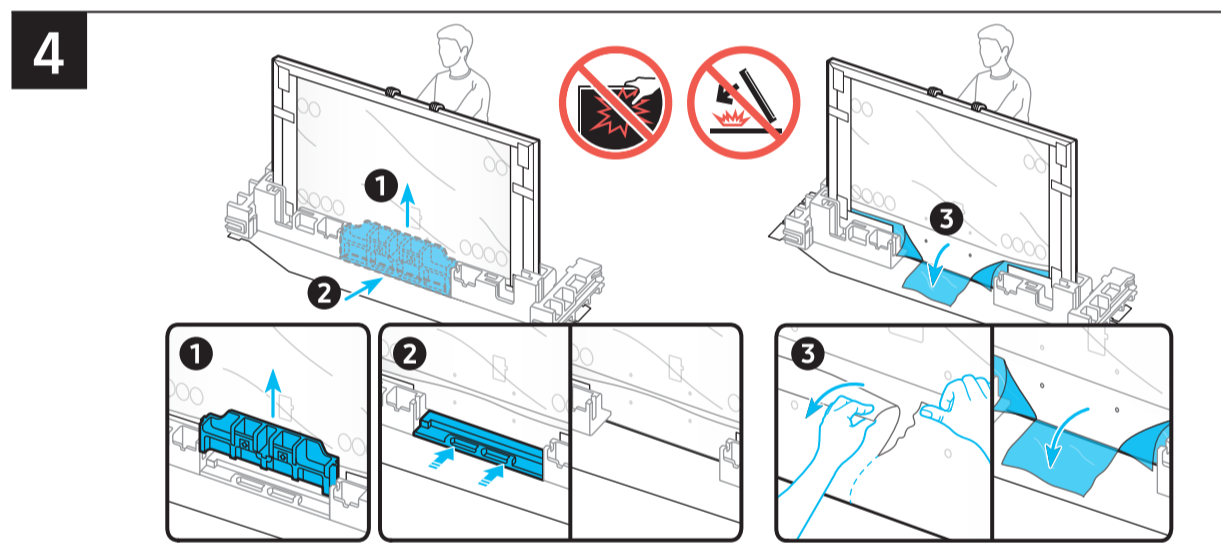
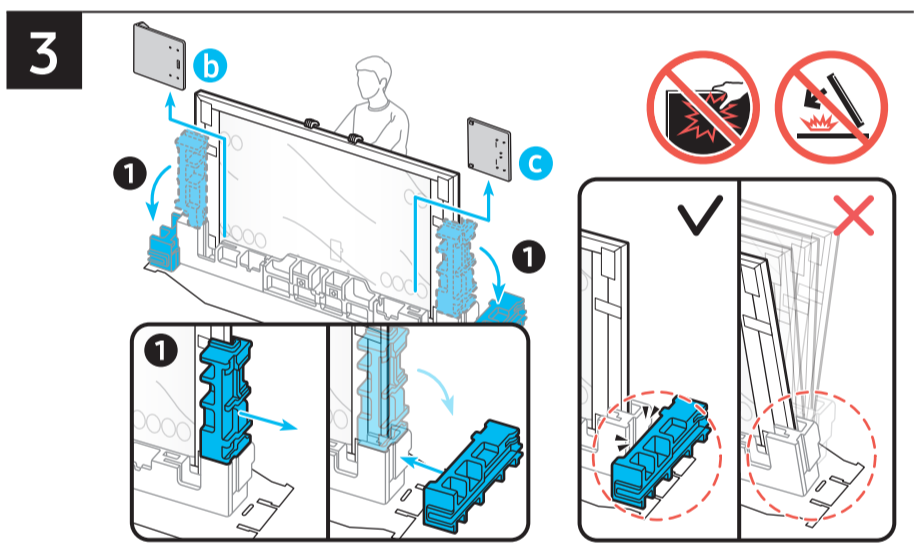
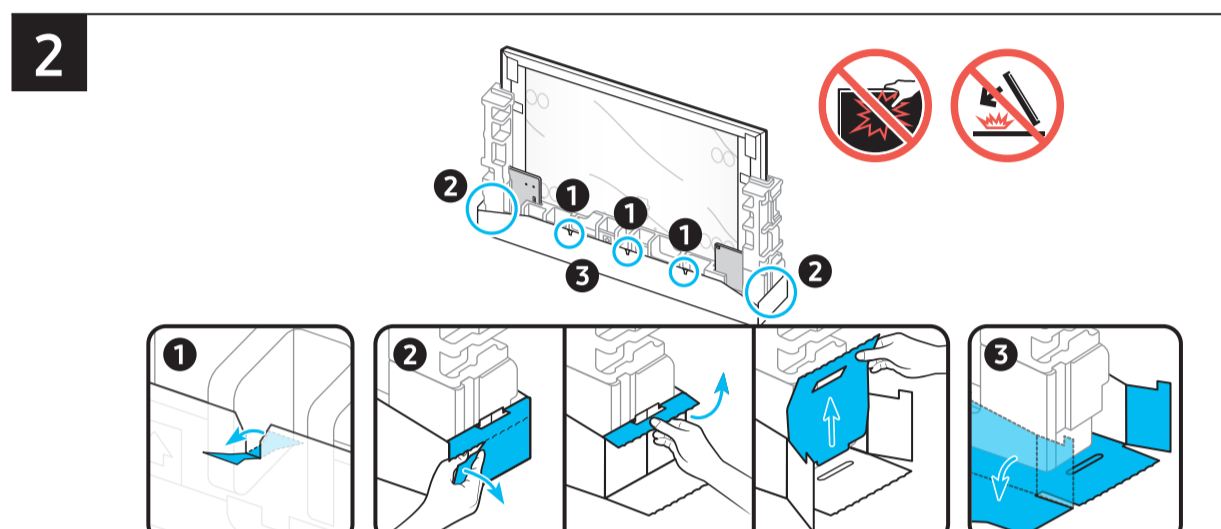
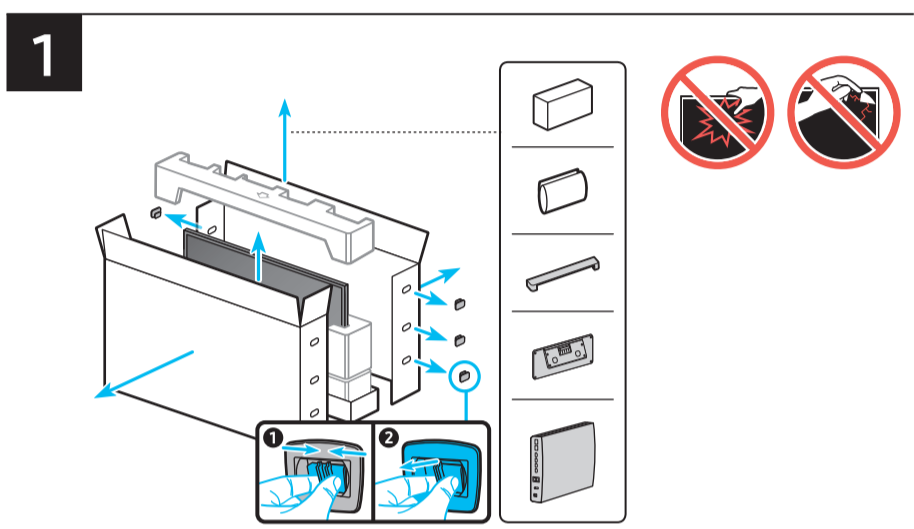


SAMSUNG

Unpacking and Installation Guide

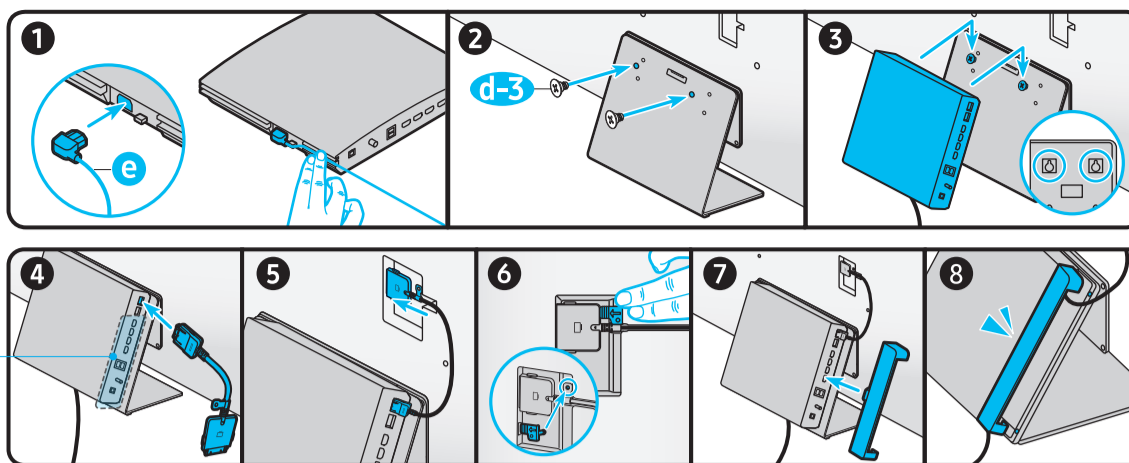
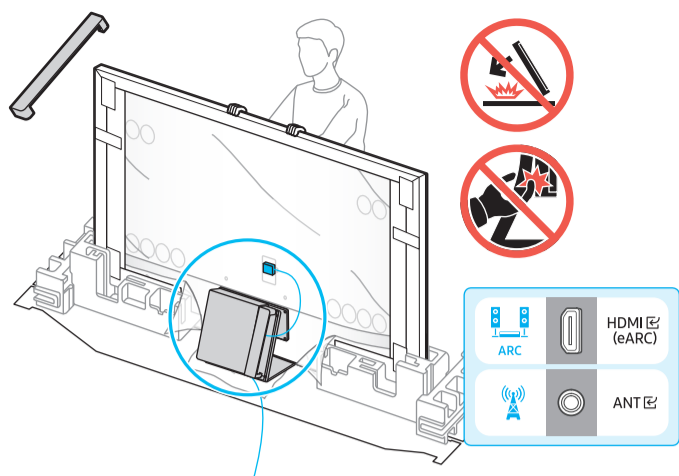


Scan this QR code with your smart phone to see helpful videos.

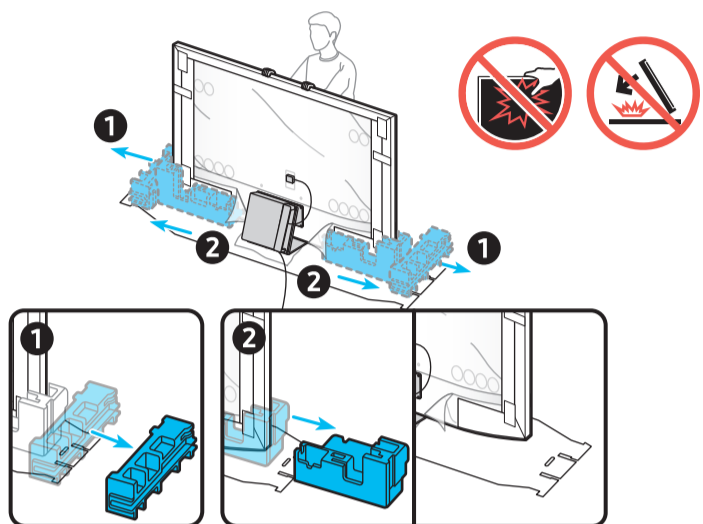


8

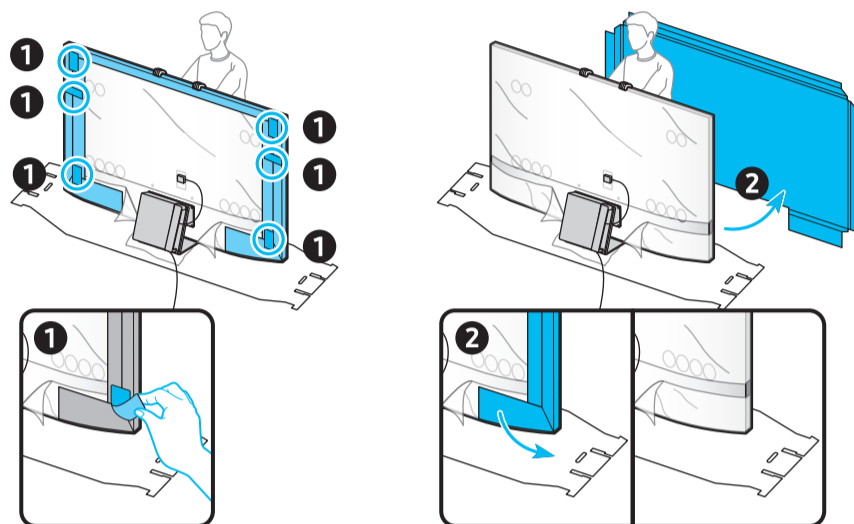
d-3
x2



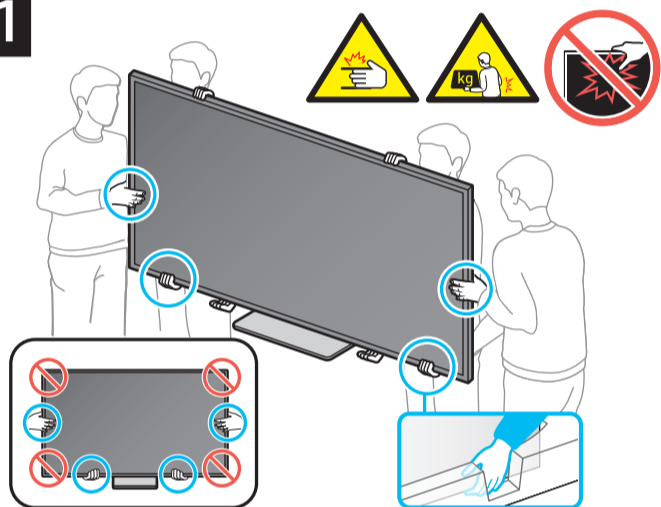
9



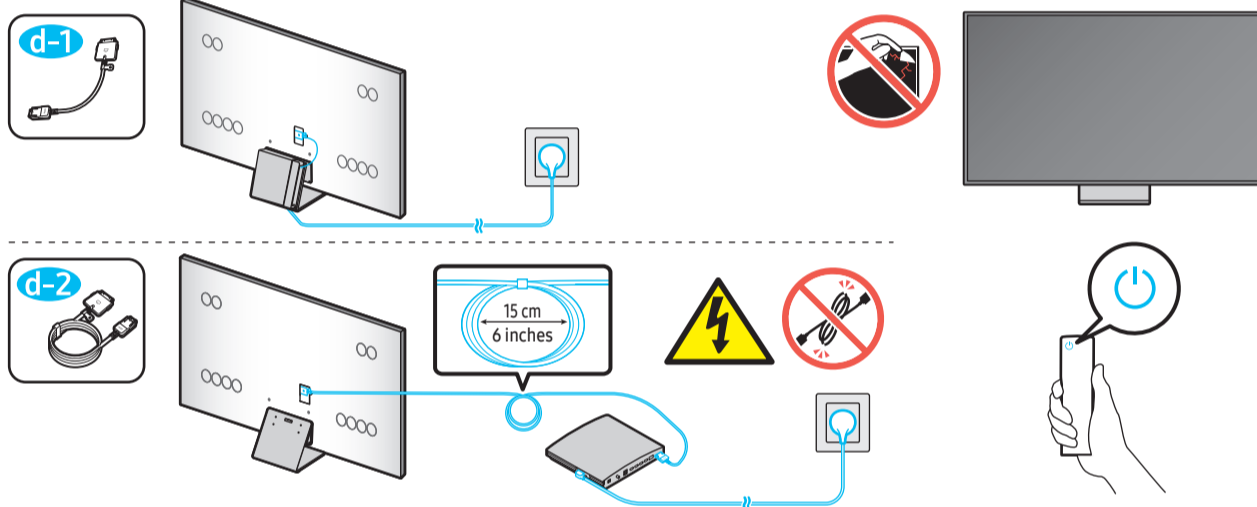
10



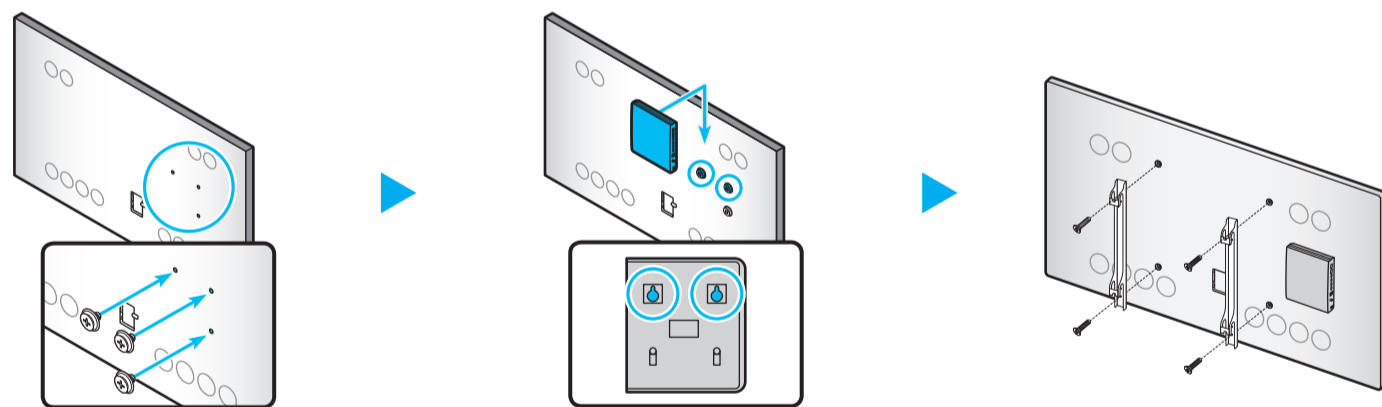
11



12

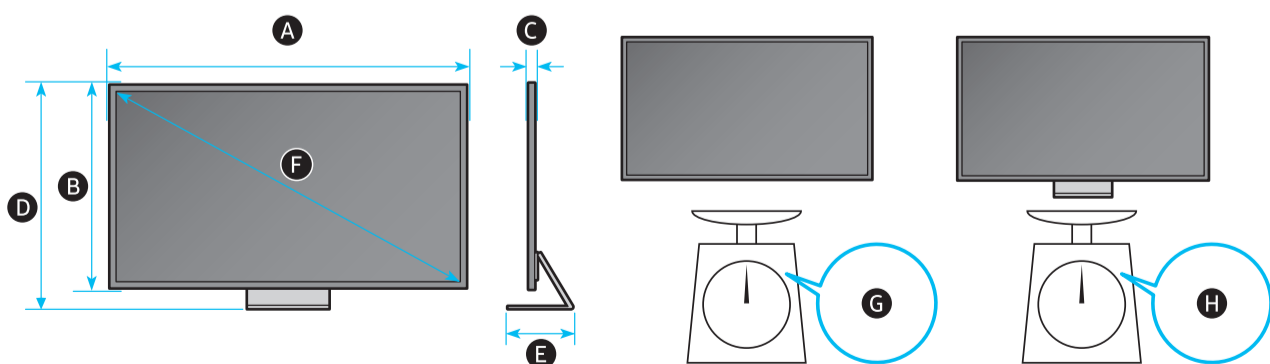


* When installing the TV as wallmount, You can place the One Connect Box as shown below.



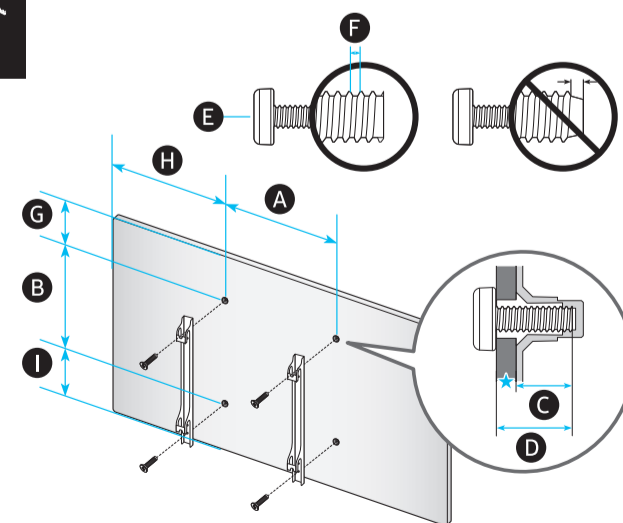
f HOLDER-BOLT x 3

⚠ When installing the TV as stand, Don't place the One Connect Box on back of the TV.



* : 0-9, A-Z

	A	B	C	D	E	F	G	H
98QN9**C	85.8 inches (2179.0 mm)	49.0 inches (1245.5 mm)	0.8 inches (19.9 mm)	51.8 inches (1316.4 mm)	14.6 inches (369.6 mm)	97.5 inches	150.0 lbs (68.0 kg)	190.7 lbs (86.5 kg)



* : 0-9, A-Z

★ : Wall-Mount Bracket

	VESA A x B (mm)	C (mm)	D	E x 4	F (mm)	G (inches)	H (inches)	I (inches)
98QN9**C	600 x 400	5-6	C + ★	M8	1.25	12.4	31.0	20.5