

DUAL-RTX2060-O6G

2X Fans, 2X Fun

ASUS Exclusive Innovations

■ 2.7 Slot Design

Sink your heat into this

We've increased our heatsink to 2.7 slot, and the overall surface area became 2X larger compared to last generation. Larger heatsink provided lower temperature while gaming.



■ Wing-blade 0dB Fan with IP5X Dust Resistance

Maximized airflow and prolonged longevity with a patented fan design. Also, 0dB Technology lets fans automatically stop when the GPU temperature is below 55 Celsius.



■ Protective Backplate

An aluminum backplate reinforces the graphics card to prevent PCB flex and trace damage



ASUS Features

OC
Edition

- **OC edition:**
1785 MHz GPU boost clock in OC mode for outstanding gaming experience.

6 GDDR6
GB
Memory

- **Gigantic 6GB GDDR6 Memory:**
On-board memory for the best gaming experience & the best resolution

GPU Tweak II
Real-time Graphics Tuning and Live Streaming

- **GPU Tweak II:**
GPU Tweak II helps you modify clock speeds, voltages, fan performance and more, all via an intuitive interface.



*Free 1-year premium XSplit Gamecaster (USD 99.95 /yr).
Six-month wfast premium license — a USD\$53.95 value — to let user enjoy online gaming that's free from lag, latency and lost packets.

Graphics GPU Features

NVIDIA G-SYNC™

- **NVIDIA® G-SYNC™ Technology**
For the smoothest and fastest gaming imaginable, eliminating screen tearing and minimizing display stutter and input lag.



- **NVIDIA® Ansel:**
Turn screenshots into art with 360, HDR, and Super-Res photos.

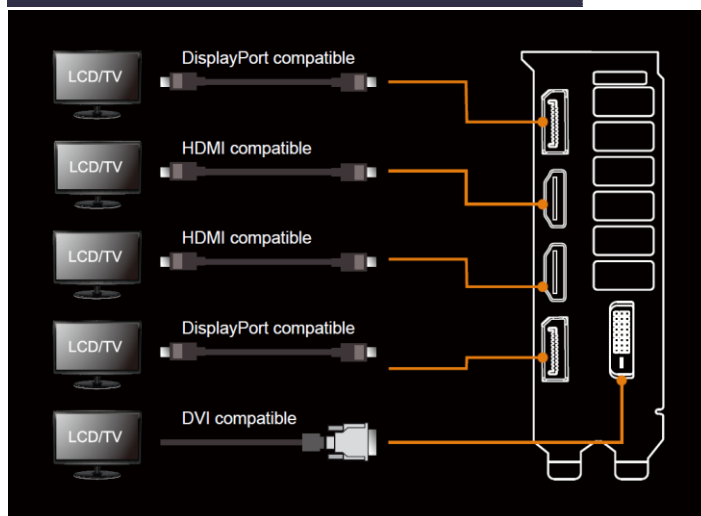


- **NVIDIA® Highlights:**
Automatically record your best gaming moments.

PCIe 3.0
2X Data Bandwidth

- **PCIe 3.0:**
Delivers double the bandwidth per lane of PCIe Gen 2 for faster GPU – CPU communication

I/O Specifications



Hardware Specification

Model	DUAL-RTX2060-O6G
Graphics Engine	NVIDIA® GeForce RTX™ 2060
CUDA cores	1920
OpenGL	OpenGL® 4.5
Engine Clock	OC mode : 1785 MHz (Boost Clock) 1365 MHz (Base Clock) Gaming mode : 1755 MHz (Boost Clock) 1365 MHz (Base Clock)
Memory Interface	192-bit
Video Memory	6GB GDDR6
Memory Clock	14000 MHz
Power Connector	1x 8 pin
I/O	2x Native HDMI 2.0b 2x Native DisplayPort 1.4 1x DVI-D
HDCP compliant	HDCP 2.2
Digital Max Resolution	7680 x 4320
Maximum Display Support	4
SLI / Crossfire Support	N/A
Recommended PSU	500 W
Accessory Bundled	N/A
Bus Standard	PCIe 3.0
Dimension	The card size is 10.63 x 4.37 x 2.28 inches 27.00 x 11.10 x 5.80 cm
Software Bundled	ASUS GPU Tweak II & Driver
Slot	2.7 slot
Note	<ul style="list-style-type: none"> ● Specifications are subject to change without notice. ● PCB color and bundled software versions are change without notice. ● Brand and product names mentioned are trademarks of their respective company.



