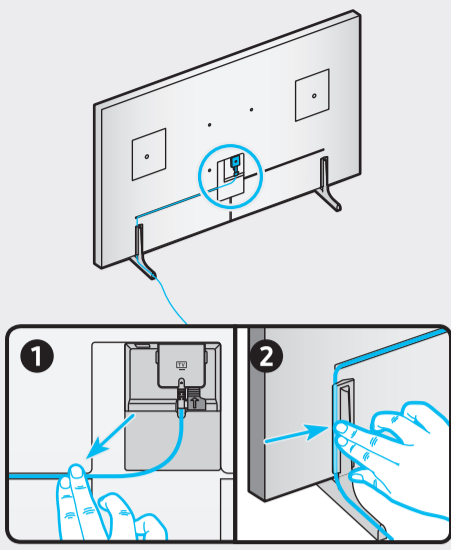
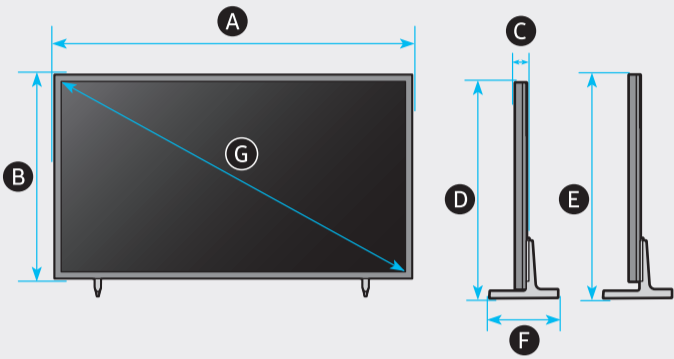
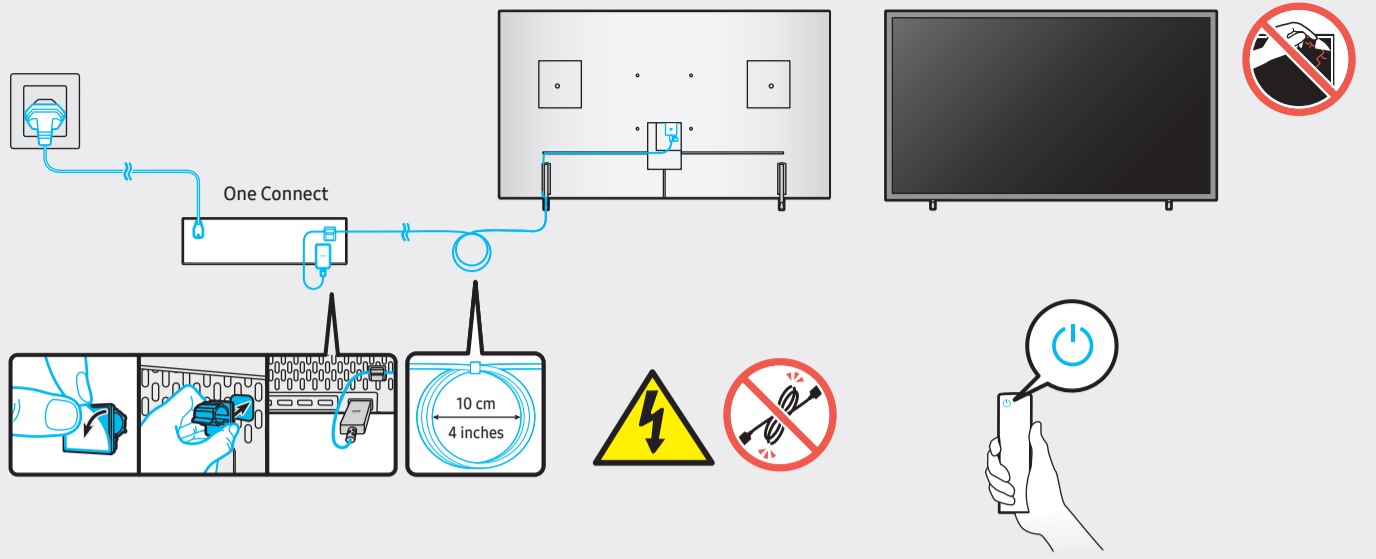


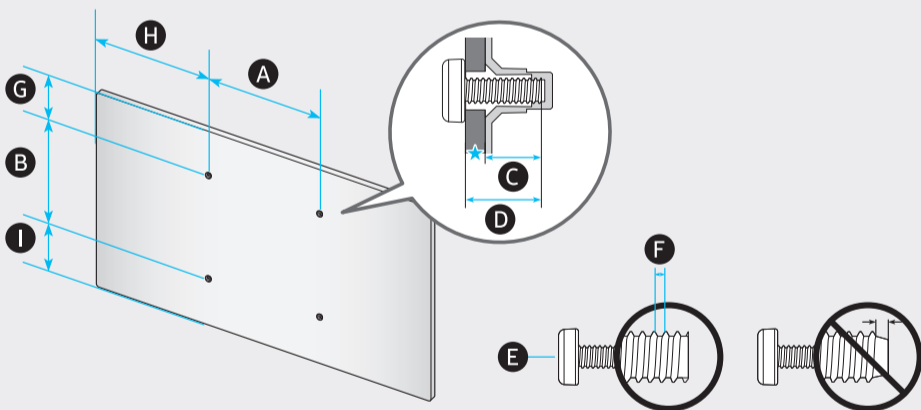
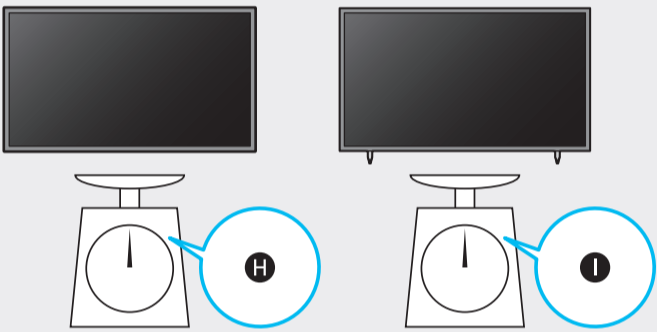
6



7



	A	B	C	D	E	F	G	H	I
QN75LS03B	66.2 inches (1682.3 mm)	37.8 inches (960.4 mm)	1.1 inches (26.9 mm)	39.3 inches (998.5 mm)	40.3 inches (1023.5 mm)	12.4 inches (315.8 mm)	74.5 inches	77.8 lbs (35.3 kg)	79.1 lbs (35.9 kg)
QN85LS03B	75.0 inches (1904.3 mm)	42.7 inches (1085.3 mm)	1.1 inches (26.9 mm)	44.2 inches (1122.4 mm)	45.2 inches (1147.4 mm)	13.7 inches (347.9 mm)	84.5 inches	98.1 lbs (44.5 kg)	100.1 lbs (45.4 kg)



	VESA A x B (mm)	C (mm)	D	E x 4	F (mm)	G (inches)	H (inches)	I (inches)
QN75LS03B	400 x 400	10-12	C + ★	M8	1.25	10.3	25.2	11.7
QN85LS03B	600 x 400					7.7	25.7	19.3

★: Wall-Mount Bracket

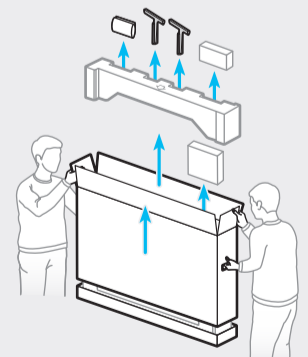
SAMSUNG

Quick Setup Guide (Unpacking and Installation Guide)



Scan this QR code with your smart phone to see helpful videos.

75"



85"

