

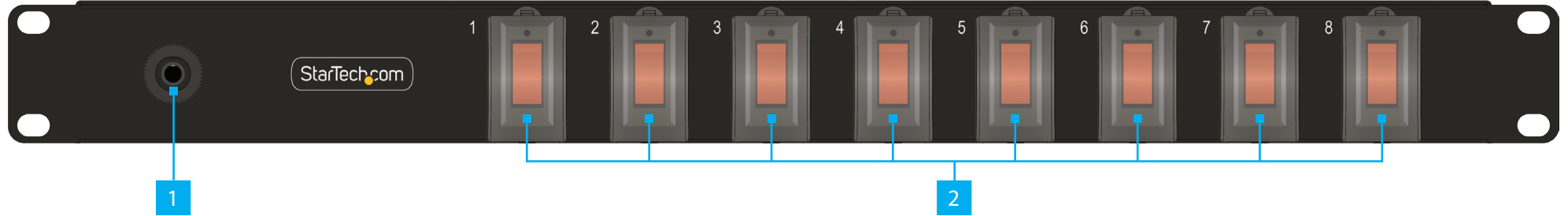
8-Outlet 1U Rack-Mount PDU - Individual Outlet Switches - Circuit Breaker

Product ID

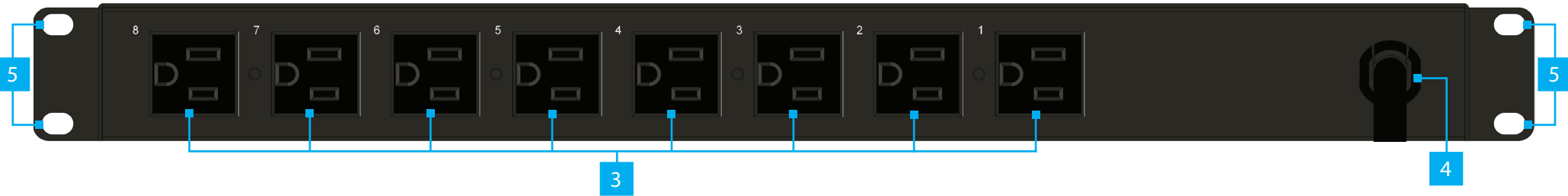
8NS8-RACK-MOUNT-PDU

Product Diagram

Front



Rear



Package Contents

- Rack-Mount PDU x 1
- Quick-Start Guide x 1

Requirements

- Available AC Power Source (NEMA 5-15R Outlet)
- Available 1U of EIA-310 Compliant Rack Space
- 4x Cage Nuts (If the 1U of Rack-Space Features Square Mounting Holes)
- 4x Cabinet Screws

For the latest drivers, manuals, product information, technical specifications, and declarations of conformance, please visit: www.StarTech.com/8NS8-RACK-MOUNT-PDU

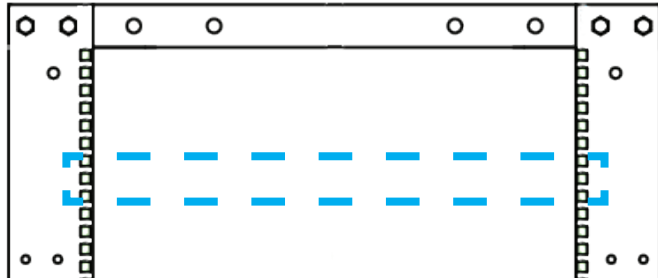
	Component	Function
1	Circuit Breaker	<ul style="list-style-type: none"> • Turns-Off All Power, in the Event of a Power Surge • 15A Tripping Point • Push to Reset
2	Power Switches with LEDs & Switch Covers (x8)	<ul style="list-style-type: none"> • Turns the Corresponding Outlet On or Off • Remove Cover to Access Switch • Illuminates Red When the Corresponding Outlet is Turned On
3	Outlets (x8)	<ul style="list-style-type: none"> • Connects to an AC Input on Downstream Device(s) • NEMA 5-15R Connector • 125V AC / 15A
4	Built-in Power Cable	<ul style="list-style-type: none"> • Connect to an AC Power Source • NEMA 5-15P Connector • 125V AC / 15A
5	Built-in 19in Mounting Brackets (x2)	<ul style="list-style-type: none"> • Mounts the PDU into 1U of Rack Space • EIA-310 Compliant

Installation

Installing the PDU into 19in EIA-310 Compliant Rack Space

1. Locate a suitable location, in the **EIA-310 Compliant Rack Space**, to mount the **PDU**.

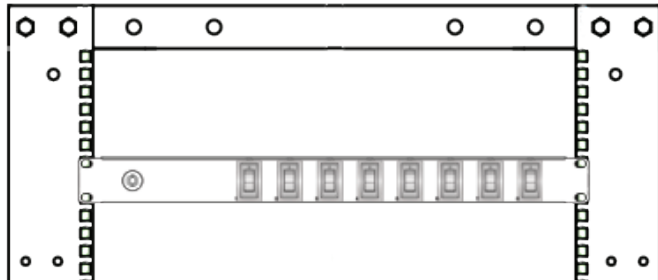
Note: The **PDU** itself requires 1U of rack-space.



2. If the **EIA-310 Compliant Rack Space** uses square mounting holes, install **Cage Nuts** (not included) into the square mounting holes on the **1U of EIA-310 Compliant Rack Space**.

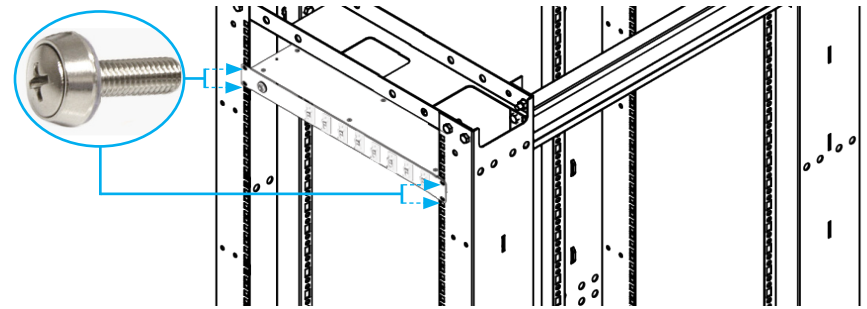


3. Place the **PDU** into the rack-space and align the mounting holes on the **Built-in 19in Mounting Brackets** with the mounting points on the rack space (e.g. the cage nuts, if used).



4. Use **Cabinet Screws** (not included) to secure the **PDU** to the rack. If not using cage nuts or M5/M6 threaded rack posts, the appropriate mounting hardware for the rack should be used.

Note: Ensure the screws are properly tightened and the **PDU** has no movement.



The **PDU** is now installed into the 19in **EIA-310 Compliant Rack Space**.

Connecting the PDU to an AC Power Source and Downstream AC Device(s)

1. Connect the **Built-in Power Cable**, on the **Rack-Mount PDU**, to an **Available AC Power Source (NEMA 5-15R Outlet)**.
2. Connect the AC input, on the downstream device(s), to an available **Outlet**, on the **Rack-Mount PDU**.

The **Rack-Mount PDU** is now connected to an AC power source and Downstream device(s).

Use of Trademarks, Registered Trademarks, and other Protected Names and Symbols

This manual may make reference to trademarks, registered trademarks, and other protected names and/or symbols of third-party companies not related in any way to StarTech.com. Where they occur these references are for illustrative purposes only and do not represent an endorsement of a product or service by StarTech.com, or an endorsement of the product(s) to which this manual applies by the third-party company in question. StarTech.com hereby acknowledges that all trademarks, registered trademarks, service marks, and other protected names and/or symbols contained in this manual and related documents are the property of their respective holders.

StarTech.com Ltd.
45 Artisans Cres
London, Ontario
N5V 5E9
Canada

StarTech.com LLP
2500 Creekside
Parkwy
Lockbourne, Ohio
43137
U.S.A.

StarTech.com Ltd.
Unit B, Pinnacle 15
Gowerton Rd,
Brackmills
Northampton
NN4 7BW
United Kingdom

FR: fr.startech.com
DE: de.startech.com
ES: es.startech.com
NL: nl.startech.com
IT: it.startech.com
JP: jp.startech.com

Warranty Information

This product is backed by a two-year warranty.

For further information on product warranty terms and conditions, please refer to www.startech.com/warranty.

Limitation of Liability

In no event shall the liability of StarTech.com Ltd. and StarTech.com USA LLP (or their officers, directors, employees or agents) for any damages (whether direct or indirect, special, punitive, incidental, consequential, or otherwise), loss of profits, loss of business, or any pecuniary loss, arising out of or related to the use of the product exceed the actual price paid for the product. Some states do not allow the exclusion or limitation of incidental or consequential damages. If such laws apply, the limitations or exclusions contained in this statement may not apply to you.

Safety Measures

- If product has an exposed circuit board, do not touch the product under power.

Mesures de sécurité

- Si l'un des circuits imprimés du produit est visible, ne pas touchez le produit lorsqu'il est sous tension.

安全対策

- 製品に露出した状態の回路基盤が含まれる場合、電源が入っている状態で製品に触らないでください。

Misure di sicurezza

- Se il prodotto ha un circuito stampato visibile, non toccare il prodotto quando è acceso.

Säkerhetsåtgärder

- Rör aldrig vid enheter med oskyddade kretskort när strömmen är påslagen.