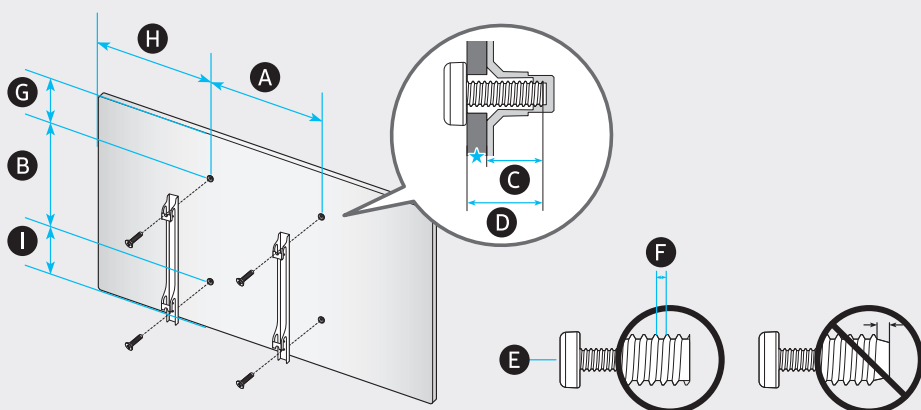
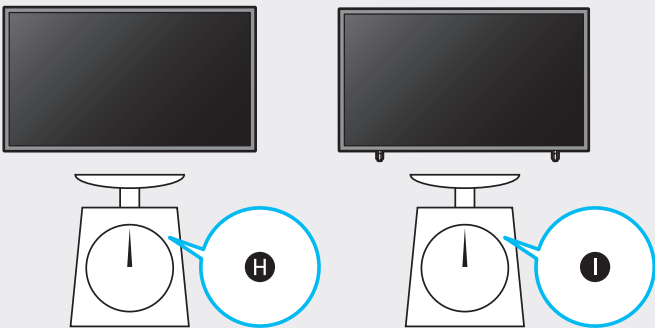


	A	B	C	D	E	F	G	H	I
QN75Q6*B	66.0 inches (1676.7 mm)	37.8 inches (959.8 mm)	1.0 inches (26.6 mm)	39.3 inches (997.3 mm)	40.2 inches (1022.3 mm)	12.6 inches (320.0 mm)	74.5 inches	69.2 lbs (31.4 kg)	70.5 lbs (32.0 kg)
QN85Q6*B	74.8 inches (1900.9 mm)	42.7 inches (1085.7 mm)	1.1 inches (26.9 mm)	44.2 inches (1123.3 mm)	45.2 inches (1148.3 mm)	13.6 inches (345.1 mm)	84.5 inches	91.5 lbs (41.5 kg)	93.7 lbs (42.5 kg)

*: 0-9, A-Z



	VESA A x B (mm)	C (mm)	D	E x 4	F (mm)	G (inches)	H (inches)	I (inches)
QN75Q6*B	400 x 400	11-13	C + ★	M8	1.25	10.2	25.1	11.8
QN85Q6*B	600 x 400					7.6	25.6	19.4

*: 0-9, A-Z

★: Wall-Mount Bracket

SAMSUNG

Quick Setup Guide (Unpacking and Installation Guide)

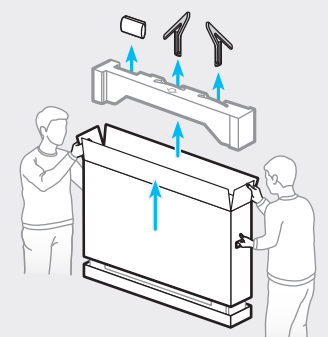


BN68-13690A-02

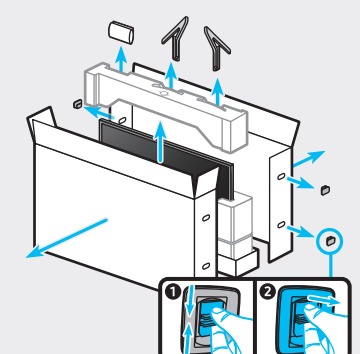


◀ Scan this QR code with your smart phone to see helpful videos.

75"

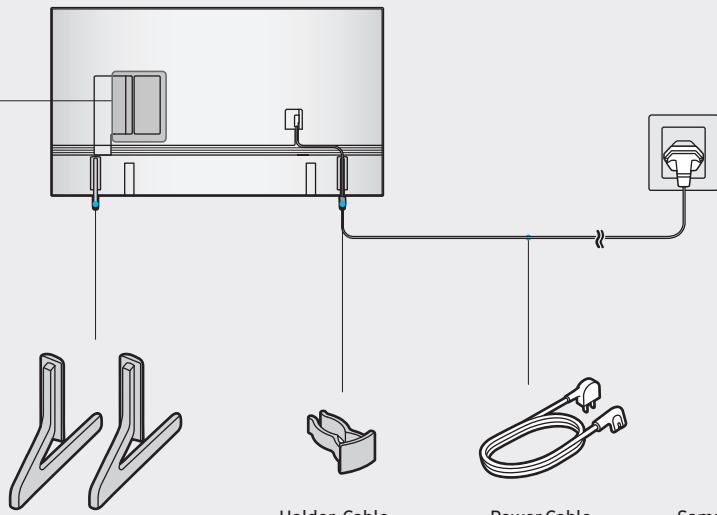


85"





	USB		USB +G
	OPTICAL		
	ARC		HDMI (eARC)
			HDMI
			LAN
			ANT



Holder-Cable

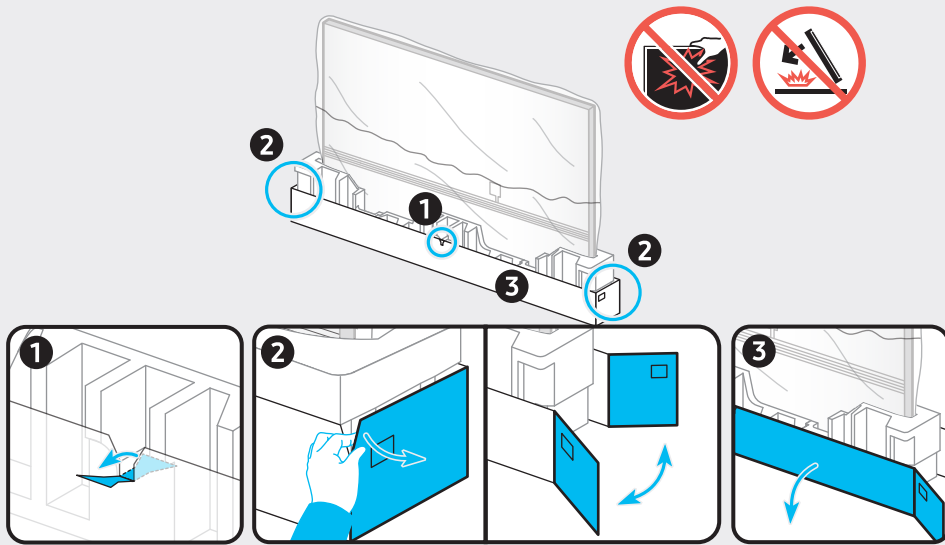
Power Cable

Samsung Smart Remote

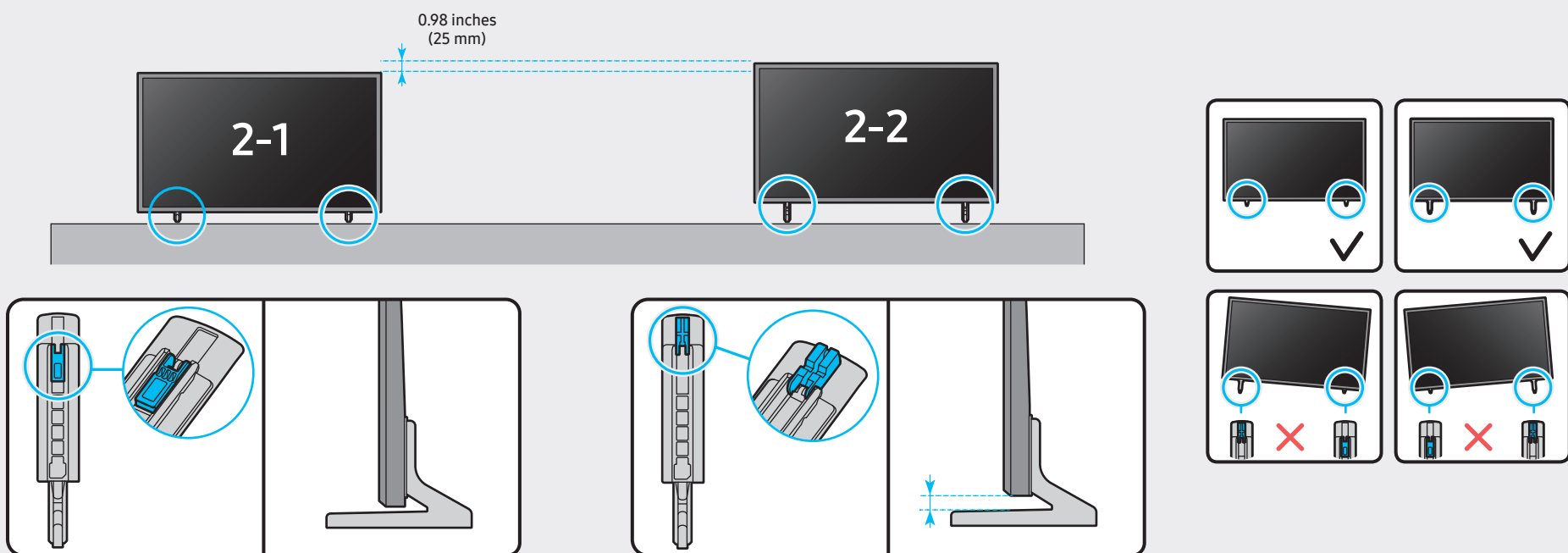
User Manual / Regulatory Guide



1



2



3

