

WL30-750BL16

NEOMOUNTS HEAVY DUTY TV WALL MOUNT

SPECIFICATIONS

GENERAL

Min. screen size*	42 inch
Max. screen size*	86 inch
Max. weight	125 kg (per screen)
Screens	1
VESA minimum	100x100 mm
VESA maximum	600x400 mm
Distance to wall	4,2 cm

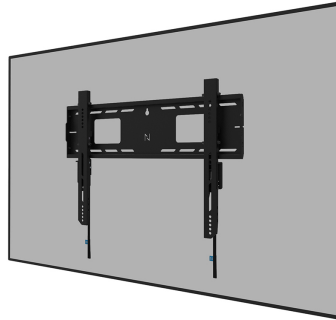
FUNCTIONALITY

Type	Fixed
Height adjustment	1 cm
Lockable	Lockable - Padlock not included
Height	48,4 cm
Width	68,6 cm
Depth	4,2 cm
Adjustment type	Manual

INFORMATION

Color	Black
Main material	Steel
Warranty	5 year
EAN code	8717371443269

*Please note: The inch sizes stated are just an indication, combined with the weight and VESA sizes. The maximum weight and VESA size are absolute restrictions for the products and should not be exceeded.



Neomounts



Neomounts

Neomounts WL30-750BL16 fixed wall mount for 42-86" screens - Black

The Neomounts WL30-750BL16 LEVEL is the ultimate solution for securely mounting an interactive or heavy weight display up to 86" with a maximum capacity of 125 kg. This heavy-duty wall mount features a high profile wall plate and is engineered for stability and precision, ensuring your screen is securely mounted even on uneven surfaces. The wall mount is designed to provide the sturdiest and most stable touch screen experience. The brackets of the WL30-750BL16 feature depth adjustable wall supports on the lower brackets for better weight distribution and maximum stability. The mount features individual adjustable brackets (10 mm) for securely adjusting the display height or levelling it.

The LEVEL-750 wall mount has a profile depth of 4,2 cm and is suitable for screens that meet VESA hole pattern 100x100 to 600x400 mm. Its quickly connectable wall plate allows for multiple screen mounting, while a clever kickstand service position provides easy access to cables and connectors. Additionally, the wall plate is designed with specific cut-outs for wall sockets and securing devices and cables. It features various perforated holes for easy tie-wrap cable fixing and provides space for cable storage, ensuring a clean and tidy finishing.

The WL30-750BL16 includes an safe and practical pull & release system, allowing you to quickly attach and detach the display in a safe and secure manner. It is possible to lock the brackets using a padlock (not included) for extra screen security.

For simple and effective storage, an optionally available AV-rack can be installed to the left or right side of the mount.